



US00D409461S

United States Patent [19]
Kiefer

[11] **Patent Number: Des. 409,461**

[45] **Date of Patent: ** May 11, 1999**

[54] **COMBINATION SANDTRAP RAKE AND GREENS BRUSH**

[75] Inventor: **Alan Kiefer**, West Caldwell, N.J.

[73] Assignee: **Kiefer Brush, Inc.**, West Caldwell, N.J.

[**] Term: **14 Years**

[21] Appl. No.: **29/094,893**

[22] Filed: **Oct. 13, 1998**

[51] **LOC (6) Cl.** **08-01**

[52] **U.S. Cl.** **D8/13; D4/119; D4/136**

[58] **Field of Search** **D8/13; 56/400.1, 56/400.04-400.21; D4/136, 119-120**

[56] **References Cited**

U.S. PATENT DOCUMENTS

D. 262,671	1/1982	Erickson	D4/136
D. 310,619	9/1990	Schade	D8/13
D. 372,128	7/1996	Beach	D4/116
D. 373,056	8/1996	Hueber	D8/13
D. 393,191	4/1998	Latto	D8/13

D. 397,592 9/1998 Widmer D8/13

Primary Examiner—Holly Baynham
Attorney, Agent, or Firm—Siegmar Silber, Esq.

[57] **CLAIM**

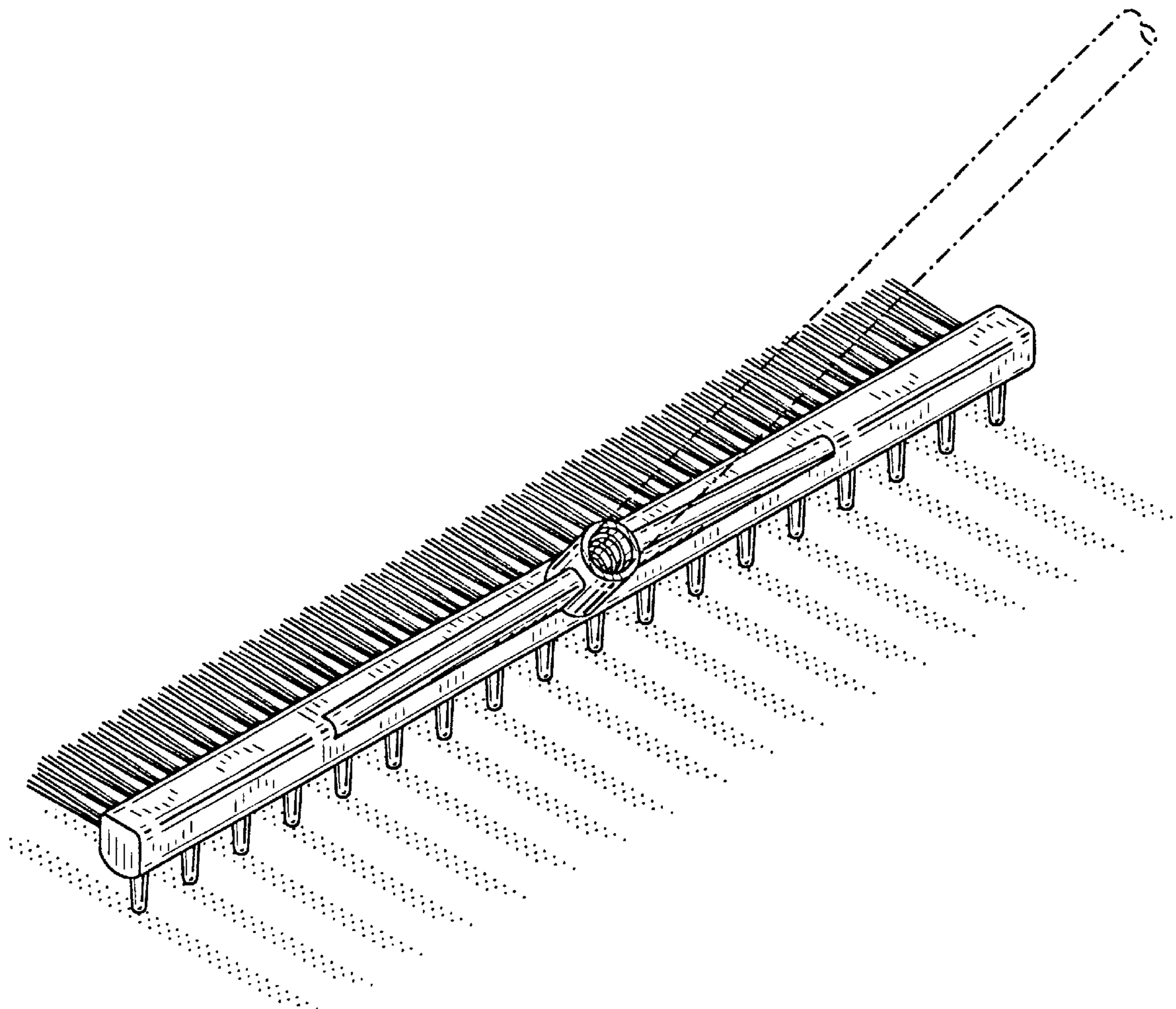
The ornamental design for a combination sandtrap rake and greens brush, as shown and described.

DESCRIPTION

FIG. 1 is a perspective view of the combination sandtrap rake and greens brush of this invention; FIG. 2 is a front elevational view of FIG. 1; FIG. 3 is a top side elevational view of FIG. 1; FIG. 4 is a rear elevational view of FIG. 1; FIG. 5 is a bottom elevational view of FIG. 1; and, FIG. 6 is a left side elevational view of FIG. 1, the right side elevational view not being shown as such view is a mirror image hereof.

The broken line showing of a partial handle shaft in FIGS. 1-6 and sand is for illustrative purposes only and forms no part of the claimed design.

1 Claim, 2 Drawing Sheets



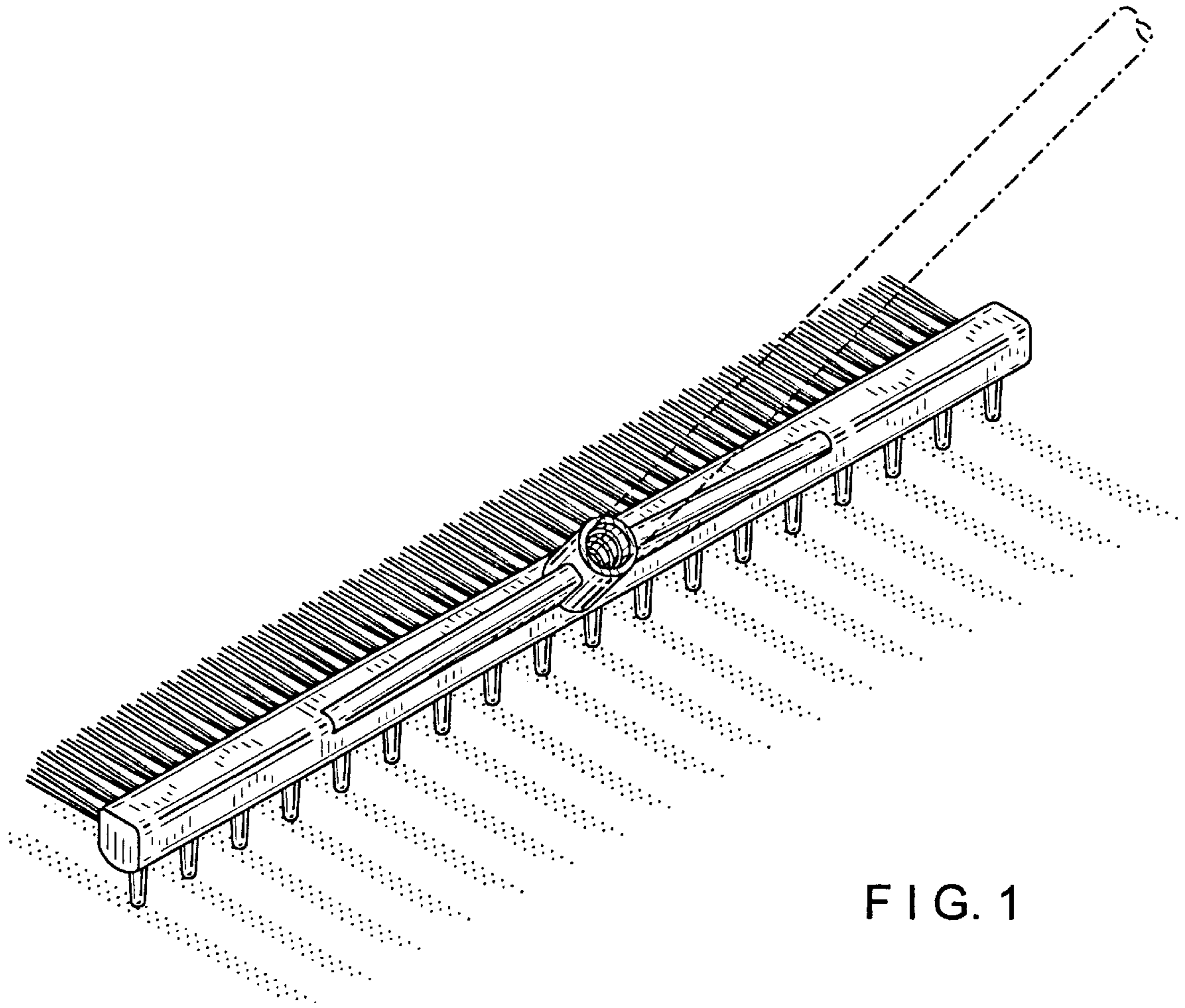


FIG. 1

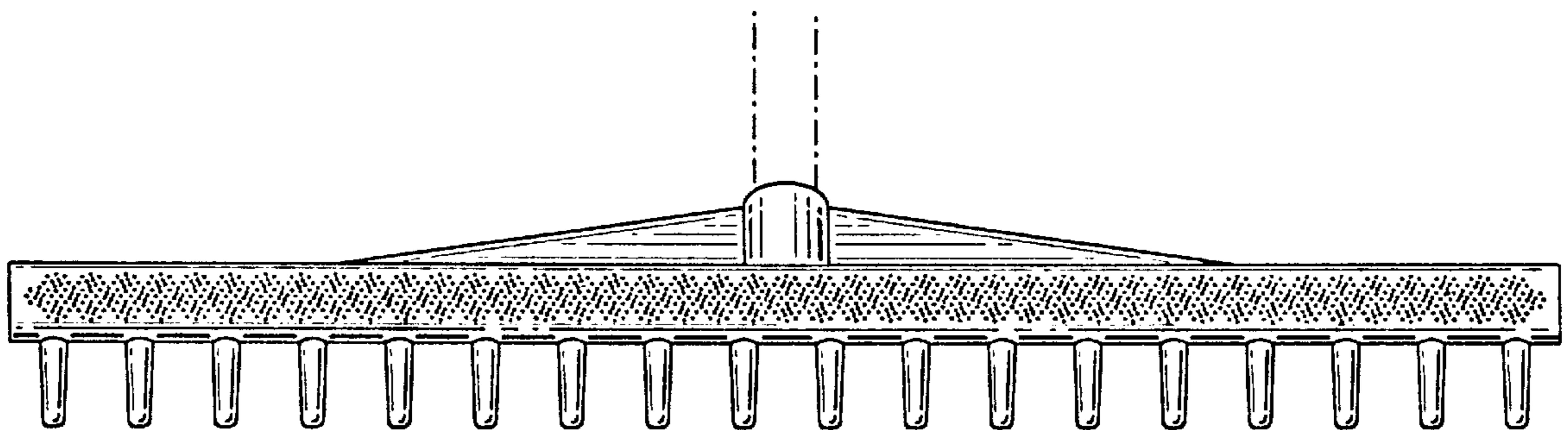


FIG. 2

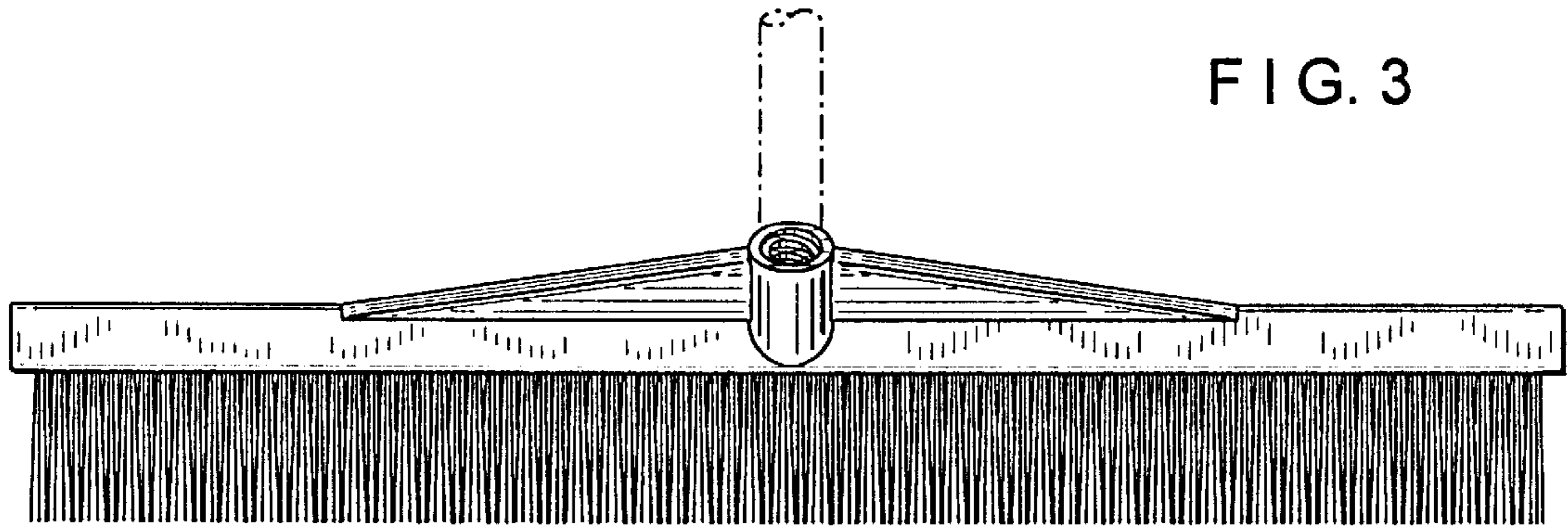


FIG. 3

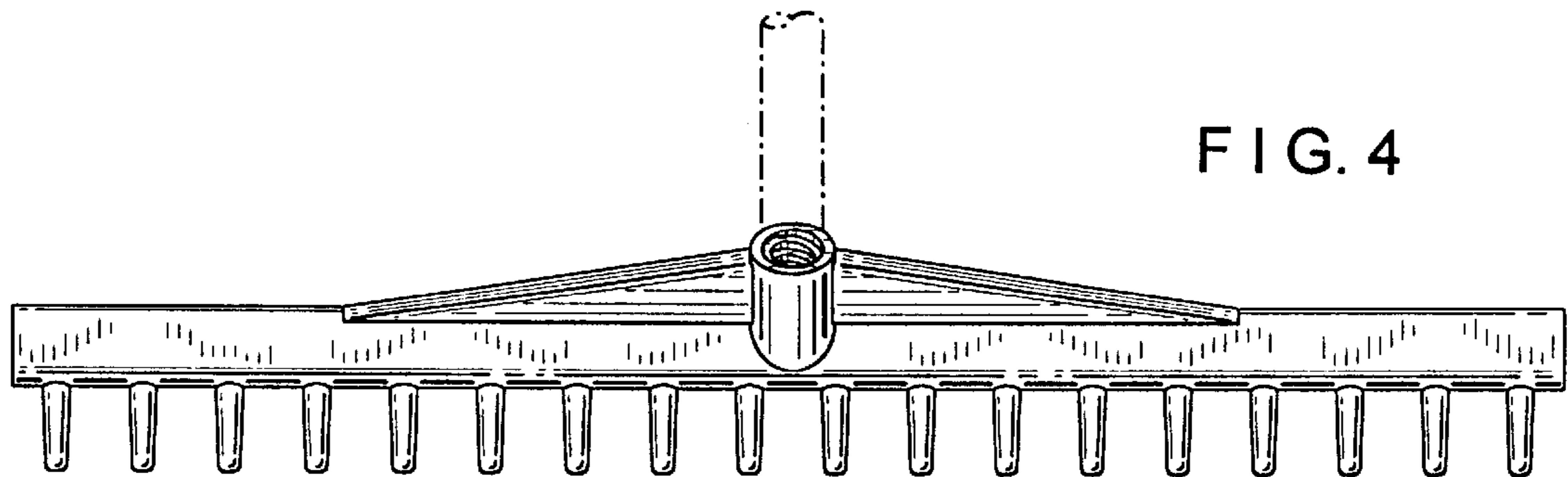


FIG. 4

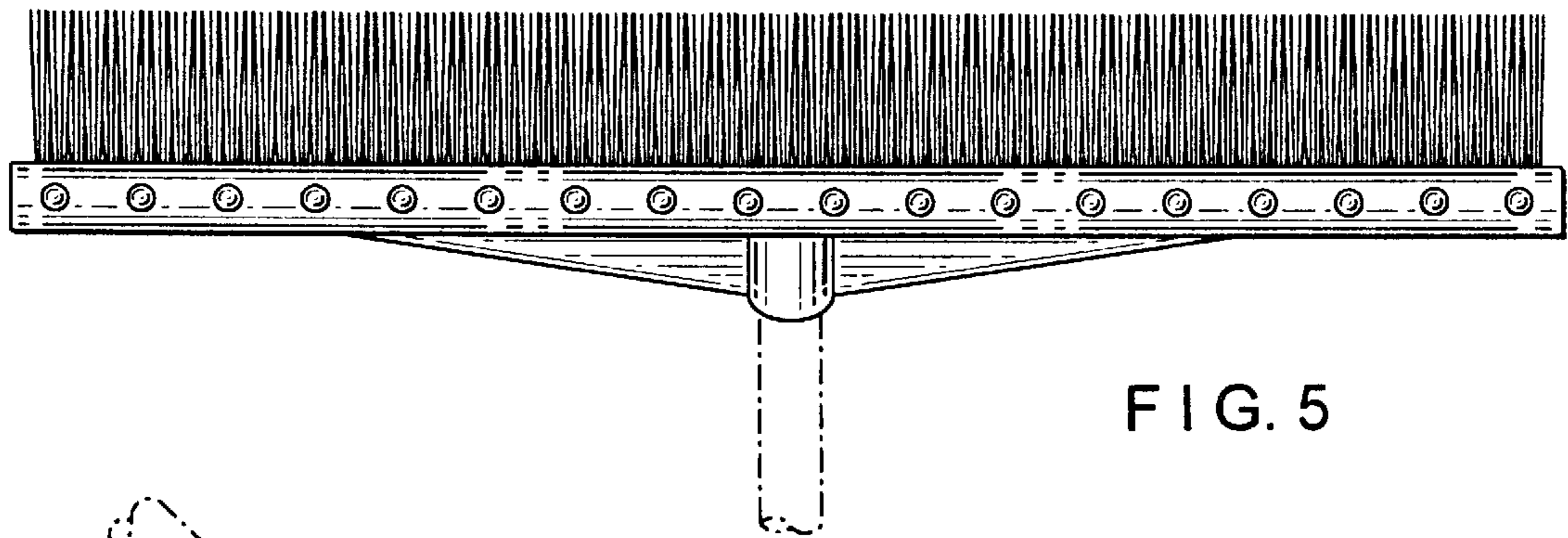


FIG. 5

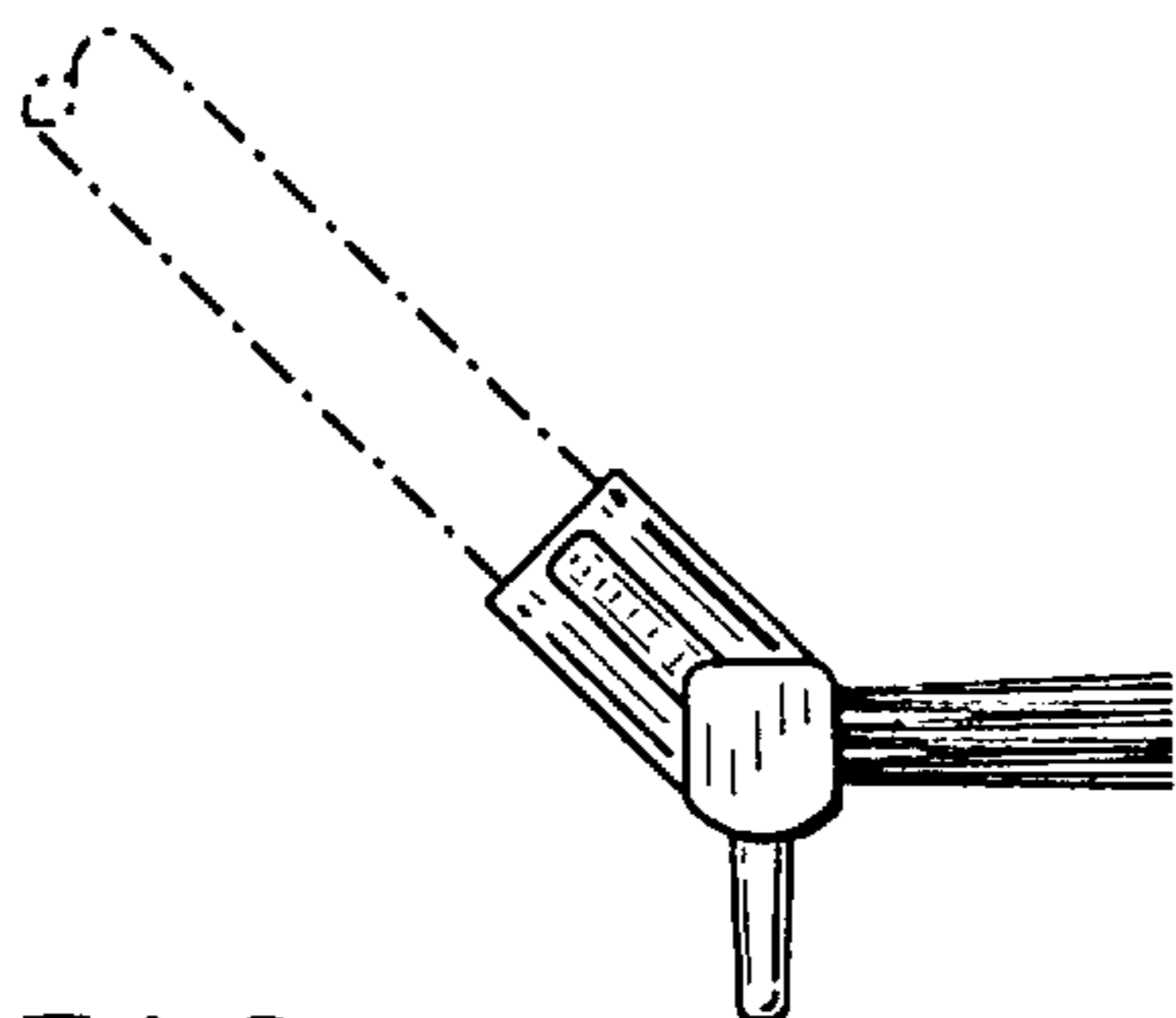


FIG. 6