



US00D409460S

**United States Patent** [19]  
**Robinson**

[11] **Patent Number: Des. 409,460**

[45] **Date of Patent: \*\* May 11, 1999**

[54] **BI-FUNCTIONAL RAKE**

[76] Inventor: **Joel M. Robinson**, 18437 Prairie St.,  
Northridge, Calif. 91325

[\*\*] Term: **14 Years**

[21] Appl. No.: **29/091,936**

[22] Filed: **Aug. 10, 1998**

[51] **LOC (6) Cl.** ..... **08-01**

[52] **U.S. Cl.** ..... **D8/13**

[58] **Field of Search** ..... D8/13; 56/400.01,  
56/400.04-400.21

[56] **References Cited**

**U.S. PATENT DOCUMENTS**

- D. 298,725 11/1988 Sunila et al. .... D8/13
- D. 350,052 8/1994 Sun ..... D8/13
- 4,744,208 5/1988 King ..... 56/400.17

*Primary Examiner*—Holly Baynham  
*Attorney, Agent, or Firm*—Albert O. Cota

[57] **CLAIM**

The ornamental design for a bi-functional rake, as shown and described.

**DESCRIPTION**

FIG. 1 is a top plan view of a bi-functional rake showing my new design;

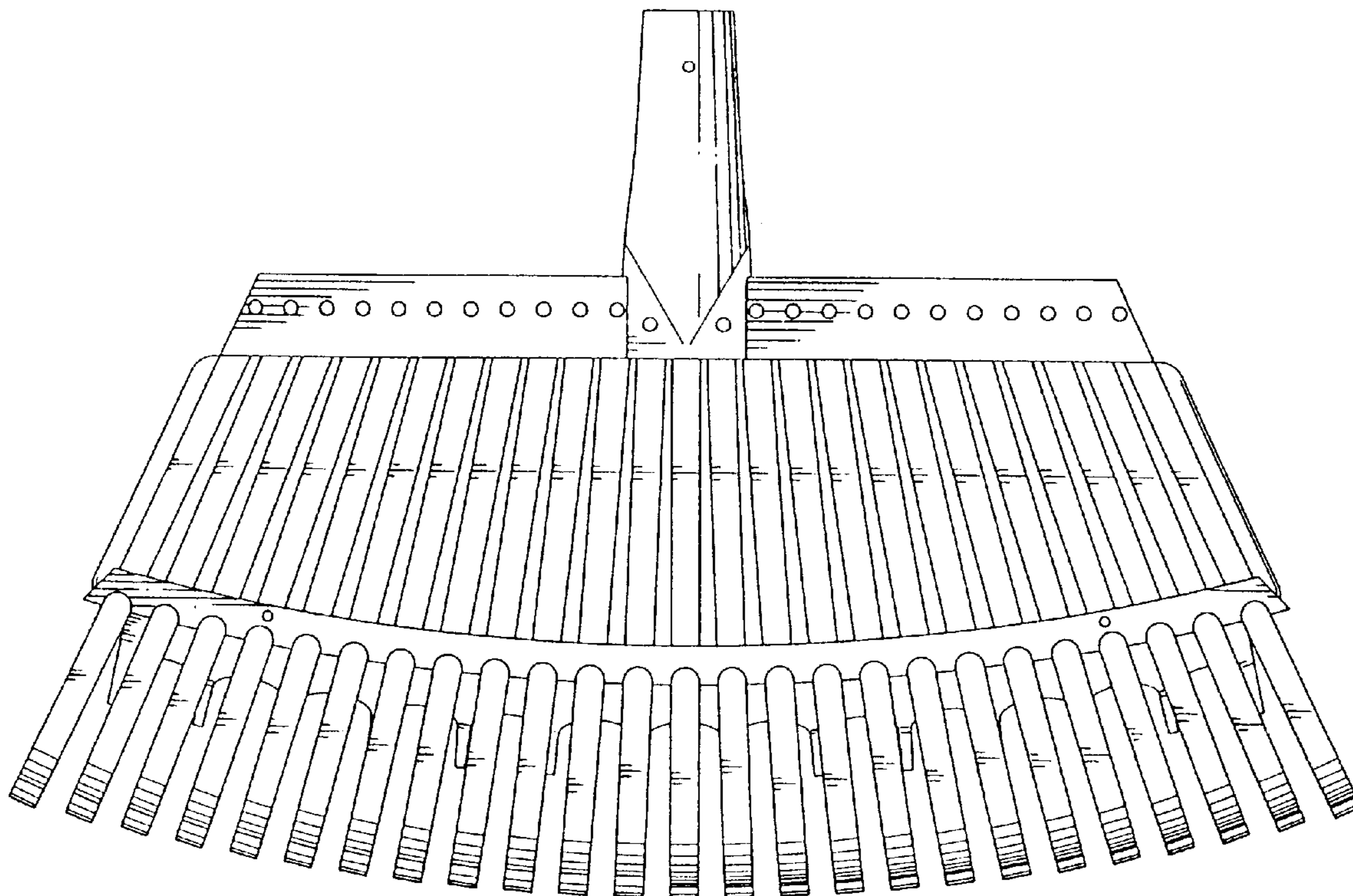
FIG. 2 is a rear elevational view thereof;

FIG. 3 is a left-side elevational view thereof; the right-side elevational view being a mirror image of the left-side elevational view thereof;

FIG. 4 is a bottom plan view thereof; a handle is shown in broken lines for illustrative purposes only and forms no part of the claimed design, and;

FIG. 5 is a front elevational view thereof.

**1 Claim, 2 Drawing Sheets**



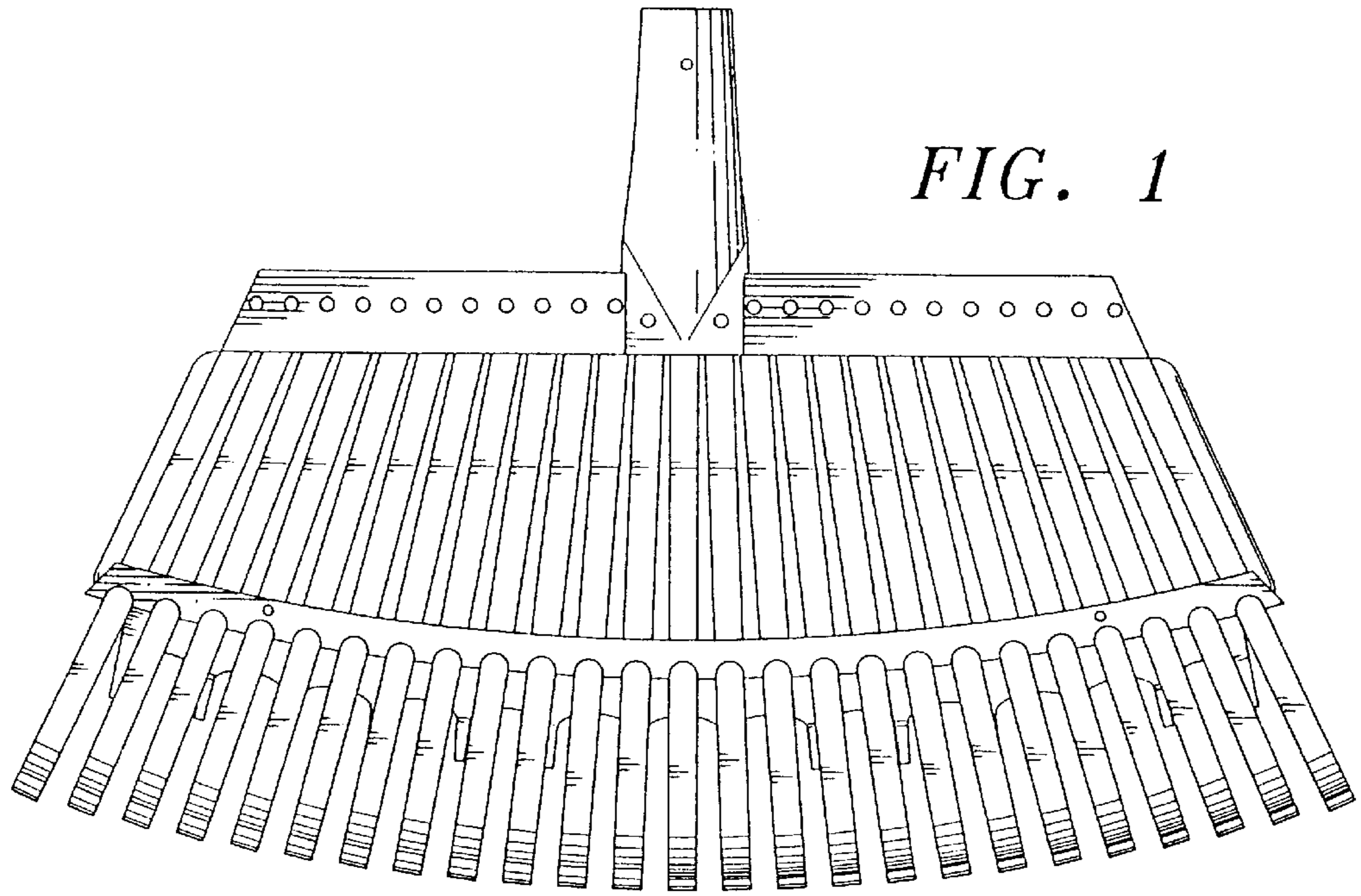


FIG. 1

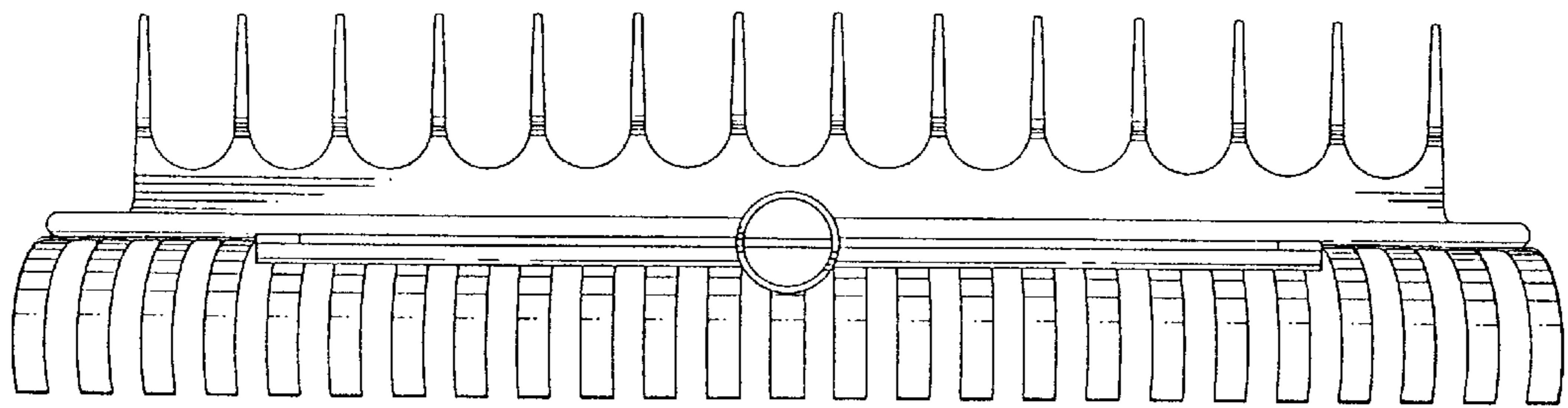


FIG. 2

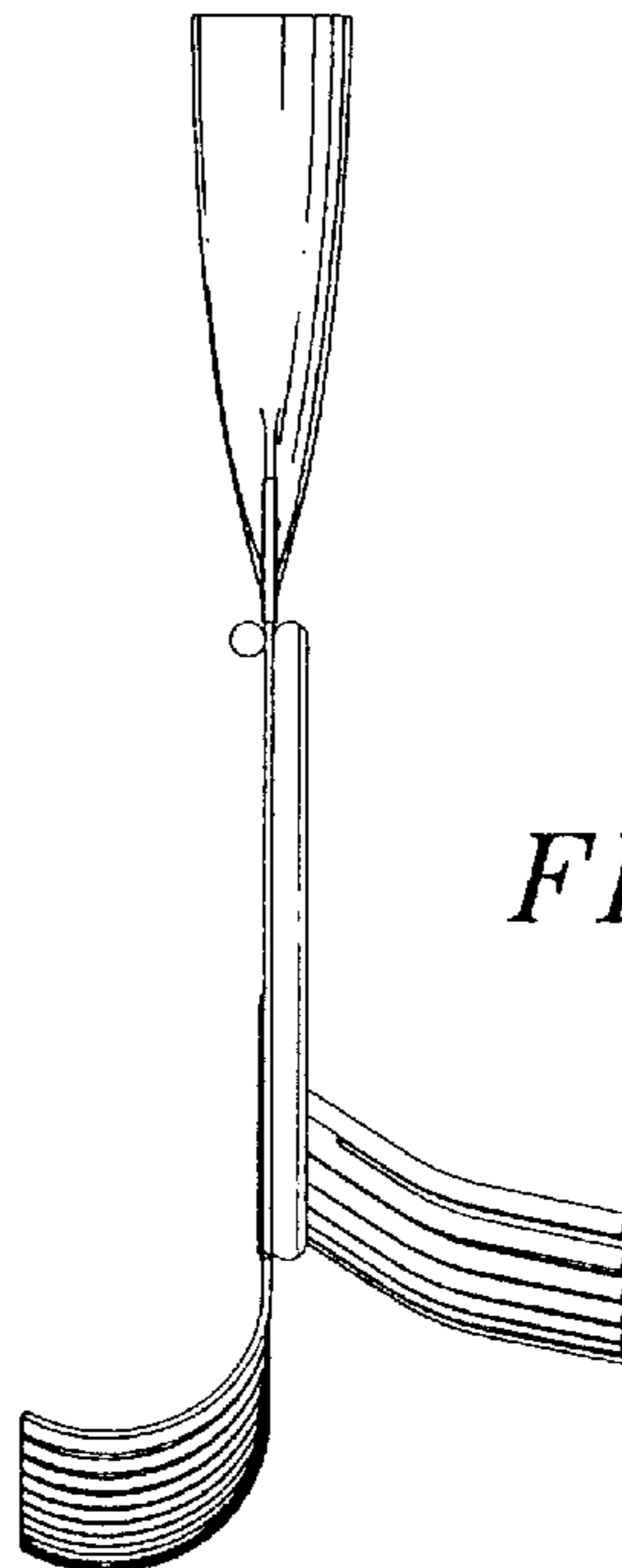
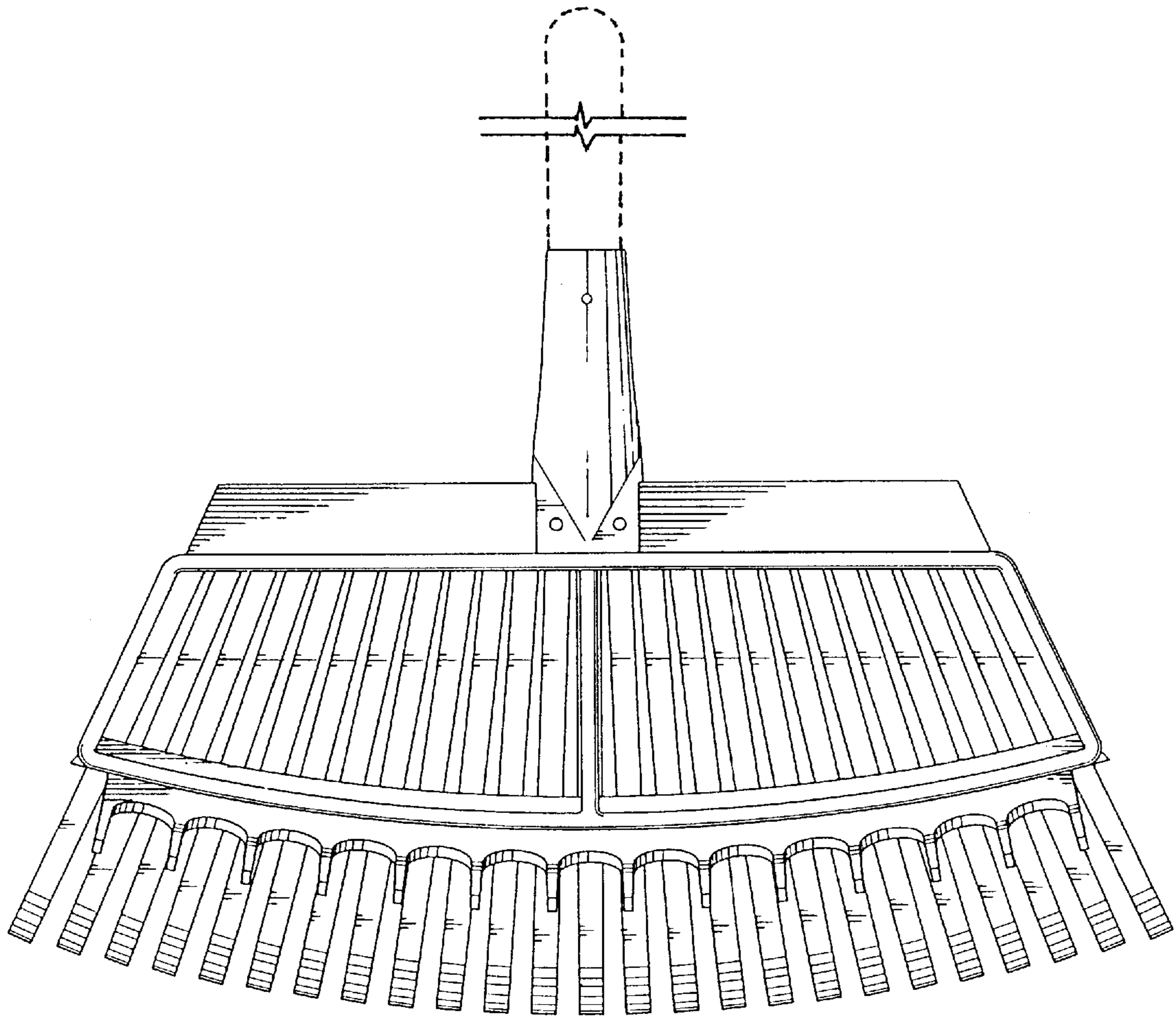
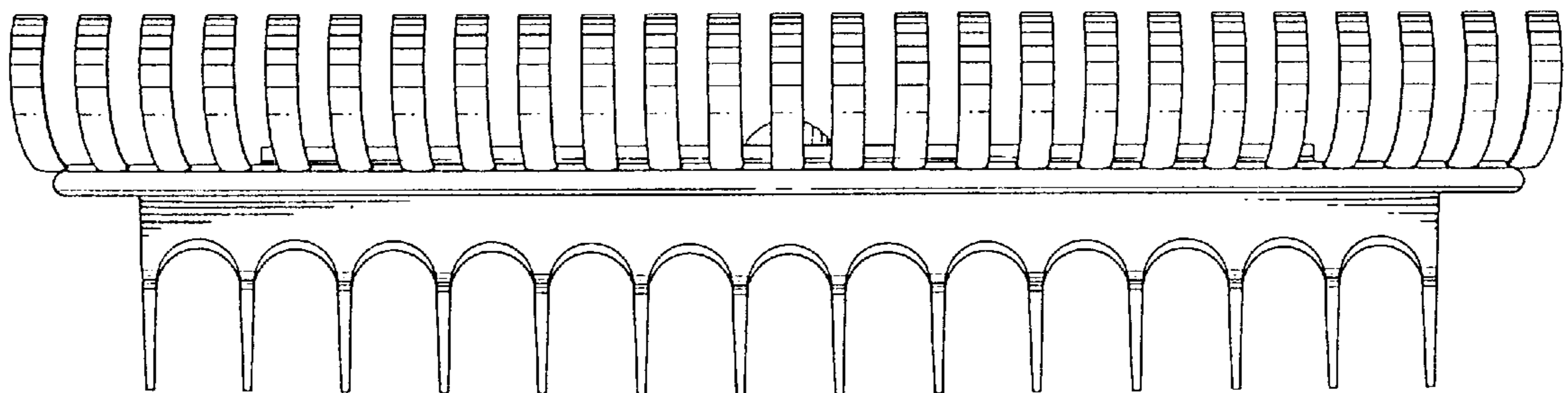


FIG. 3



*FIG. 4*



*FIG. 5*