



US00D409445S

United States Patent [19]

Lage et al.

[11] Patent Number: **Des. 409,445**

[45] Date of Patent: **** *May 11, 1999**

[54] **MUG-CONTAINER**

[75] Inventors: **David P. Lage; Albert P. Carney**, both of St. Louis County, Mo.

[73] Assignee: **Quick Point, Inc.**, Fenton, Mo.

[*] Notice: This patent is subject to a terminal disclaimer.

[**] Term: **14 Years**

[21] Appl. No.: **29/083,073**

[22] Filed: **Feb. 4, 1998**

[51] **LOC (6) Cl.** **07-01**

[52] **U.S. Cl.** **D7/536; D7/533**

[58] **Field of Search** D7/536, 533, 510, D7/511, 523, 509, 513, 507, 512, 532, 534, 619, 622, 535, 531, 514; 220/553, 555, 771, 755, 671, 713, 711, 669

[56] References Cited

U.S. PATENT DOCUMENTS

D. 216,142	11/1969	Gribbens	D7/523
D. 217,781	6/1970	Stone	D7/523
D. 242,200	11/1976	Ashton	D7/523
D. 257,311	10/1980	Painter et al.	D7/523
D. 288,766	3/1987	Tardif	D7/523
D. 305,194	12/1989	Durand	D7/536
D. 307,089	4/1990	Lage	D7/536
D. 343,091	1/1994	Shafer	D7/531

D. 378,263	3/1997	Lage	D7/536
D. 383,039	9/1997	Densmore	D7/536
2,299,730	10/1942	Bornstein	D7/536 X
3,563,408	2/1971	Bijvoet	220/671

OTHER PUBLICATIONS

Drawings from co-pending application of David P. Lage and Albert P. Carney entitled "Tumbler-Container" filed contemporaneously herewith; 27/083069.

Photographs of a mug in public use before the present invention.

Quick Point Catalog—1996 New ideas—Cover page and pp. 4, 6-17-22, 23.

Primary Examiner—M. N. Pandozzi

Attorney, Agent, or Firm—Polster, Lieder, Woodruff & Lucchesi, L.C.

[57] CLAIM

The ornamental design for a mug-container, as shown and described.

DESCRIPTION

FIG. 1 is a top, front and right side perspective view of a mug-container showing our new design;

FIG. 2 is a top plan view thereof;

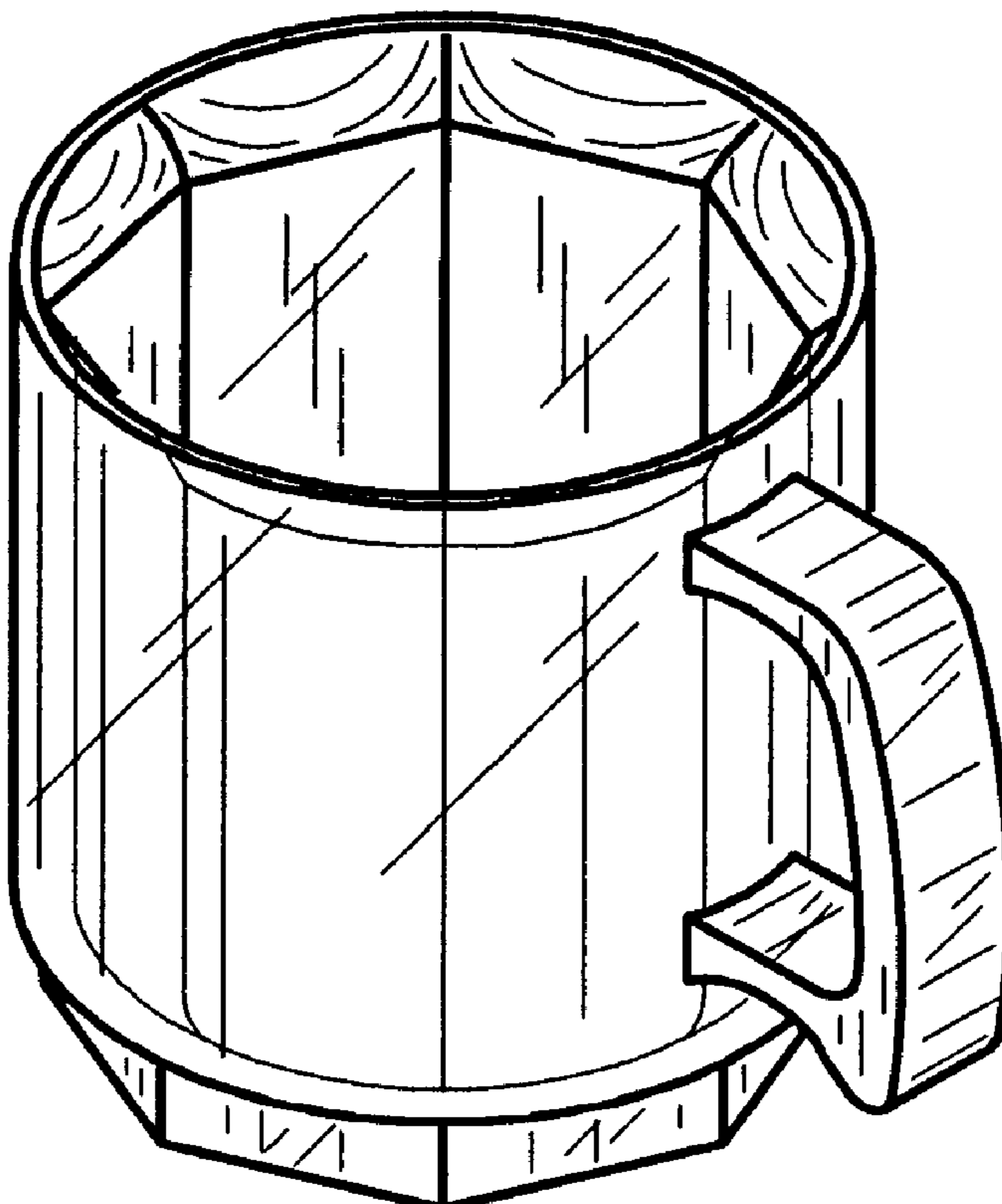
FIG. 3 is a bottom plan view thereof;

FIG. 4 is a right side elevational view thereof;

FIG. 5 is a left side elevational view thereof; and,

FIG. 6 is a sectional view thereof taken along line 6—6 of FIG. 2.

1 Claim, 1 Drawing Sheet



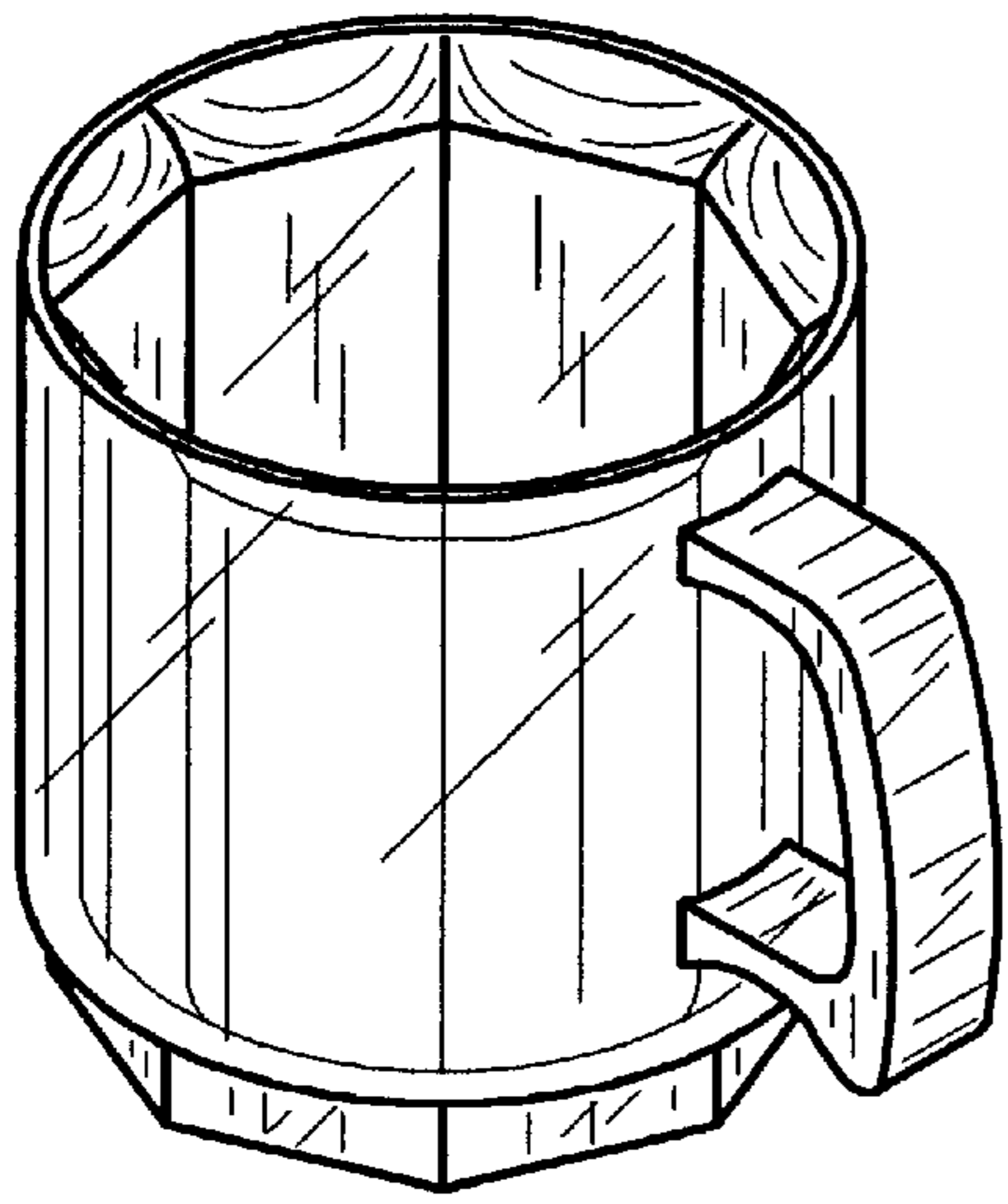


FIG. 1

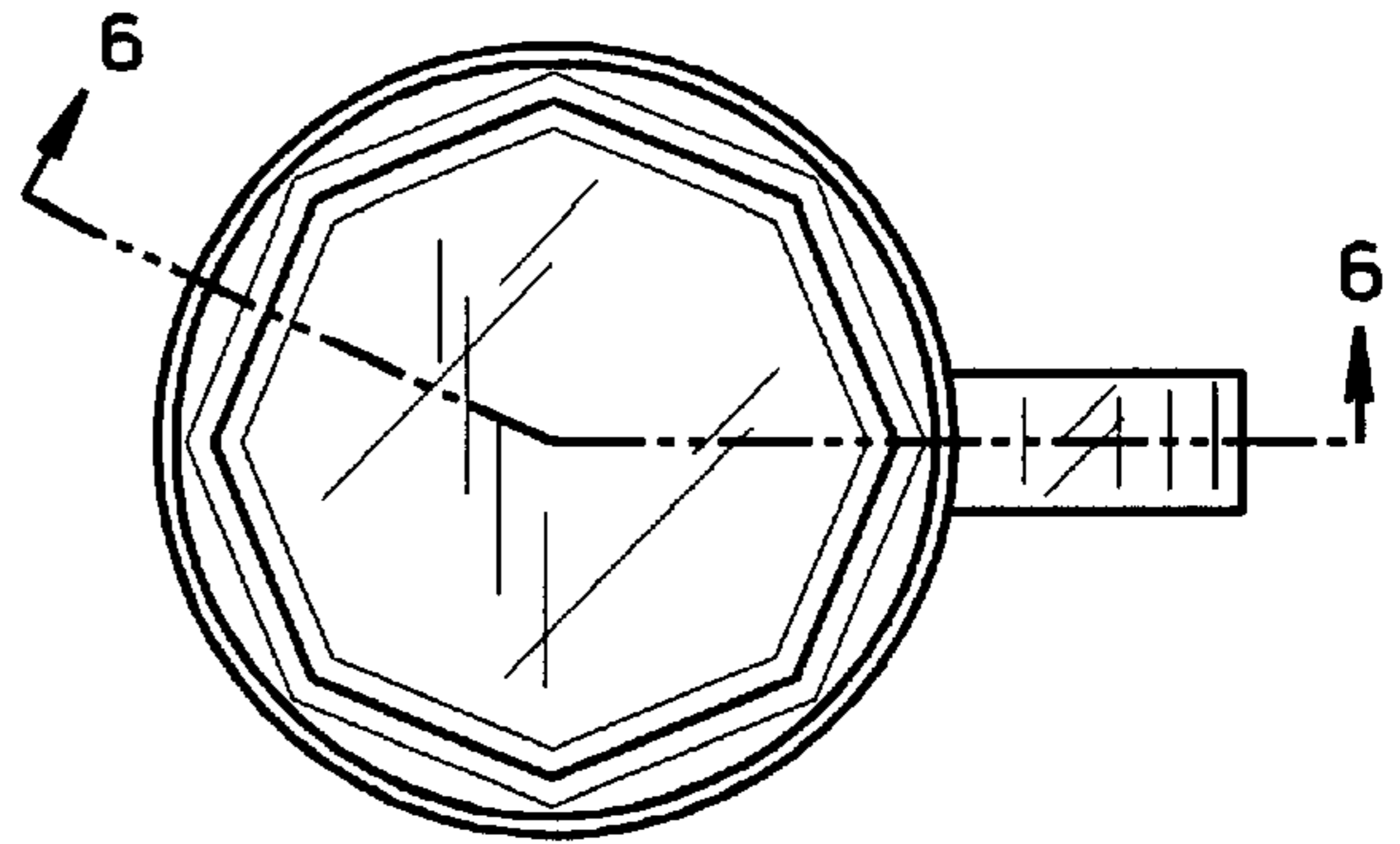


FIG. 2

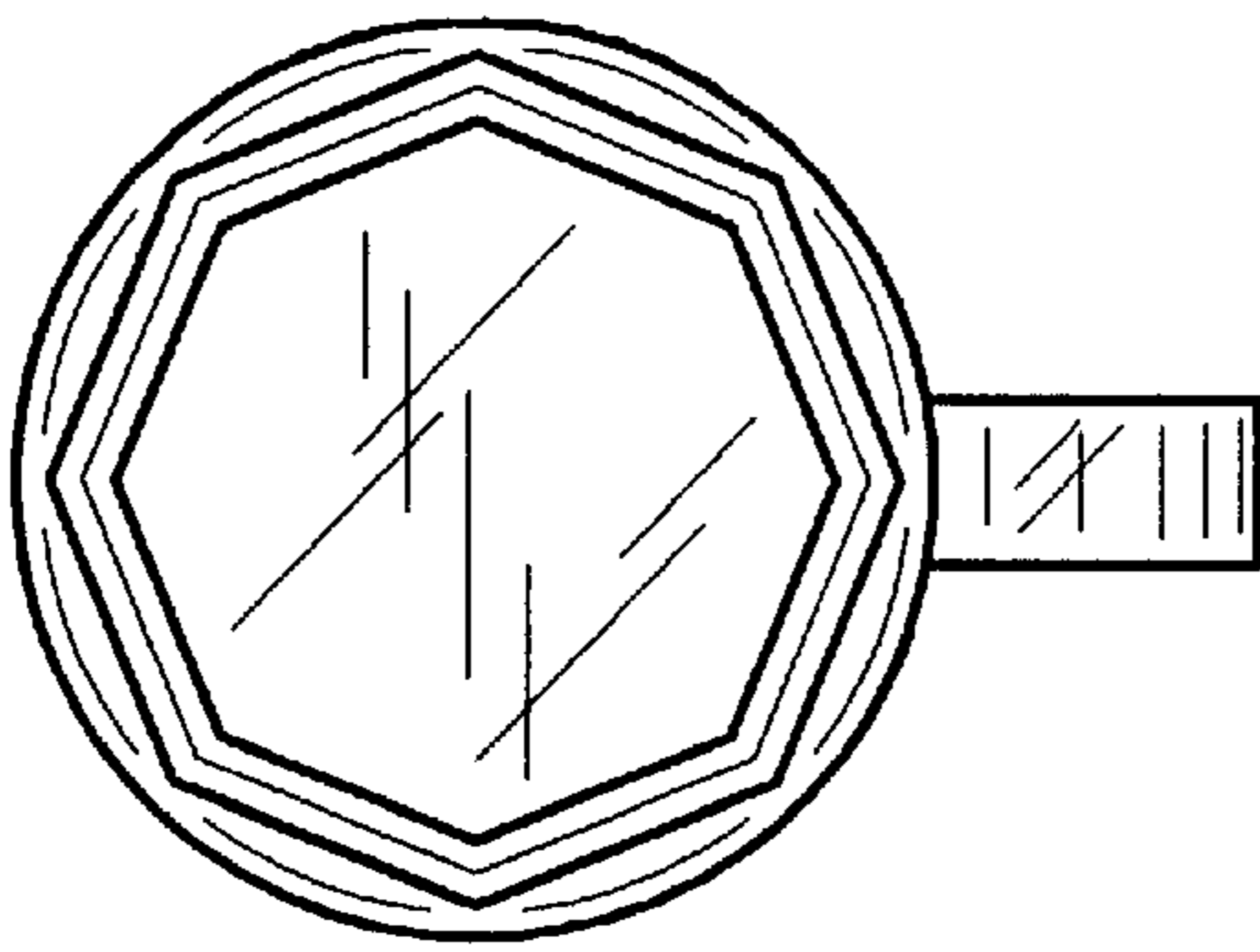


FIG. 3

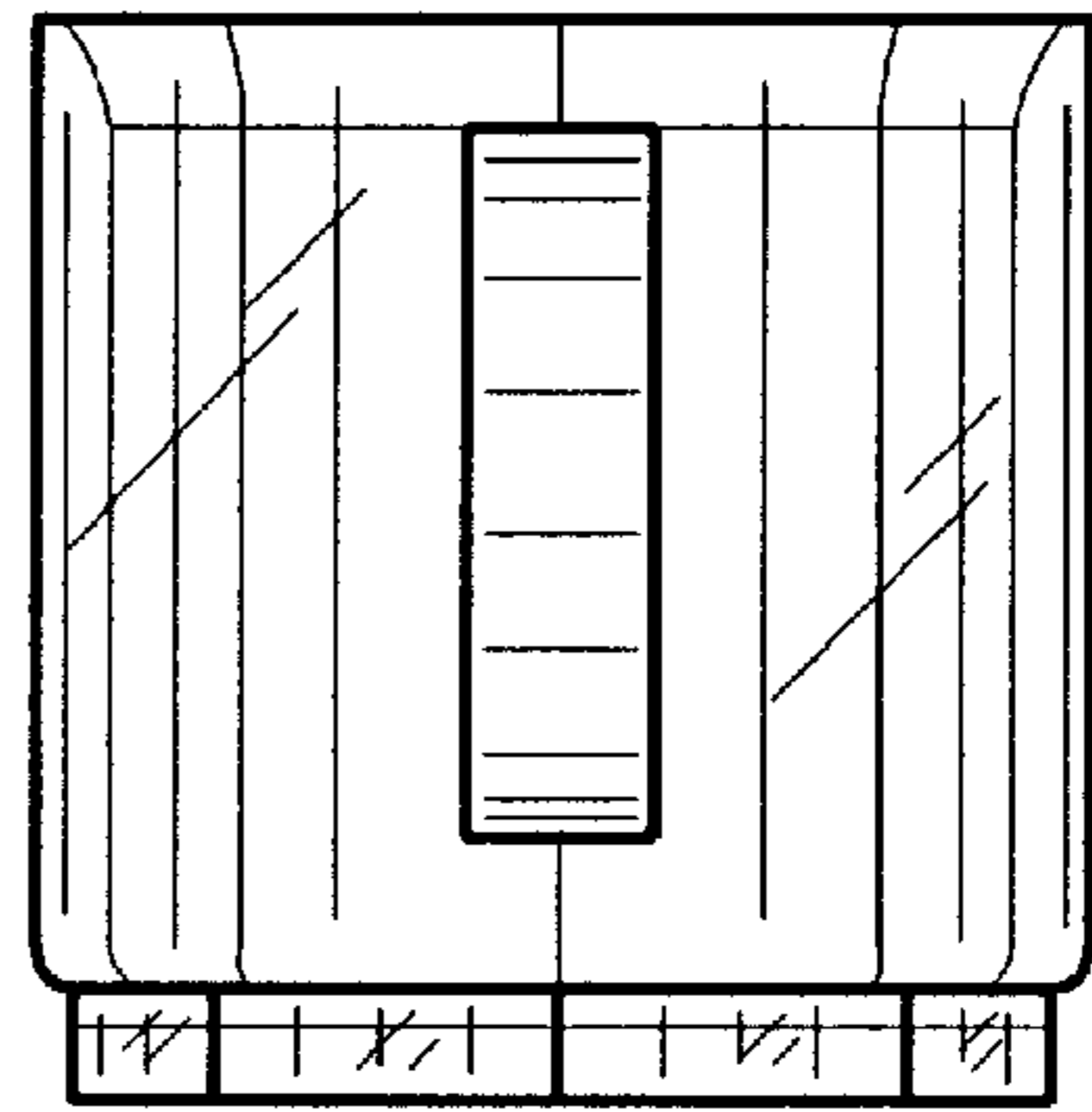


FIG. 4

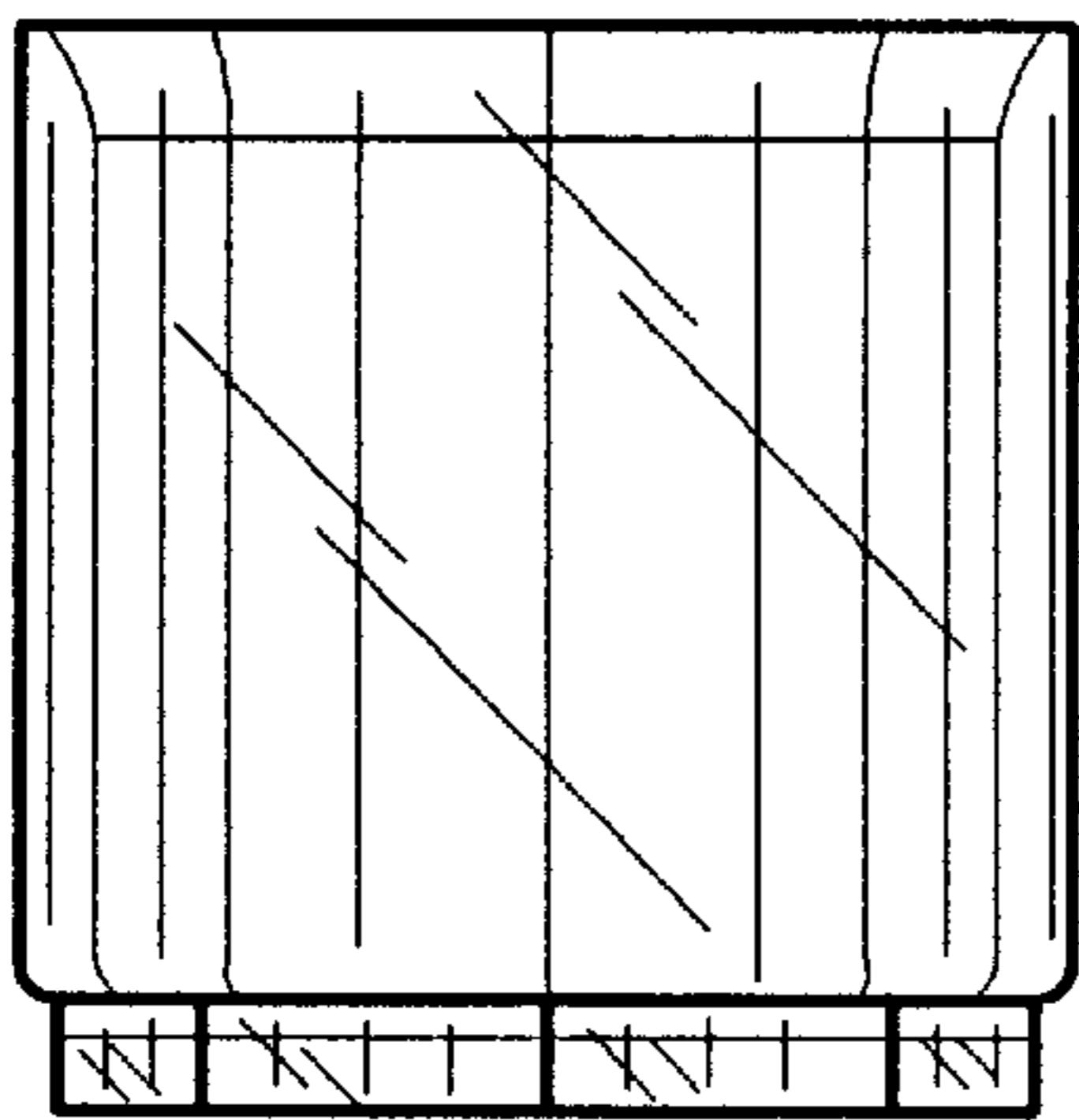


FIG. 5

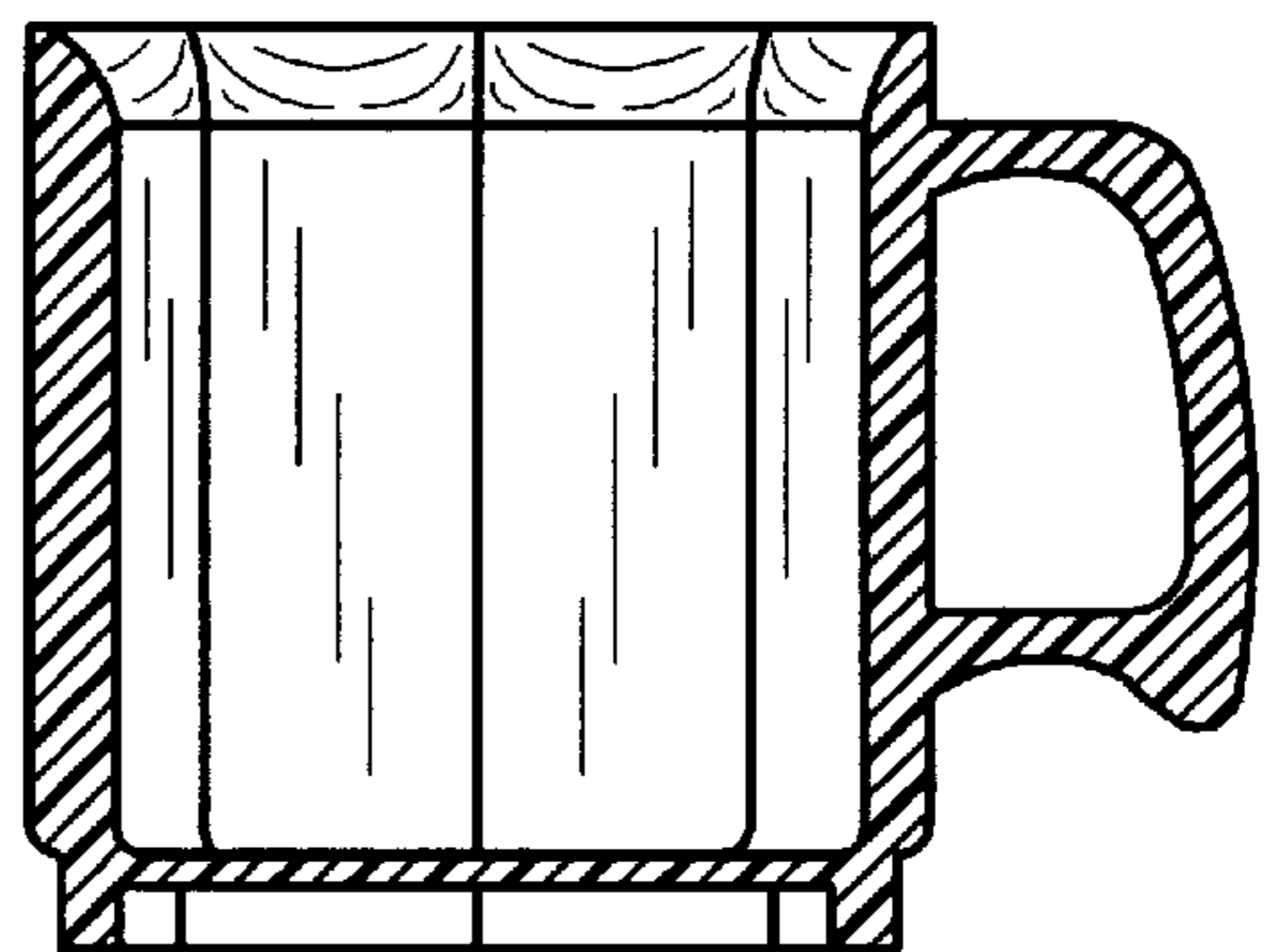


FIG. 6