



US00D409443S

United States Patent [19]
Clark et al.

[11] **Patent Number: Des. 409,443**

[45] **Date of Patent: ** May 11, 1999**

[54] **BASKETBALL CUP**

[76] Inventors: **David C. Clark**, 25727 W. Outer Dr.;
Victor T. Clark, Jr., 3368 Ethel, both
of Detroit, Mich. 48217

[**] Term: **14 Years**

[21] Appl. No.: **29/085,123**

[22] Filed: **Mar. 17, 1998**

[51] **LOC (6) Cl.** **07-01**

[52] **U.S. Cl.** **D7/515; D7/510; D7/511;**
D7/901

[58] **Field of Search** D7/515, 514, 516,
D7/523, 510, 511, 901, 606, 623, 625,
710, 628, 301; D9/307; 224/148.4; 206/457;
D21/713, 709; 222/215; 220/669, 672,
675, 705, 708, 707, 756

[56] **References Cited**

U.S. PATENT DOCUMENTS

D. 248,986	8/1978	Nakata	D21/713
D. 297,389	8/1988	Demaree	D7/515
D. 330,284	10/1992	Klein	D9/307 X
D. 339,955	10/1993	Katz	D7/510 X
D. 340,076	10/1993	Turner	D7/515 X
D. 349,631	8/1994	Redmon	D7/606

D. 355,334	2/1995	Minor	D7/606
D. 360,108	7/1995	Blankenburg et al.	D7/515
D. 373,930	9/1996	Gruneisen, III	D7/515
D. 376,730	12/1996	Hurst et al.	D7/515

Primary Examiner—M. N. Pandozzi
Attorney, Agent, or Firm—Gifford, Krass, Groh, Sprinkle,
Anderson & Citkowski, P.C.

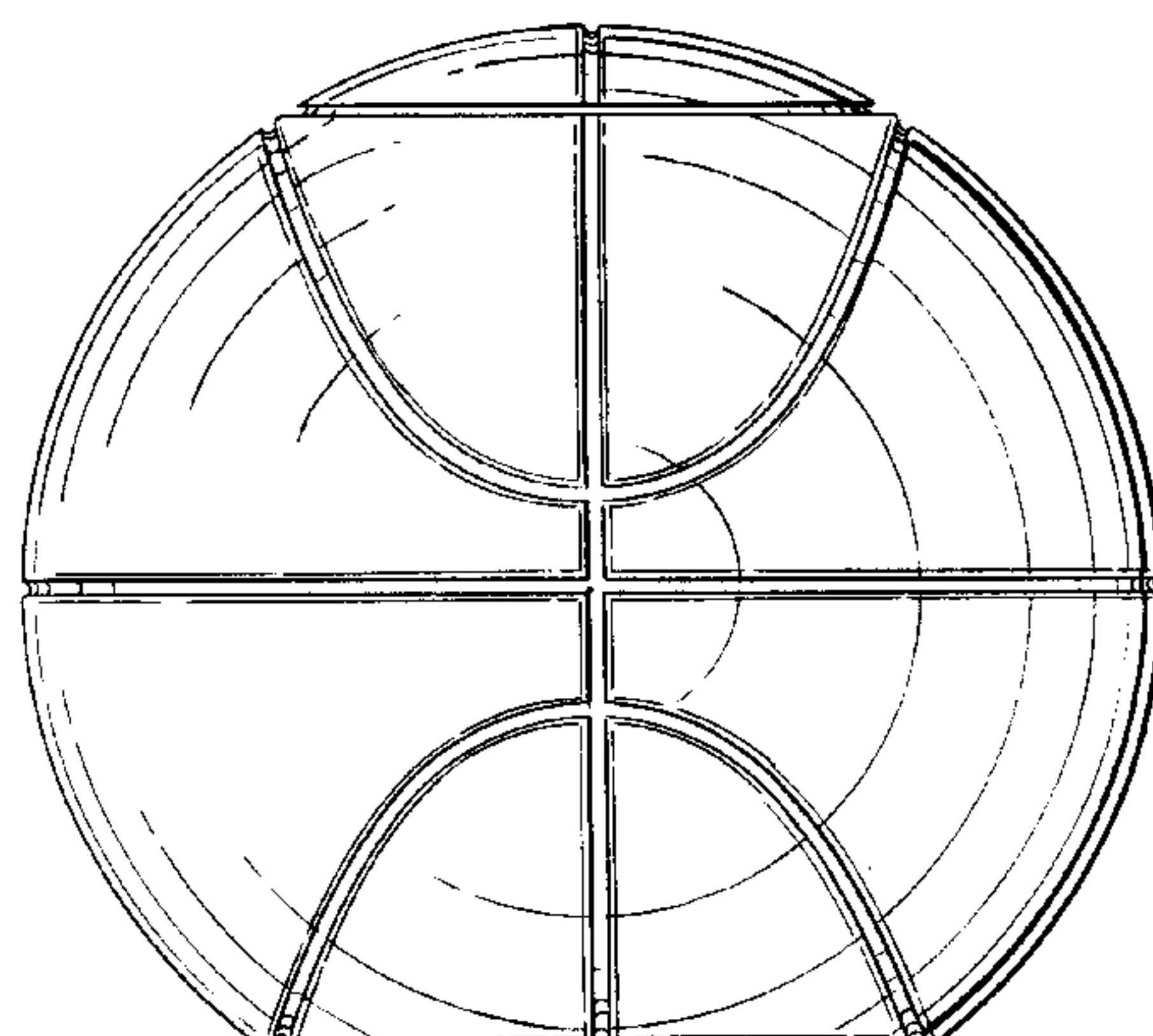
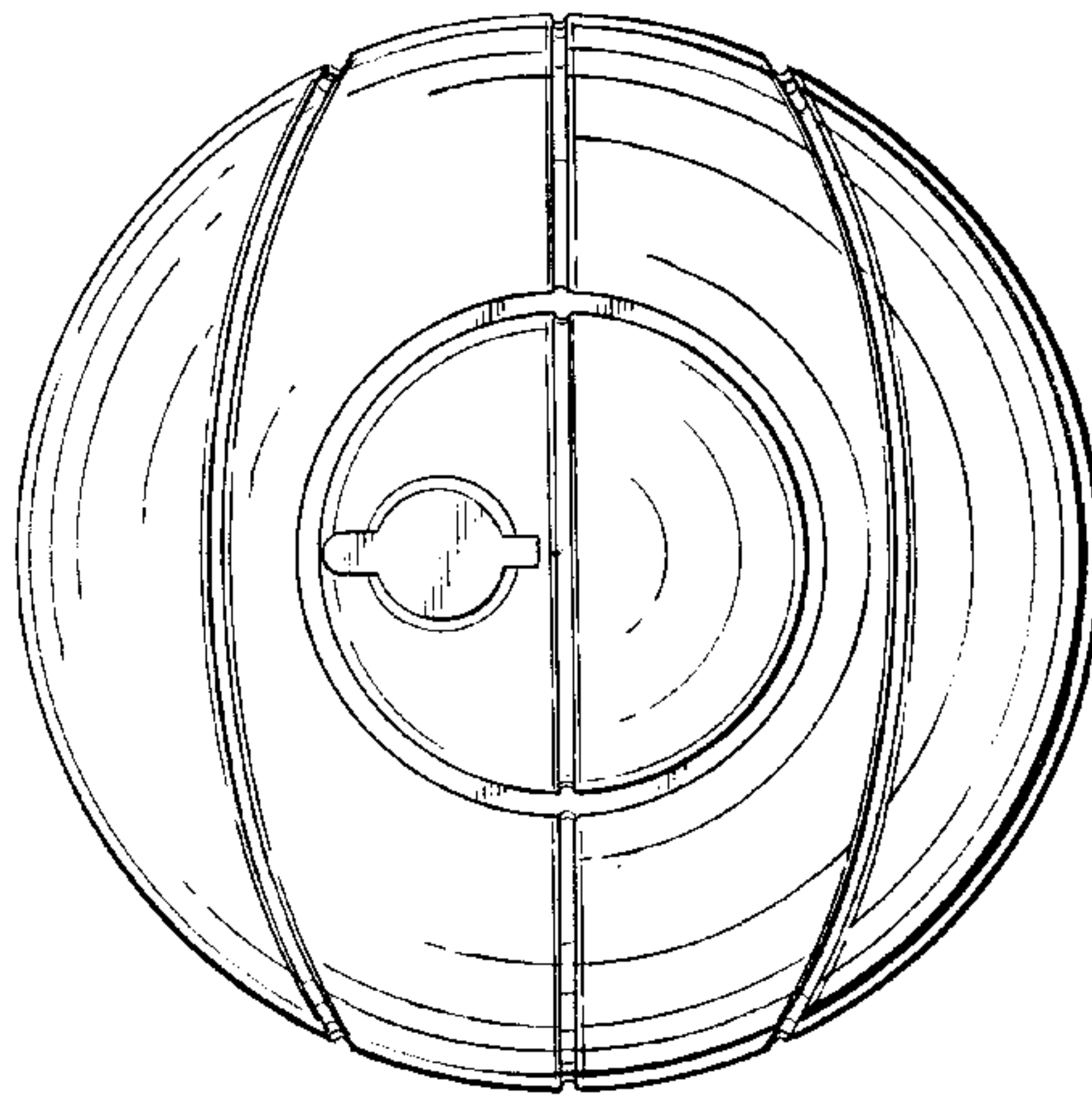
[57] **CLAIM**

The ornamental design for a basketball cup, as shown and described.

DESCRIPTION

FIG. 1 is a top plan view of a basketball cup showing our new design;
FIG. 2 is a side elevational view thereof in which both left and right sides are identical,
FIG. 3 is a front elevational view thereof,
FIG. 4 is a bottom plan view thereof,
FIG. 5 is a top plan view of a basketball cup showing a second embodiment of our new design;
FIG. 6 is a side elevational view of the second embodiment in which both left and right sides are identical,
FIG. 7 is a front elevational view of the second embodiment;
and,
FIG. 8 is a bottom plan view of the second embodiment.

1 Claim, 4 Drawing Sheets



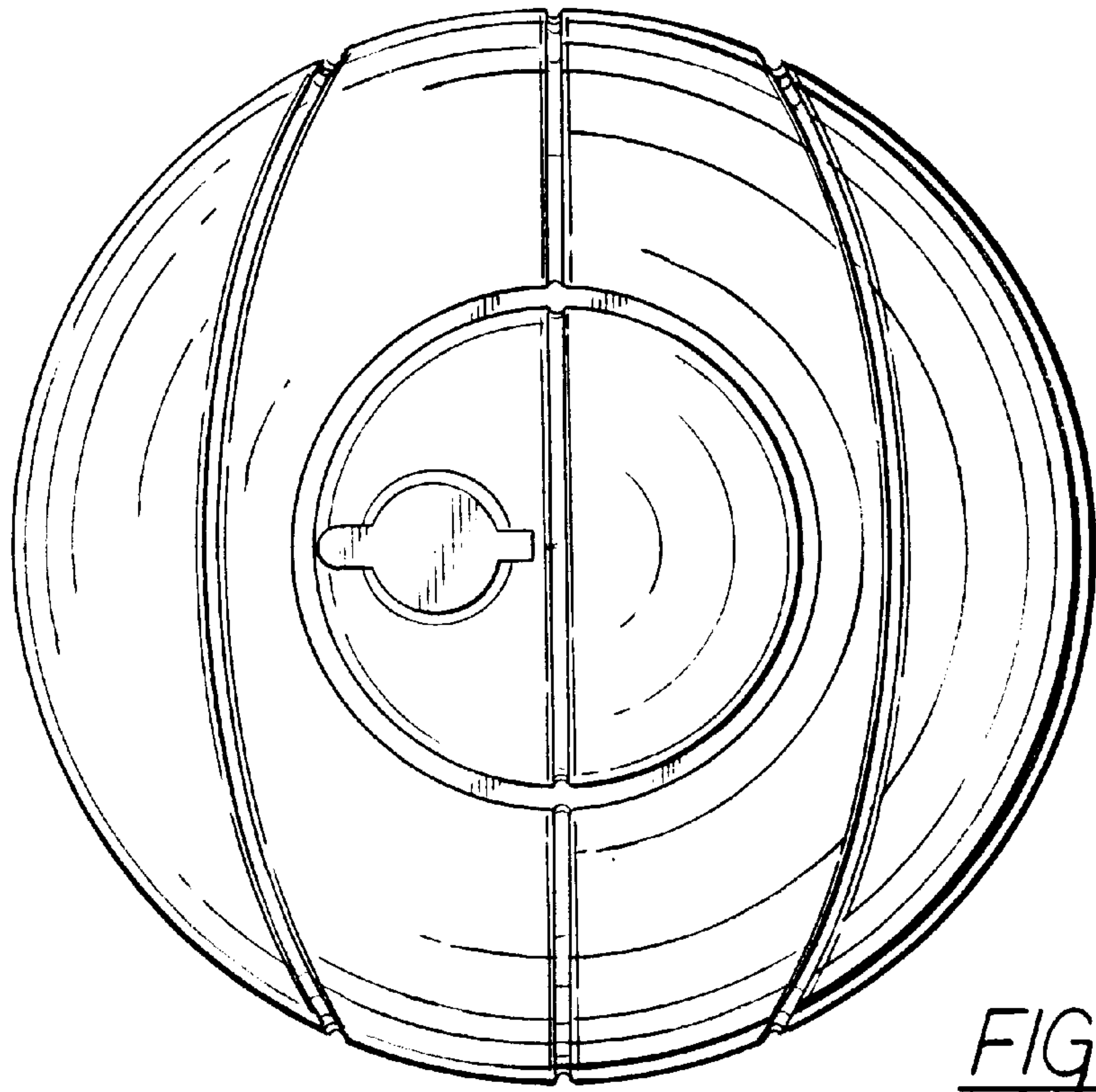


FIG-1

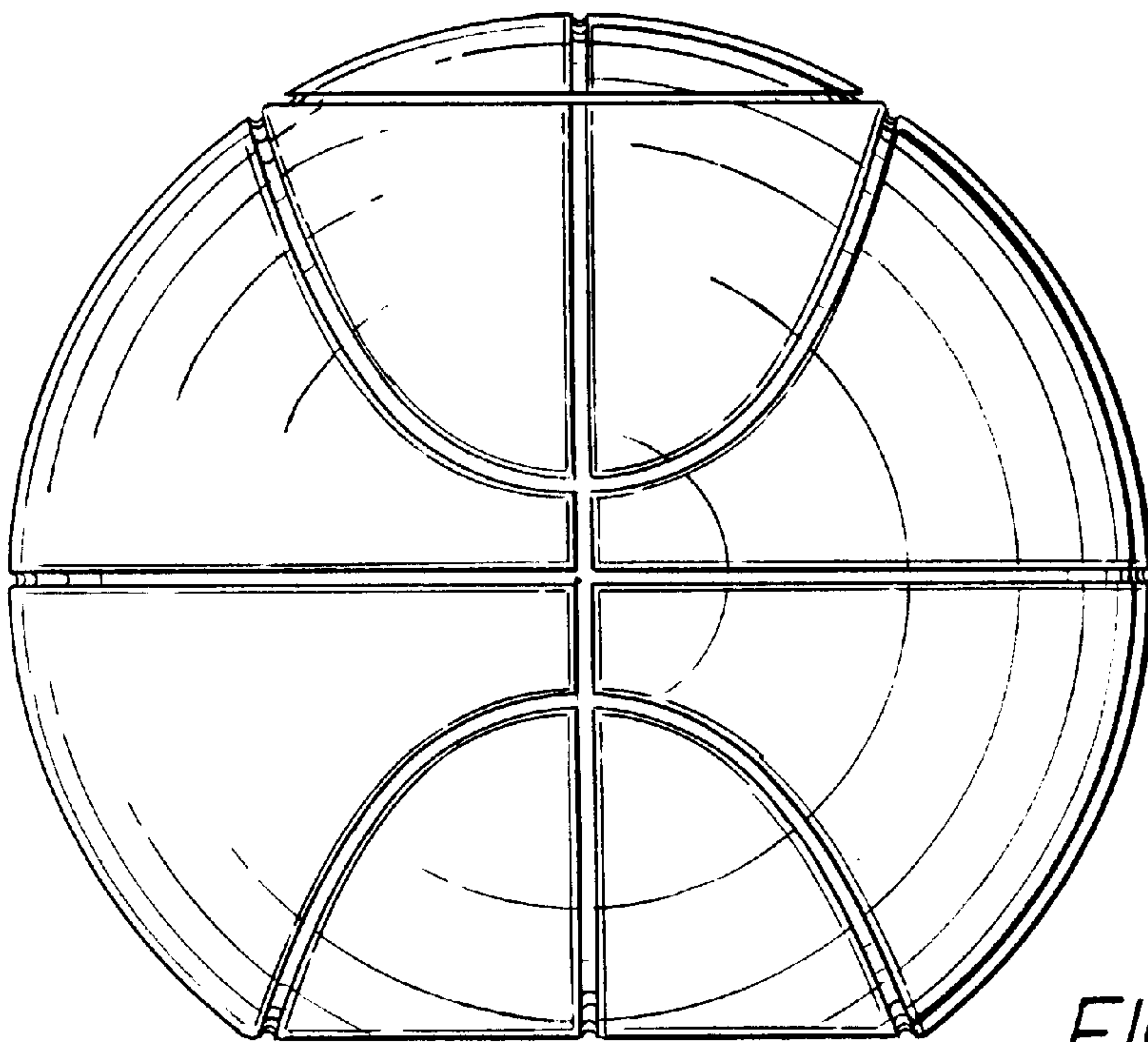


FIG-2

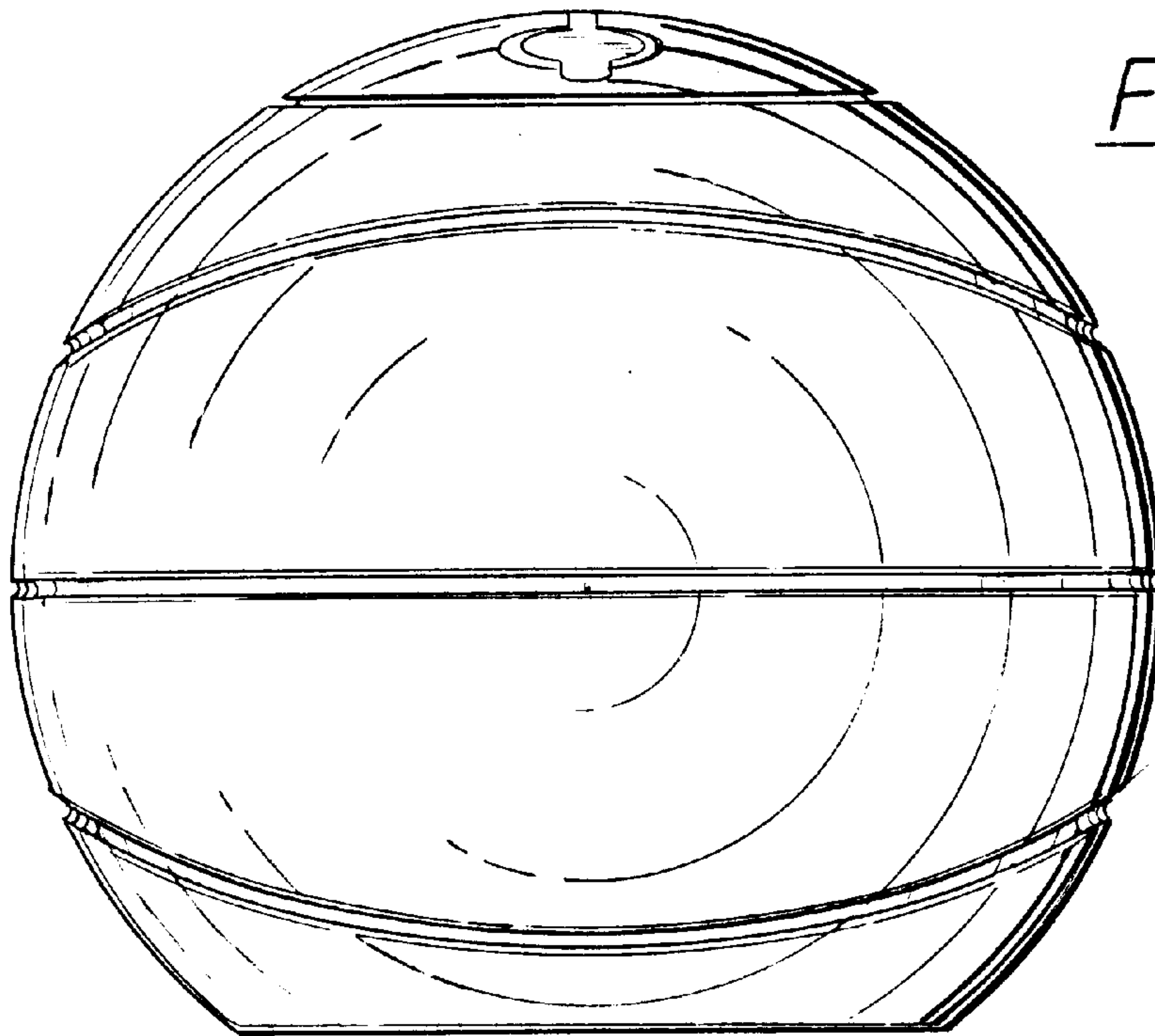


FIG-3

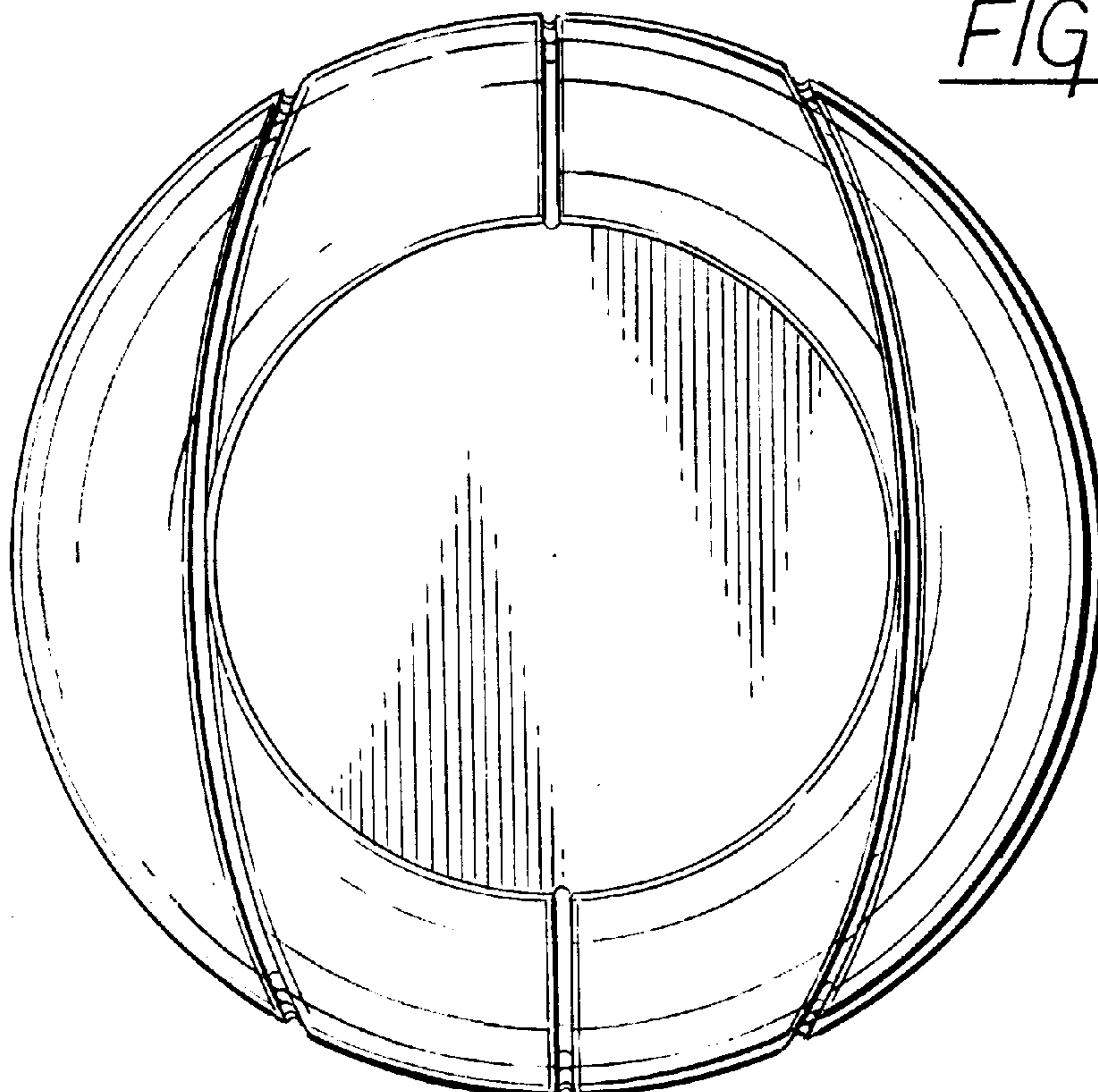


FIG-4

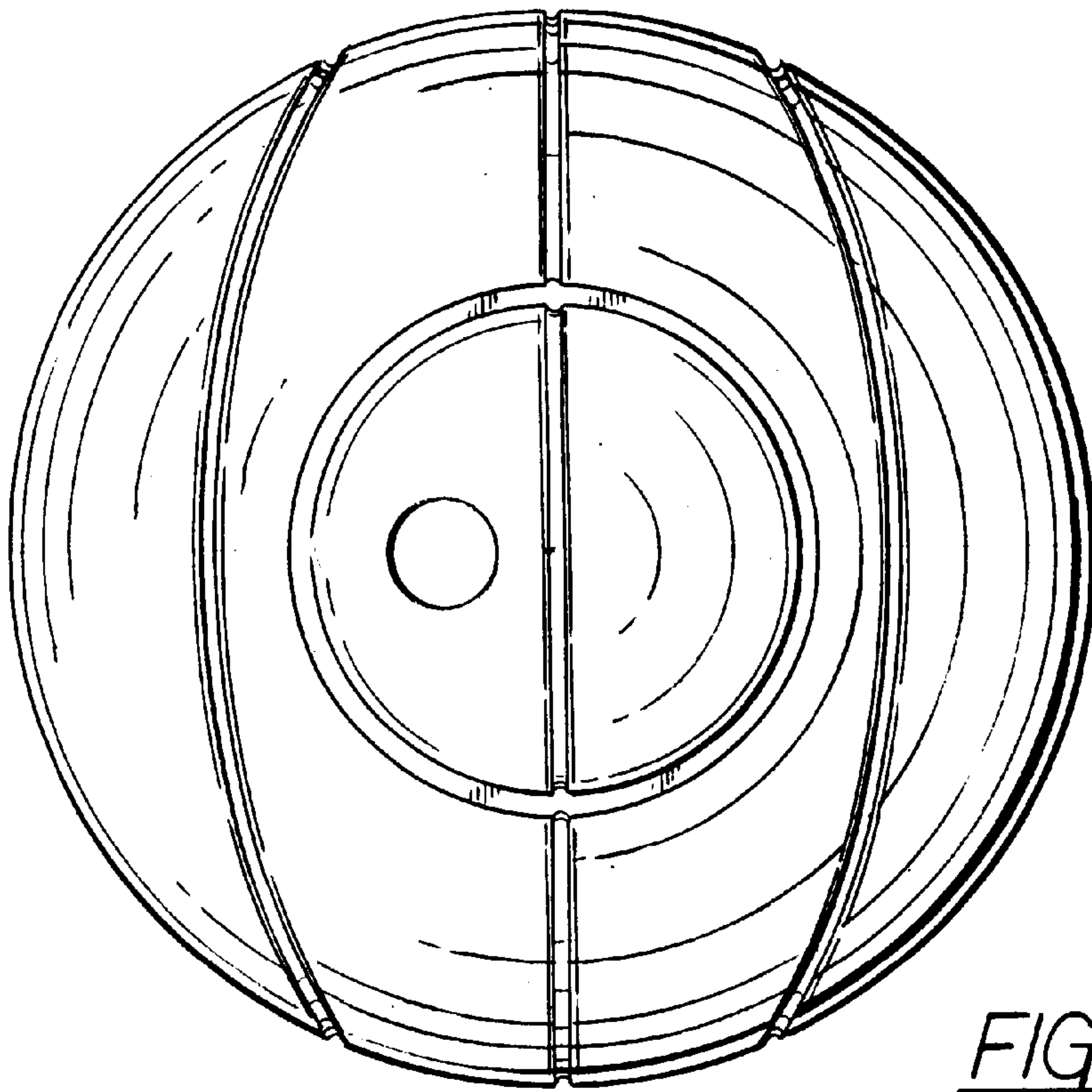


FIG-5

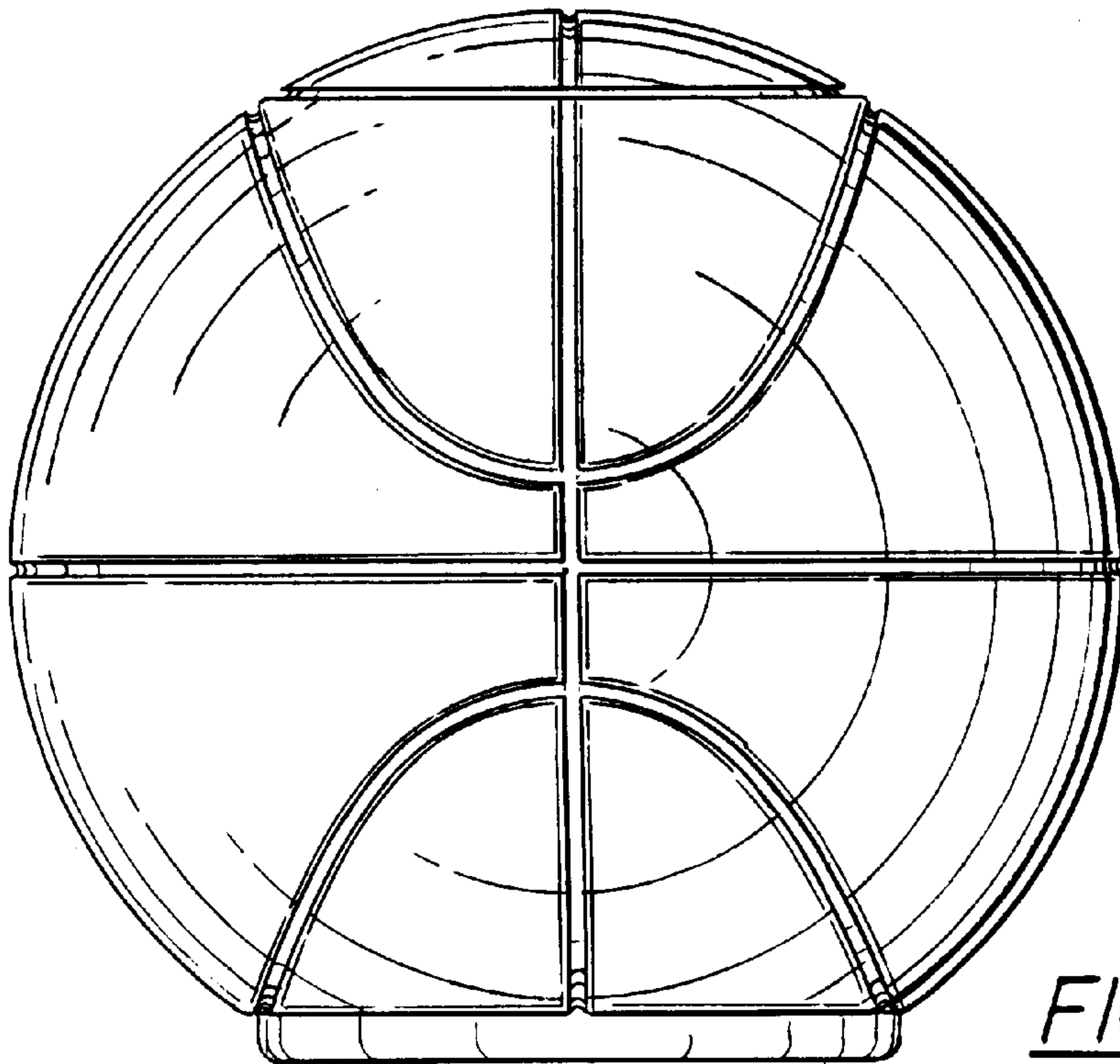


FIG-6

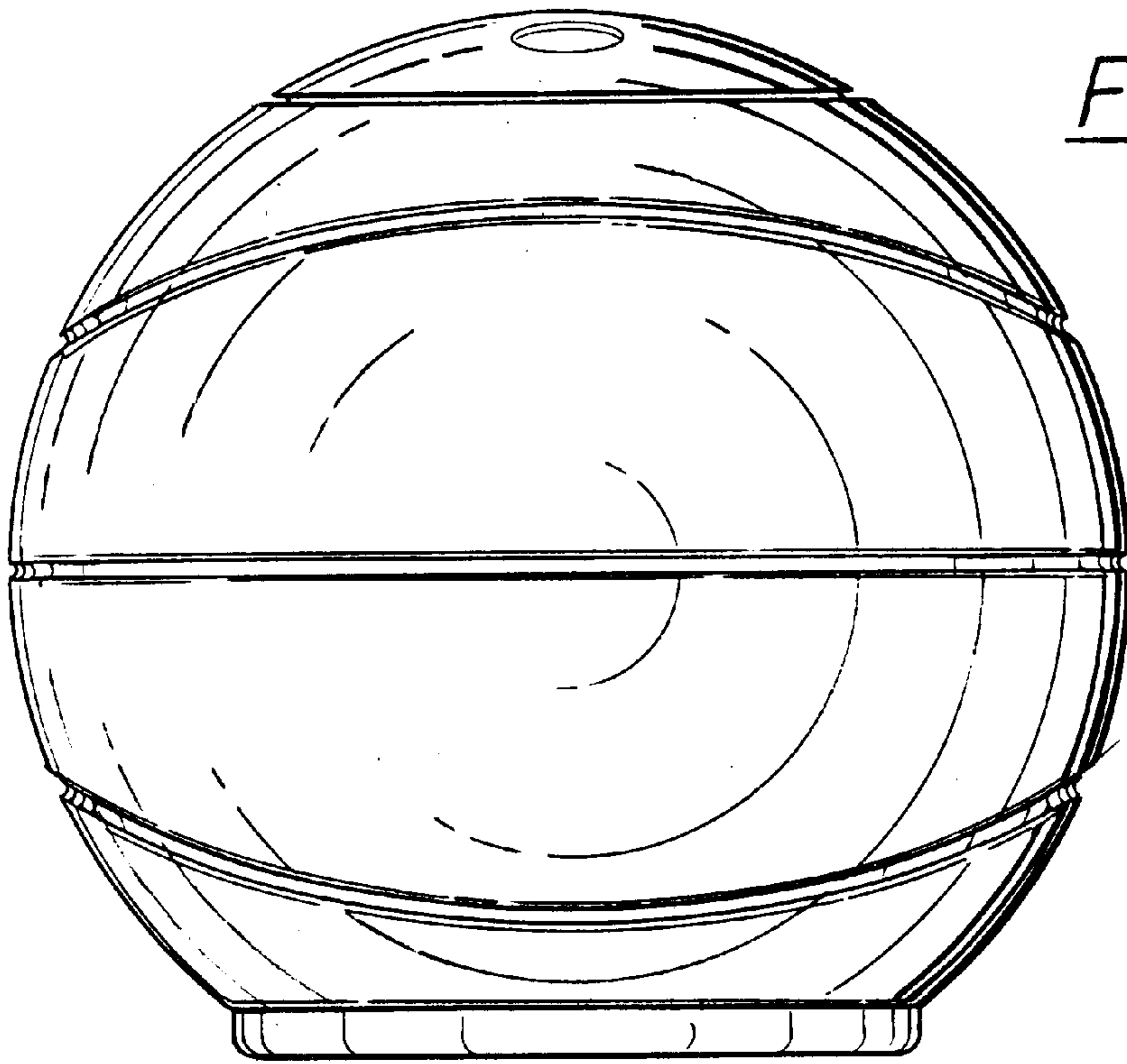


FIG-7

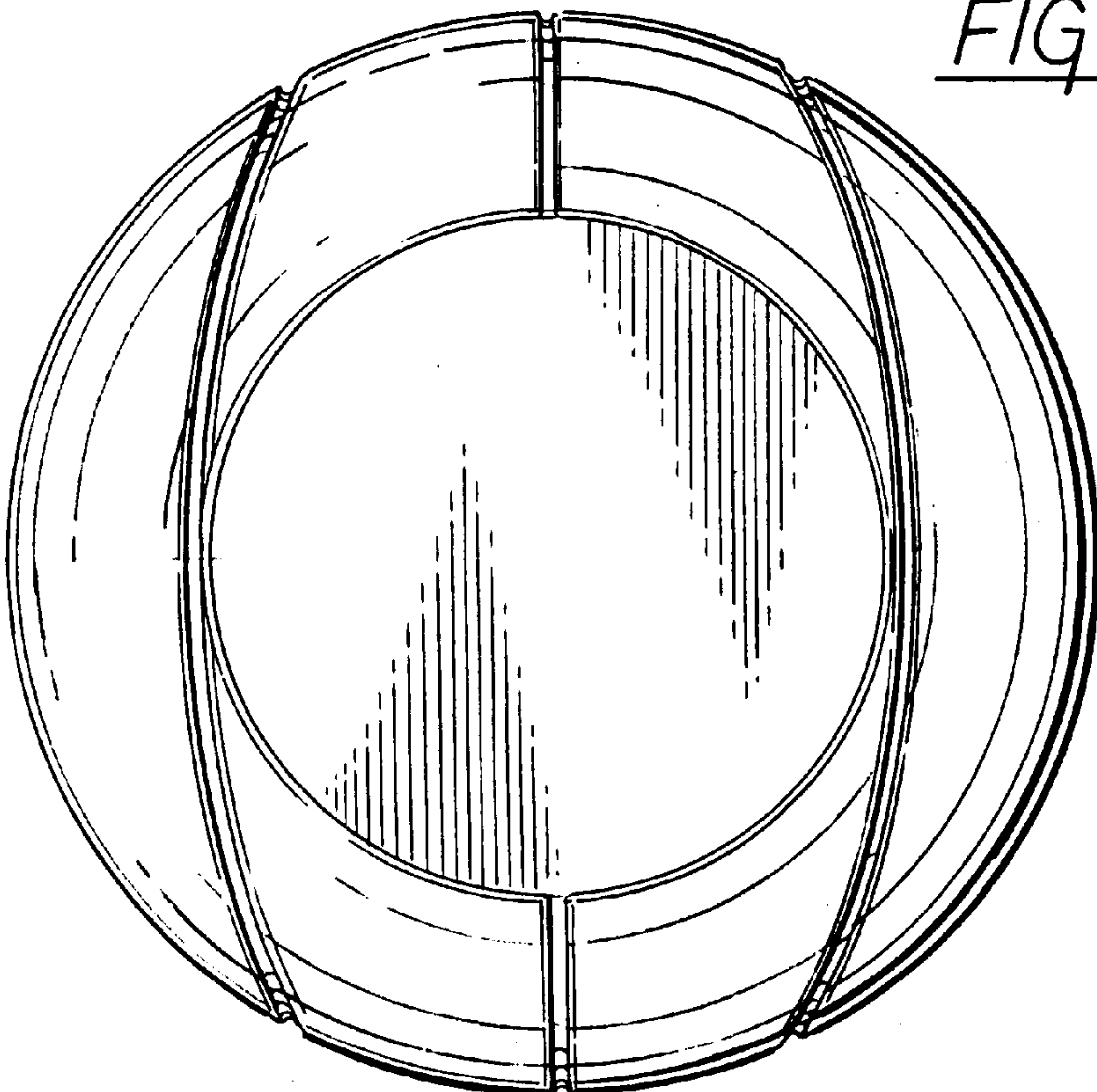


FIG-8