



US00D409441S

# United States Patent [19] Stephenson

[11] **Patent Number: Des. 409,441**

[45] **Date of Patent: \*\* May 11, 1999**

[54] **CONTAINER FOR BEVERAGES**

[75] Inventor: **Karl Stephenson**, Seattle, Wash.

[73] Assignee: **Bergschrund, Inc.**, Seattle, Wash.

[\*\*] Term: **14 Years**

[21] Appl. No.: **29/093,135**

[22] Filed: **Sep. 3, 1998**

[51] **LOC (6) Cl.** ..... **07-01**

[52] **U.S. Cl.** ..... **D7/510; D7/511; D7/536; D7/533**

[58] **Field of Search** ..... **D7/509, 510, 511, D7/533, 535, 536; 220/703, 737, 705, 713, 729; 215/376**

[56] **References Cited**

**U.S. PATENT DOCUMENTS**

|            |         |              |       |        |
|------------|---------|--------------|-------|--------|
| D. 214,458 | 6/1969  | Riley        | ..... | D7/533 |
| D. 287,986 | 1/1987  | Meier et al. | ..... | D7/536 |
| D. 325,848 | 5/1992  | Embree       | ..... | D7/510 |
| D. 330,484 | 10/1992 | Ross         | ..... | D7/511 |

|            |         |             |       |         |
|------------|---------|-------------|-------|---------|
| D. 362,156 | 9/1995  | Goto et al. | ..... | D7/511  |
| D. 372,839 | 8/1996  | Laib        | ..... | D7/536  |
| D. 375,655 | 11/1996 | King        | ..... | D7/511  |
| D. 398,187 | 9/1998  | Parker      | ..... | D7/510  |
| 5,531,353  | 7/1996  | Ward et al. | ..... | 220/729 |

*Primary Examiner*—M. N. Pandozzi  
*Attorney, Agent, or Firm*—Christensen O'Connor Johnson & Kindness PLLC

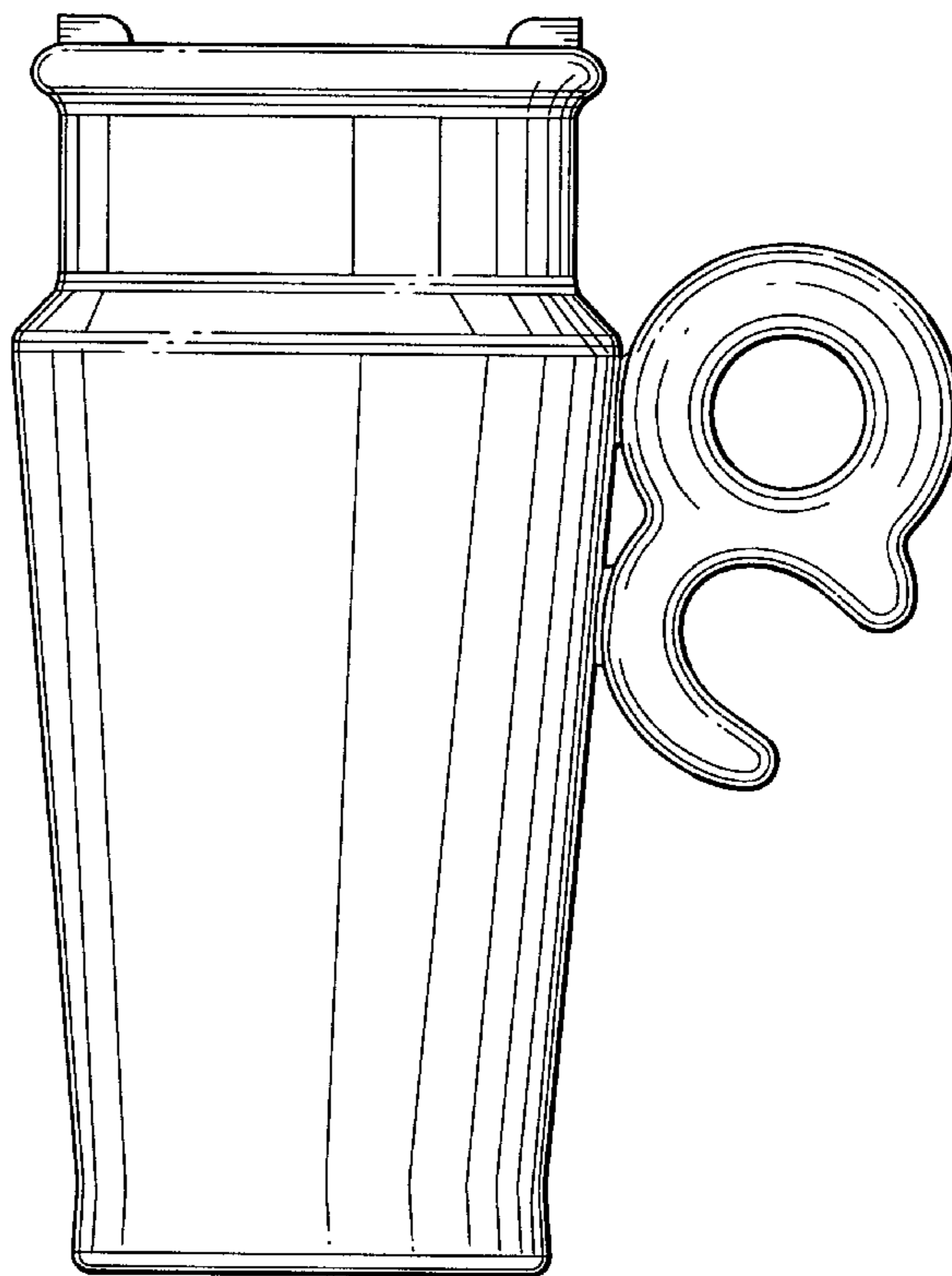
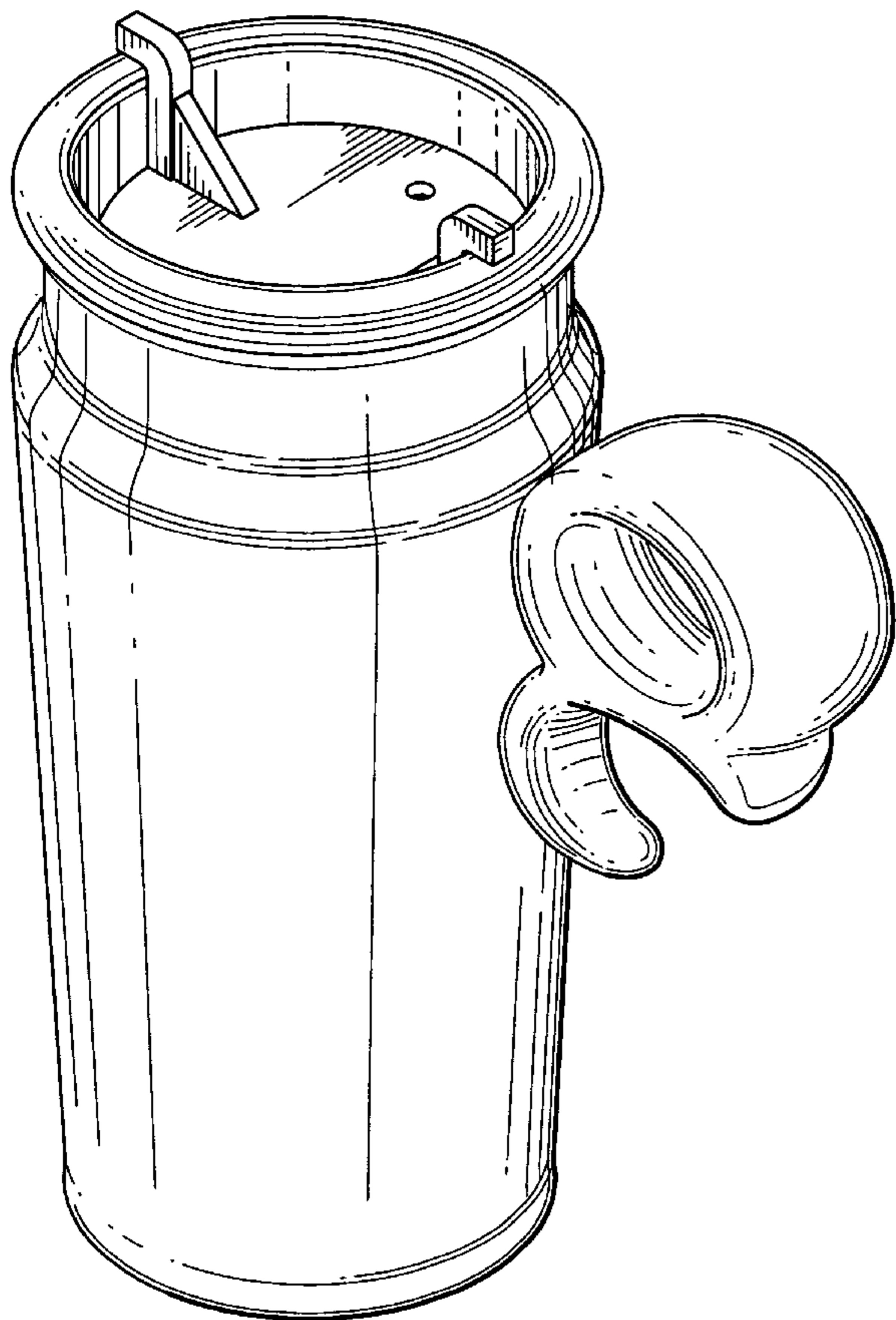
[57] **CLAIM**

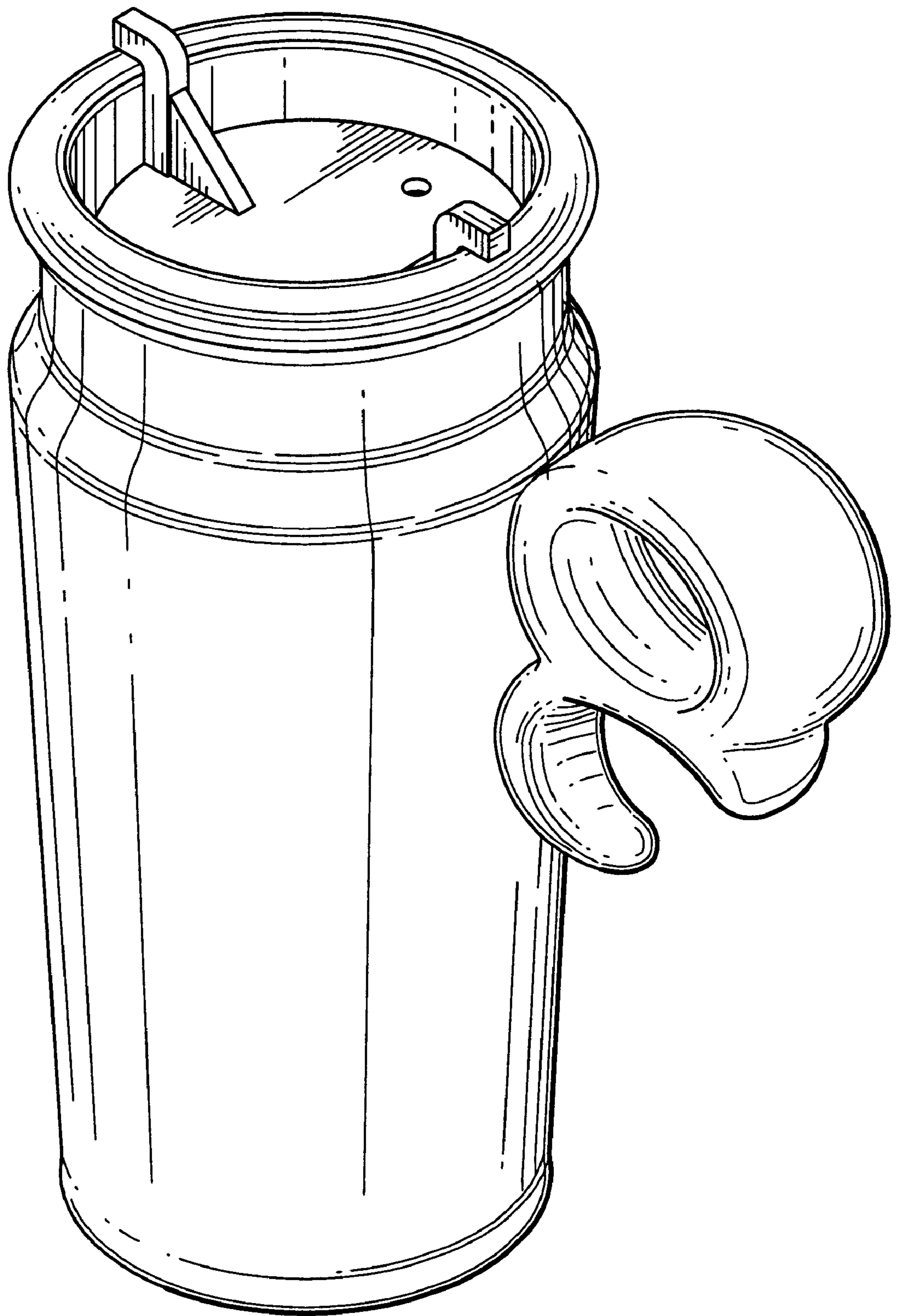
The ornamental design for a container for beverages, as shown and described.

**DESCRIPTION**

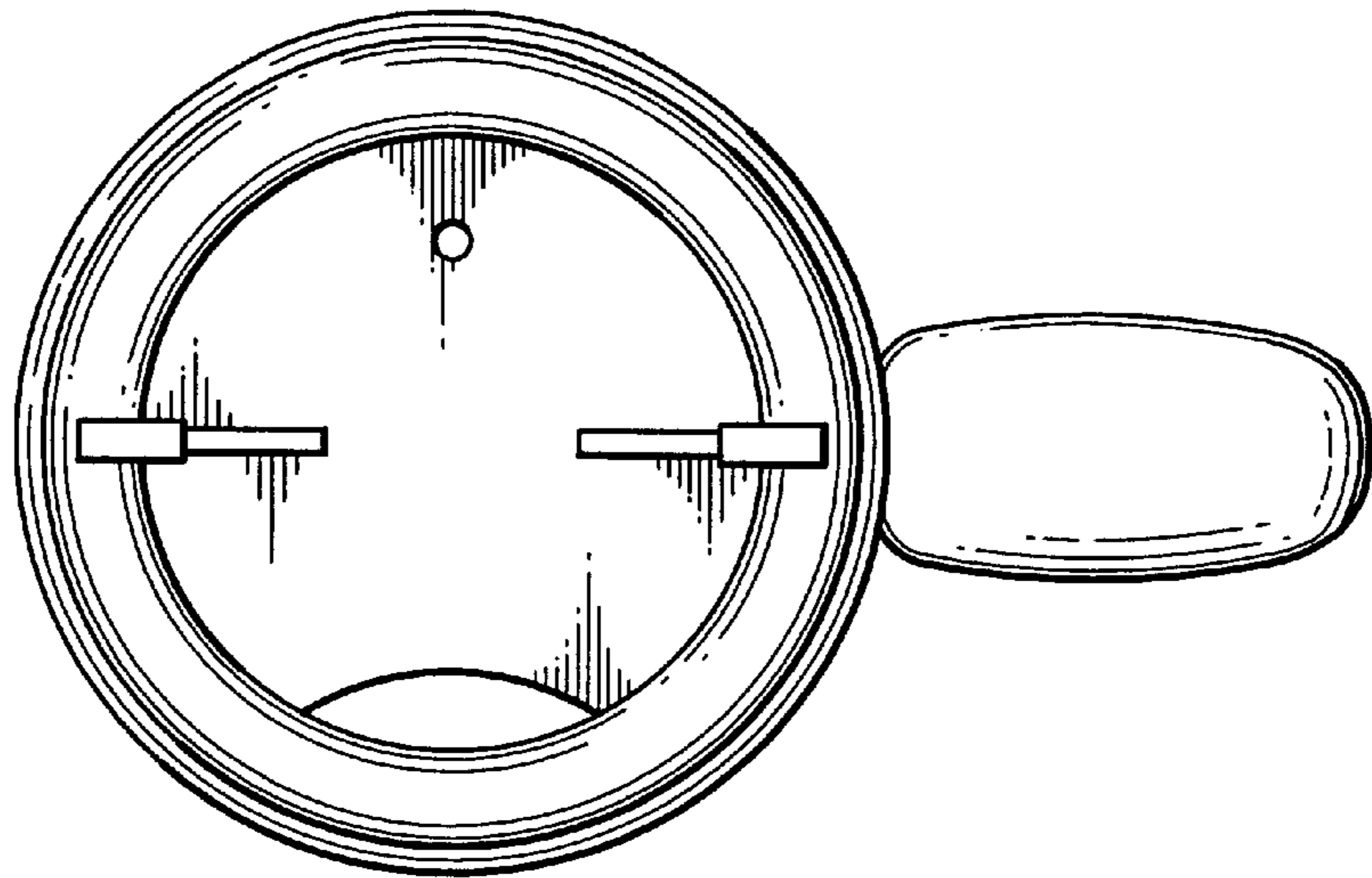
FIG. 1 is a top, front perspective view of a container for beverage showing my new design; FIG. 2 is a front elevational view thereof, the rear elevational view thereof being symmetrical; FIG. 3 is a top plan view thereof; FIG. 4 is a right side elevational view thereof; FIG. 5 is a bottom plan view thereof; and, FIG. 6 is a left side elevational view thereof.

**1 Claim, 3 Drawing Sheets**

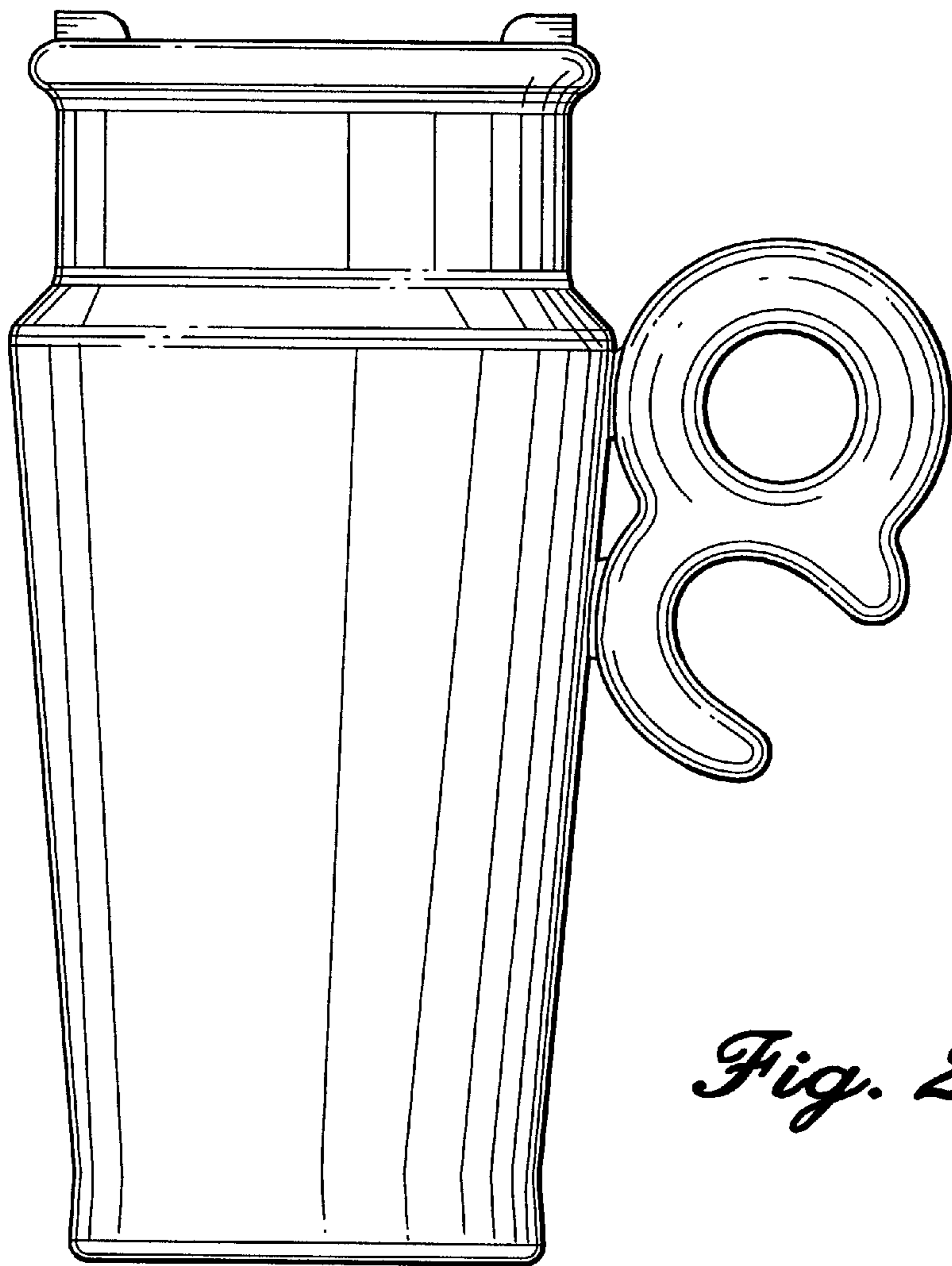




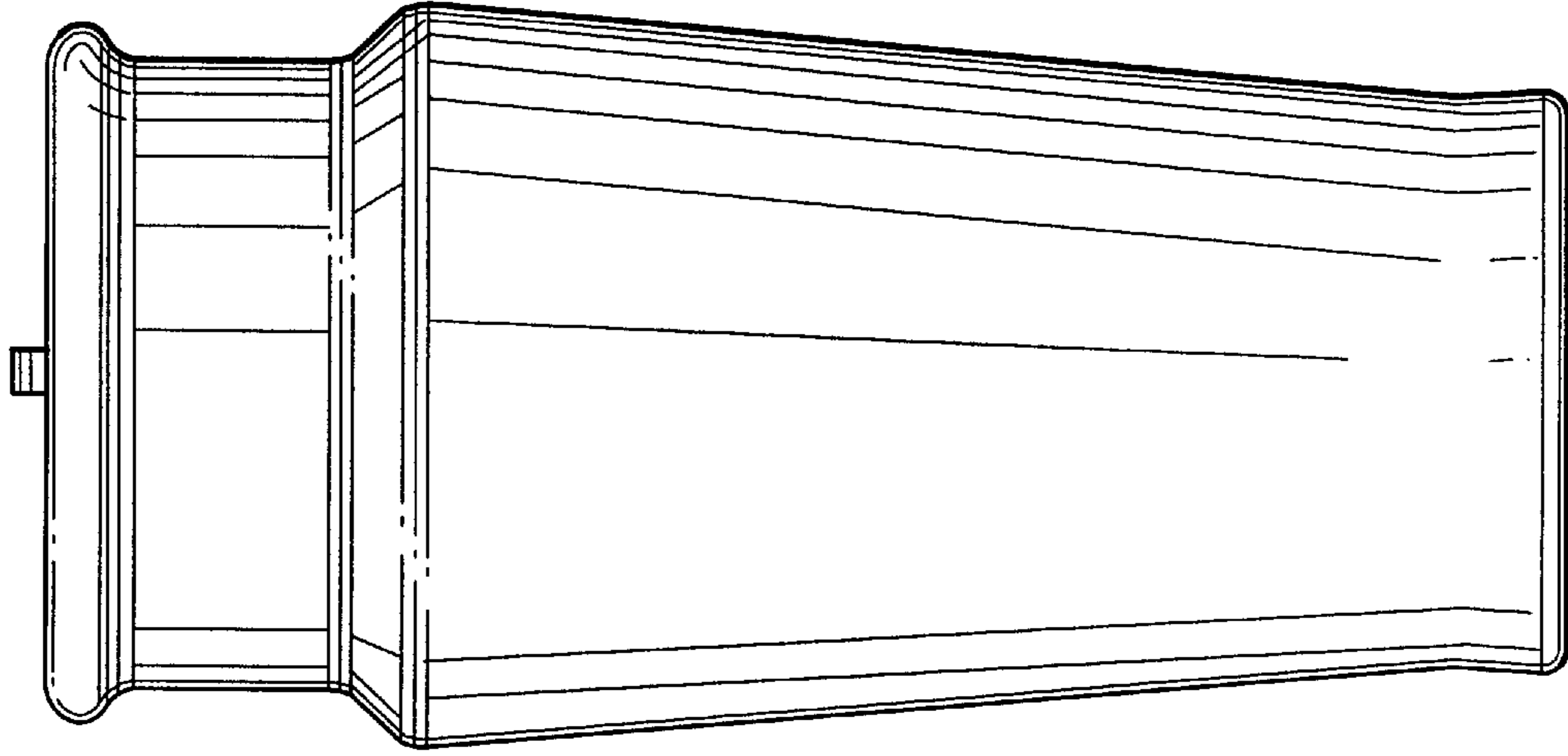
*Fig. 1.*



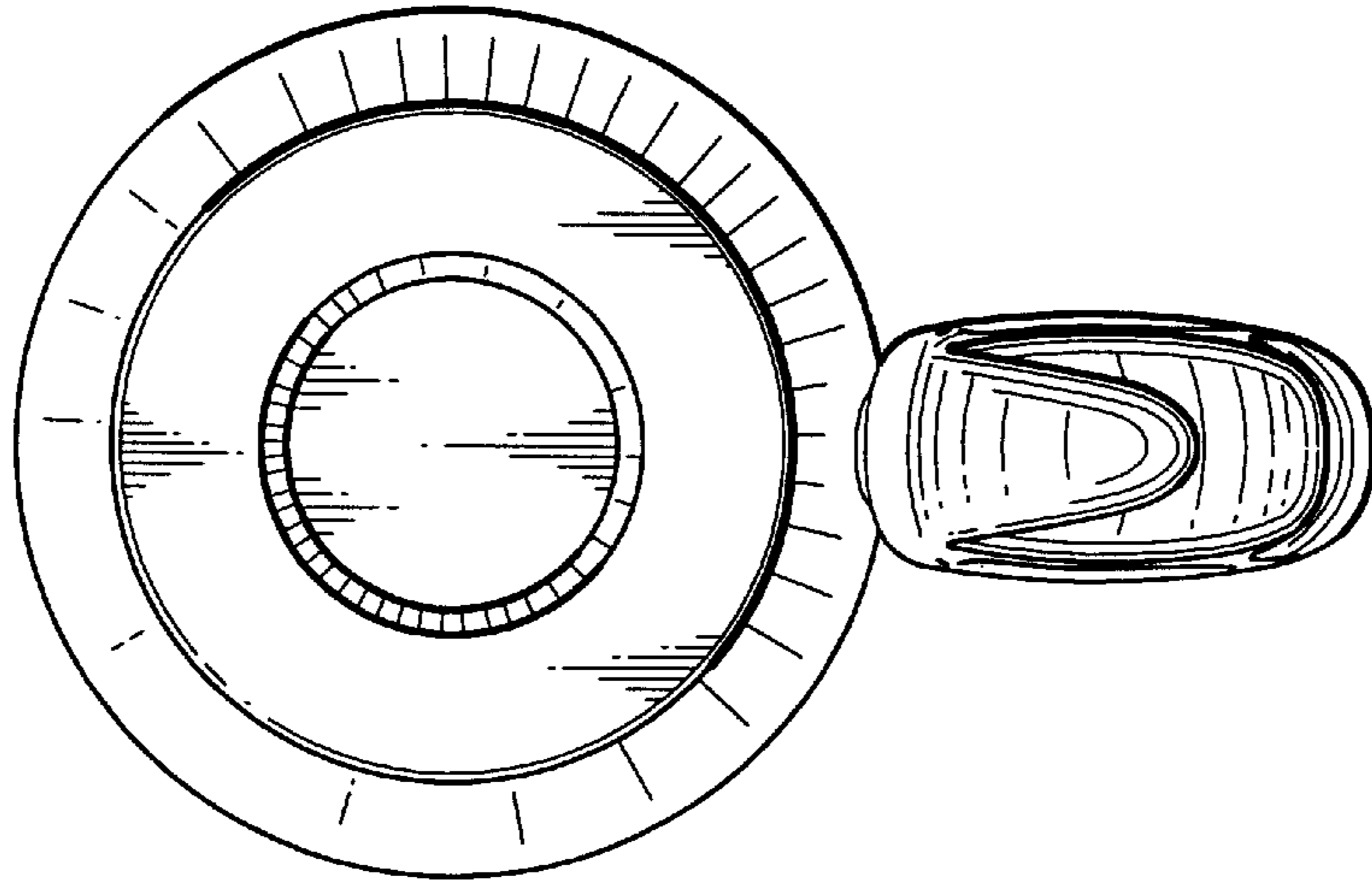
*Fig. 3.*



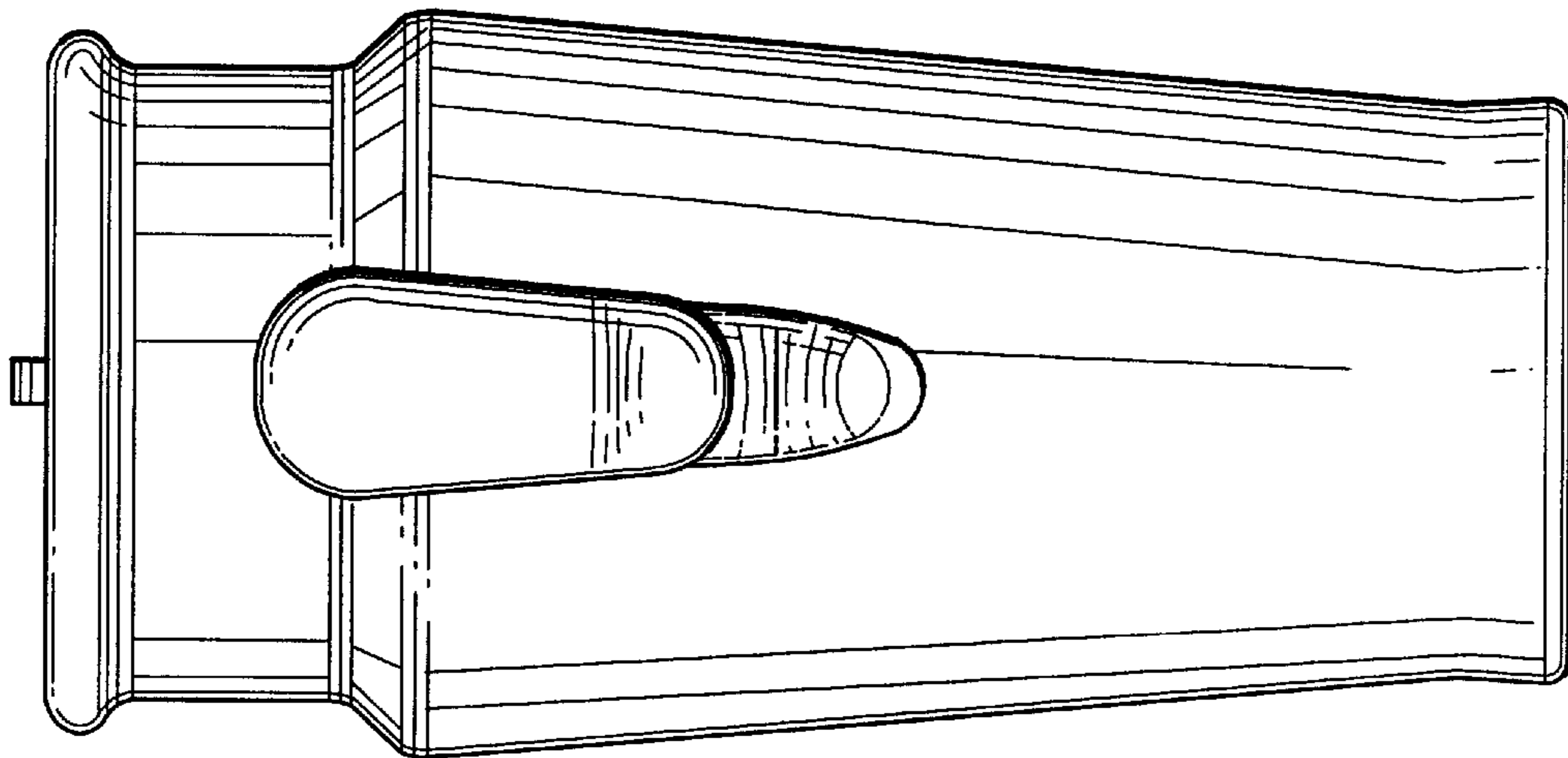
*Fig. 2.*



*Fig. 6.*



*Fig. 5.*



*Fig. 4.*

UNITED STATES PATENT AND TRADEMARK OFFICE  
**CERTIFICATE OF CORRECTION**

PATENT NO. : D409,441  
DATED : May 11, 1999  
INVENTOR(S) : K. Stephenson

It is certified that error appears in the above-identified patent and that said Letters Patent is hereby corrected as shown below:

On the title page: Item

[56] Refs. Cited "D. 287,986 1/1987" should read  
Pg. 1, col. 1 (U.S. Pats., --D. 287,086 12/1986--  
item 2)

[57] Description of "beverage" should read --beverages--  
Pg. 1, col. 2 Figure 1

Signed and Sealed this  
Twelfth Day of October, 1999

*Attest:*



Q. TODD DICKINSON

*Attesting Officer*

*Acting Commissioner of Patents and Trademarks*