



US00D409440S

United States Patent [19] King

[11] Patent Number: **Des. 409,440**

[45] Date of Patent: **** May 11, 1999**

[54] **FRYER TRAY CARRIER**

[75] Inventor: **James D. King**, Kettering, Ohio

[73] Assignee: **Henny Penny Corporation**, Eaton, Ohio

[**] Term: **14 Years**

[21] Appl. No.: **29/069,293**

[22] Filed: **Mar. 25, 1997**

[51] **LOC (6) Cl.** **07-02**

[52] **U.S. Cl.** **D7/409; D7/402**

[58] **Field of Search** **D7/347, 409, 402; 99/326, 336, 403-411, 483; 206/506; 364/400; 426/296, 438**

[56] **References Cited**

U.S. PATENT DOCUMENTS

D. 170,835	11/1953	Sandin	D7/354
D. 206,549	12/1966	Callender	D7/409
D. 336,007	6/1993	King et al.	D7/347
1,266,912	5/1918	Bradbury	99/441
1,603,309	5/1926	Pitman	99/408
2,506,305	5/1950	Maldonado	99/426
2,658,444	11/1953	Wheeler	99/410
2,840,436	6/1958	Mason	312/284
2,875,682	3/1959	Smoot et al.	99/336
3,156,177	11/1964	Sanders	99/339
3,242,849	3/1966	Wells	99/411
3,326,692	6/1967	Martino et al.	99/326 X
3,484,252	12/1969	Popeil	426/438
3,501,316	3/1970	Guthrie, Sr.	426/296
3,563,158	2/1971	Omer	99/326
3,608,473	9/1971	Kearn et al.	99/336
3,685,433	8/1972	Cunningham	99/408
3,690,246	9/1972	Guthrie, Sr.	99/336
3,701,313	10/1972	Boggs	99/330
3,821,925	7/1974	Moore	99/327
3,939,890	2/1976	King	152/209 RD
3,958,503	5/1976	Moore	99/327
3,979,856	9/1976	Belcher	47/76
4,031,820	6/1977	Reed	99/336

4,032,749	6/1977	Price	99/337 X
4,282,423	8/1981	Volz	99/330 X
4,287,818	9/1981	Moore et al.	99/355
4,300,686	11/1981	Leclerc et al.	206/506
4,437,159	3/1984	Waugh	364/400
4,444,095	4/1984	Anetsberger et al.	99/408
4,489,646	12/1984	Schmidt et al.	99/330
4,502,373	3/1985	Keating	99/337
4,508,026	4/1985	Anetsberger et al.	99/407
4,599,990	7/1986	Fritzsche et al.	99/403 X
4,602,612	7/1986	Schwizer	126/391
4,663,710	5/1987	Waugh et al.	364/400
4,742,455	5/1988	Schreyer	364/400
4,785,725	11/1988	Tate et al.	99/330
4,858,119	8/1989	Waugh et al.	364/400
4,930,408	6/1990	King et al.	99/407
4,945,893	8/1990	Manchester	99/403 X
5,033,368	7/1991	Brewer	99/403
5,146,843	9/1992	Fuller et al.	99/483
5,243,898	9/1993	Sakuma	99/408
5,313,876	5/1994	Hilger et al.	99/330
5,402,712	4/1995	King et al.	99/407
5,635,234	6/1997	Svensson	426/438

Primary Examiner—Caron D. Veynar
Attorney, Agent, or Firm—Baker & Botts, L.L.P.

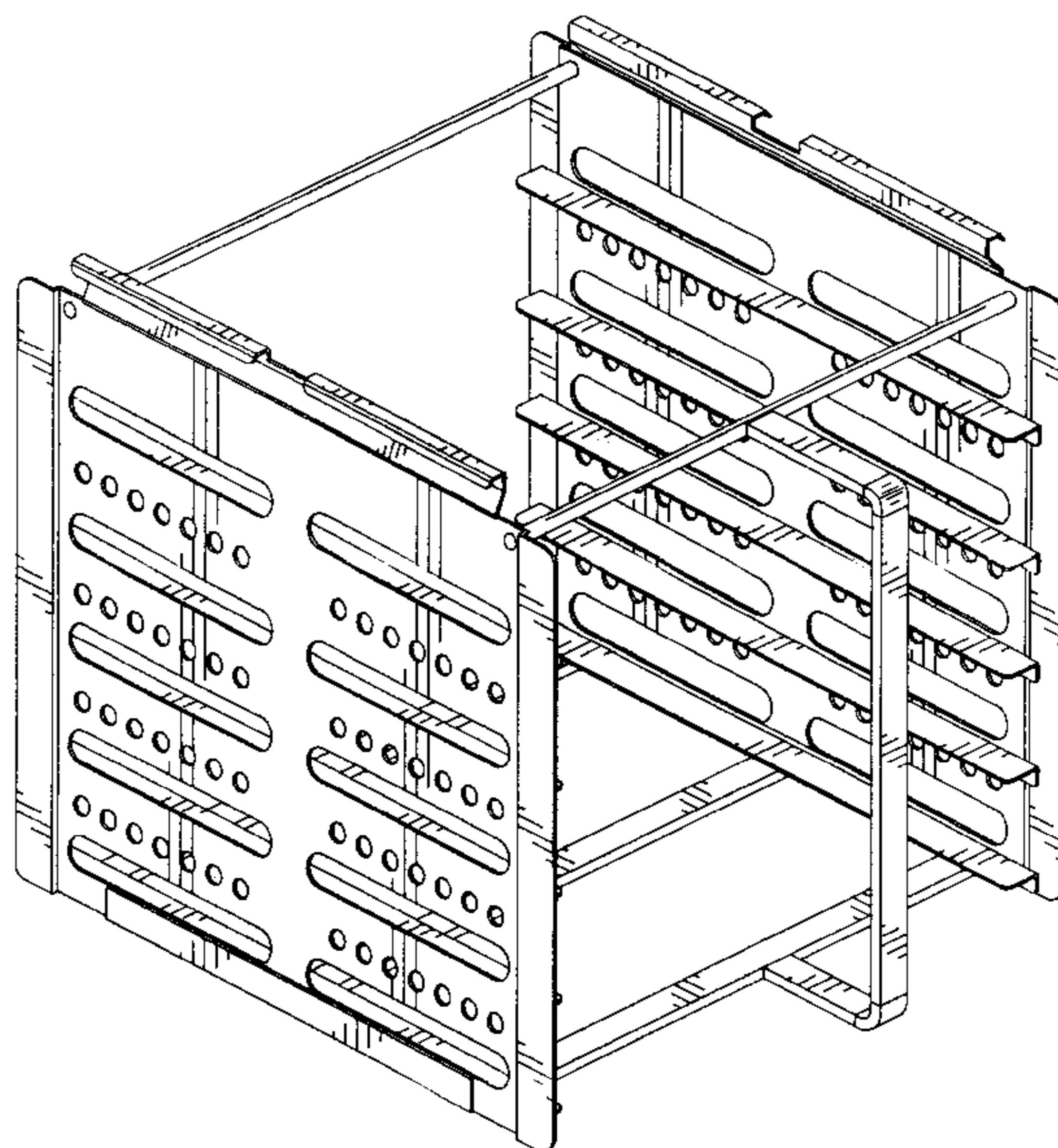
[57] **CLAIM**

The ornamental design for a fryer tray carrier, as shown and described.

DESCRIPTION

FIG. 1 is a rear perspective view of a fryer tray carrier according to my design;
FIG. 2 is a side view of a fryer tray carrier, as shown in FIG. 1, the opposite side view being a mirror image thereof;
FIG. 3 is a frontal view of a fryer tray carrier, as shown in FIG. 1;
FIG. 4 is a bottom view of a fryer tray carrier, as shown in FIG. 1; and,
FIG. 5 is a front perspective view, the broken line showing of a fryer is for illustrative purposes only and forms no part of the claimed design.

1 Claim, 5 Drawing Sheets



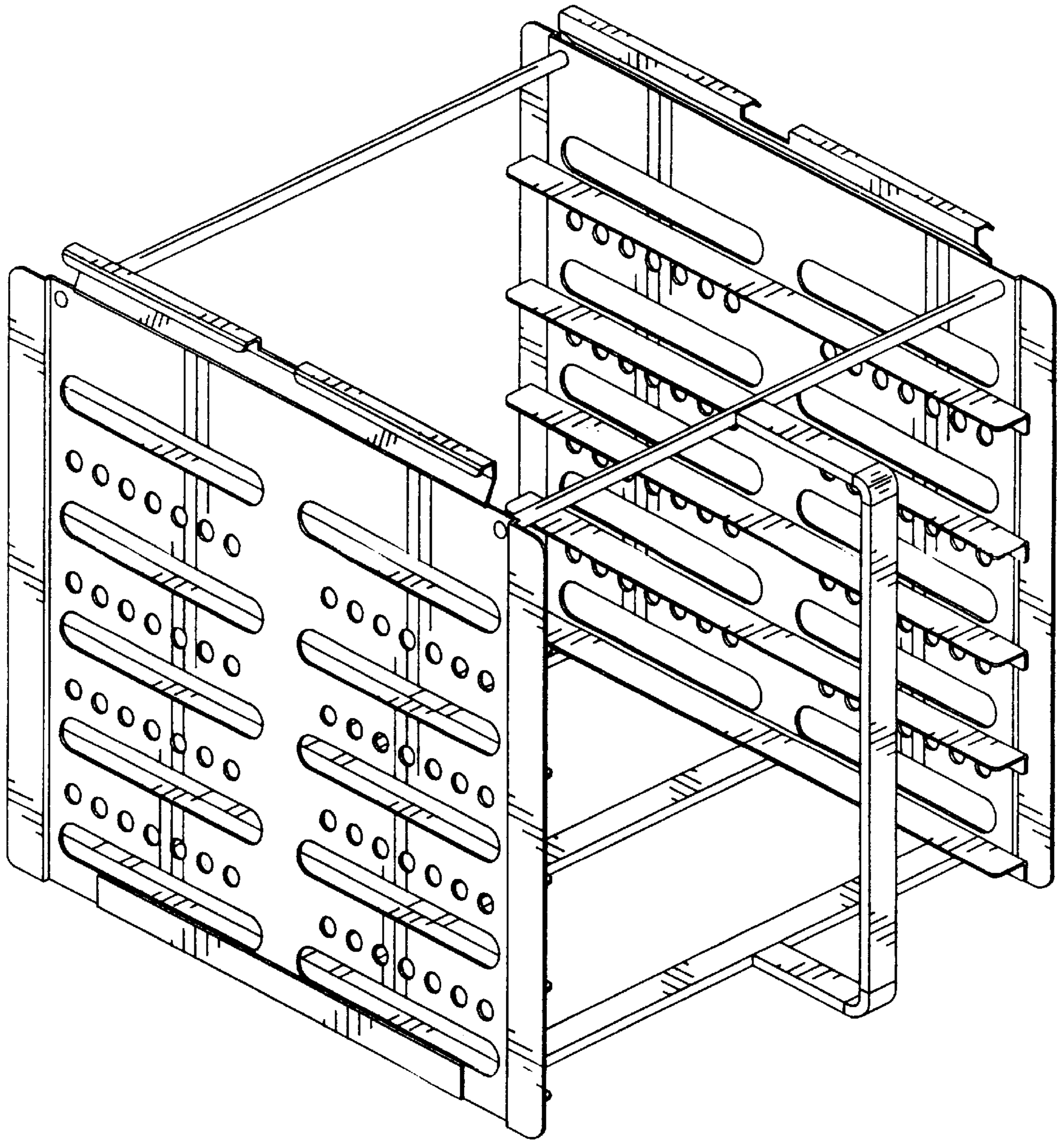


FIG. 1

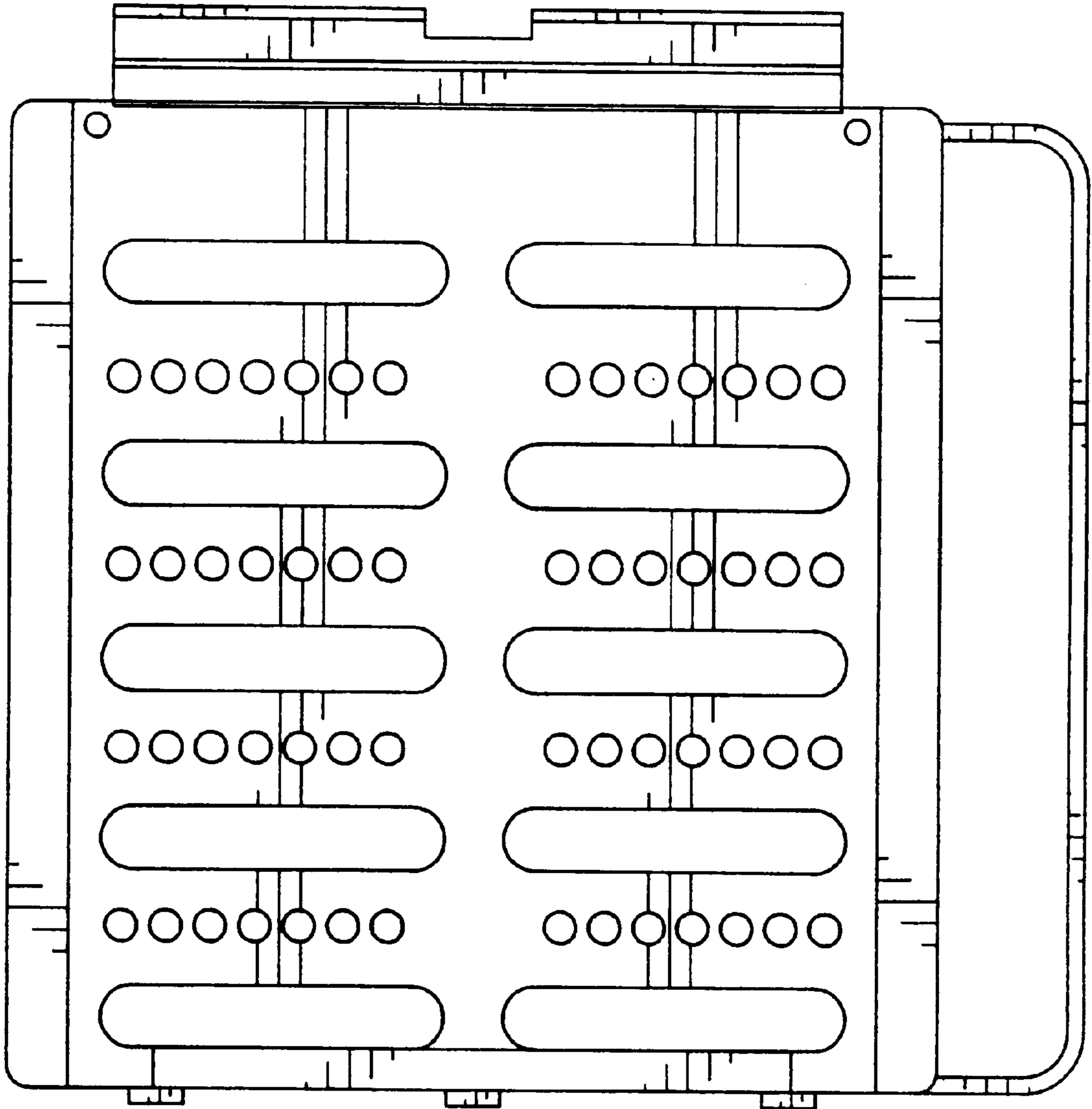


FIG. 2

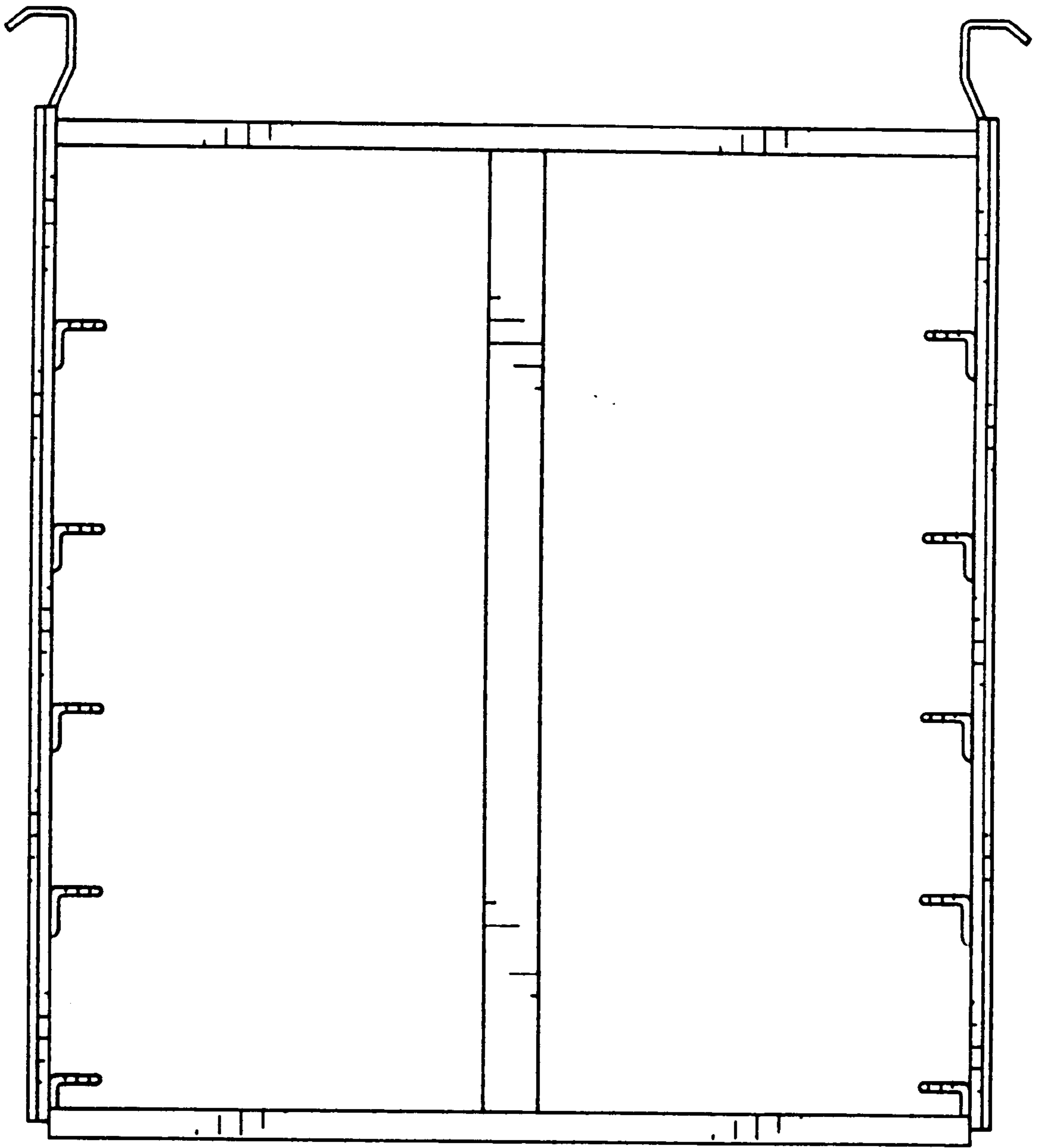


FIG. 3

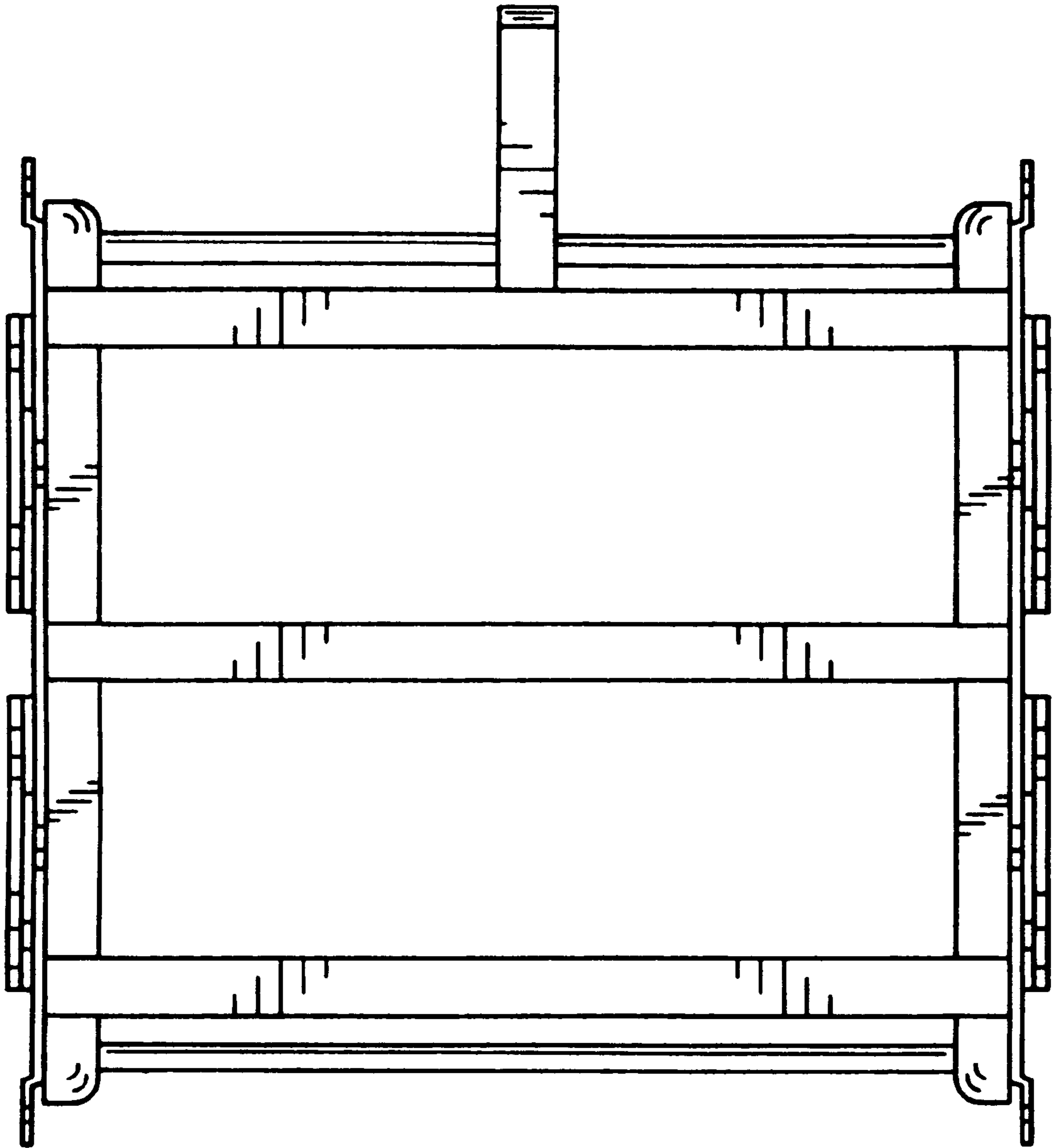


FIG. 4

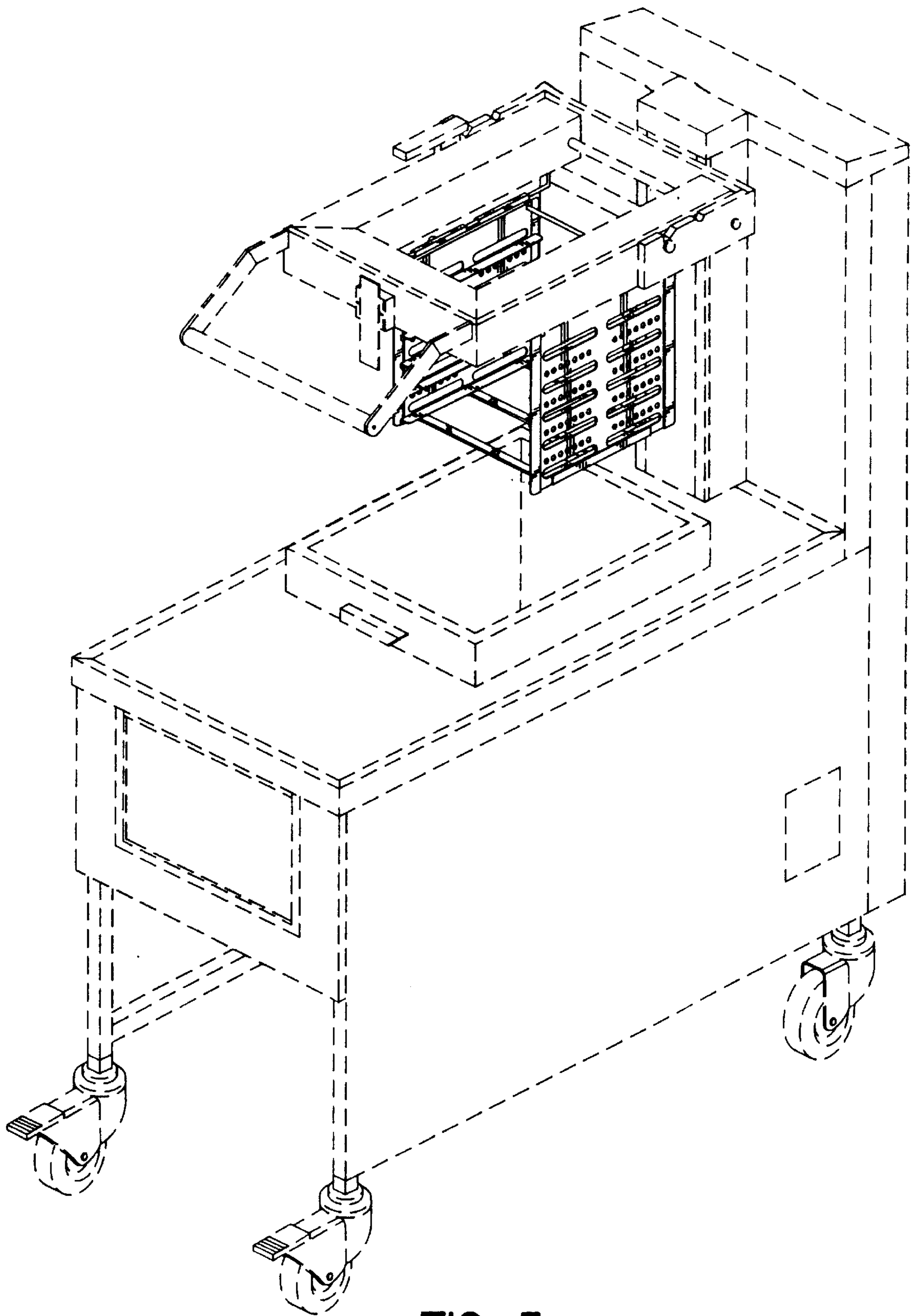


FIG. 5