



US00D409439S

**United States Patent** [19]  
**Precelton**

[11] **Patent Number: Des. 409,439**

[45] **Date of Patent: \*\* May 11, 1999**

[54] **BEVERAGE DISPENSER CASING**

[75] Inventor: **Roger Albert Precelton,**  
Stratford-on-Avon, United Kingdom

[73] Assignee: **Whitleng Drink Equipment Limited,**  
United Kingdom

[\*\*] Term: **14 Years**

[21] Appl. No.: **29/072,442**

[22] Filed: **Jun. 17, 1997**

[30] **Foreign Application Priority Data**

Dec. 17, 1996 [GB] United Kingdom ..... 2061819

[51] **LOC (6) Cl.** ..... **07-91**

[52] **U.S. Cl.** ..... **D7/397; D7/307; D7/308**

[58] **Field of Search** ..... **D7/392, 397, 300,**  
**D7/306, 307, 308, 322, 313; 222/129.1-129.4,**  
**183**

[56] **References Cited**

**U.S. PATENT DOCUMENTS**

D. 218,083 7/1970 Hartley ..... D7/307

D. 259,725 6/1981 Wasserstrom et al. .... D7/307  
D. 301,193 5/1989 Schechter ..... D7/308  
D. 369,937 5/1996 Guadalupi ..... D7/300  
D. 373,045 8/1996 Guadalupi ..... D7/300  
D. 378,884 4/1997 Guadalupi ..... D7/392

*Primary Examiner*—M. N. Pandozzi  
*Attorney, Agent, or Firm*—Kirschstein, et al

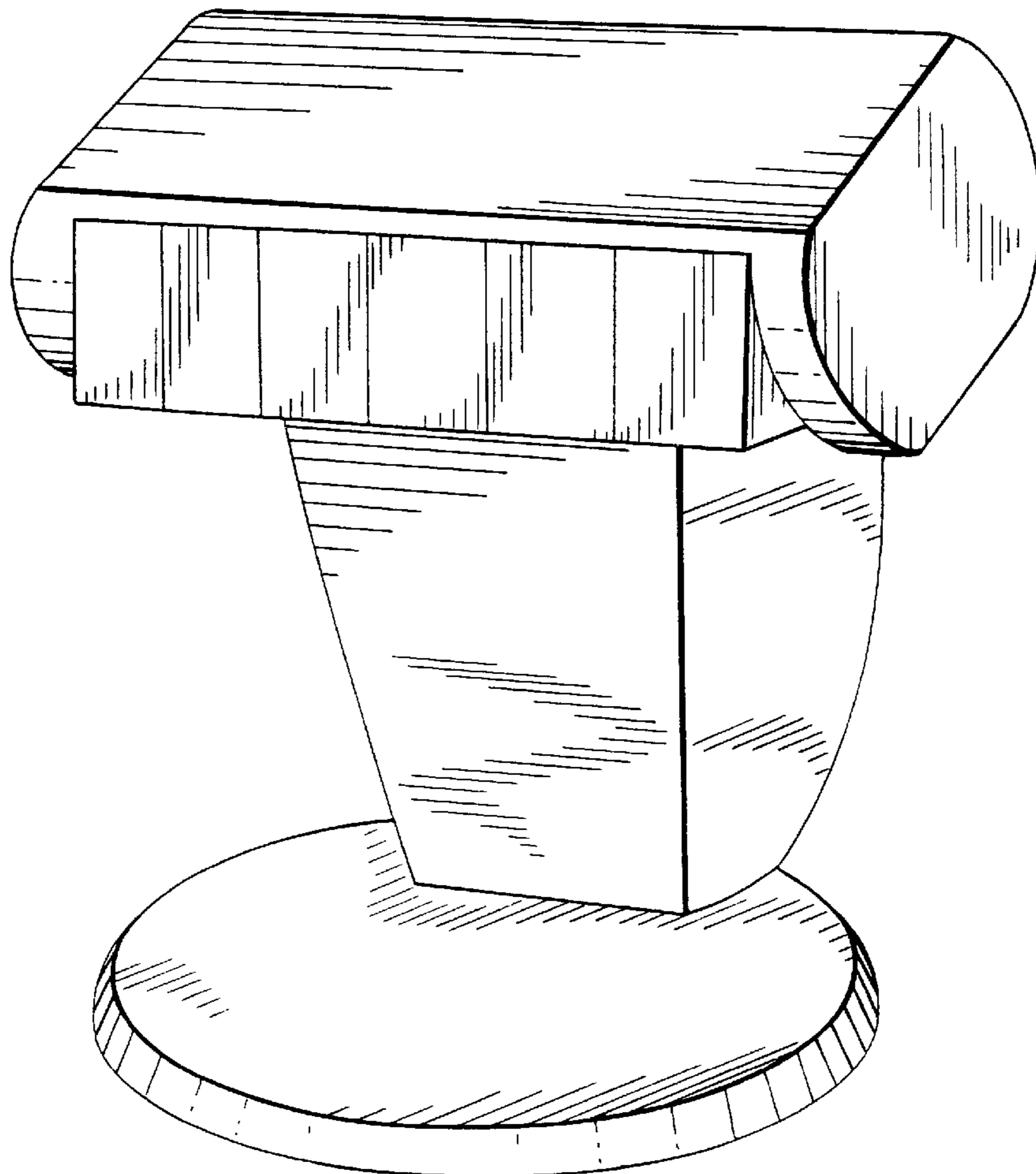
[57] **CLAIM**

The ornamental design for a beverage dispenser casing, as shown and described.

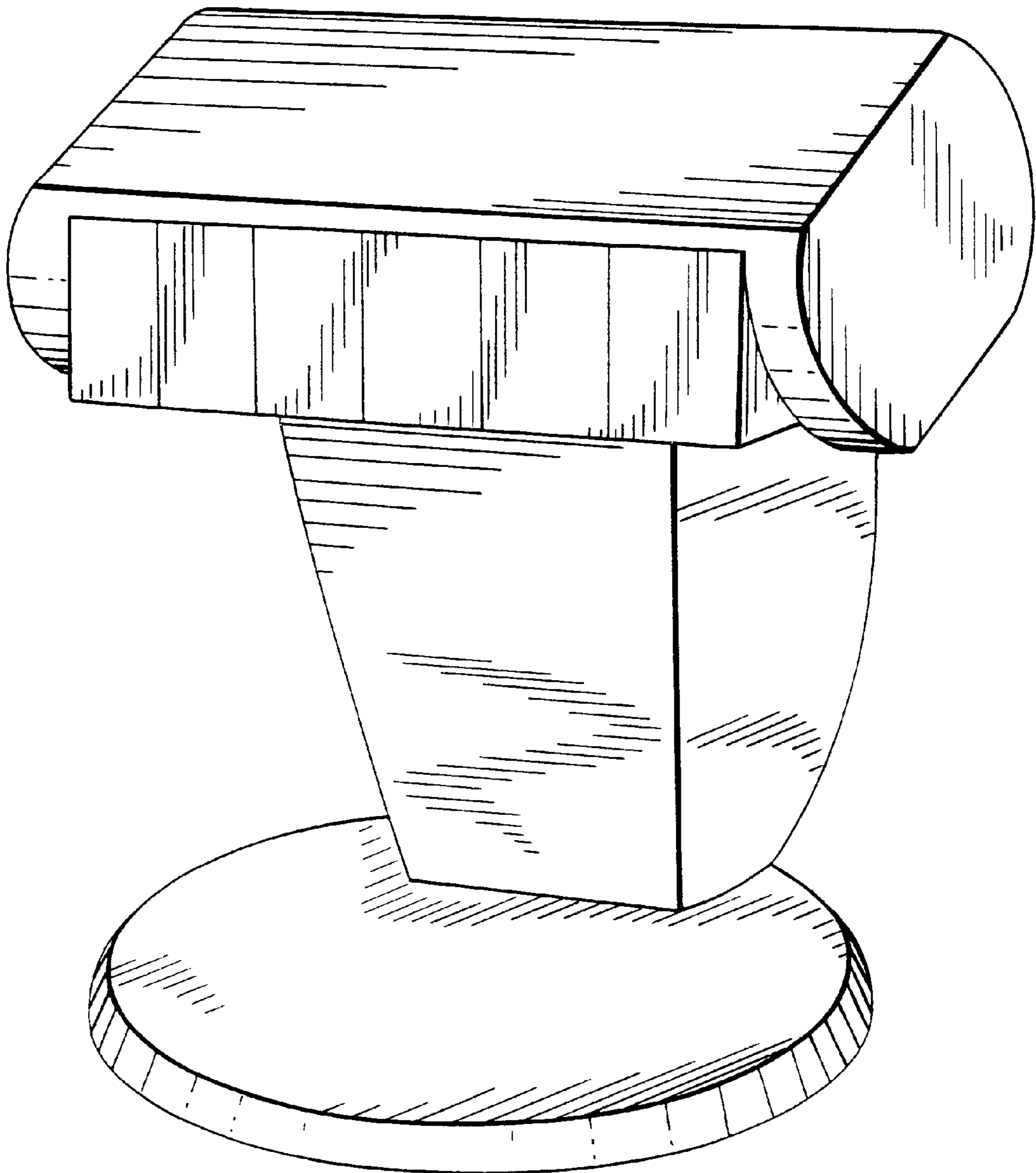
**DESCRIPTION**

FIG. 1 is a front, top, right side perspective view of a beverage dispensing casing showing my new design; FIG. 2 is a rear and left side perspective view thereof; FIG. 3 is a right side elevational view thereof; FIG. 4 is a front elevational view thereof; FIG. 5 is a top plan view thereof; FIG. 6 is a rear elevational view thereof; and, FIG. 7 is a bottom plan view thereof.

**1 Claim, 4 Drawing Sheets**



*FIG. 1*



*FIG. 2*

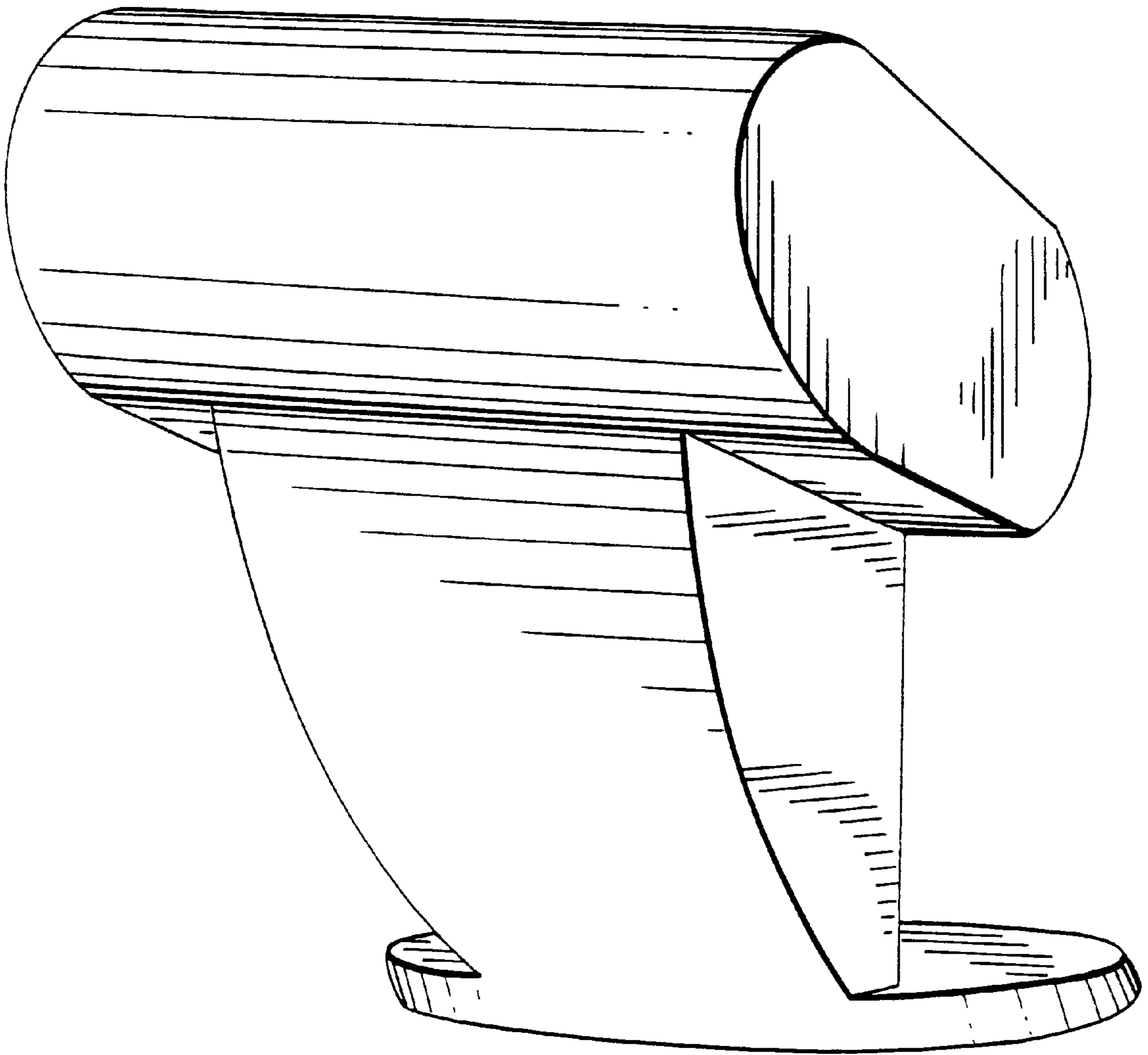


FIG. 4

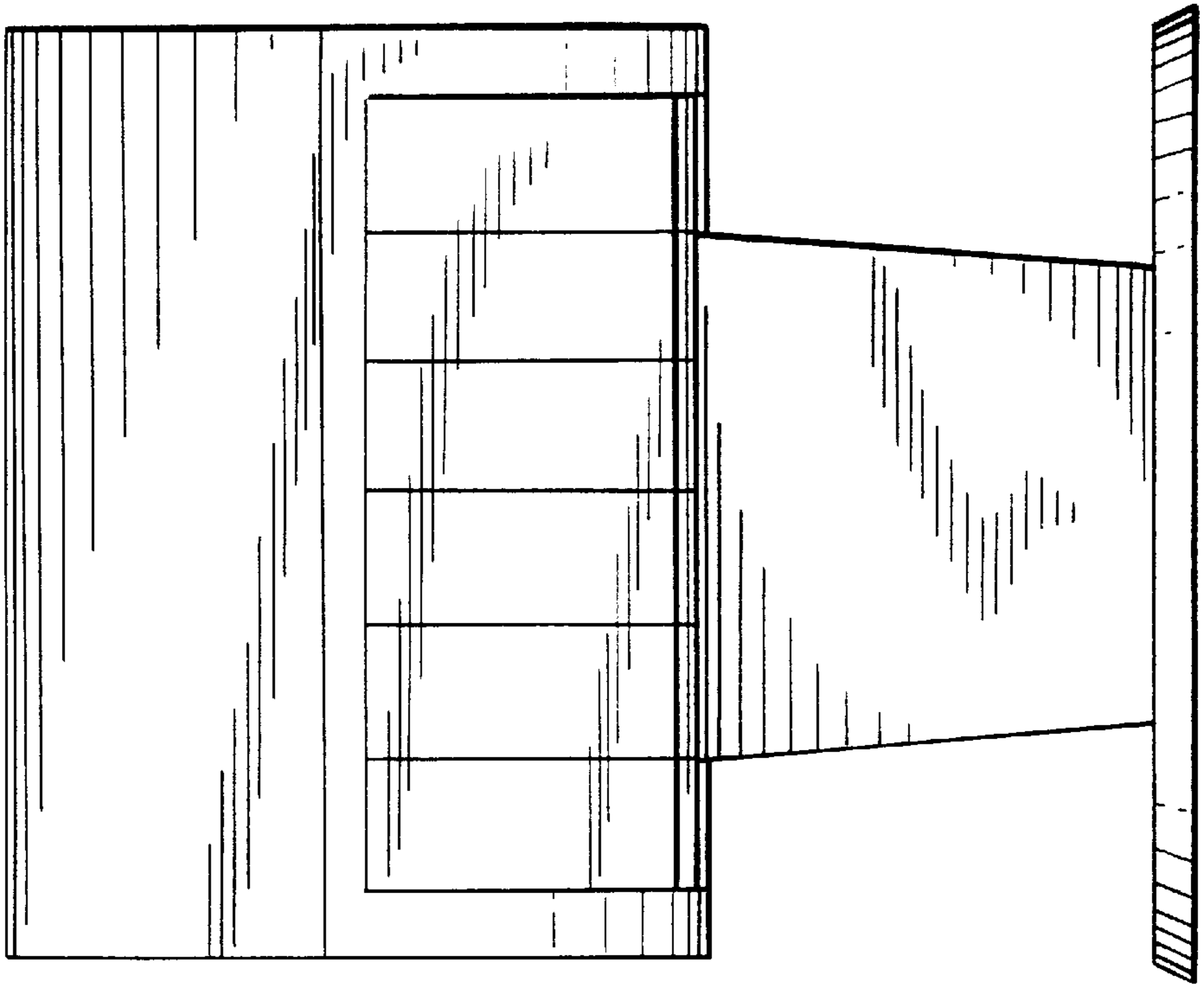


FIG. 3

