



US00D409433S

# United States Patent [19]

Applegate et al.

[11] Patent Number: **Des. 409,433**

[45] Date of Patent: **\*\* May 11, 1999**

[54] **BEVERAGE SERVER**

[75] Inventors: **Robert Applegate**, Fountain Valley, Calif.; **Jeffrey C. Brown**, Seattle, Wash.; **Gustavo Caicedo**, Mission Viejo; **Mark Eike**, Lake Forest, both of Calif.

[73] Assignee: **B E Aerospace, Inc.**, Delray Beach, Fla.

[\*\*] Term: **14 Years**

[21] Appl. No.: **29/083,793**

[22] Filed: **Feb. 16, 1998**

[51] **LOC (6) Cl.** ..... **07-01**

[52] **U.S. Cl.** ..... **D7/319; D7/318**

[58] **Field of Search** ..... D7/301, 302, 300, D7/312, 313, 316, 317, 318, 319, 321, 322; 222/472, 465.1, 425

[56] **References Cited**

**U.S. PATENT DOCUMENTS**

- D. 175,086 7/1955 Mango ..... D7/318
- D. 207,497 4/1967 Scavullo ..... D7/317

- D. 285,039 8/1986 Zimmermann ..... D7/317
- D. 285,278 8/1986 Zimmerman ..... D7/321
- D. 326,791 6/1992 Rixen ..... D7/317
- D. 352,862 11/1994 Hollinger ..... D7/302
- D. 395,571 6/1998 Antista et al. .... D7/302
- 4,754,888 7/1988 Letsch et al. .... 222/425
- 4,825,757 5/1989 Stoner ..... 222/465.1

*Primary Examiner*—M. N. Pandozzi  
*Attorney, Agent, or Firm*—Quarles & Brady LLP

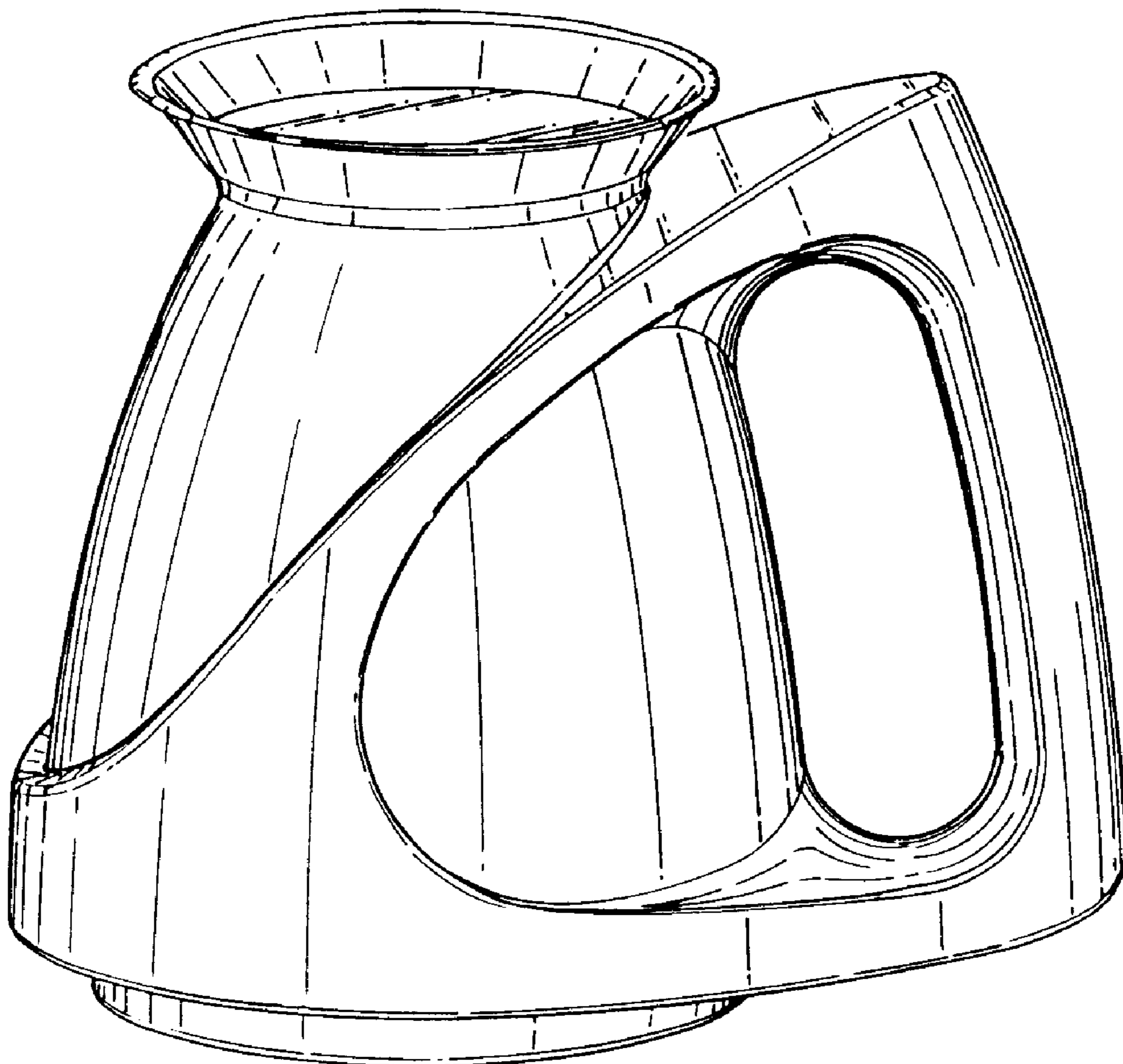
[57] **CLAIM**

An ornamental design for a beverage server, as shown and described.

**DESCRIPTION**

FIG. 1 is a perspective view of the beverage server according to the present invention.  
 FIG. 2 is a right elevation view of the beverage server in FIG. 1, the left elevation being a mirror image thereof.  
 FIG. 3 is a front elevation view of the beverage server in FIG. 1;  
 FIG. 4 is a rear elevational view of the beverage server in FIG. 1;  
 FIG. 5 is a top view of the beverage server in FIG. 1; and,  
 FIG. 6 is a bottom view of the beverage server in FIG. 1.

**1 Claim, 3 Drawing Sheets**



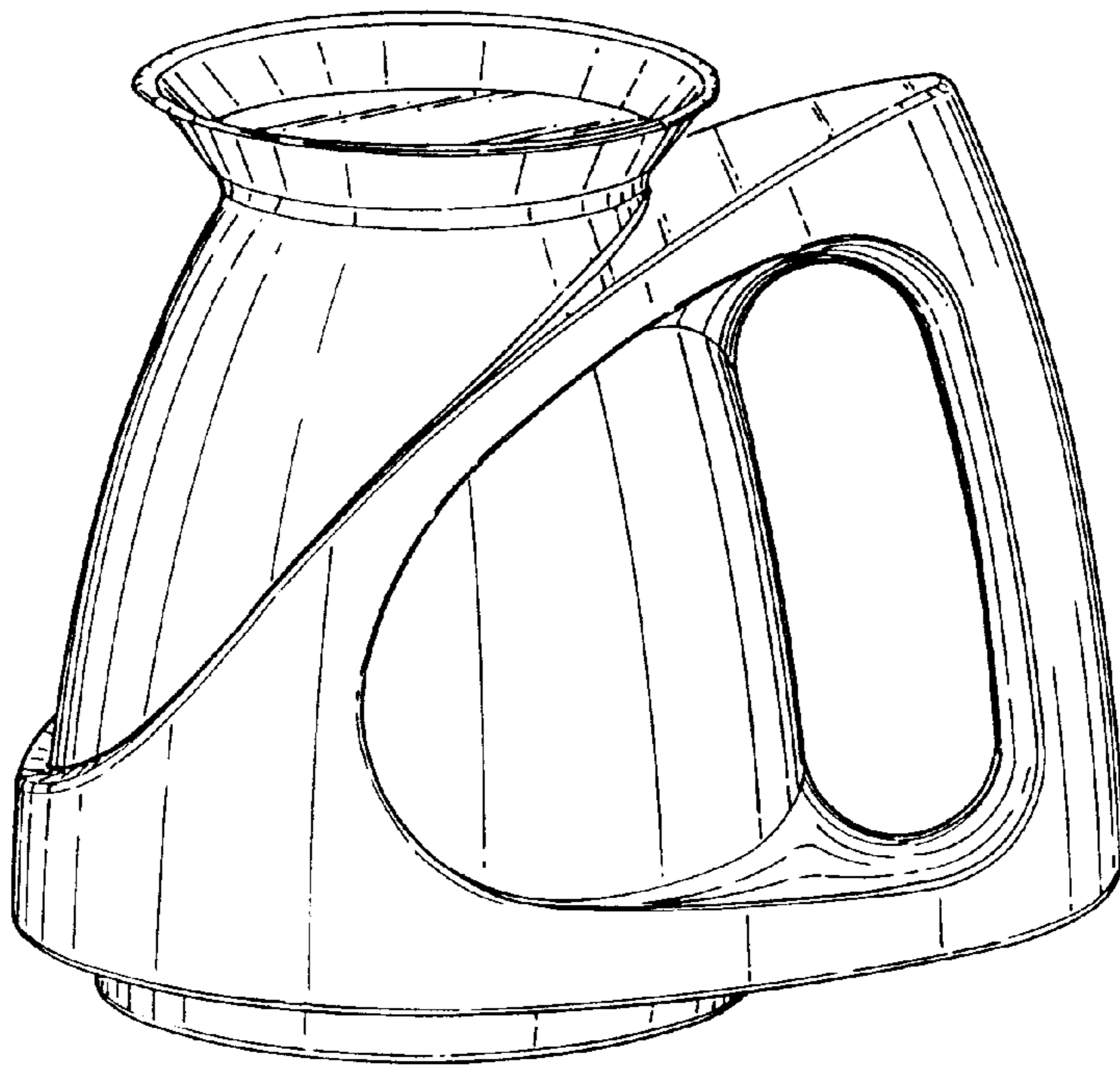


FIG. 1

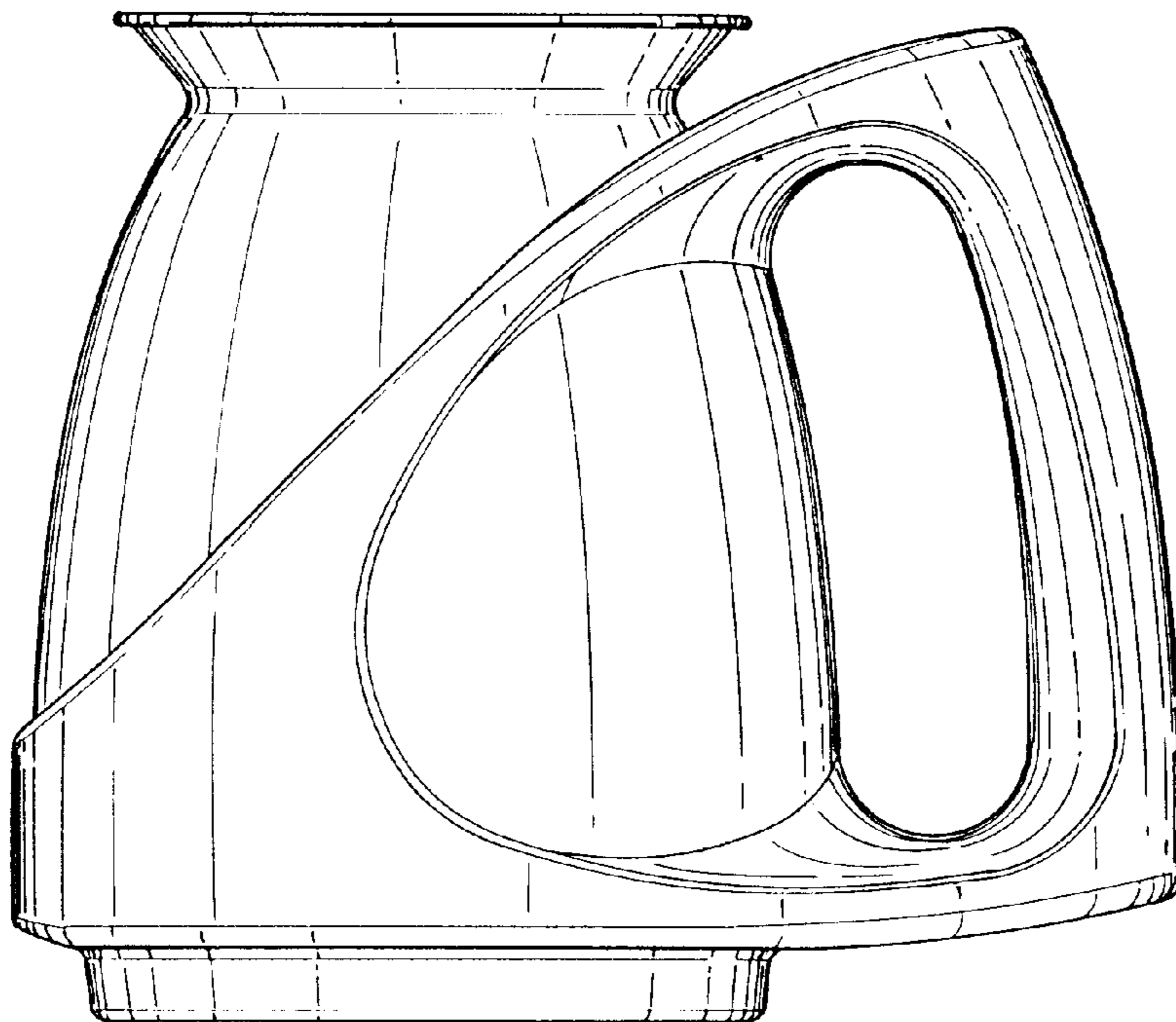


FIG. 2

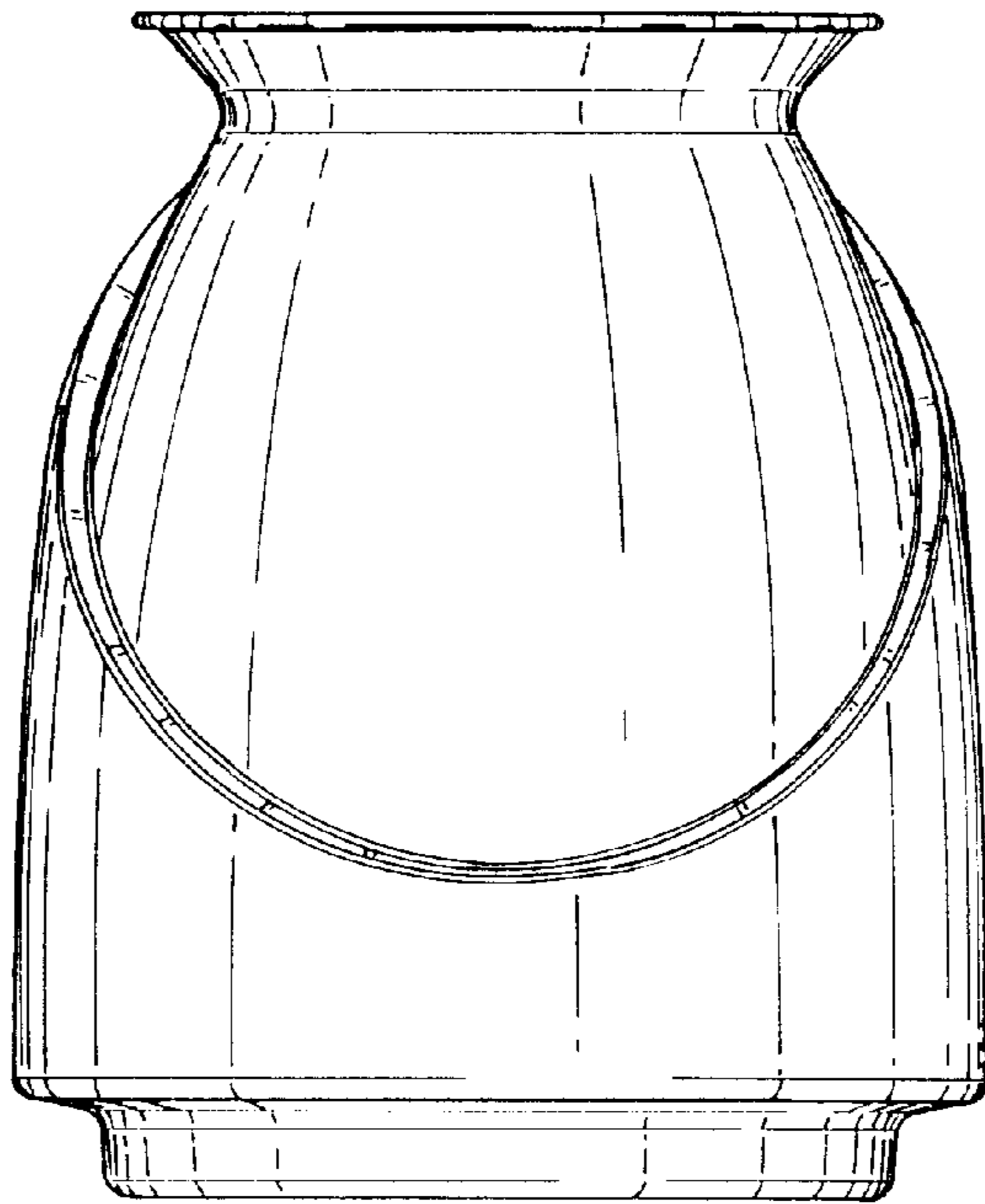


FIG. 3

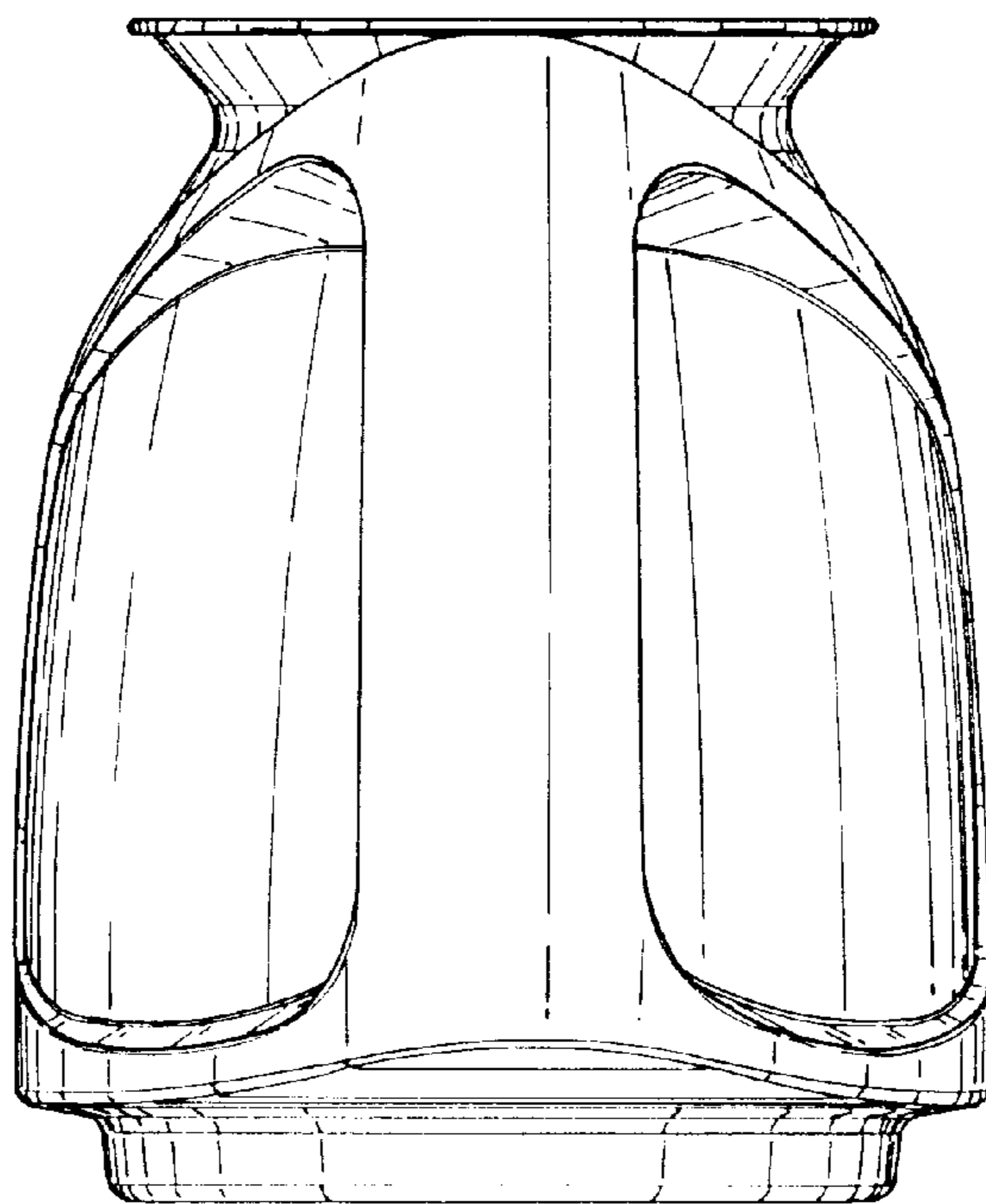


FIG. 4

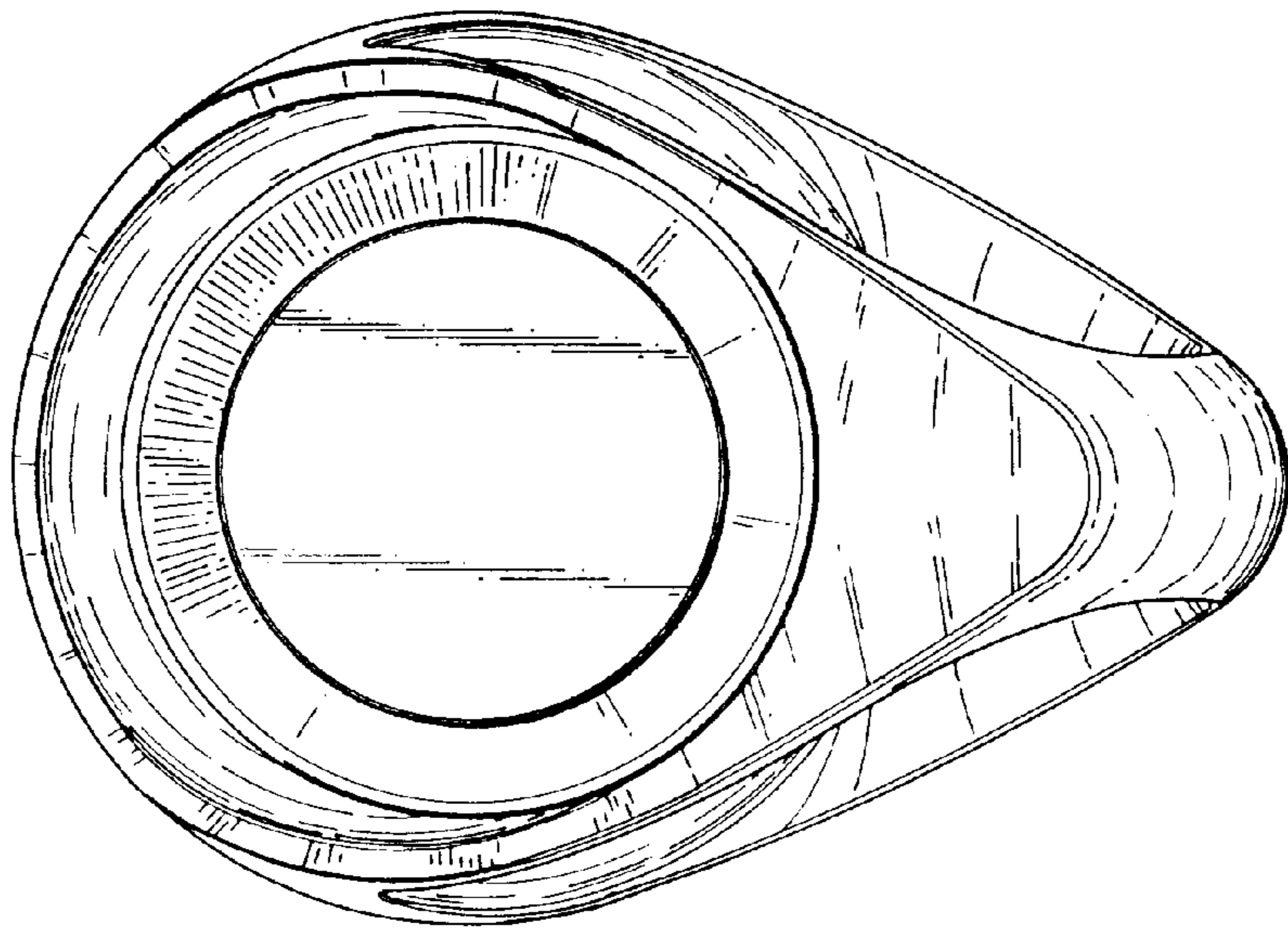


FIG. 5

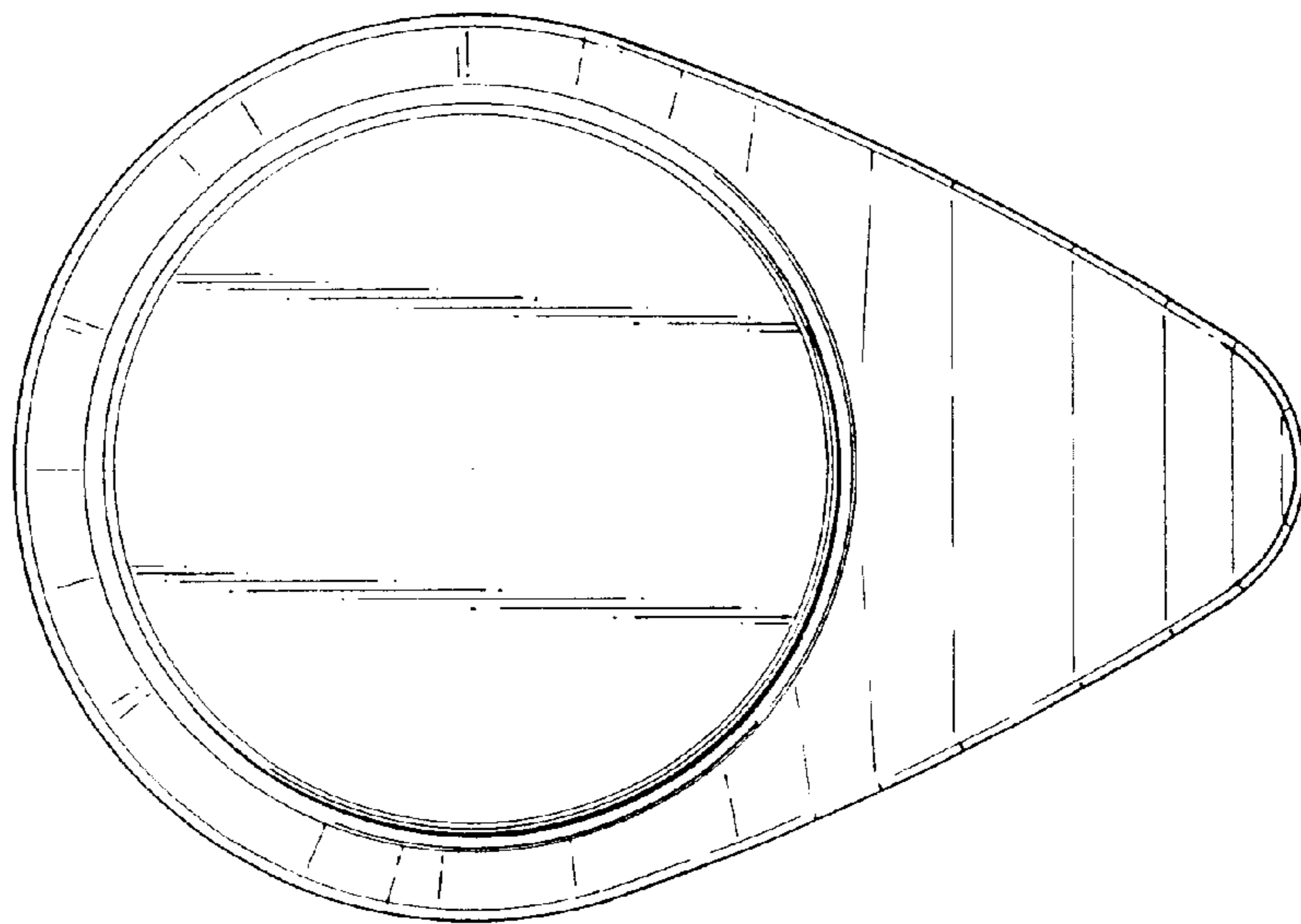


FIG. 6