

US00D409427S

# United States Patent [19]

[11] Patent Number: Des. 409,427

Ford et al.

[45] Date of Patent: \*\* May 11, 1999

[54] TOP AND BOTTOM OF A PROTECTIVE MAT

[76] Inventors: Carol Ann Ford; Glenn Martin Ford, both of P.O. Box 23, Ragland, Ala. 35131

[\*\*] Term: 14 Years

[21] Appl. No.: 29/072,030

[22] Filed: Jun. 12, 1997

- D. 221,400 8/1971 O'Donnell .
- D. 253,985 1/1980 Bond .
- D. 315,465 3/1991 Smith .
- 1,633,951 6/1927 O'Toole .
- 1,641,029 8/1927 Gaudet .
- 2,057,162 10/1936 Richey ..... 428/77
- 2,152,719 4/1939 Williams .
- 2,187,676 1/1940 Biewen .
- 2,771,613 11/1956 Markiewicz .
- 4,125,656 11/1978 Creamer .
- 4,285,075 8/1981 Nelson .
- 4,766,626 8/1988 Green .

### Related U.S. Application Data

[63] Continuation-in-part of application No. 29/054,694, May 20, 1996, abandoned.

[51] LOC (6) Cl. .... 06-11

[52] U.S. Cl. .... D6/583

[58] Field of Search ..... D6/582, 583, 594; 4/251.1, 252.6, 300, 581; 296/37.2; 297/219.1, 219.11, 228.12; 428/80-82, 93-95, 77, 88, 85, 89, 16; 280/32.6; 5/215; 2/49.1, 49.2

Primary Examiner—Freda Nunn  
Attorney, Agent, or Firm—Richard C. Litman

### [57] CLAIM

The ornamental design for a top and bottom of a protective mat, as shown and described.

### DESCRIPTION

FIG. 1 is a top plan view of a top and bottom of a protective mat showing our new design; and, FIG. 2 is a bottom plan view thereof. The cross hatching and broken lines along the edges in the figures represents stitching, and the pattern partially shown for ease of illustration is understood to continue across the entire area as indicated.

### [56] References Cited

#### U.S. PATENT DOCUMENTS

D. 134,684 12/1942 Samuels .

1 Claim, 2 Drawing Sheets

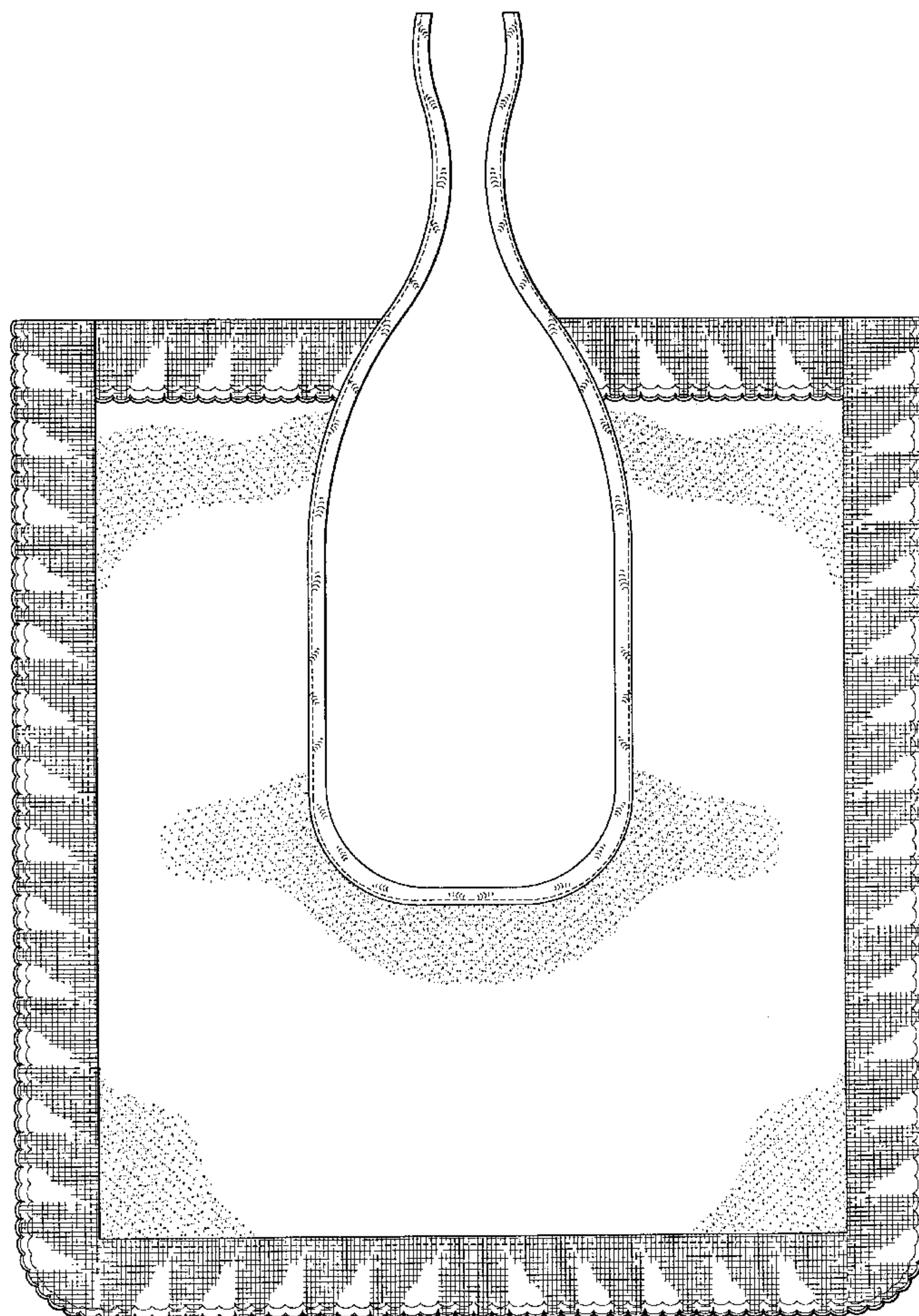


FIG. 1

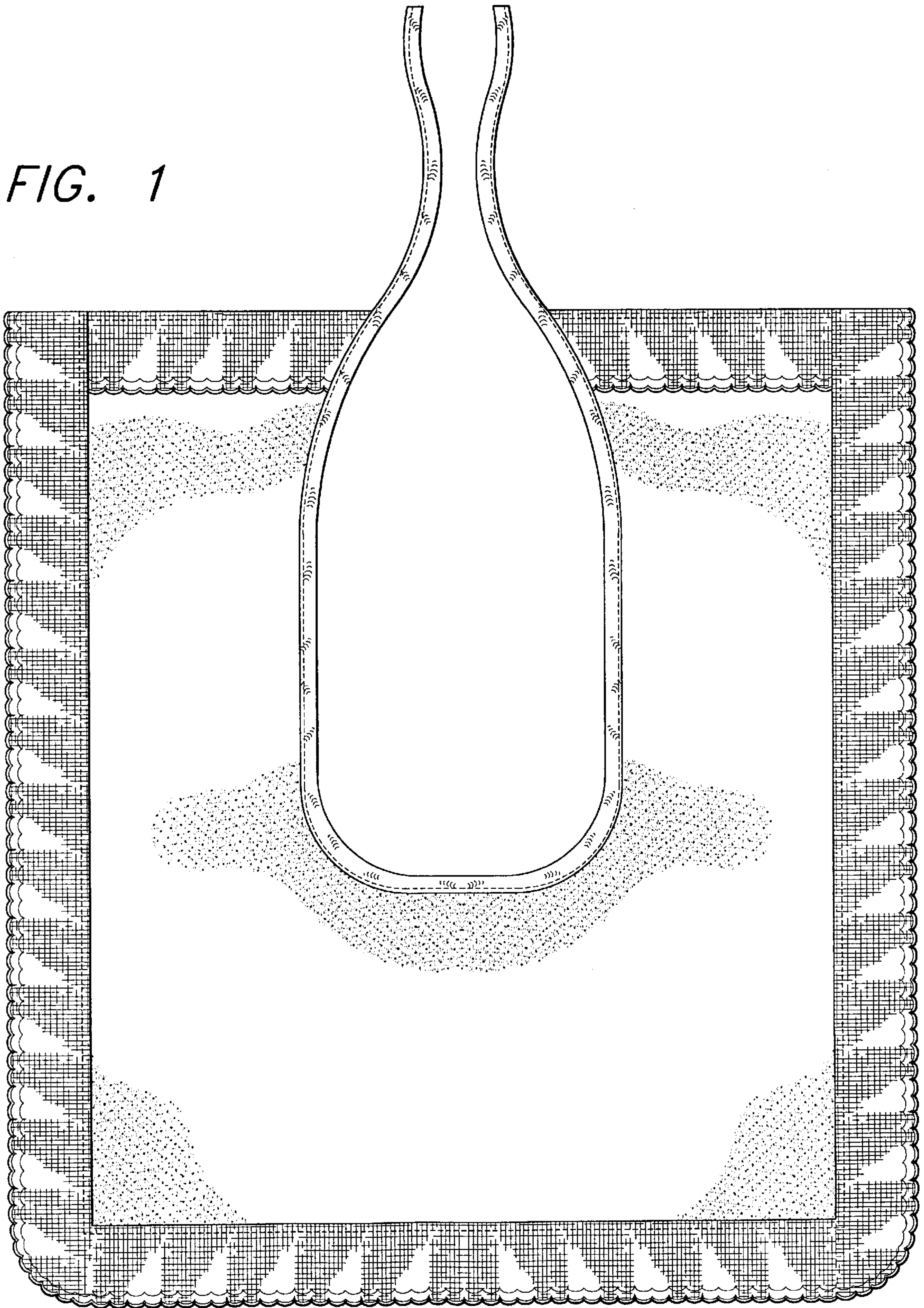




FIG. 2

