



US00D409423S

United States Patent [19]

Malik

[11] **Patent Number: Des. 409,423**

[45] **Date of Patent: ** May 11, 1999**

[54] **BAG ROLL STOP FOR A BAG HOLDER MEMBER**

D. 390,054 2/1998 Goodman D6/522
D. 393,389 4/1998 Thurston-Chartraw et al. D6/523
3,227,386 1/1966 Pitcher 211/181.1 X

[75] Inventor: **James J. Malik**, Parma Heights, Ohio

Primary Examiner—Brian N. Vinson
Attorney, Agent, or Firm—Lightbody & Lucas

[73] Assignee: **James Malik**, Parma Heights, Ohio

[**] Term: **14 Years**

[57] **CLAIM**

[21] Appl. No.: **29/075,831**

The ornamental design for a bag roll stop for a bag holder member, as shown and described.

[22] Filed: **Aug. 29, 1997**

DESCRIPTION

[51] **LOC (6) Cl.** **07-07**

[52] **U.S. Cl.** **D6/518**

[58] **Field of Search** D6/566, 518-523;
225/93, 106; 211/181.1

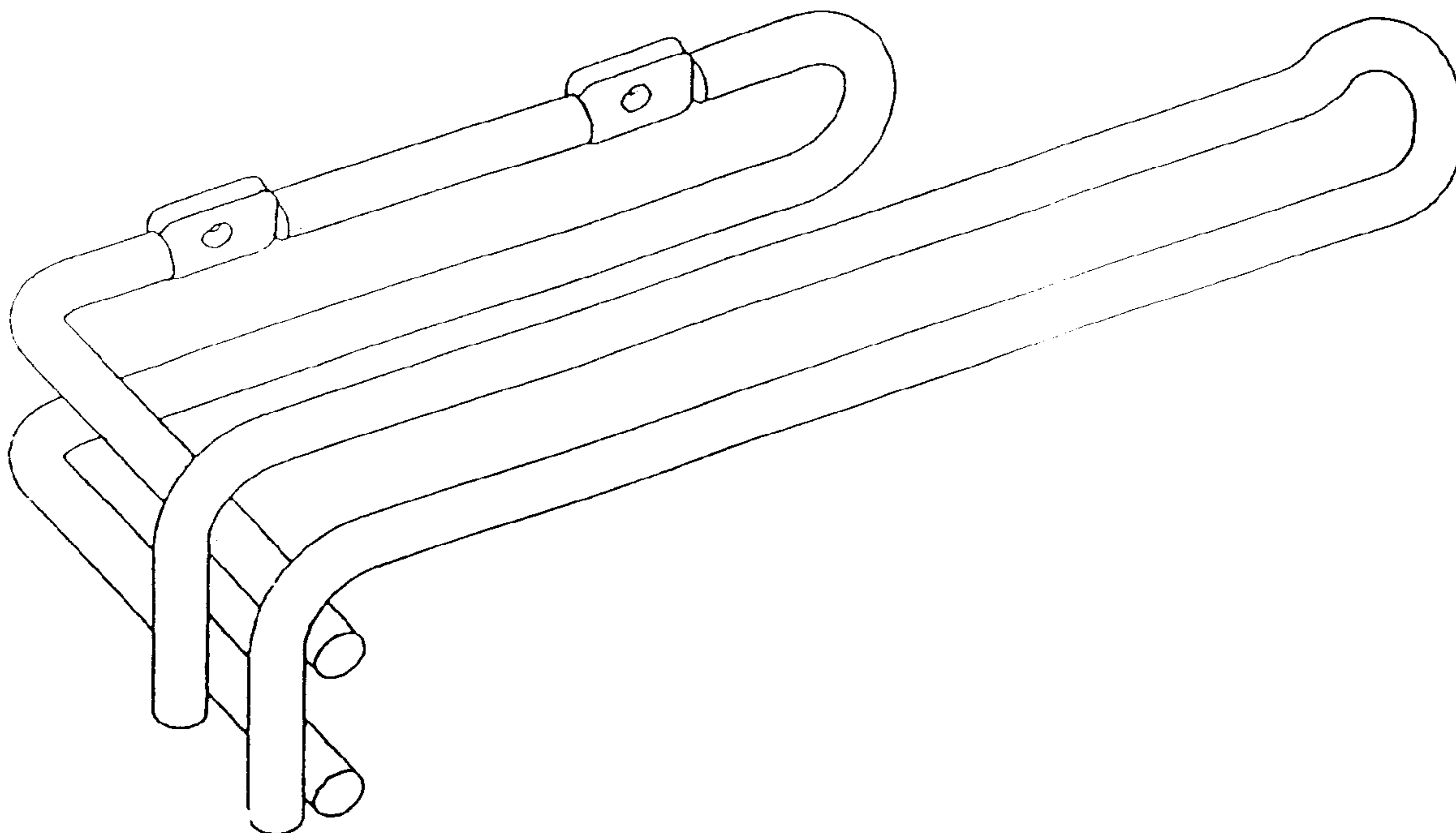
FIG. 1 is a perspective view from the right hand side;
FIG. 2 is a right side view;
FIG. 3 is a top side view;
FIG. 4 is a front view;
FIG. 5 is a left side view;
FIG. 6 is a bottom view; and,
FIG. 7 is a back view.

[56] **References Cited**

U.S. PATENT DOCUMENTS

D. 383,343 9/1997 Goodman D6/522

1 Claim, 2 Drawing Sheets



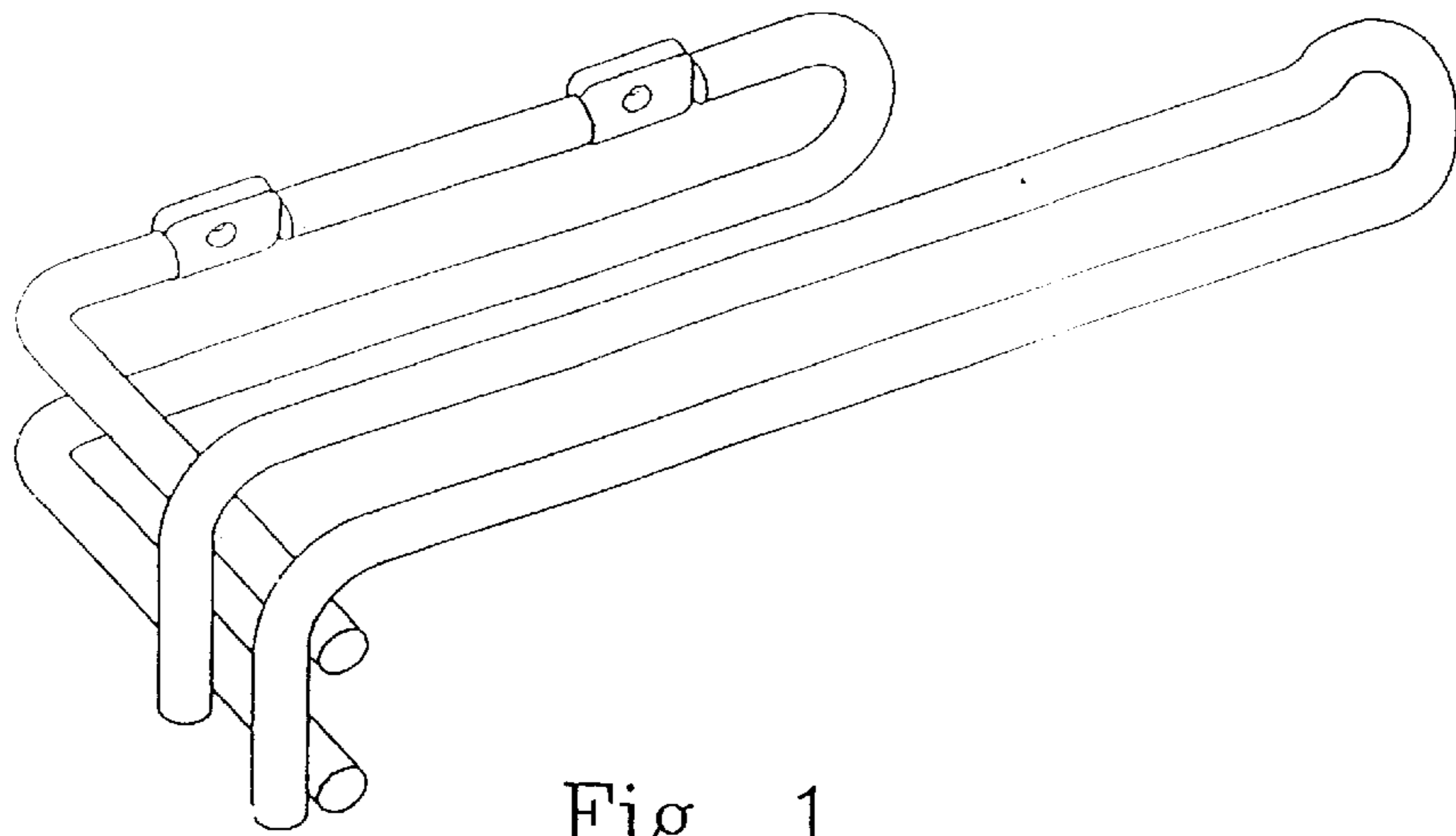


Fig. 1

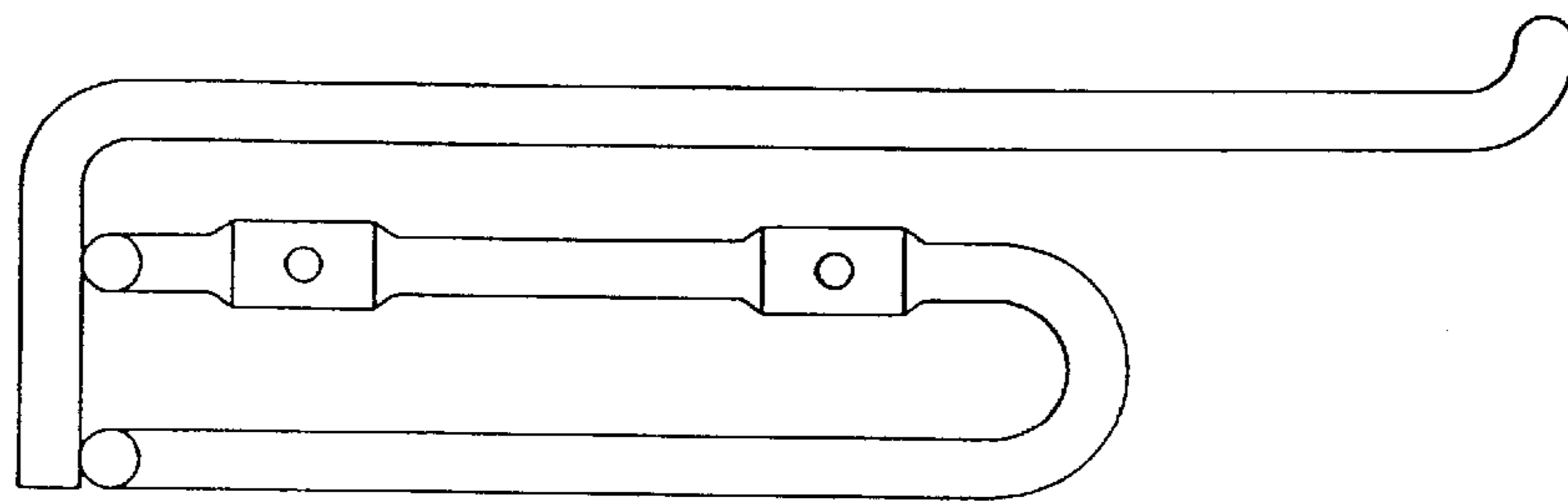


Fig. 2

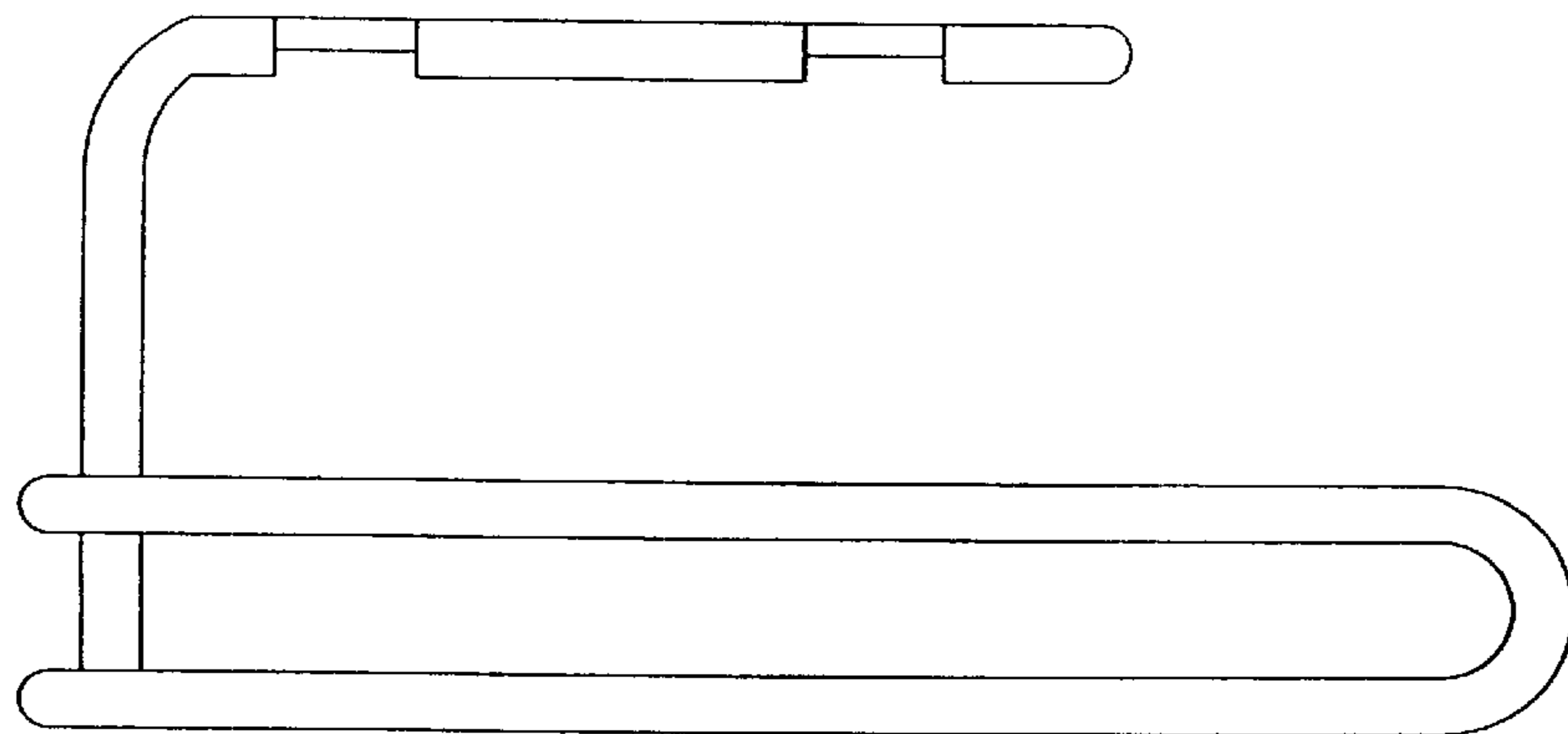


Fig. 3

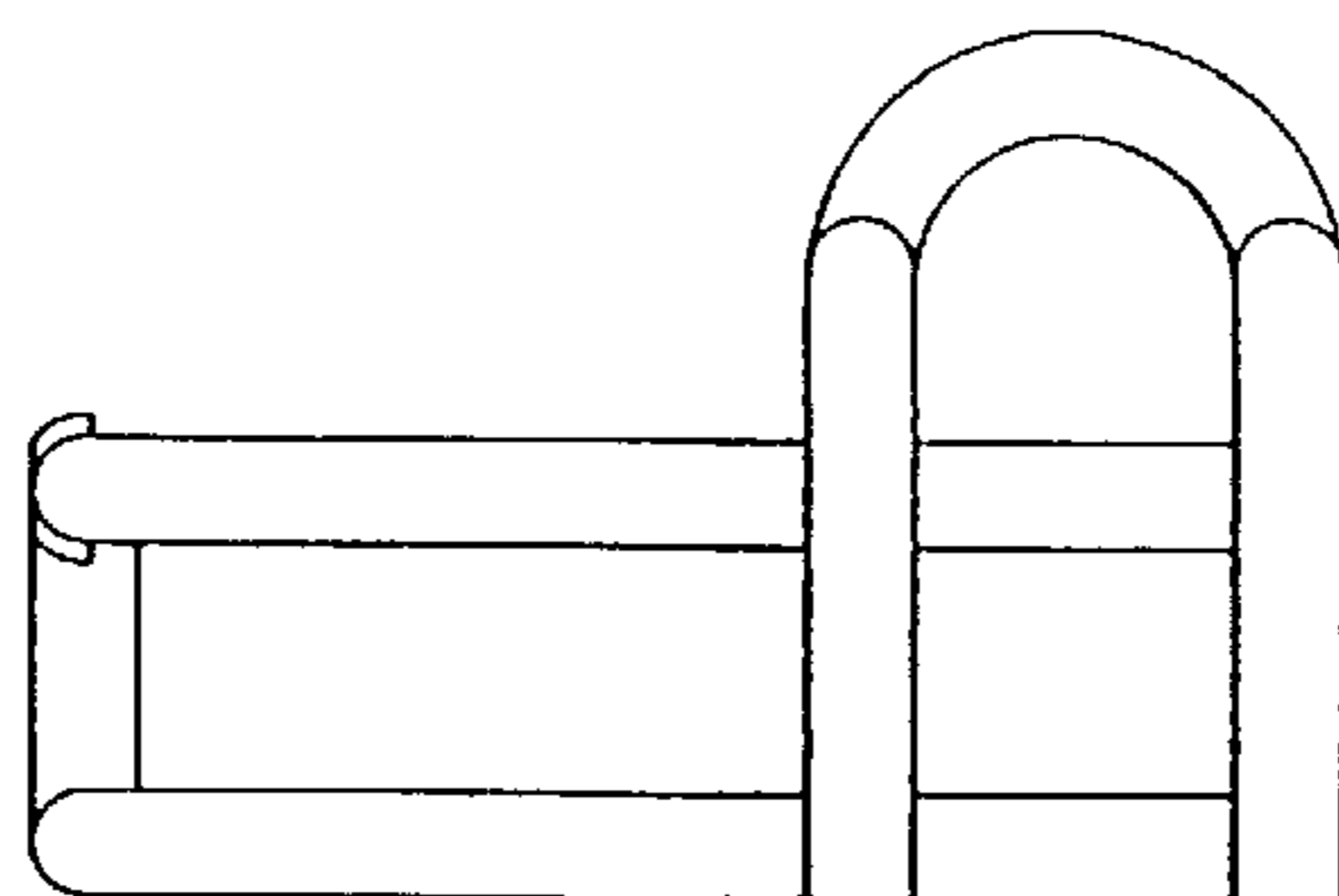


Fig. 4

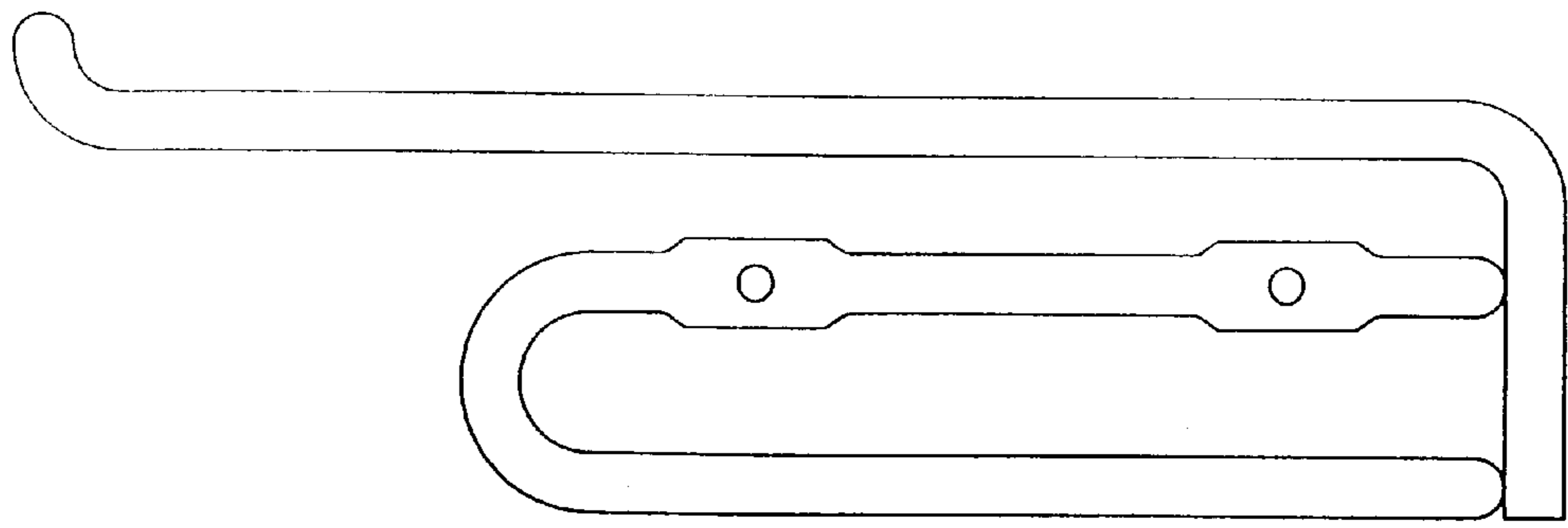


Fig. 5

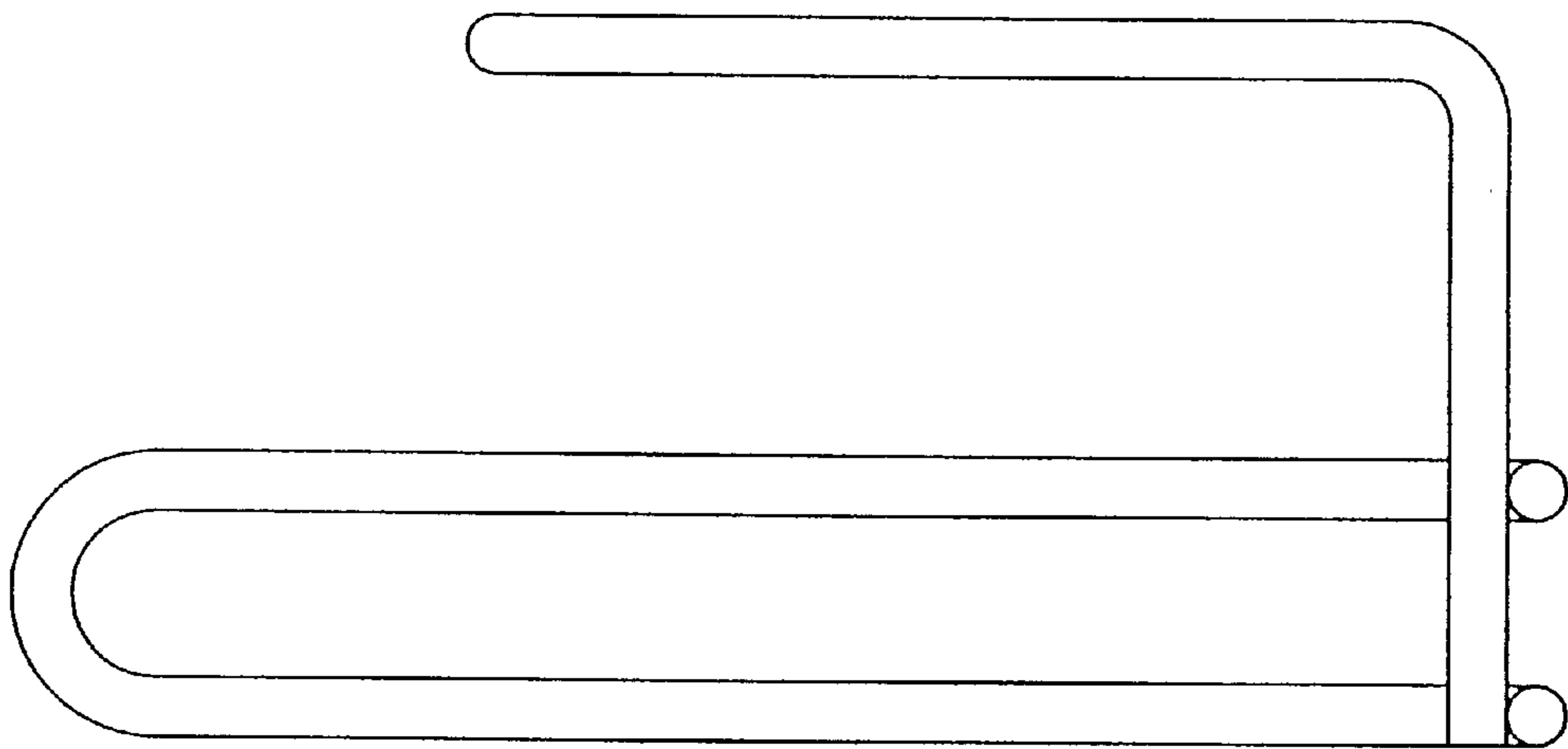


Fig. 6

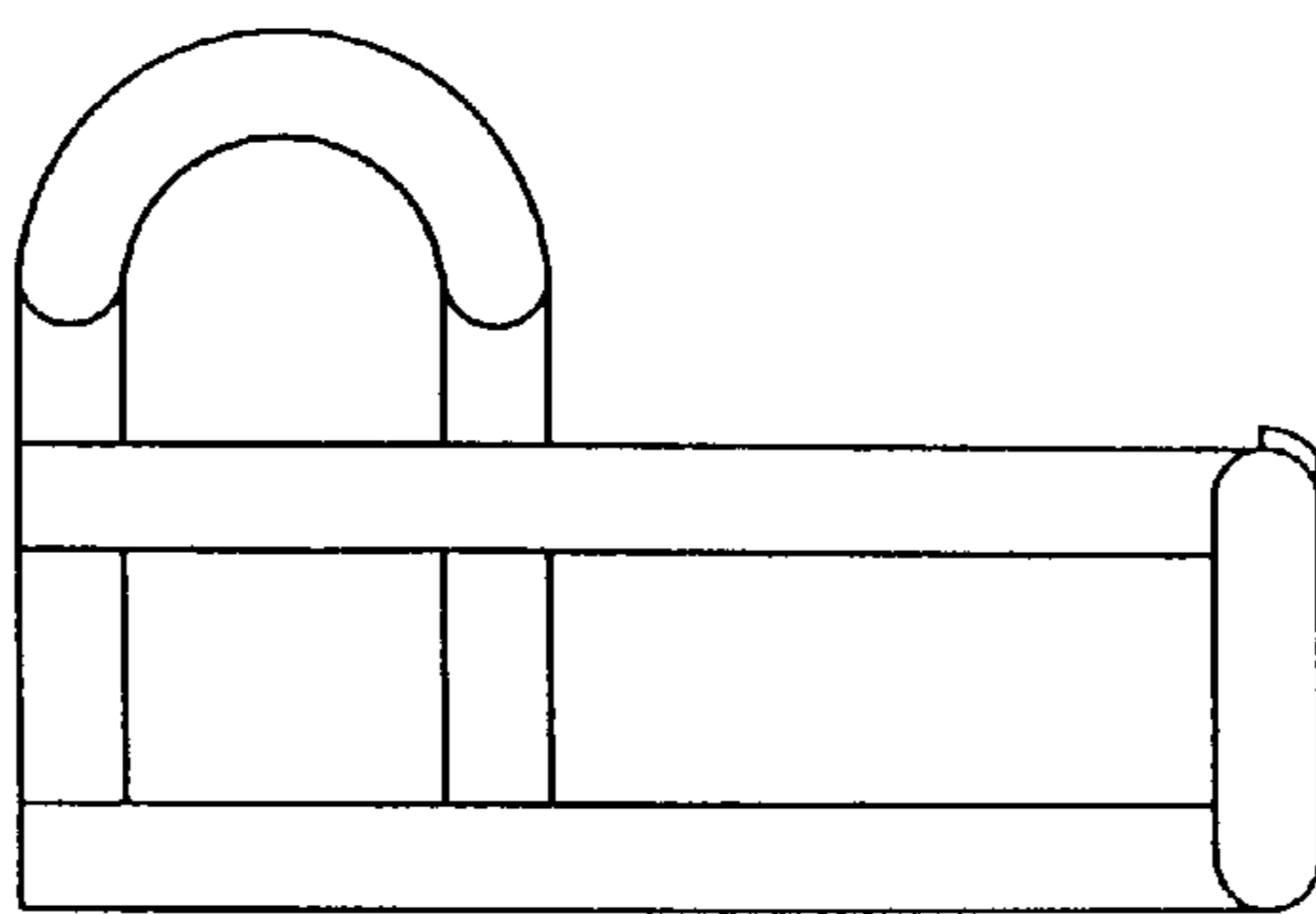


Fig. 7