



US00D409421S

**United States Patent** [19]  
**Wu**

[11] **Patent Number: Des. 409,421**

[45] **Date of Patent: \*\* May 11, 1999**

[54] **BED HEAD BOARD**

[76] Inventor: **Yu-Shang Wu**, P.O. Box 63-247, No. 9,  
Lane 22, Section 2, Shan Hsi Road,  
Taichung, Taiwan

[\*\*] Term: **14 Years**

[21] Appl. No.: **29/093,558**

[22] Filed: **Sep. 14, 1998**

[51] **LOC (6) Cl.** ..... **06-01**

[52] **U.S. Cl.** ..... **D6/505**

[58] **Field of Search** ..... D6/382, 385, 388,  
D6/390-395; 5/53.1, 907, 279.1, 280, 281

[56] **References Cited**

**U.S. PATENT DOCUMENTS**

318,111	5/1885	Healey	.....	5/93.1
323,206	7/1885	Rich	.....	5/280
D. 366,779	2/1996	Muller	.....	D6/395

**OTHER PUBLICATIONS**

Furniture Today, Apr. 18, 1994, Orico bed at lower left.

*Primary Examiner*—Janice E. Seeger  
*Attorney, Agent, or Firm*—Charles E. Baxley, Esq.

[57] **CLAIM**

The ornamental design for a bed head board, as shown and described.

**DESCRIPTION**

FIG. 1 is a front elevational view bed head board, showing my new design;  
FIG. 2 is a left side view thereof; the opposite side being a mirror image of the shown;  
FIG. 3 is a top plan view thereof;  
FIG. 4 is a bottom plan view thereof; and,  
FIG. 5 is a perspective view of a bed head board, showing my new design.

**1 Claim, 3 Drawing Sheets**

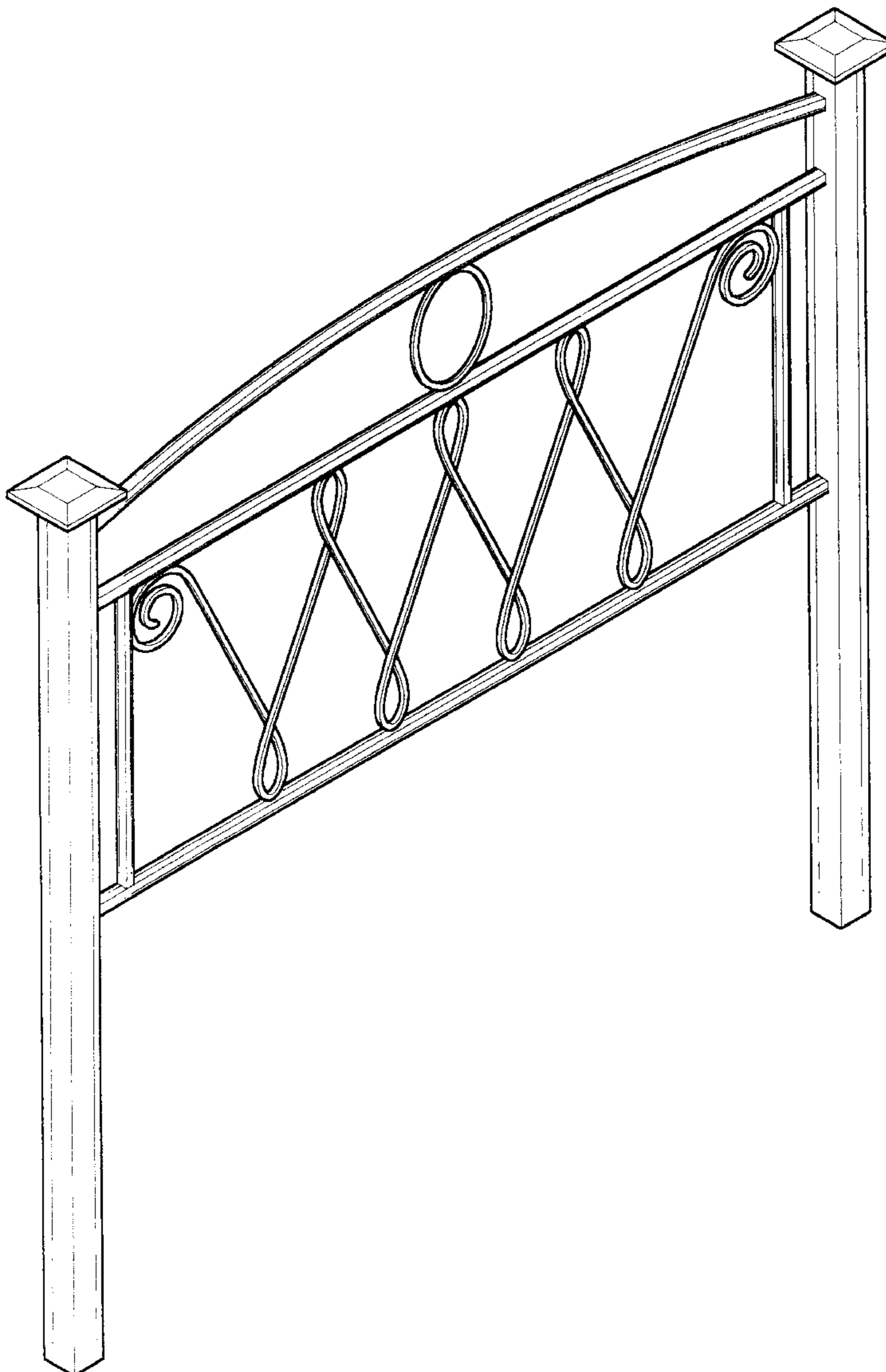




Fig. 3

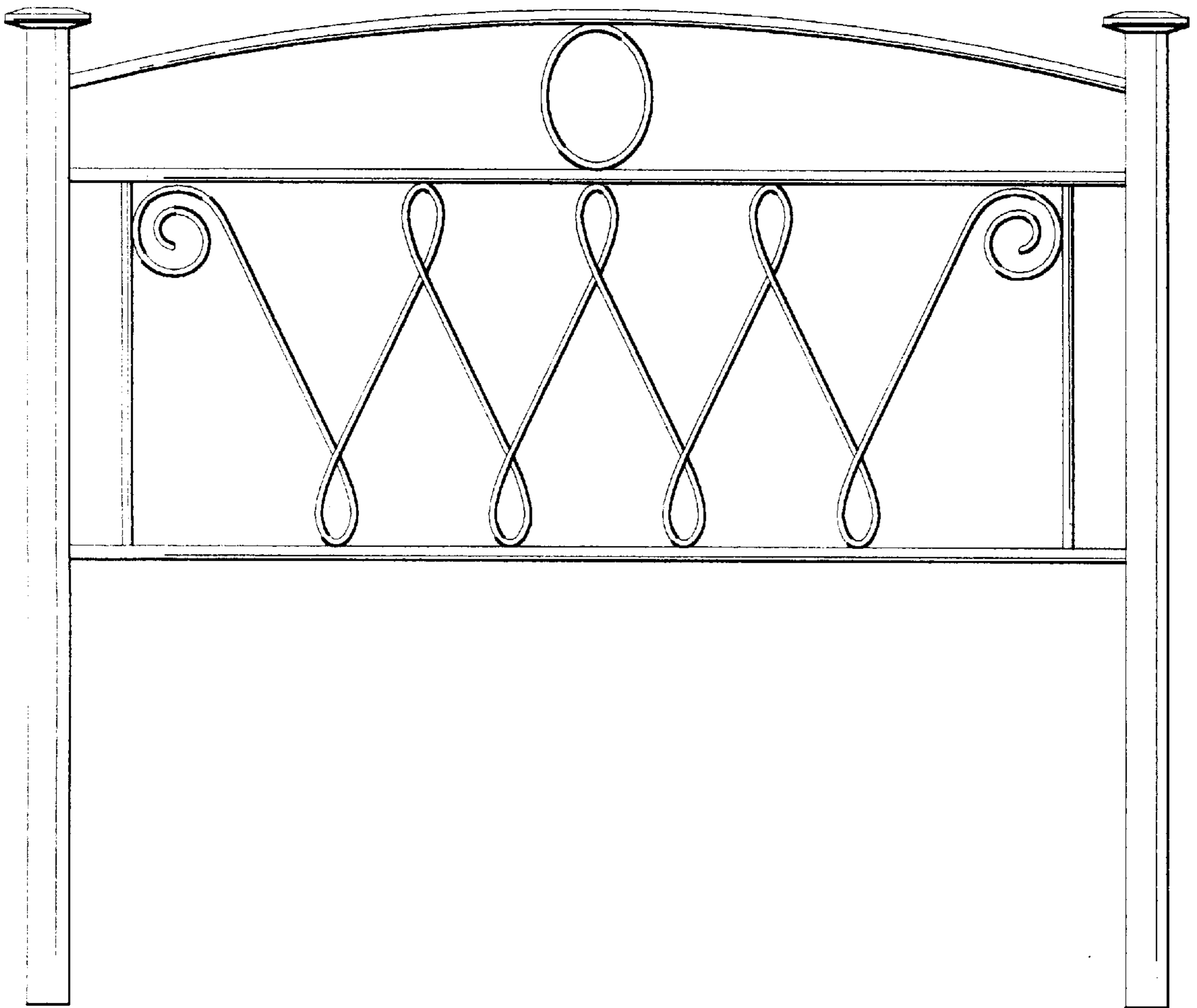


Fig. 1

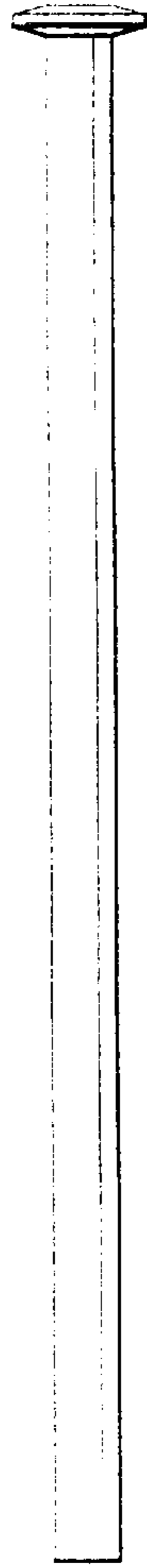


Fig. 2

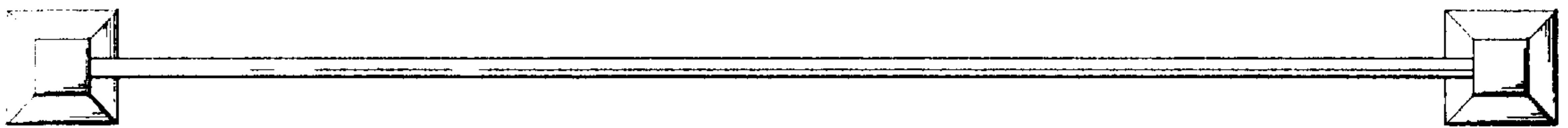


Fig. 4

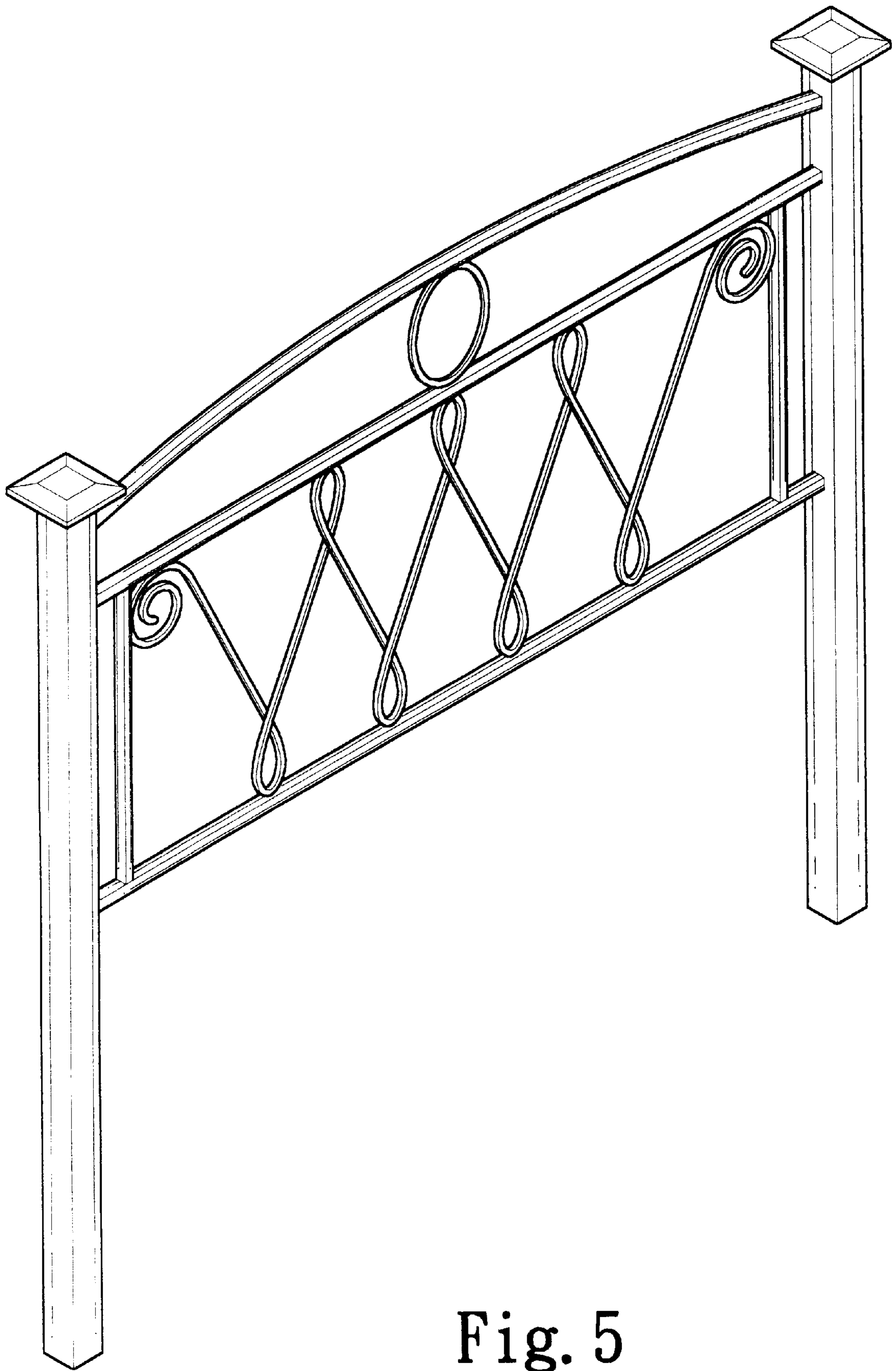


Fig. 5