



US00D409419S

United States Patent [19]
Wilkinson

[11] **Patent Number: Des. 409,419**

[45] **Date of Patent: ** May 11, 1999**

[54] **WORKSTATION**

[75] Inventor: **Clive Wilkinson**, Los Angeles, Calif.

[73] Assignee: **Steelcase Inc.**, Grand Rapids, Mich.

[**] Term: **14 Years**

[21] Appl. No.: **29/077,163**

[22] Filed: **Jul. 30, 1997**

[51] **LOC (6) Cl.** **06-04**

[52] **U.S. Cl.** **D6/486; D6/397; D6/421; D6/422**

[58] **Field of Search** **D6/419-428, 332, D6/397, 486; 312/194-196**

[56] **References Cited**

U.S. PATENT DOCUMENTS

D. 56,168	8/1920	Jones et al. .	
D. 241,992	10/1976	Riswold .	
D. 252,549	8/1979	Lee	D6/397
D. 288,157	2/1987	Sandor .	
D. 289,472	4/1987	Sottsass et al.	D6/397
D. 302,085	7/1989	Tingley	D6/421
D. 331,672	12/1992	Brodbeck .	
D. 341,507	11/1993	Harvey et al.	D6/482
D. 372,811	8/1996	Muller-Deisig et al. .	
D. 380,630	7/1997	Ahrensburg	D6/486
D. 383,923	9/1997	Muller-Deisig et al.	D6/474
D. 386,916	12/1997	Conner	D6/426
D. 394,963	6/1998	Gongora et al.	D6/396

D. 400,376	11/1998	Hallenheim	D6/486
3,217,672	11/1965	Haughey .	
3,869,992	3/1975	Kramer .	
4,365,561	12/1982	Tellier et al. .	
4,936,228	6/1990	Capo-Bianco .	
5,401,095	3/1995	Williams et al. .	
5,416,666	5/1995	Maguire, Jr. .	
5,507,570	4/1996	Williams et al. .	

FOREIGN PATENT DOCUMENTS

0 212 679	3/1987	European Pat. Off. .
2 670 999	7/1992	France .
WO 93/19643	10/1993	WIPO .

Primary Examiner—Carmen H. Vales-Lado
Attorney, Agent, or Firm—Foley & Lardner

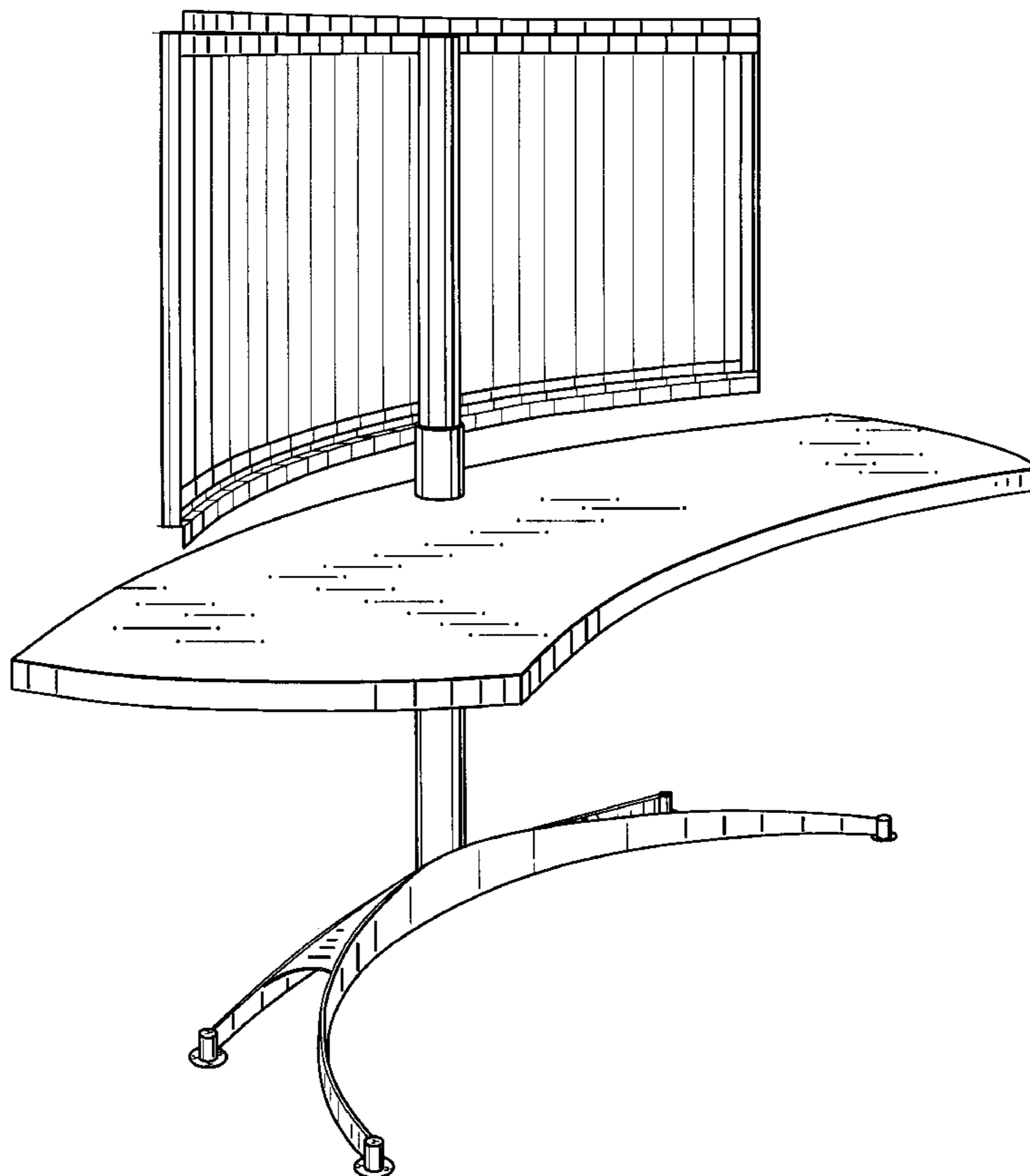
[57] **CLAIM**

The ornamental design for a workstation, as shown and described.

DESCRIPTION

FIG. 1 is a left perspective view of a workstation embodying my new design.
FIG. 2 is a rear left perspective view thereof.
FIG. 3 is a top plan view thereof.
FIG. 4 is a front elevational view thereof.
FIG. 5 is a bottom plan view thereof.
FIG. 6 is a rear elevational view thereof.
FIG. 7 is a left side elevational view thereof; and,
FIG. 8 is a right side elevational view thereof.

1 Claim, 8 Drawing Sheets



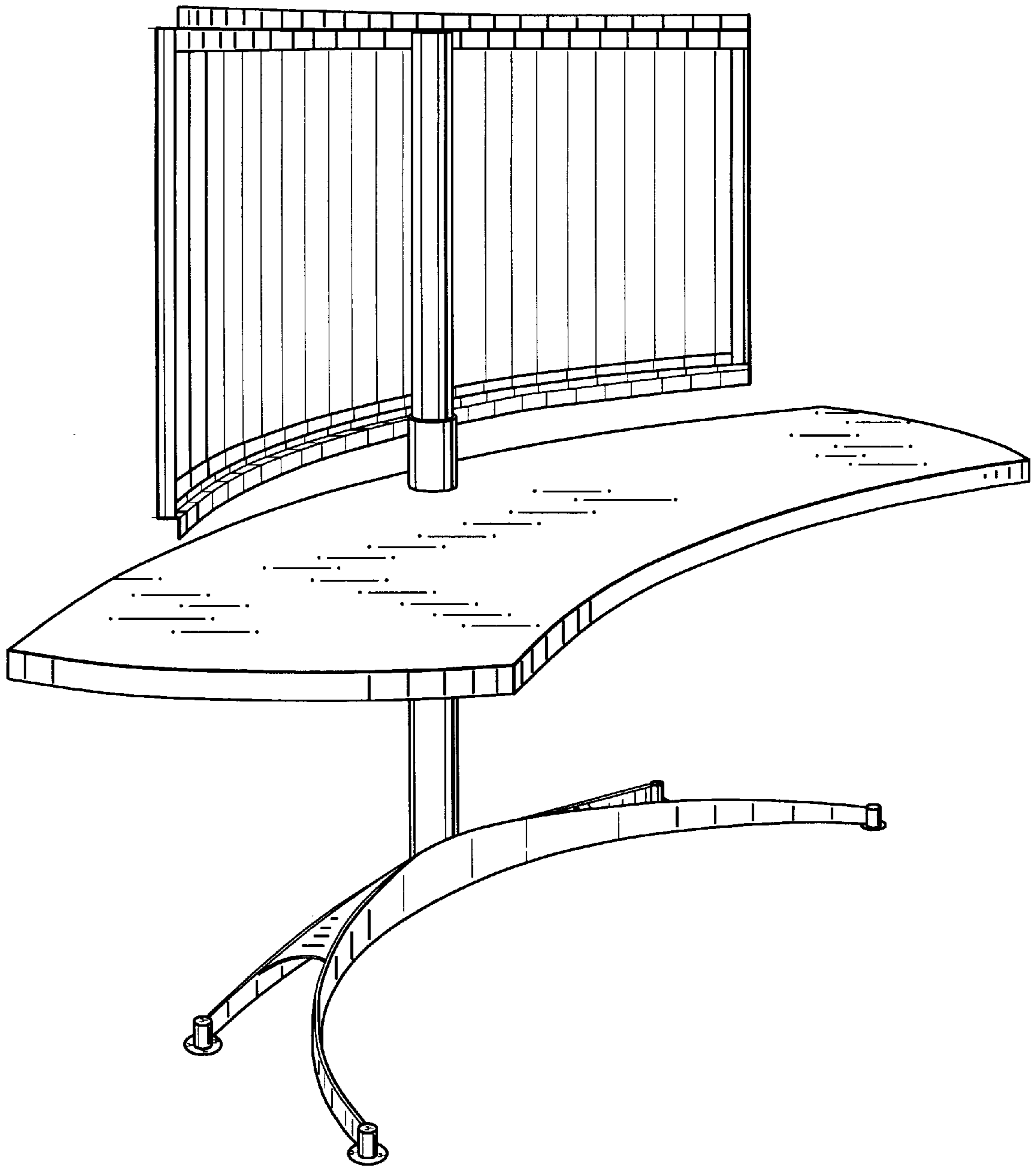


FIG. 1

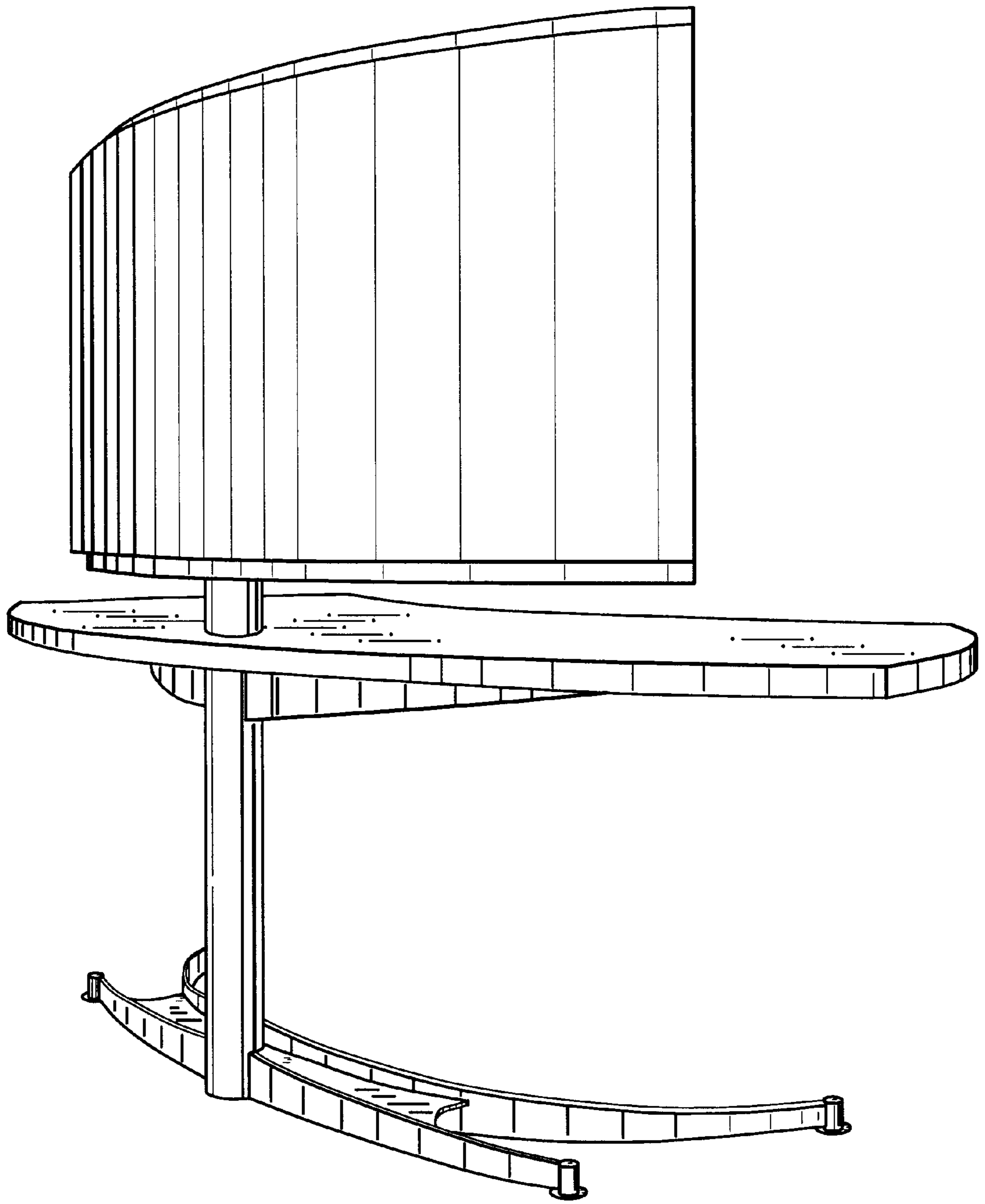


FIG. 2

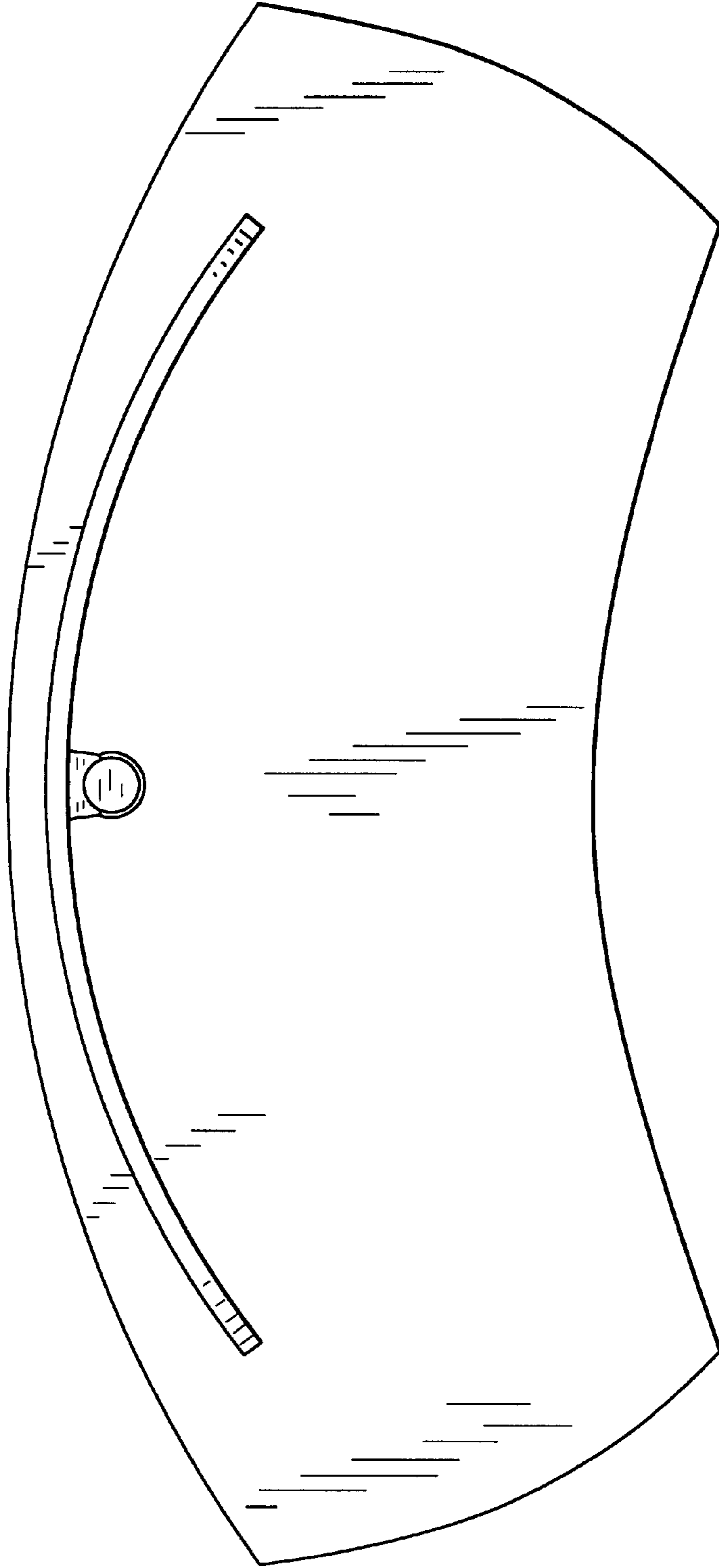


FIG. 3

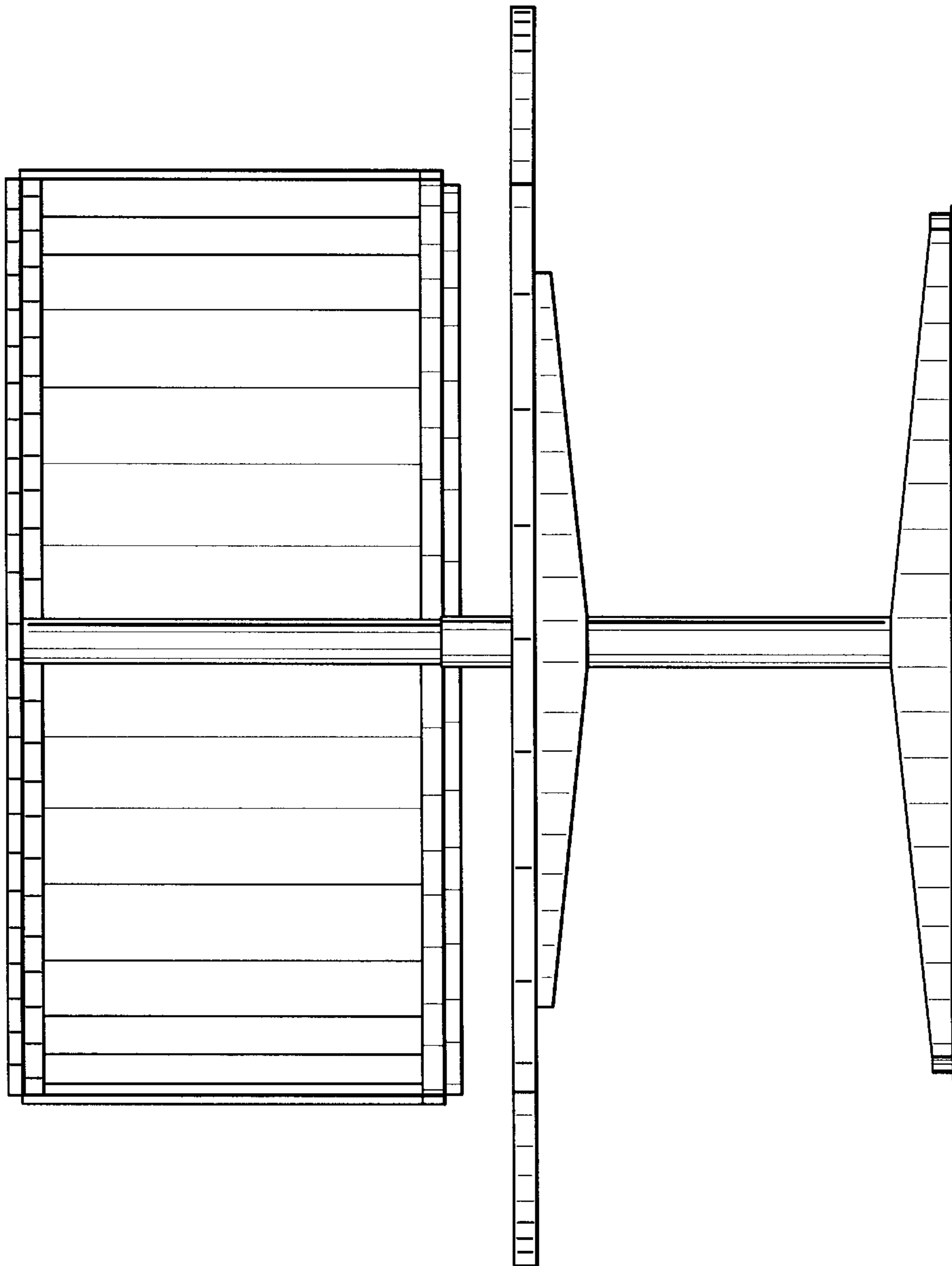


FIG. 4

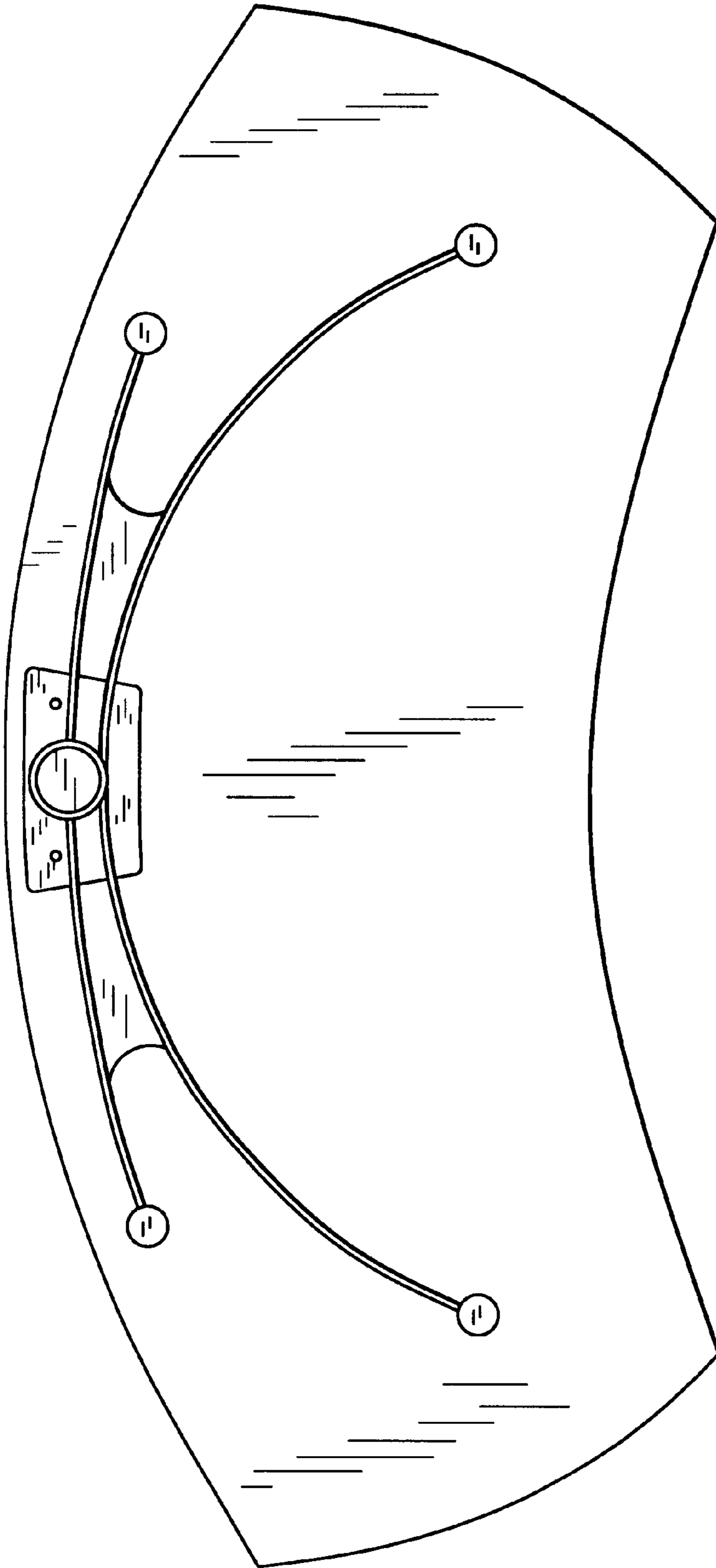


FIG. 5

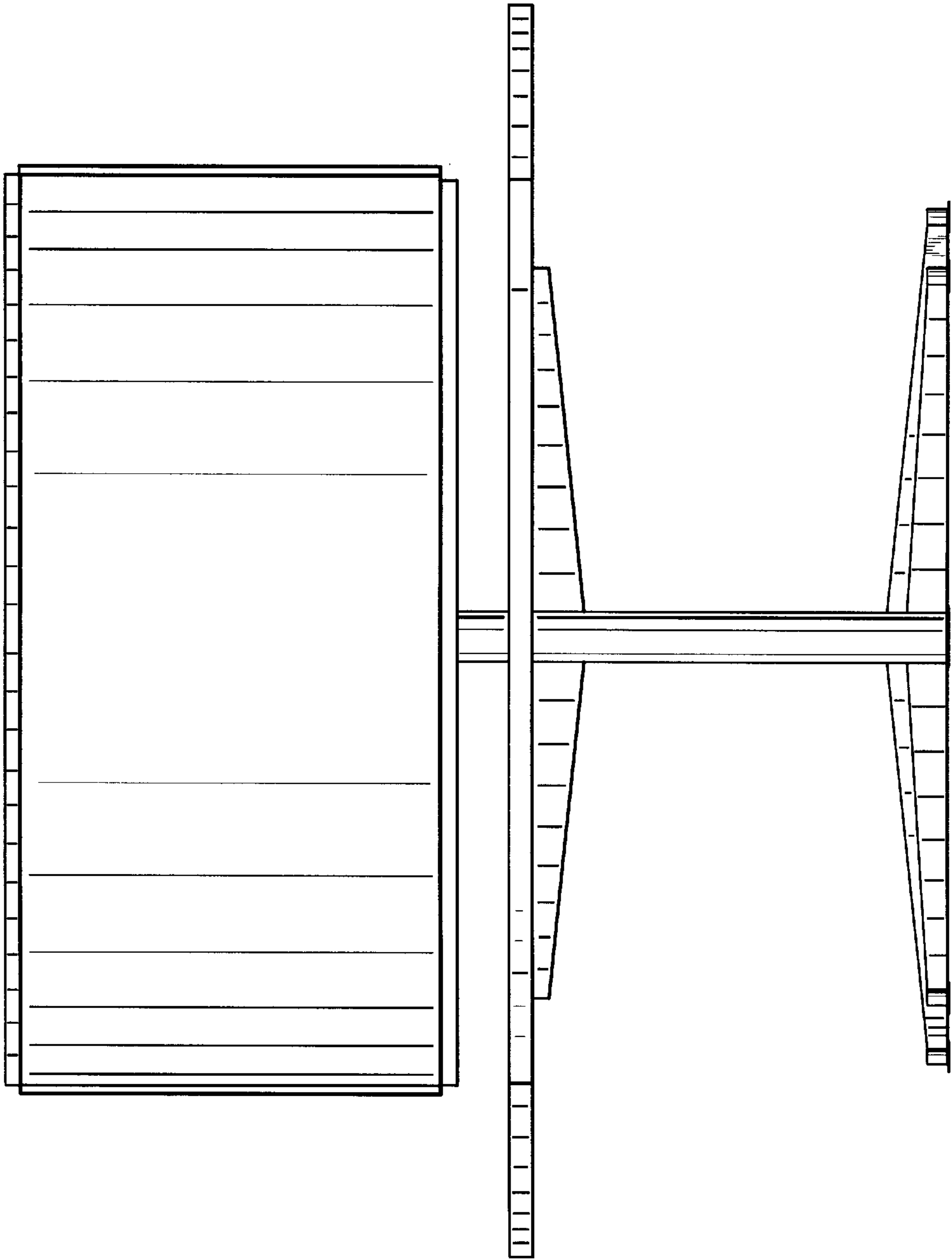


FIG. 6

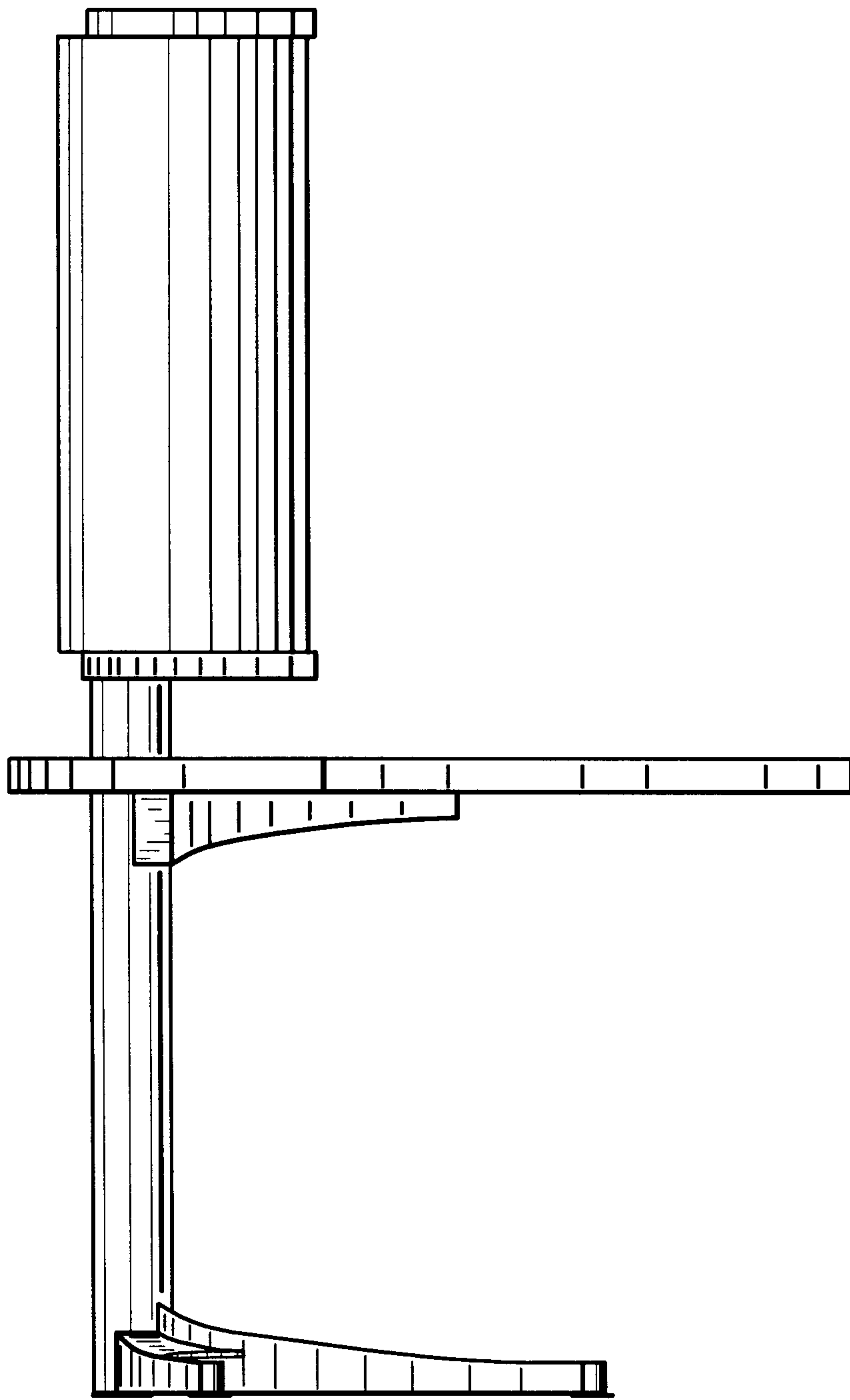


FIG. 7

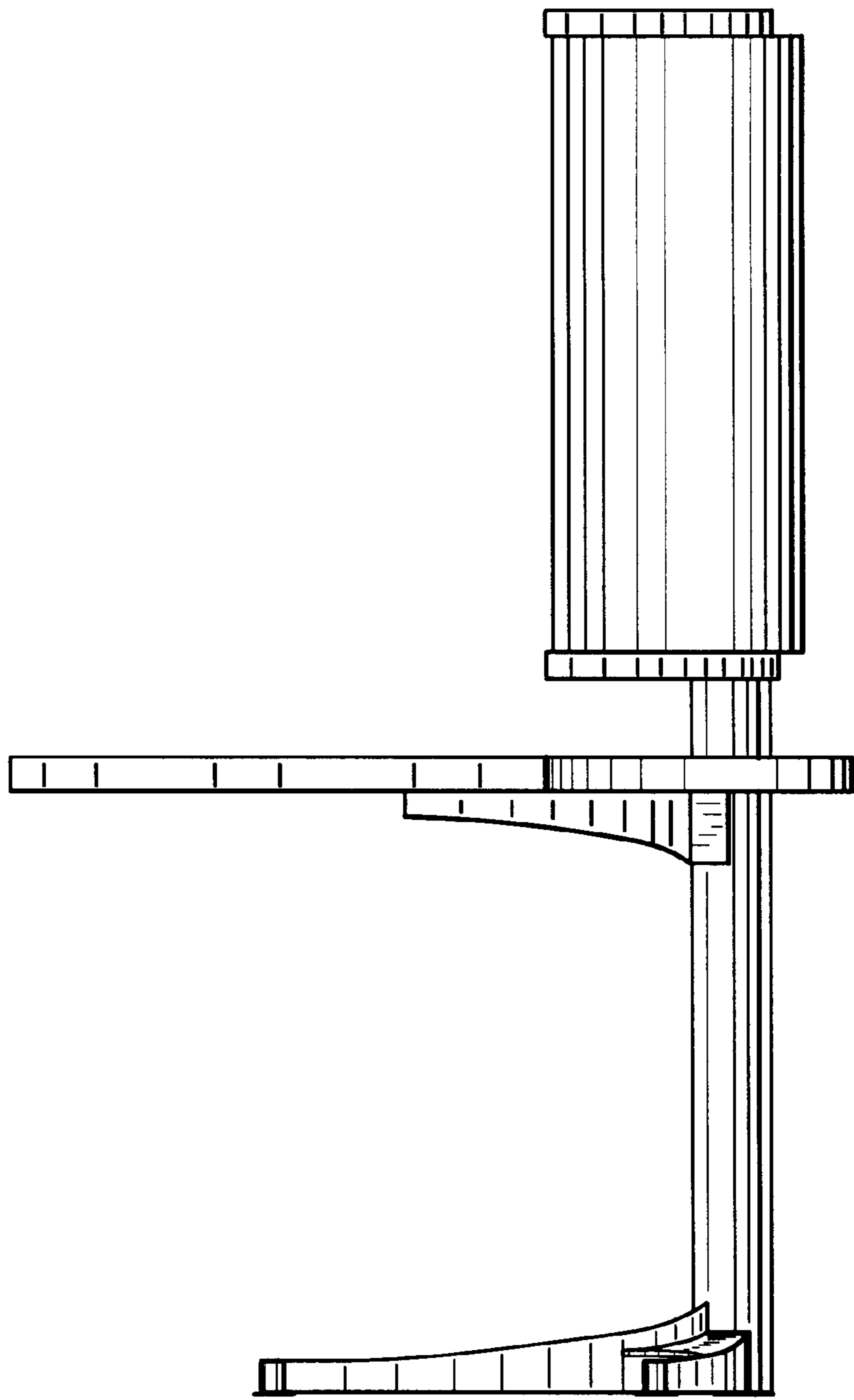


FIG. 8