



US00D409411S

# United States Patent [19]

Mariol et al.

[11] Patent Number: Des. 409,411

[45] Date of Patent: \*\* \*May 11, 1999

- [54] **PLAY YARD**
- [75] Inventors: **John V. Mariol**, Cincinnati, Ohio;  
**Thomas J. Welsh, Jr.**, Naperville, Ill.
- [73] Assignee: **Kolcraft Enterprises, Inc.**, Chicago, Ill.
- [\*] Notice: This patent is subject to a terminal disclaimer.
- [\*\*] Term: **14 Years**
- [21] Appl. No.: **29/068,090**
- [22] Filed: **Feb. 6, 1997**

2,574,079	11/1951	White	5/99
2,650,375	9/1953	Serrell	5/99
2,913,739	11/1959	White	5/99
3,777,321	12/1973	Hargett	5/99 C
4,186,454	2/1980	Cone	5/99 R
4,433,447	2/1984	Mathou	5/93 R
4,739,527	4/1988	Kohus et al.	5/99 R
4,985,948	1/1991	Mariol	5/99.1
5,553,336	9/1996	Mariol	5/93.1
5,560,055	10/1996	Ziegler	5/99.1
5,581,827	12/1996	Fong et al.	5/99.1

*Primary Examiner*—Janice E. Seeger  
*Attorney, Agent, or Firm*—Marshall, O’Toole, Gerstein, Murray & Borun

### Related U.S. Application Data

- [63] Continuation-in-part of application No. 08/711,541, Sep. 10, 1996.
- [51] **LOC (6) Cl.** ..... **06-01**
- [52] **U.S. Cl.** ..... **D6/391; D6/331**
- [58] **Field of Search** ..... D6/382–384, 390–395, D6/331; 5/93.1, 98.1, 99.1, 907

### References Cited

#### U.S. PATENT DOCUMENTS

D. 366,978	2/1996	Mariol	D6/491
1,374,333	4/1921	Stotler et al.	.
1,413,068	4/1922	Stotler et al.	.
2,490,296	12/1949	Fournier	5/99

### [57] CLAIM

The ornamental design for a play yard, as shown and described.

### DESCRIPTION

FIG. 1 is a perspective view of a play yard showing our new design;  
 FIG. 2 is a top plan view thereof;  
 FIG. 3 is a front elevational view thereof;  
 FIG. 4 is a right side elevational view thereof, the left side view and the rear view being mirror images of the right side view; and,  
 FIG. 5 is a bottom plan view thereof.  
 The structures shown in broken lines are for environmental purposes only and form no part of the claimed invention.

1 Claim, 3 Drawing Sheets

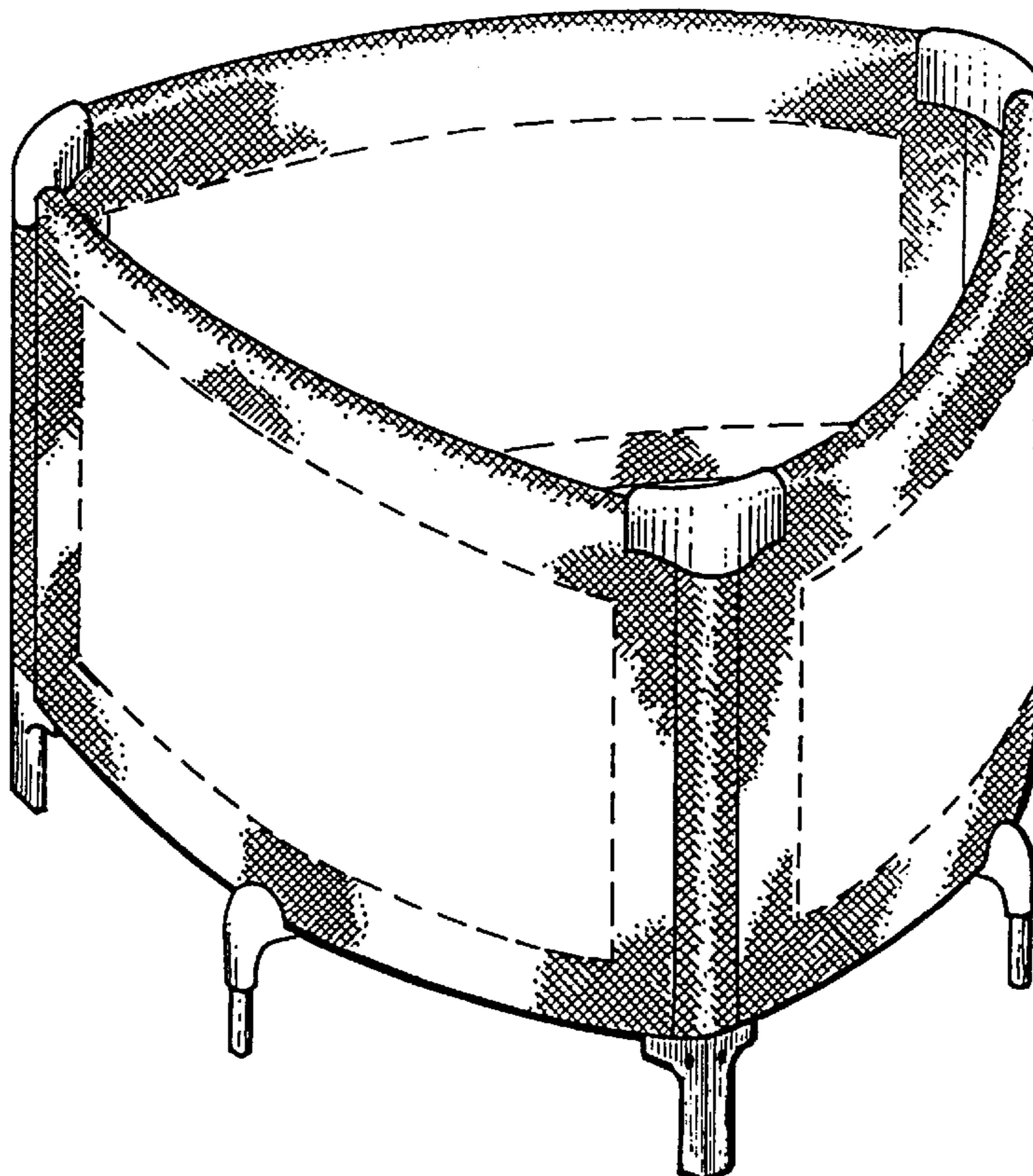


FIG.1

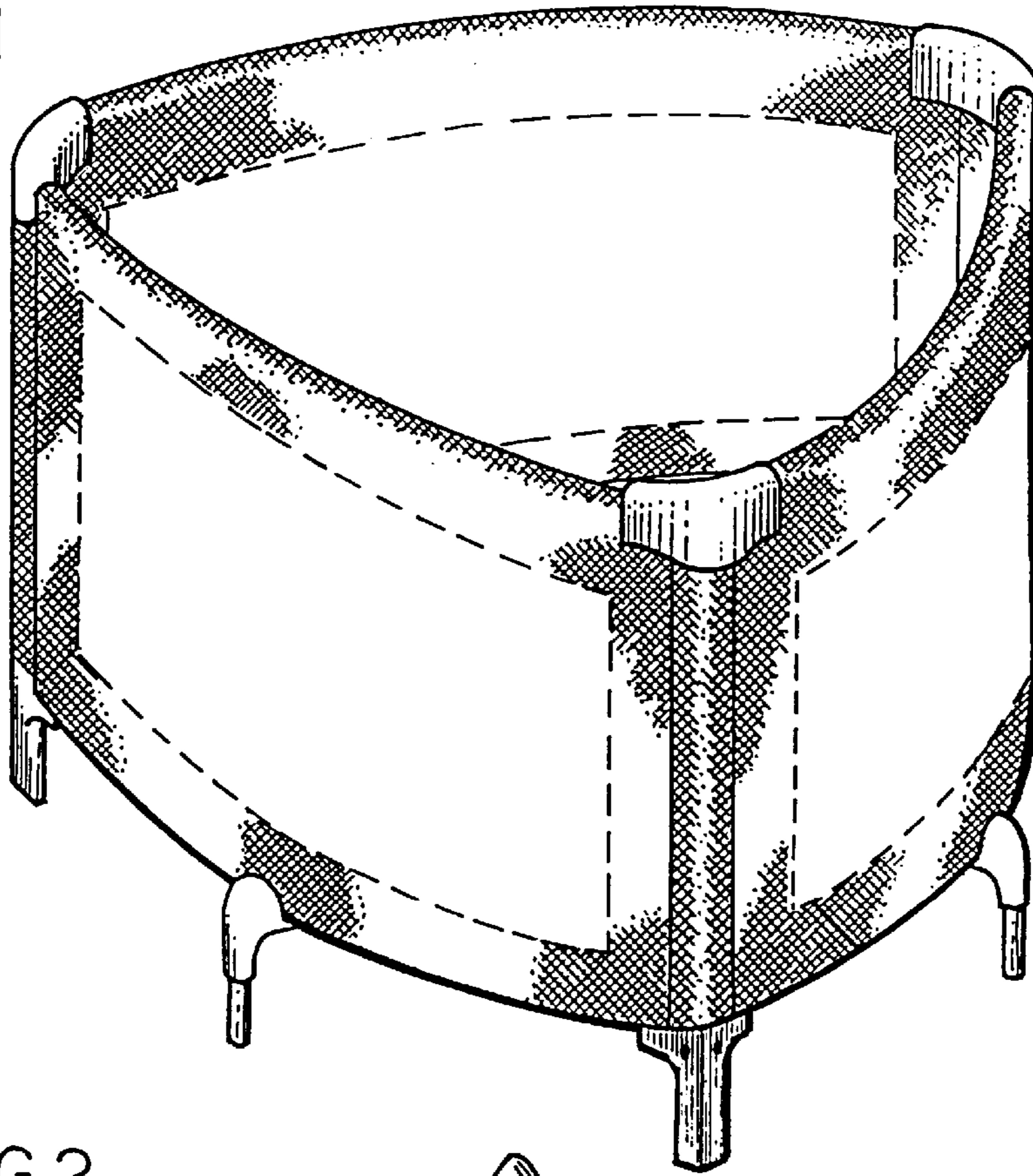


FIG.2

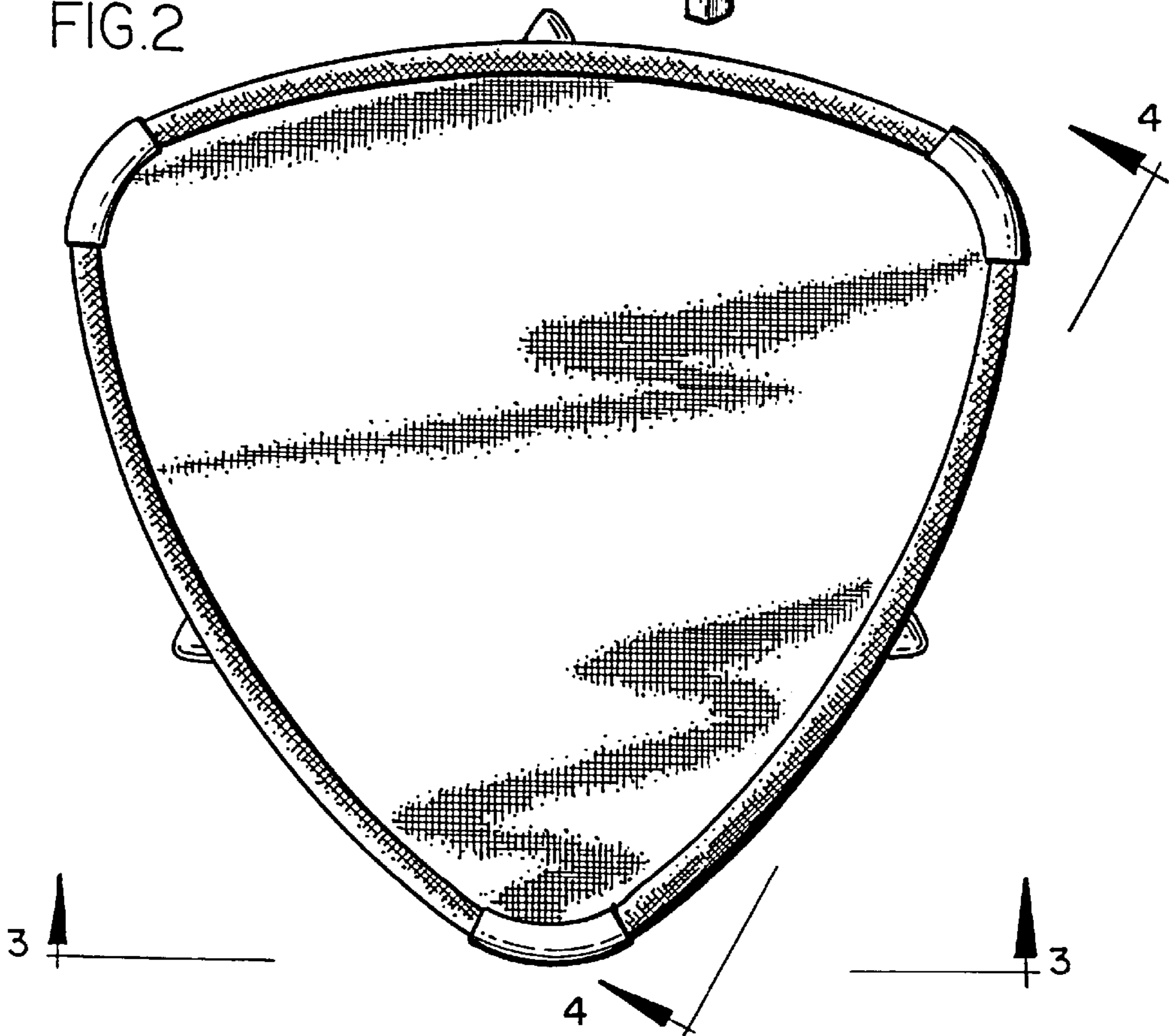


FIG.3

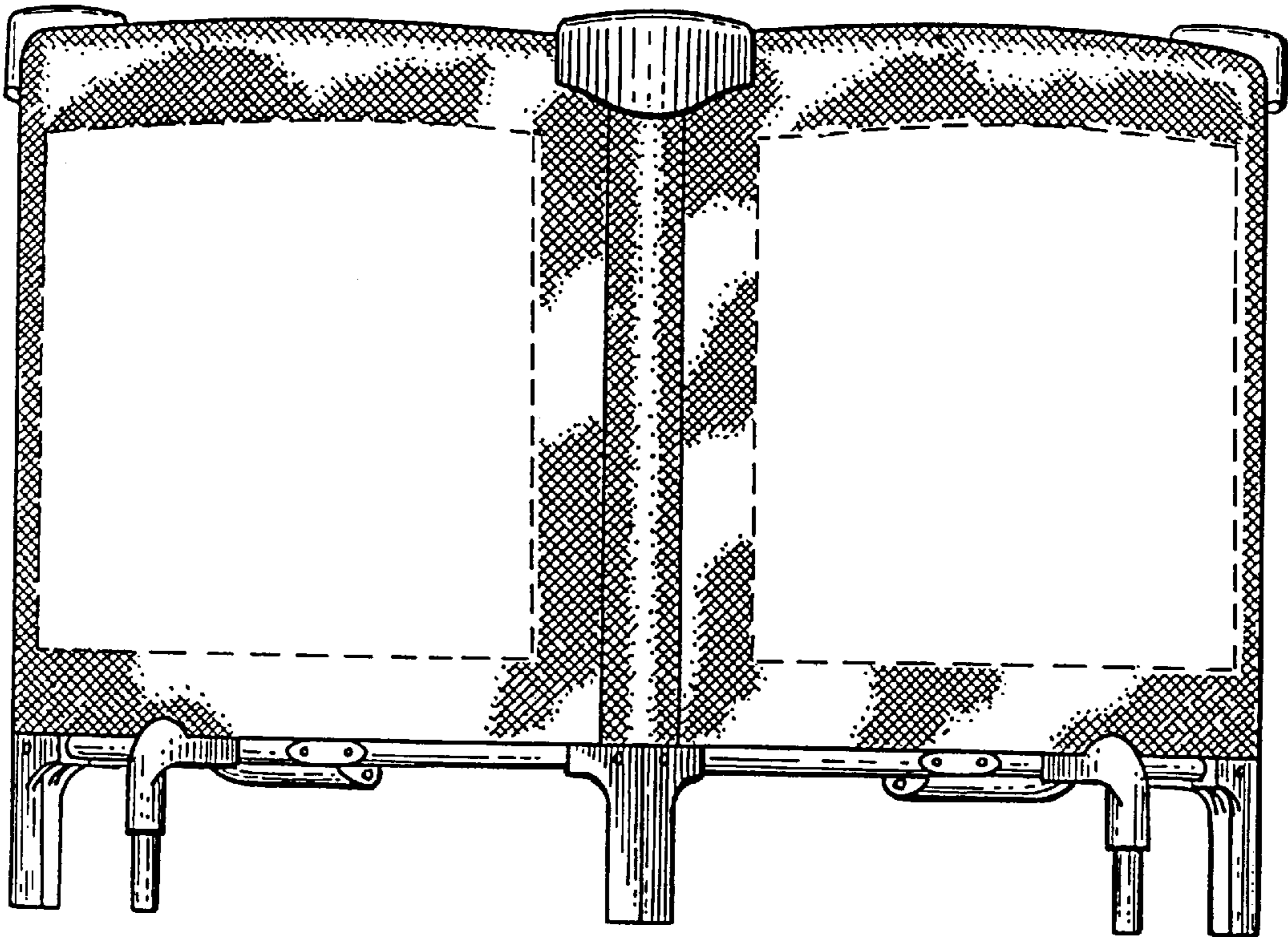


FIG.4

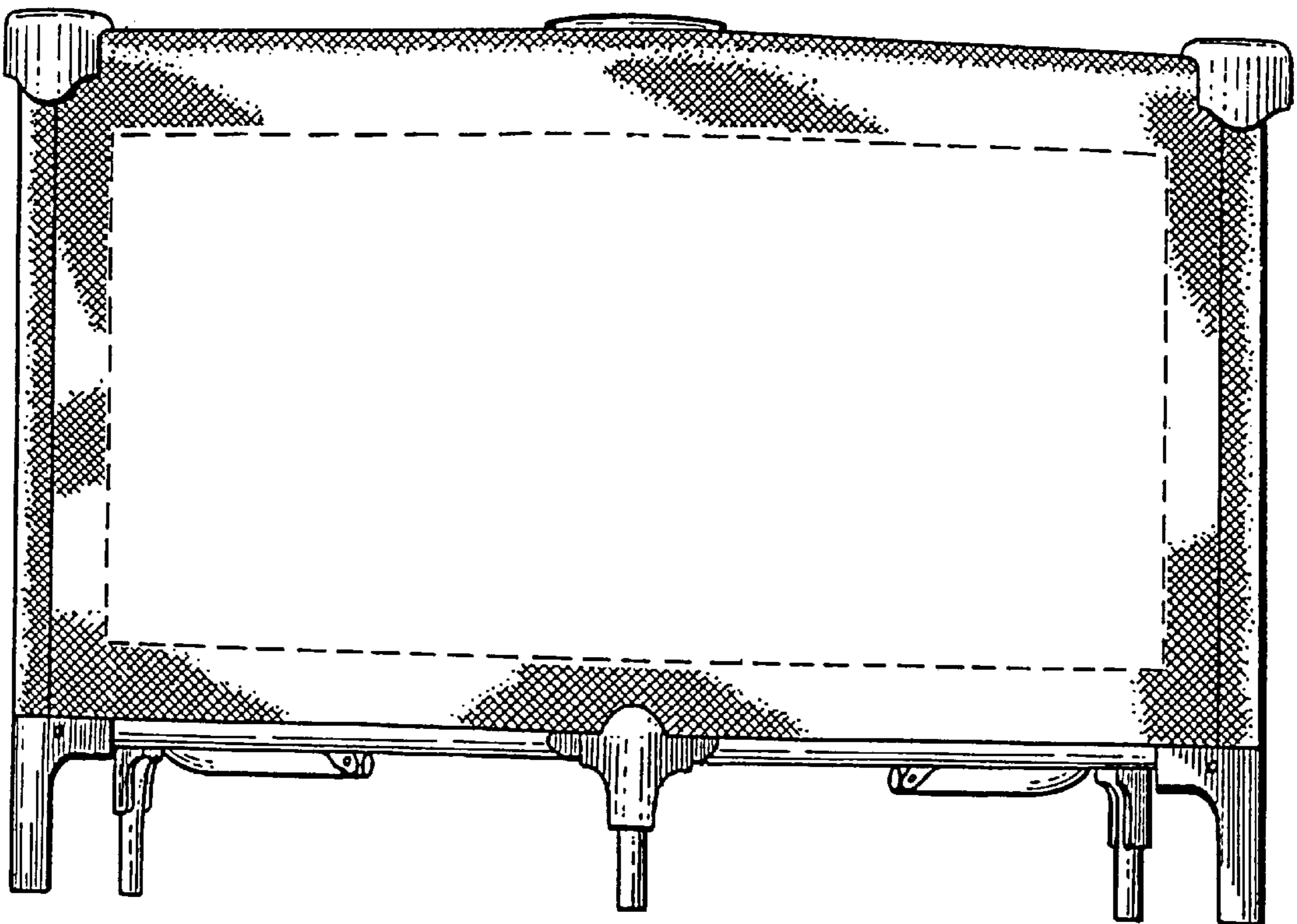


FIG. 5

