



US00D409407S

# United States Patent [19]

Wang

[11] **Patent Number: Des. 409,407**

[45] **Date of Patent: \*\* May 11, 1999**

[54] **CHAIR**

[76] Inventor: **Chin-Chen Wang**, No. 10, Lane 365,  
Chung Shan S. Rd., Yung Kang City,  
Taiwan Hsian, Taiwan

[\*\*] Term: **14 Years**

[21] Appl. No.: **29/087,044**

[22] Filed: **Apr. 24, 1998**

[51] **LOC (6) Cl.** ..... **06-01**

[52] **U.S. Cl.** ..... **D6/375; D6/374**

[58] **Field of Search** ..... D6/334, 374, 375,  
D6/379, 380, 500, 501, 502; 297/239, 445.1

[56] **References Cited**

**U.S. PATENT DOCUMENTS**

D. 202,264	9/1965	Albinson	.....	D6/374
D. 236,670	9/1975	Uyeda	.....	D6/375
D. 295,588	5/1988	Heitlinger et al.	.....	D6/380
D. 308,604	6/1990	Verkerke	.....	D6/334

D. 346,911	5/1994	Lucci et al.	.....	D6/374
D. 370,360	6/1996	Fewchuk	.....	D6/374
D. 374,130	10/1996	Braun	.....	D6/375
4,002,369	1/1977	Jennings	.....	D6/374

*Primary Examiner*—Gary D. Watson  
*Attorney, Agent, or Firm*—Charles E. Baxley, Esq.

[57] **CLAIM**

The ornamental design for a chair, as shown.

**DESCRIPTION**

FIG. 1 is a perspective view of a chair showing my new design;

FIG. 2 is a front elevation view thereof;

FIG. 3 is a rear elevation view thereof;

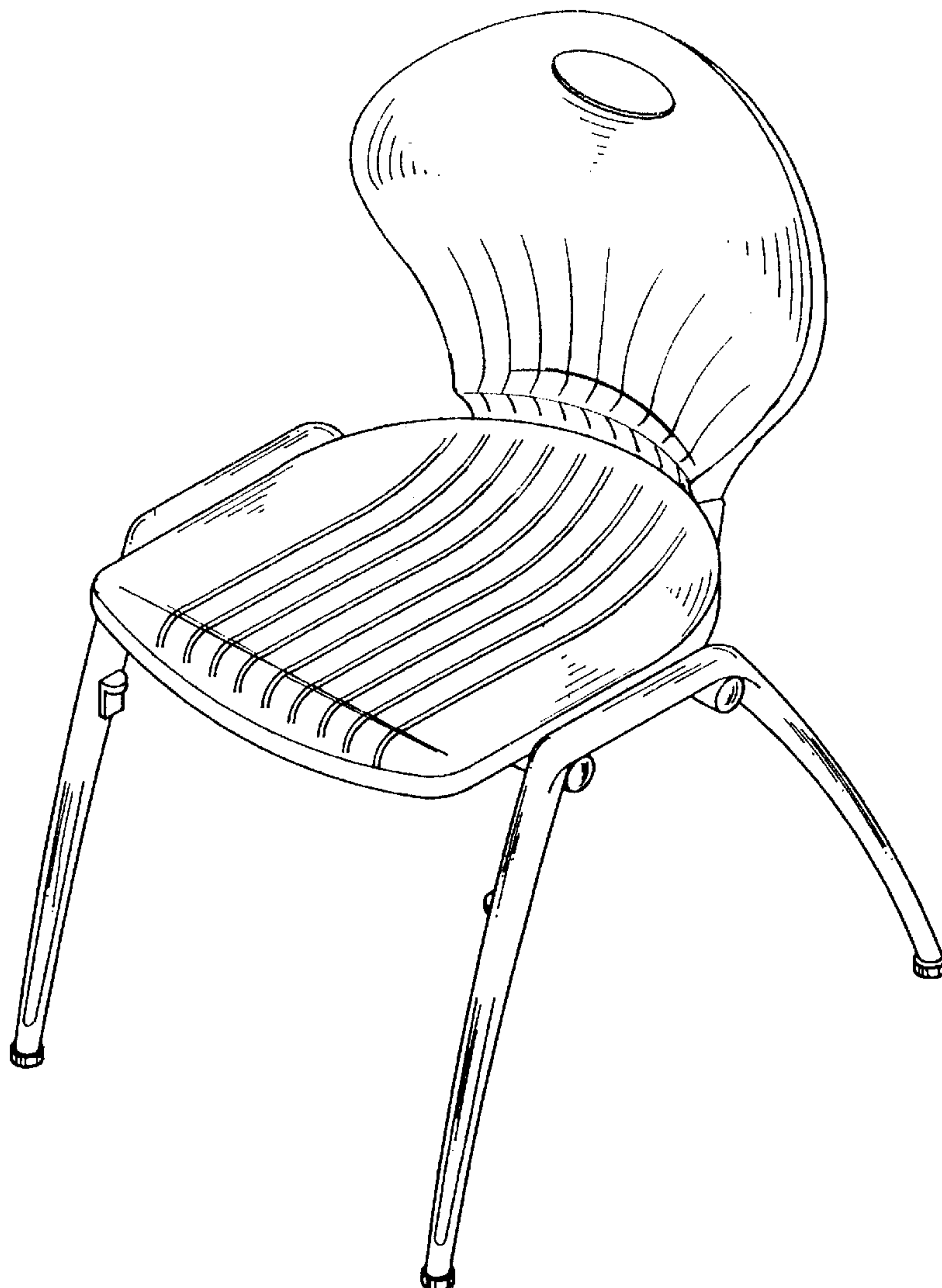
FIG. 4 is a left side elevation view thereof;

FIG. 5 is a right side elevation view thereof;

FIG. 6 is a top plan view thereof; and,

FIG. 7 is a bottom plan view thereof.

**1 Claim, 4 Drawing Sheets**



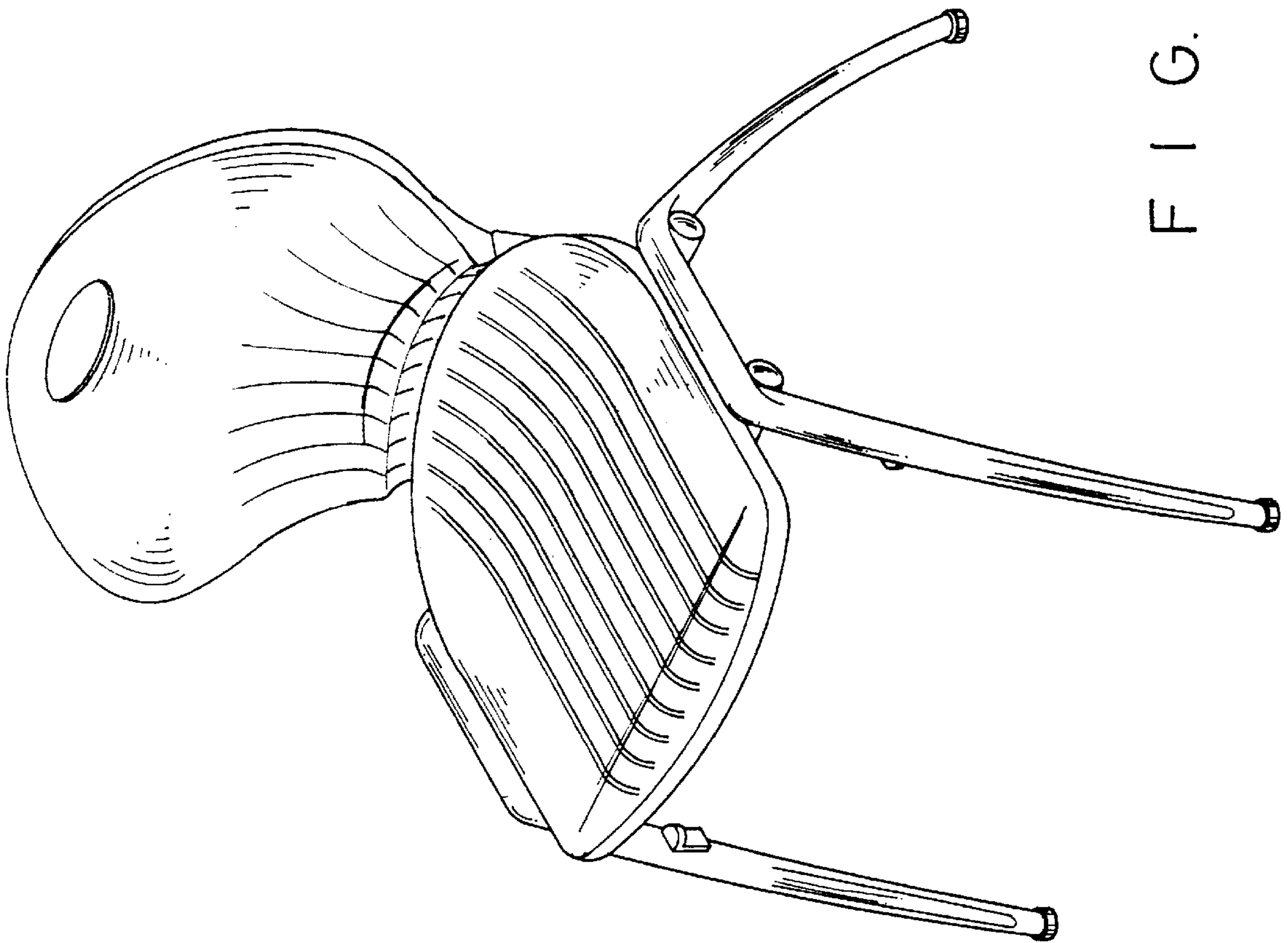


FIG. 1

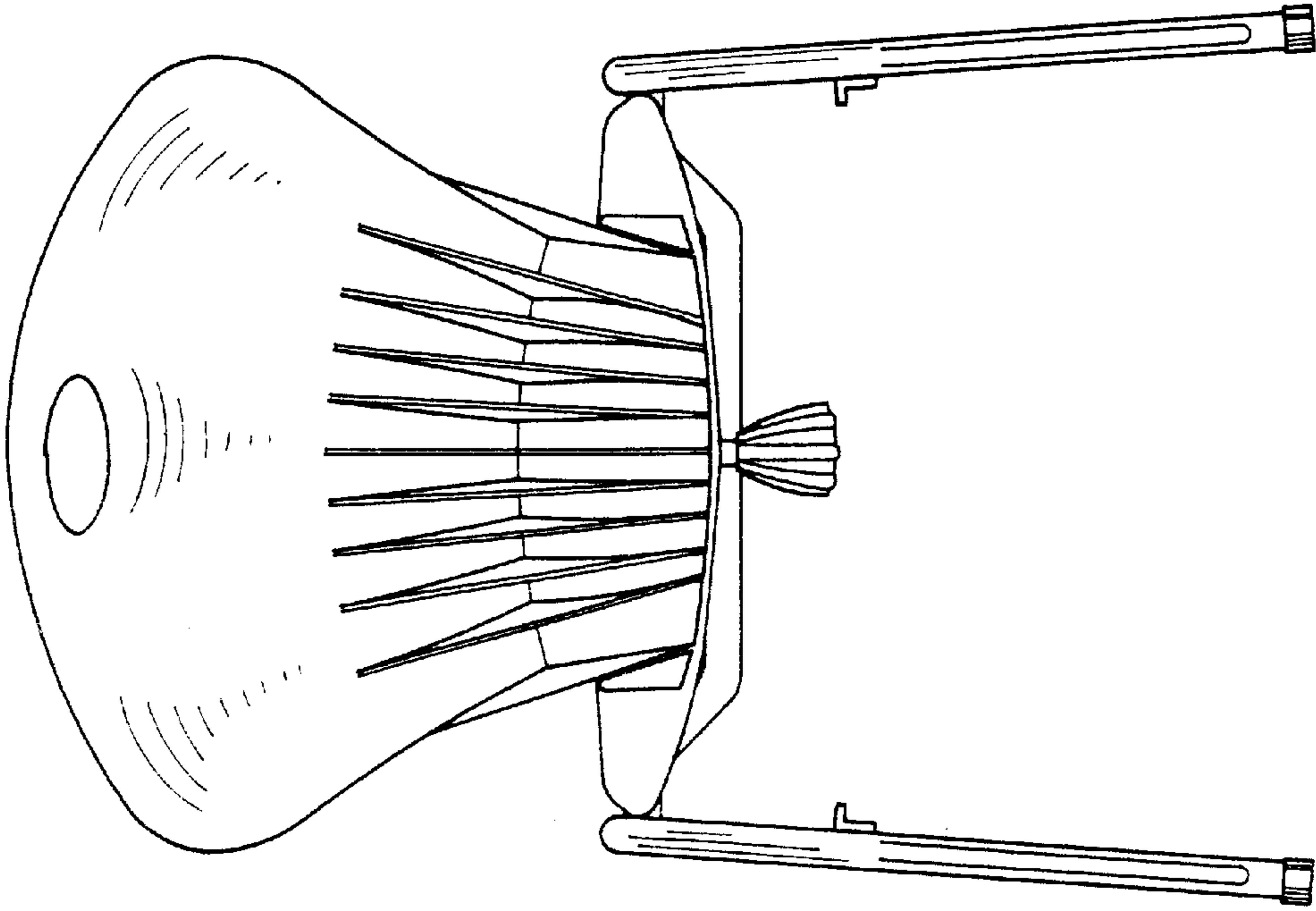


FIG. 3

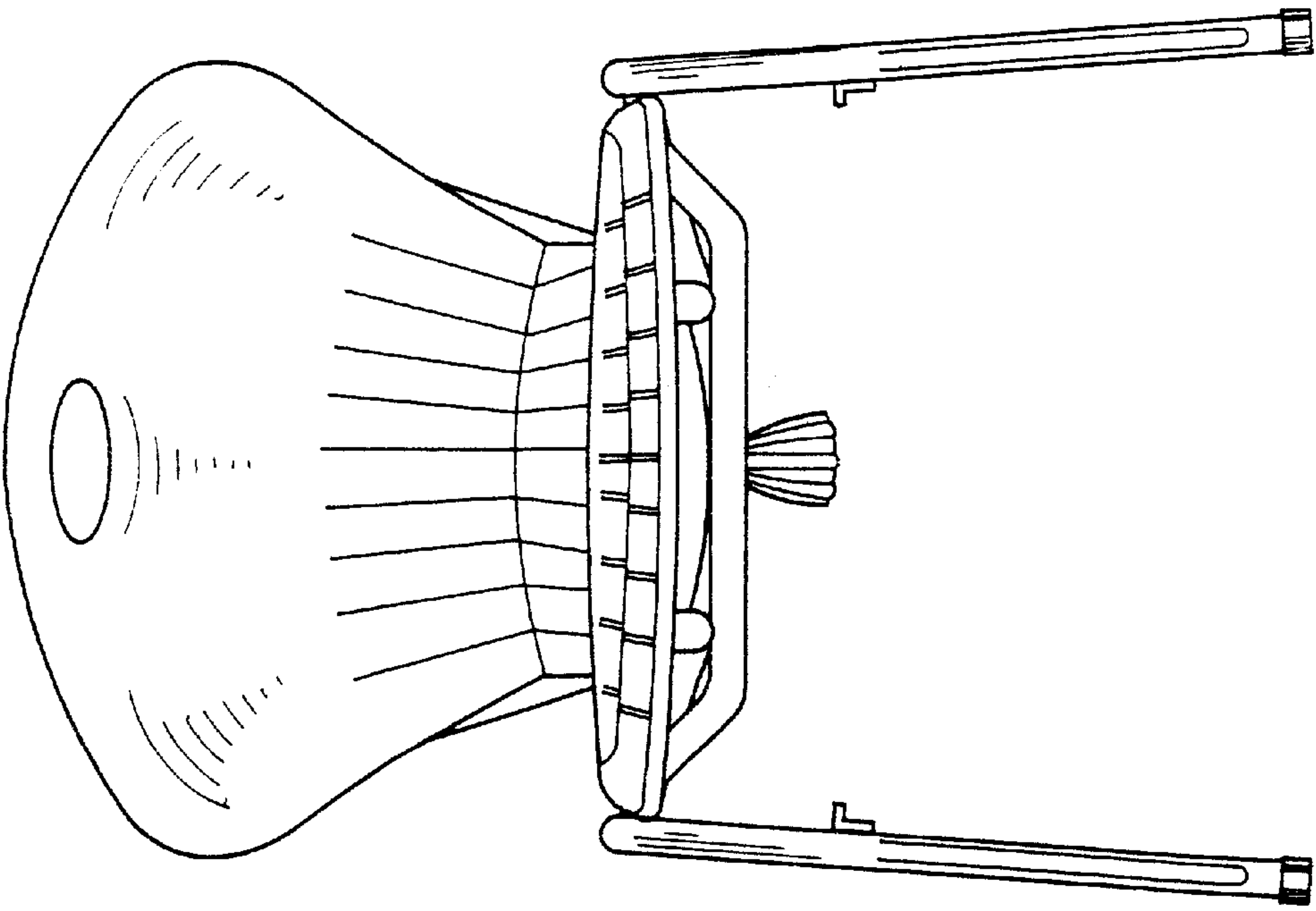


FIG. 2

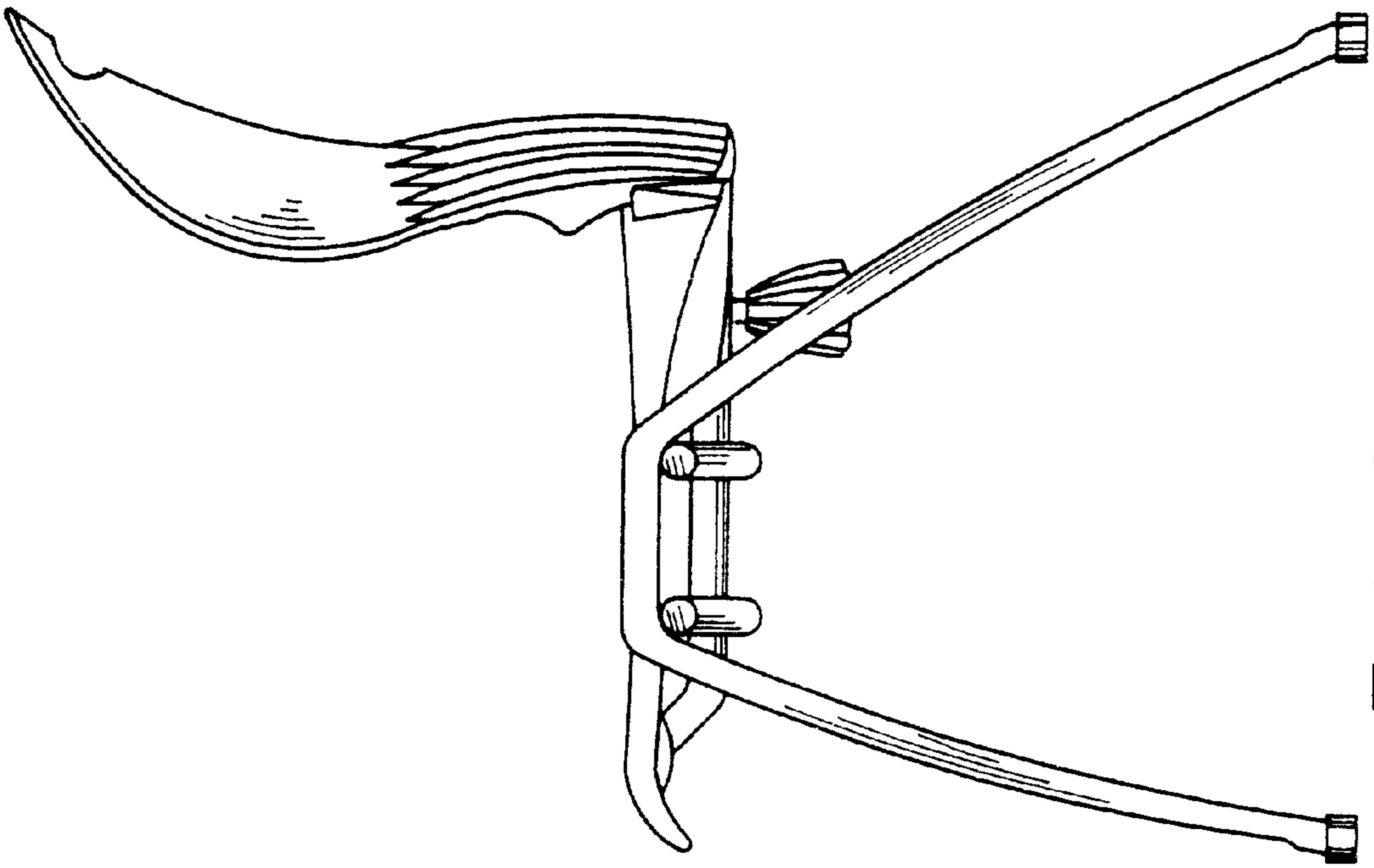


FIG. 5

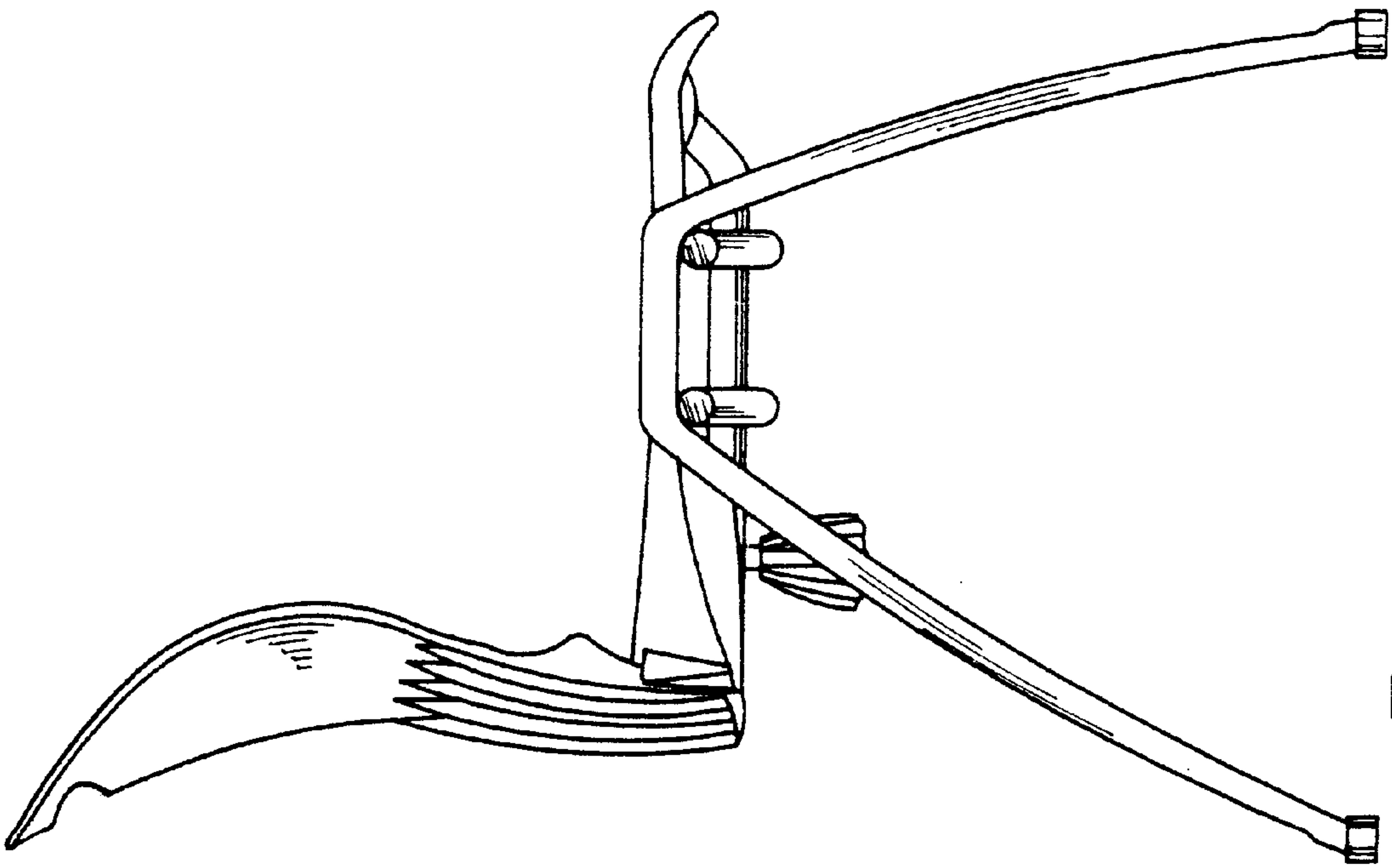


FIG. 4

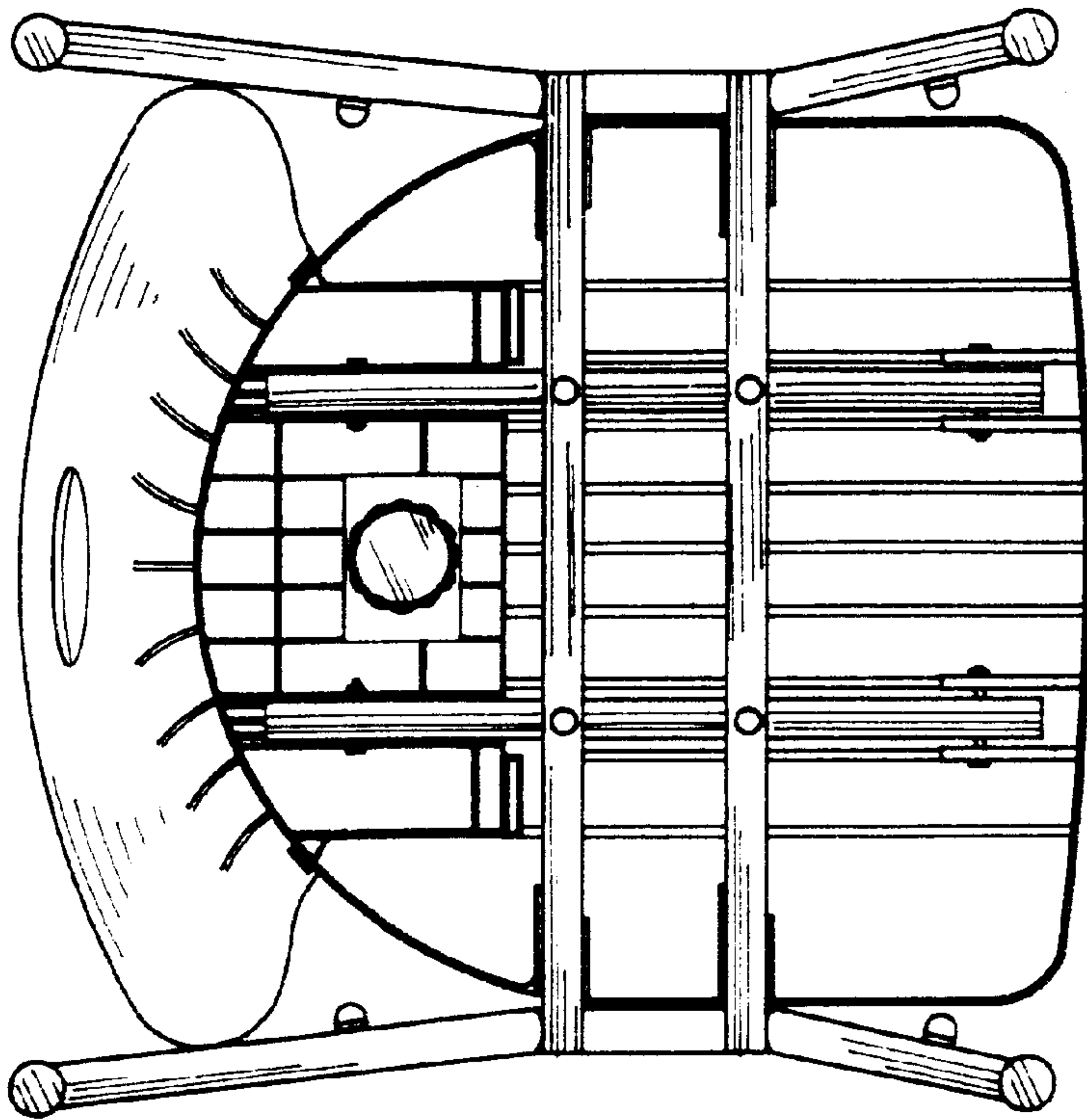


FIG. 7

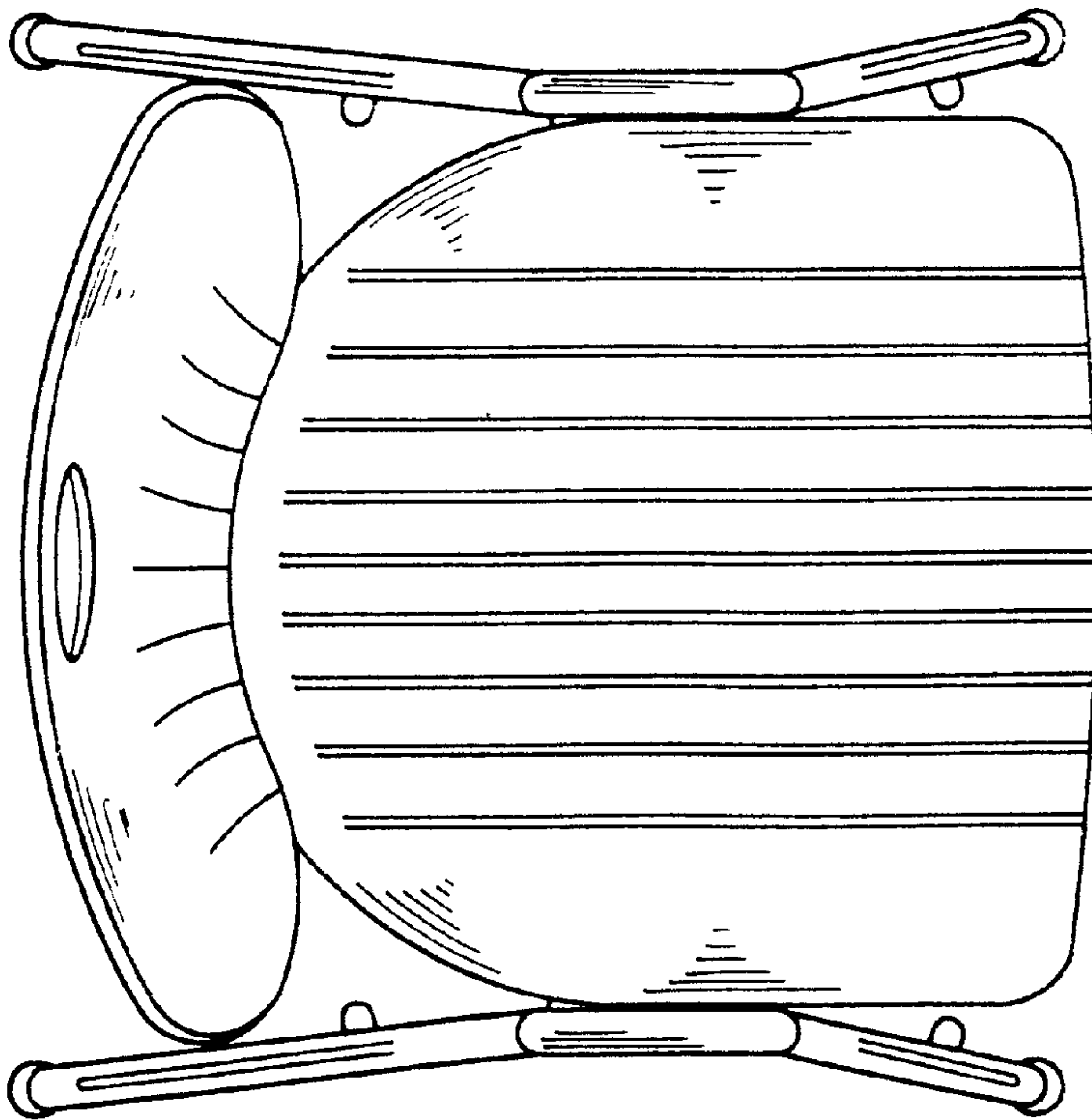


FIG. 6