

US00D409397S

United States Patent [19]
Zdun

[11] **Patent Number: Des. 409,397**

[45] **Date of Patent: ** May 11, 1999**

[54] **GARMENT HANGER**

Primary Examiner—B. J. Bullock

[76] Inventor: **Richard E. Zdun**, 22910 Sheridan,
Dearborn, Mich. 48128

[57] **CLAIM**

The ornamental design for a garment hanger, as shown and described.

[**] Term: **14 Years**

DESCRIPTION

[21] Appl. No.: **29/093,534**

FIG. 1 is a perspective view.
FIG. 2 is a front elevational view.
FIG. 3 is a right side elevational view.
FIG. 4 is a left side elevational view.
FIG. 5 is a top plan view.
FIG. 6 is a bottom plan view.
FIG. 7 is a rear elevational view; and,
FIG. 8 is a front elevational view of a second embodiment of the design of FIG. 1, the only difference being the addition of a horizontal support which has the same configuration as the other elements of the garment hanger.
FIGS. 2–7 are shown on an enlarged scale.

[22] Filed: **Sep. 14, 1998**

[51] **LOC (6) Cl.** **06-08**

[52] **U.S. Cl.** **D6/318; D6/317; D6/319**

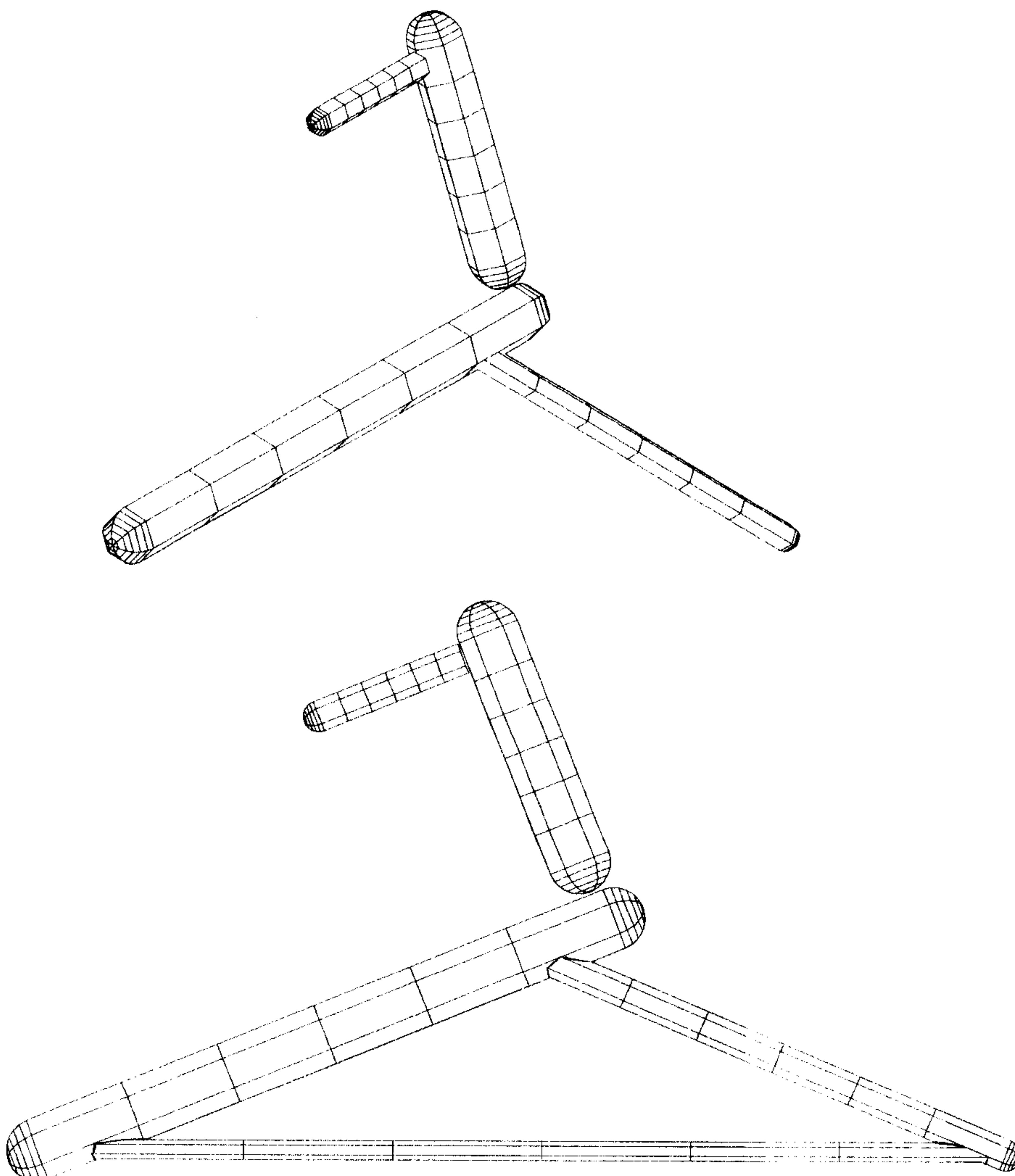
[58] **Field of Search** **D6/315, 318, 319, D6/317; 211/113; 223/85, 88, 91–96**

[56] **References Cited**

U.S. PATENT DOCUMENTS

- D. 48,852 4/1916 Berry .
- 2,357,496 9/1944 Boe et al. .
- 2,435,301 2/1948 Wing ate .
- 2,688,426 9/1954 Schuster .

1 Claim, 8 Drawing Sheets



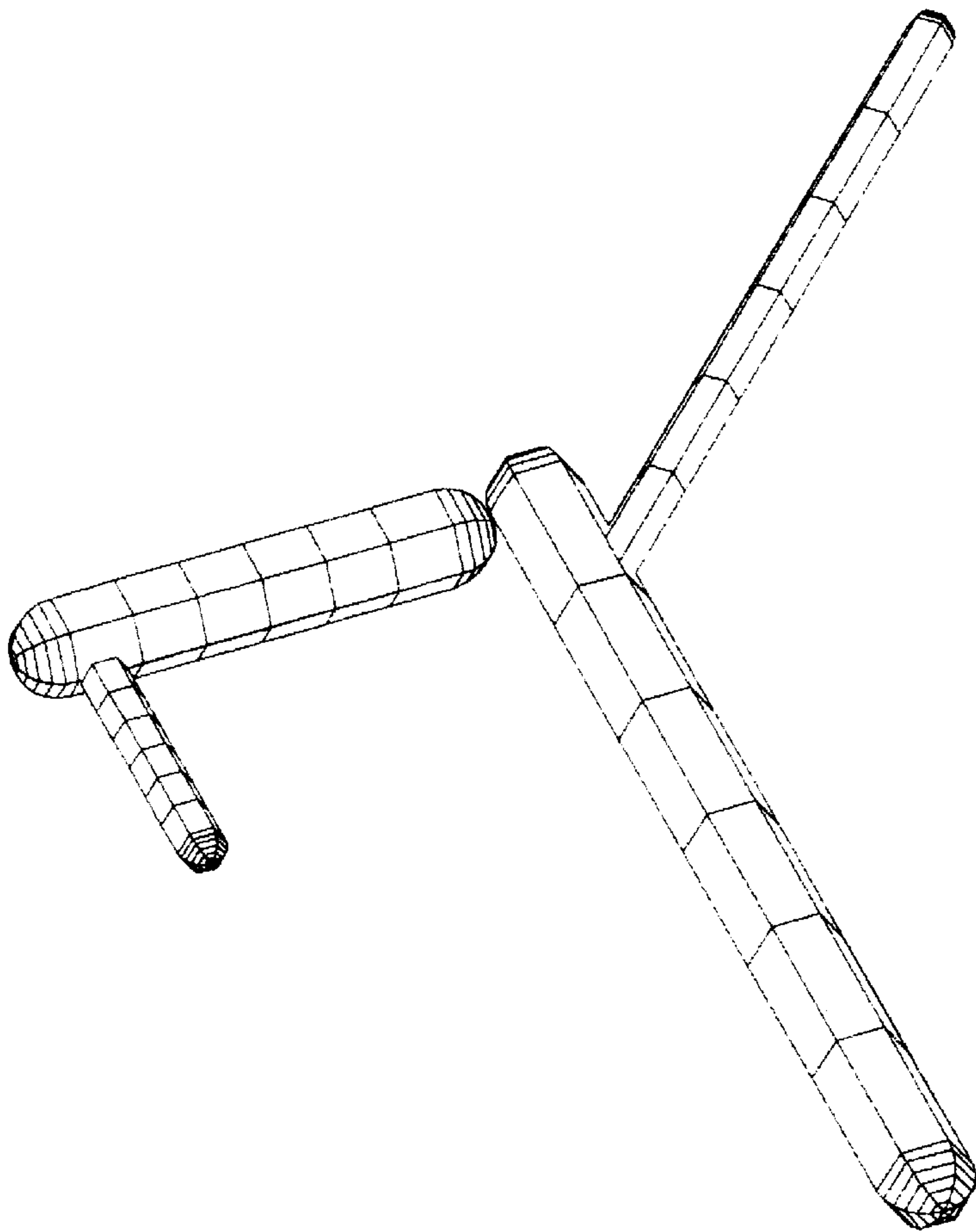


FIGURE 1

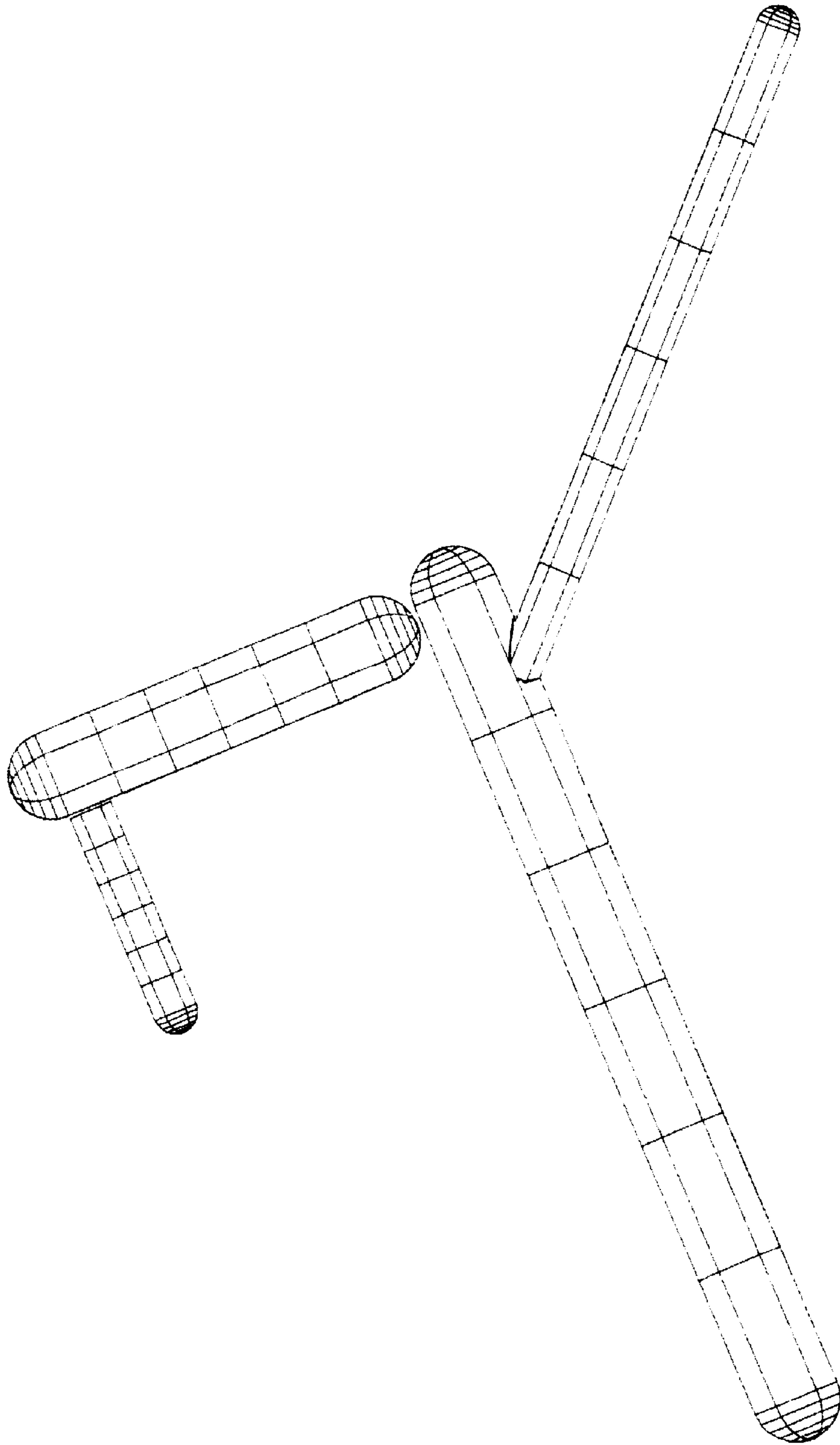


FIGURE 2

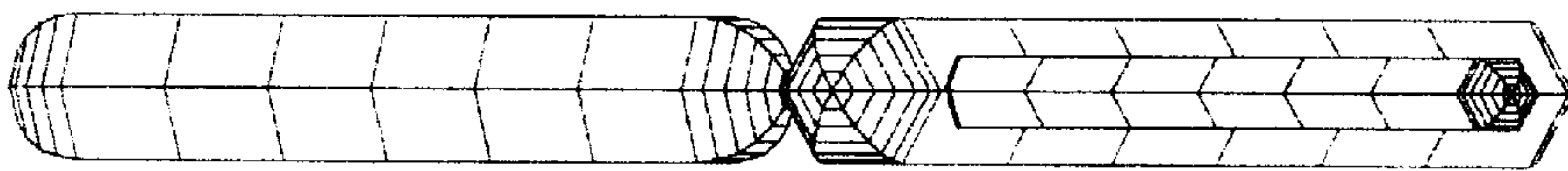


FIGURE 3

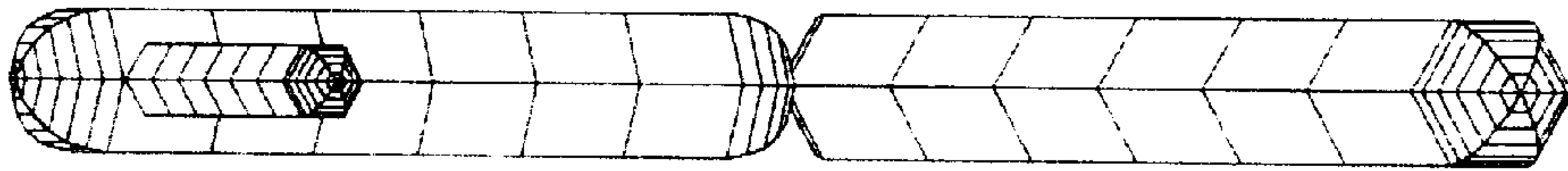


FIGURE 4

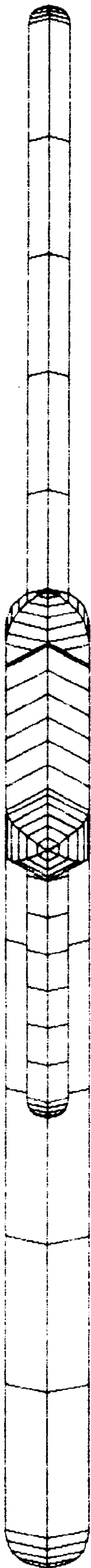


FIGURE 5

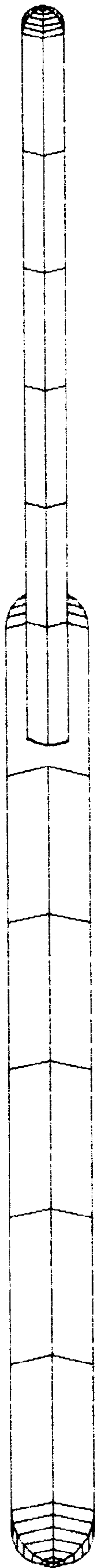


FIGURE 6

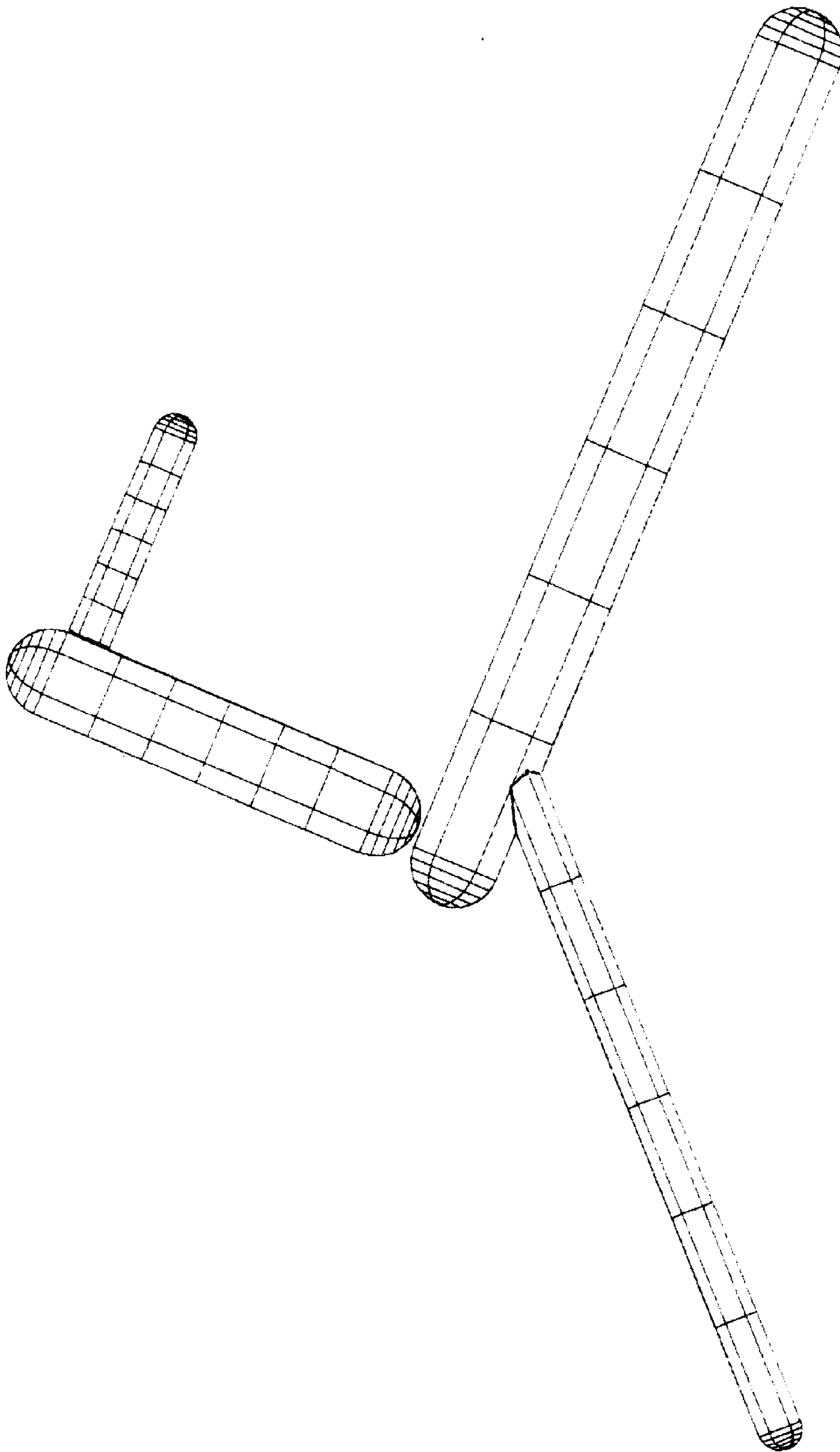


FIGURE 7

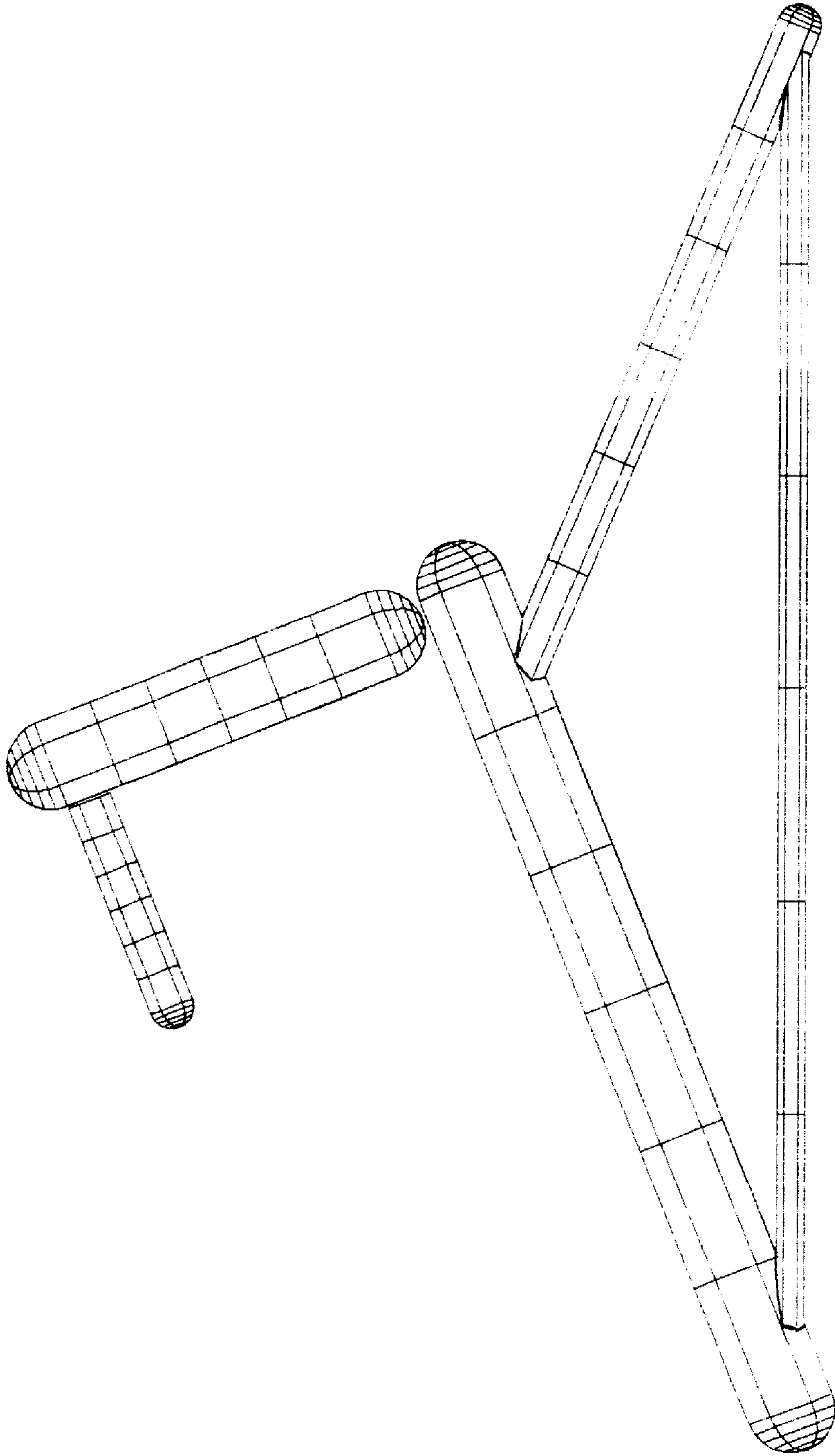


FIGURE 8