



US00D409396S

United States Patent [19] Bezdicek

[11] **Patent Number: Des. 409,396**

[45] **Date of Patent: ** May 11, 1999**

[54] **FREESTANDING FRAME FOR PICTURES**

D. 367,562 3/1996 Ressegger et al. D6/312

[76] Inventor: **Randall F. Bezdicek**, 19303 Little Spokane River Dr., Colbert, Wash. 99005

Primary Examiner—Janice E. Seeger
Attorney, Agent, or Firm—Keith S. Bergman

[**] Term: **14 Years**

[57] **CLAIM**

The ornamental design for freestanding frame for pictures, shown and described.

[21] Appl. No.: **29/083,295**

[22] Filed: **Jan. 26, 1998**

DESCRIPTION

[51] **LOC (6) Cl.** **06-07**

[52] **U.S. Cl.** **D6/310; D6/300**

[58] **Field of Search** D6/300-302, 303, D6/309-314; 40/700, 711, 722, 739, 745-749, 765, 779, 790, 798

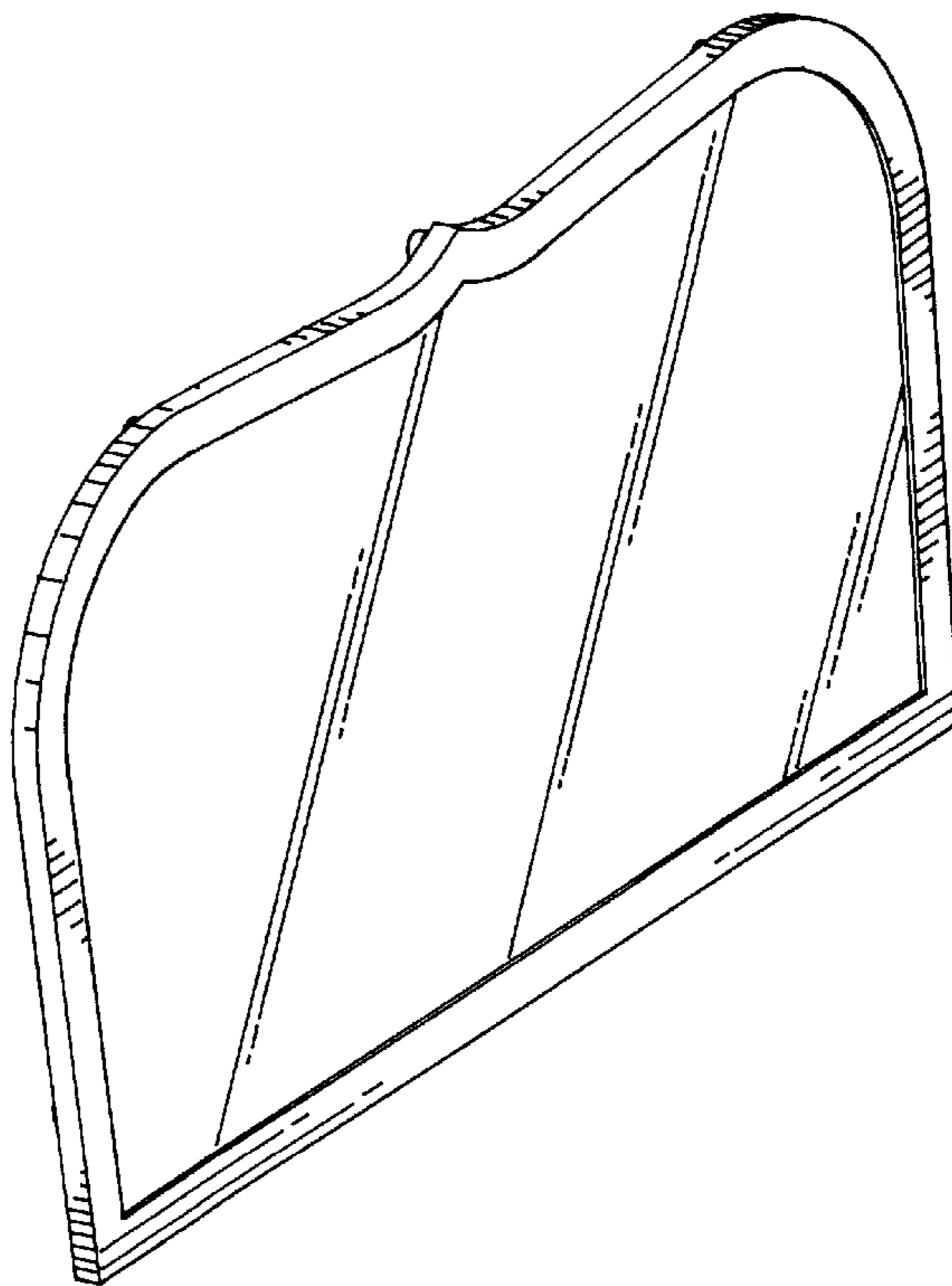
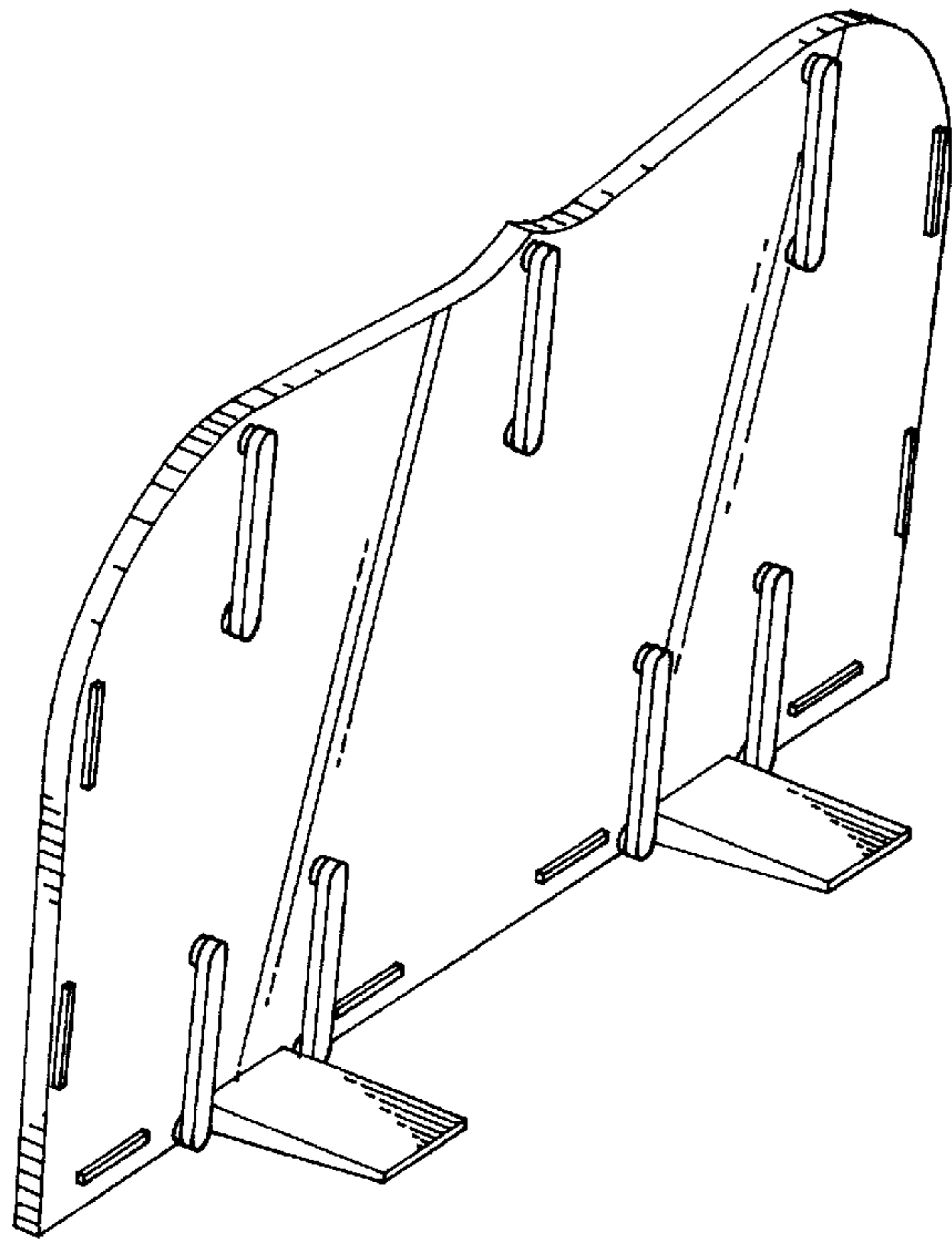
FIG. 1 is an isometric view of the face of design for freestanding frame for pictures showing my new design; FIG. 2 is an isometric view of the back thereof; FIG. 3 is a top view thereof; FIG. 4 is a front elevational view thereof; FIG. 5 is a bottom view thereof; FIG. 6 is a back elevational view thereof; FIG. 7 is a right side elevational view thereof; and, FIG. 8 is a left side elevational view thereof.

[56] **References Cited**

U.S. PATENT DOCUMENTS

- D. 343,065 1/1994 Barbieri D6/310
- D. 348,358 7/1994 Brunner et al. D6/300

1 Claim, 2 Drawing Sheets



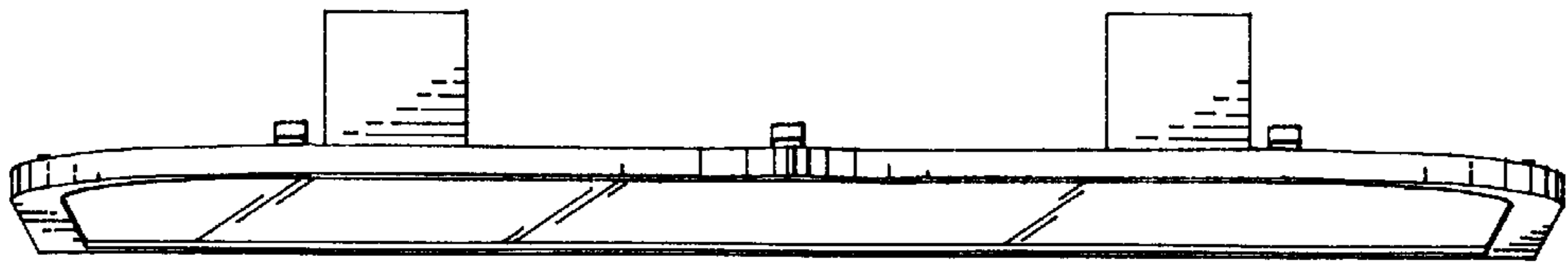
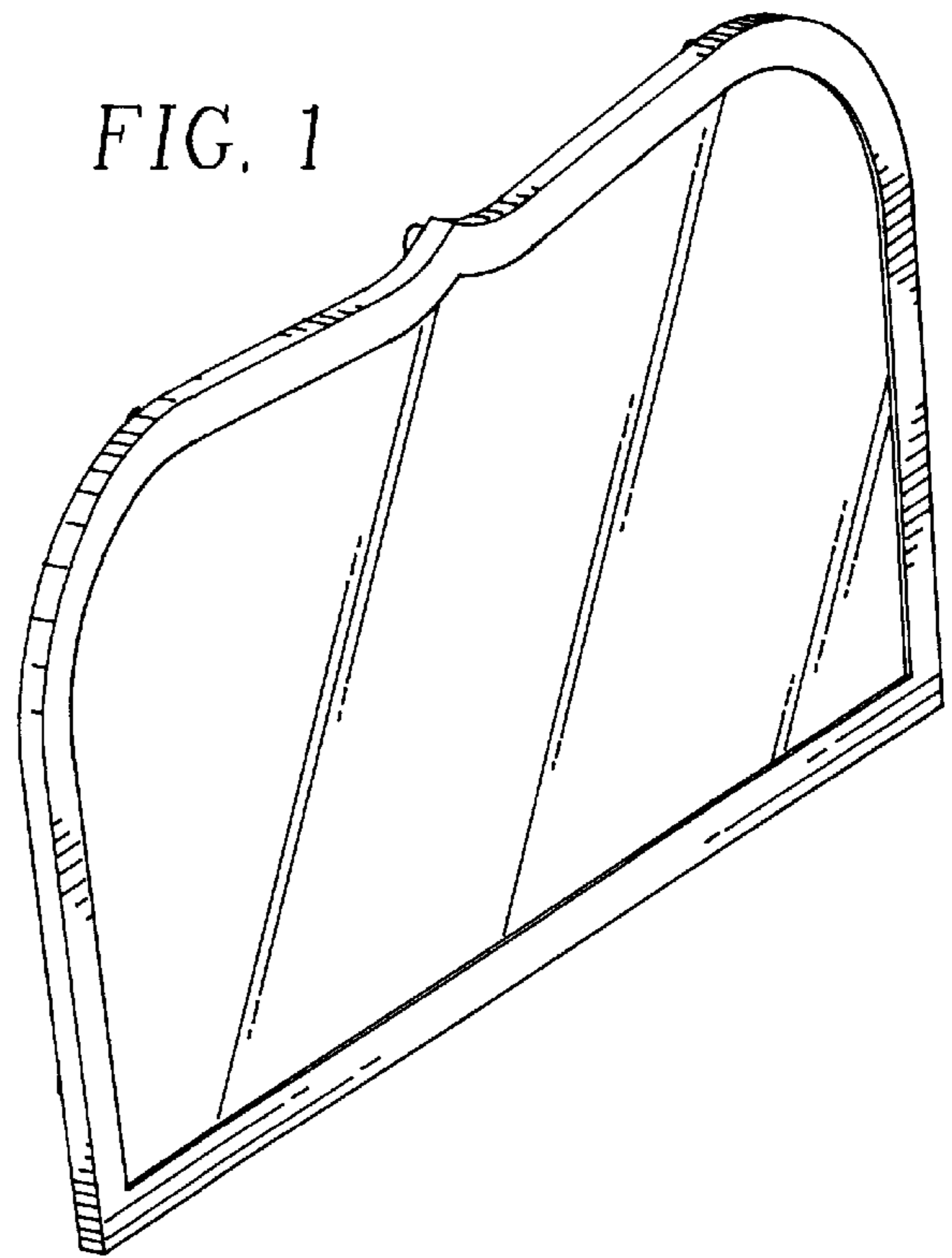
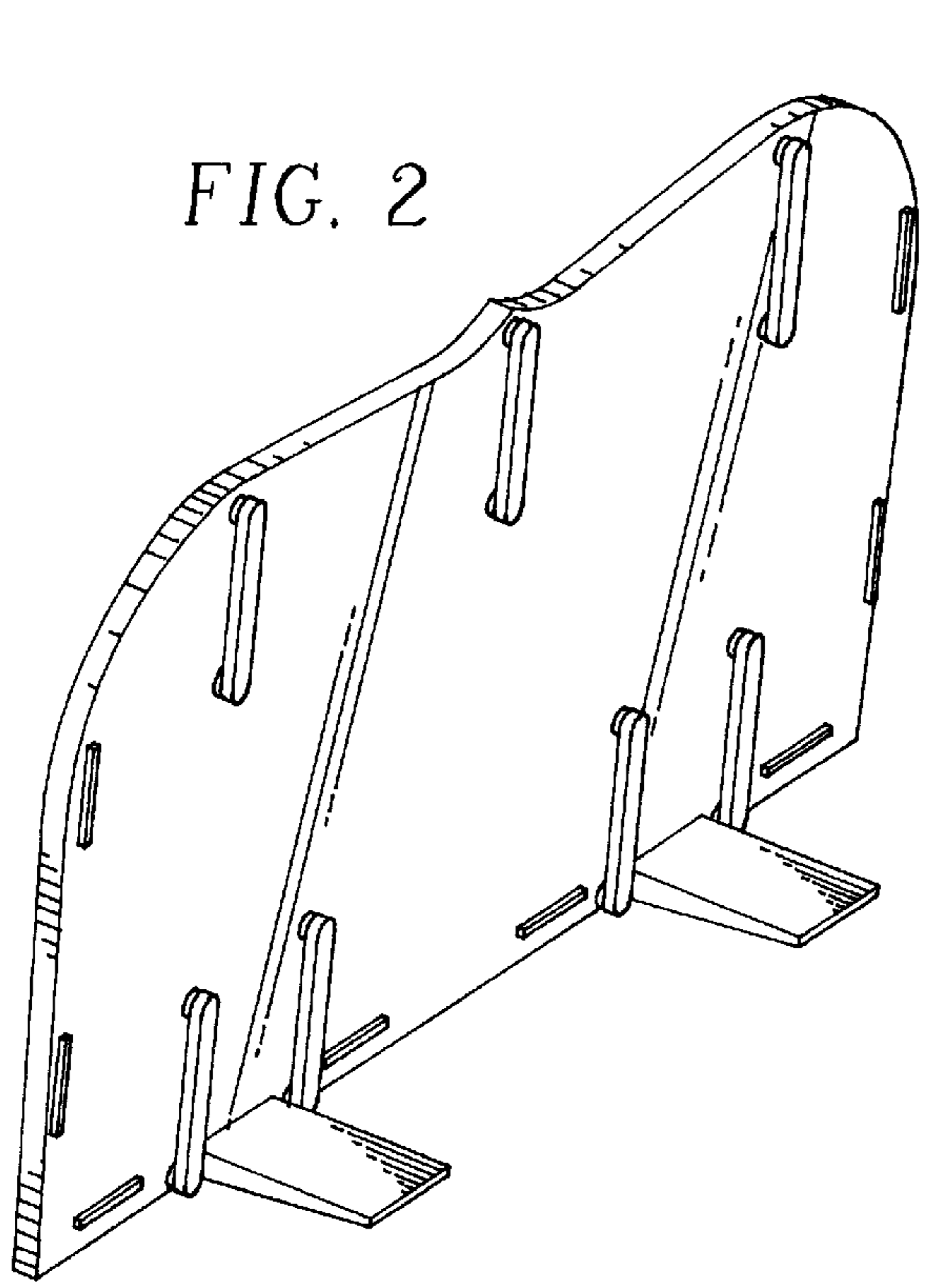


FIG. 3

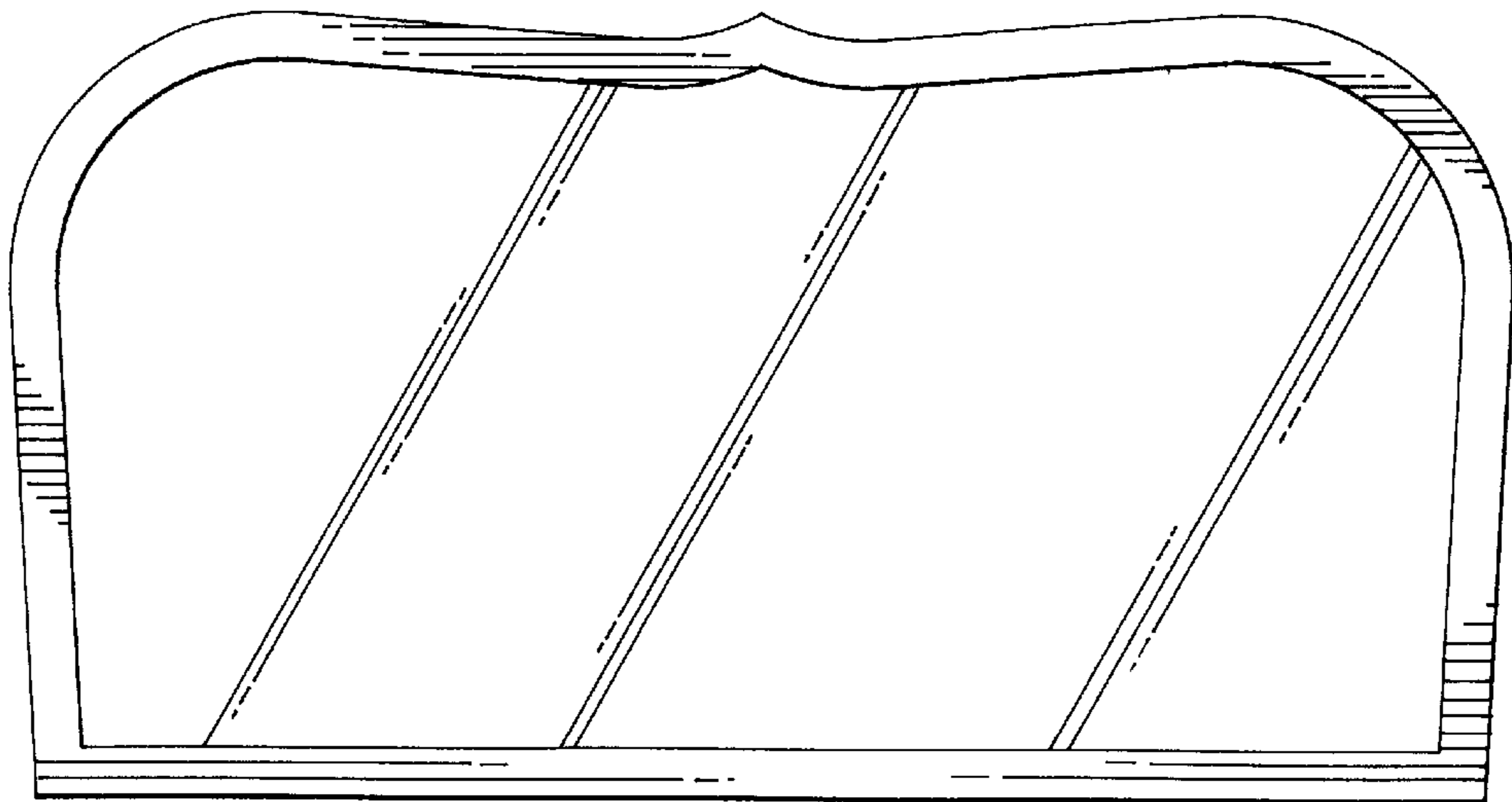


FIG. 4

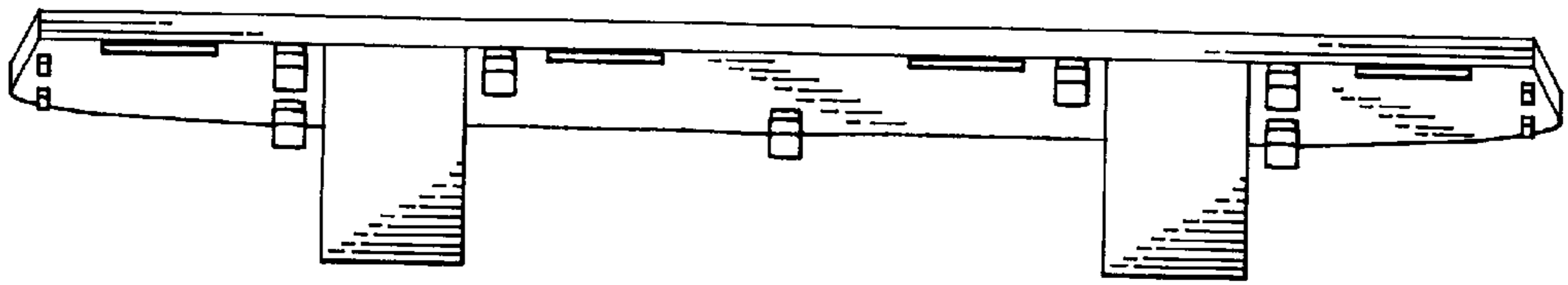


FIG. 5

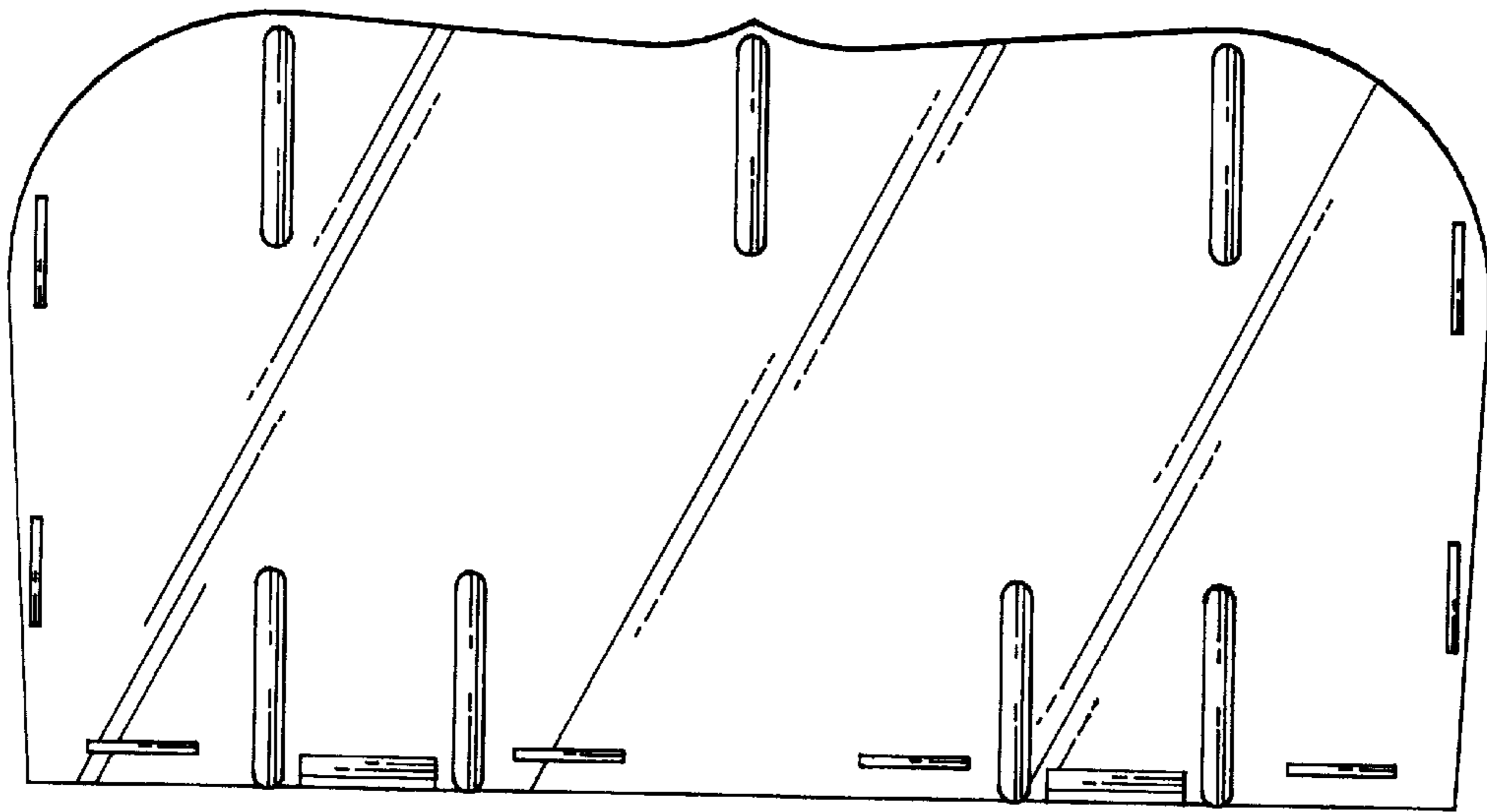


FIG. 6



FIG. 7

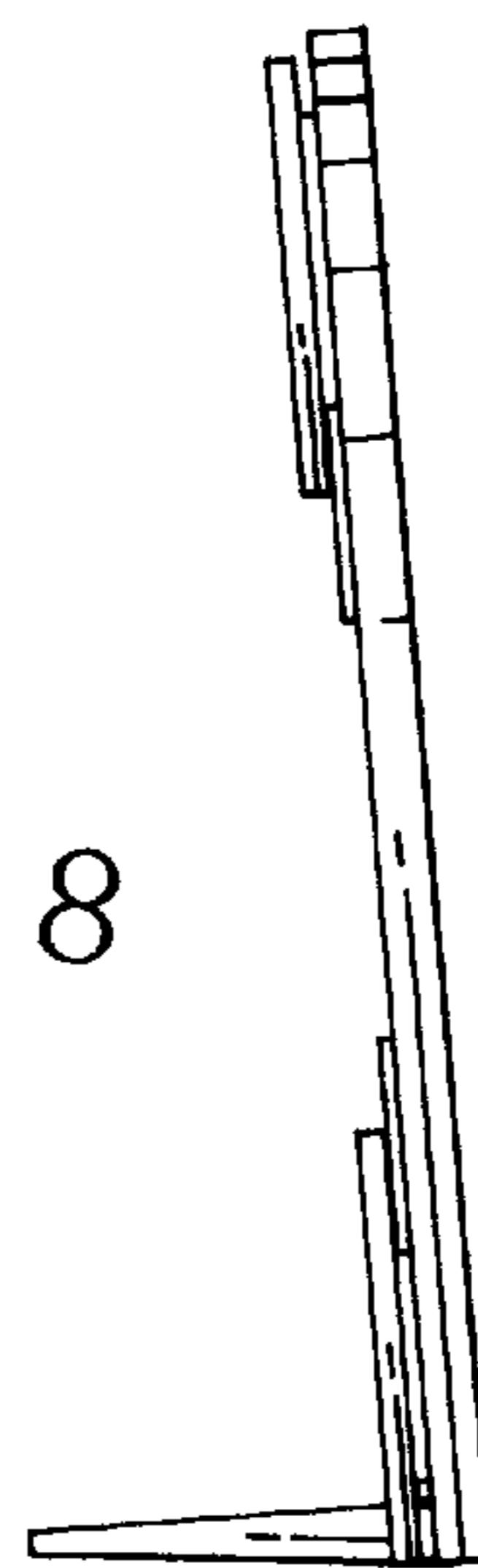


FIG. 8