



US00D409392S

United States Patent [19]

Walters, III et al.

[11] Patent Number: **Des. 409,392**

[45] Date of Patent: **** May 11, 1999**

[54] **MIRROR**

[75] Inventors: **Guy A. Walters, III**, High Point; **Avis Edward Tobin, Jr.**, Thomasville, both of N.C.

[73] Assignee: **Thomasville Furniture Industries, Inc.**, Thomasville, N.C.

[**] Term: **14 Years**

[21] Appl. No.: **29/094,526**

[22] Filed: **Oct. 5, 1998**

[51] **LOC (6) Cl.** **06-07**

[52] **U.S. Cl.** **D6/300**

[58] **Field of Search** D6/300-303, 310-312; 40/700, 711, 722, 771, 772, 780, 790, 798, 799, 800, 738; 359/838, 871; 248/466

[56] **References Cited**

U.S. PATENT DOCUMENTS

D. 227,970 7/1973 Davidoff D6/300

D. 288,746 3/1987 Allekotte D6/300
D. 358,037 5/1995 Monroe D6/300
D. 372,591 8/1996 Brunner et al. D6/300
5,286,558 2/1994 Seo et al. 40/768

Primary Examiner—Janice E. Seeger
Attorney, Agent, or Firm—Rhodes, Coats & Bennett, L.L.P.

[57] **CLAIM**

The ornamental design for a mirror, as shown and described.

DESCRIPTION

FIG. 1 is a front elevational view of a mirror showing our new design;

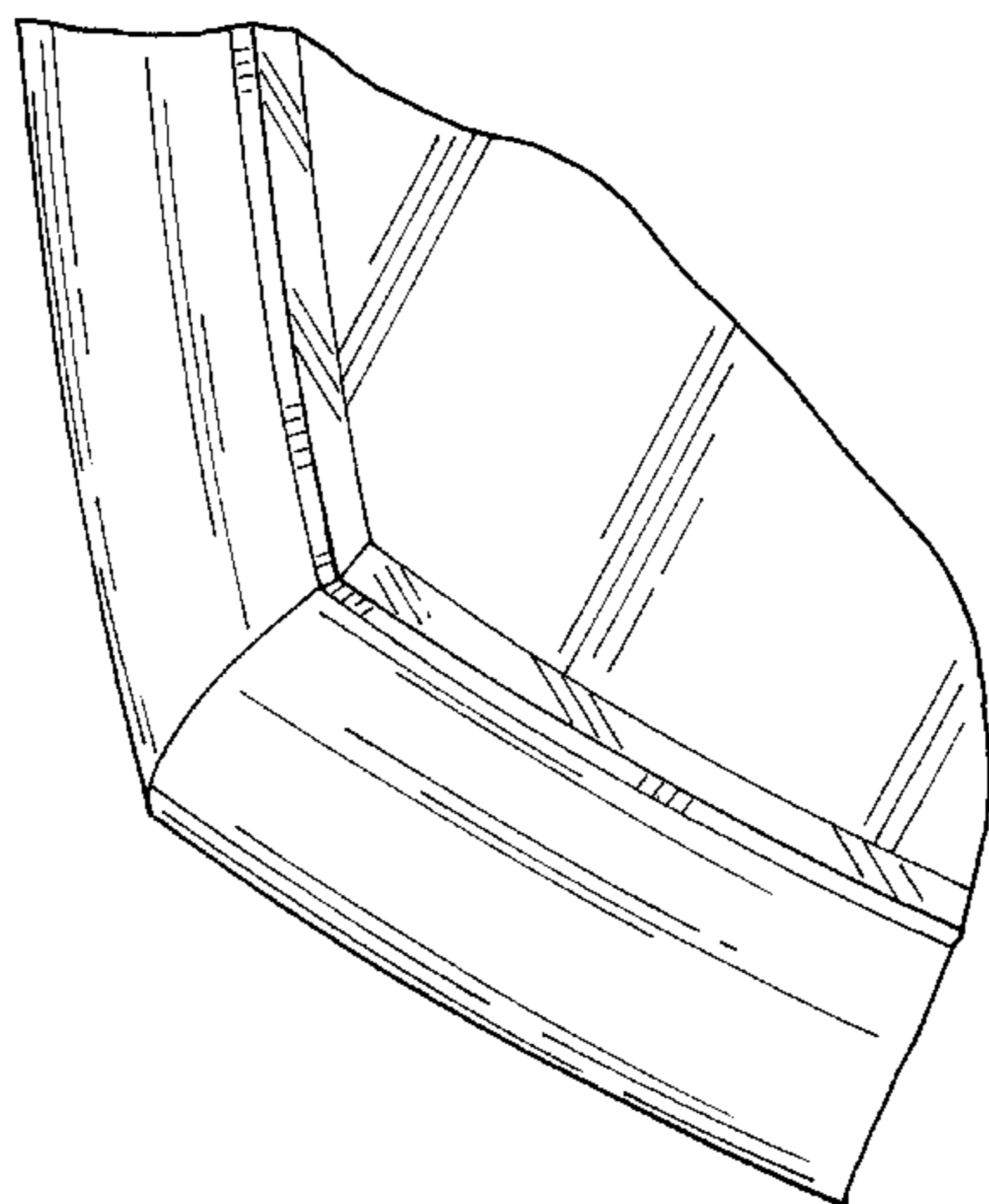
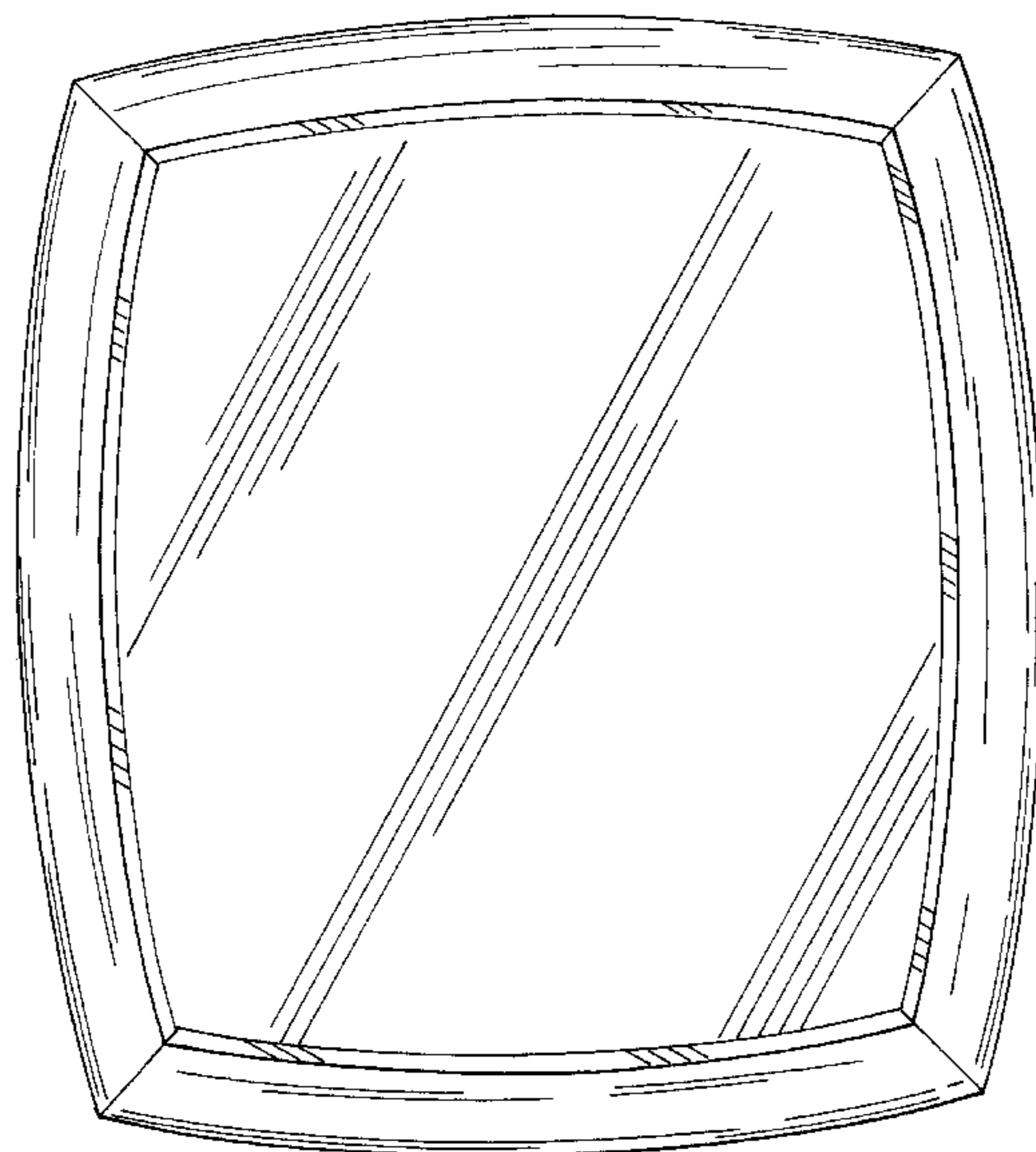
FIG. 2 is a side view, the opposite side being a mirror image thereof;

FIG. 3 is a left front perspective view thereof; and,

FIG. 4 is a partial perspective view thereof.

The top, bottom and rear views of the design are not shown and form no part of the claimed design.

1 Claim, 2 Drawing Sheets



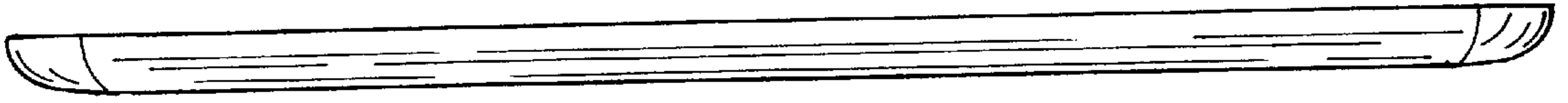
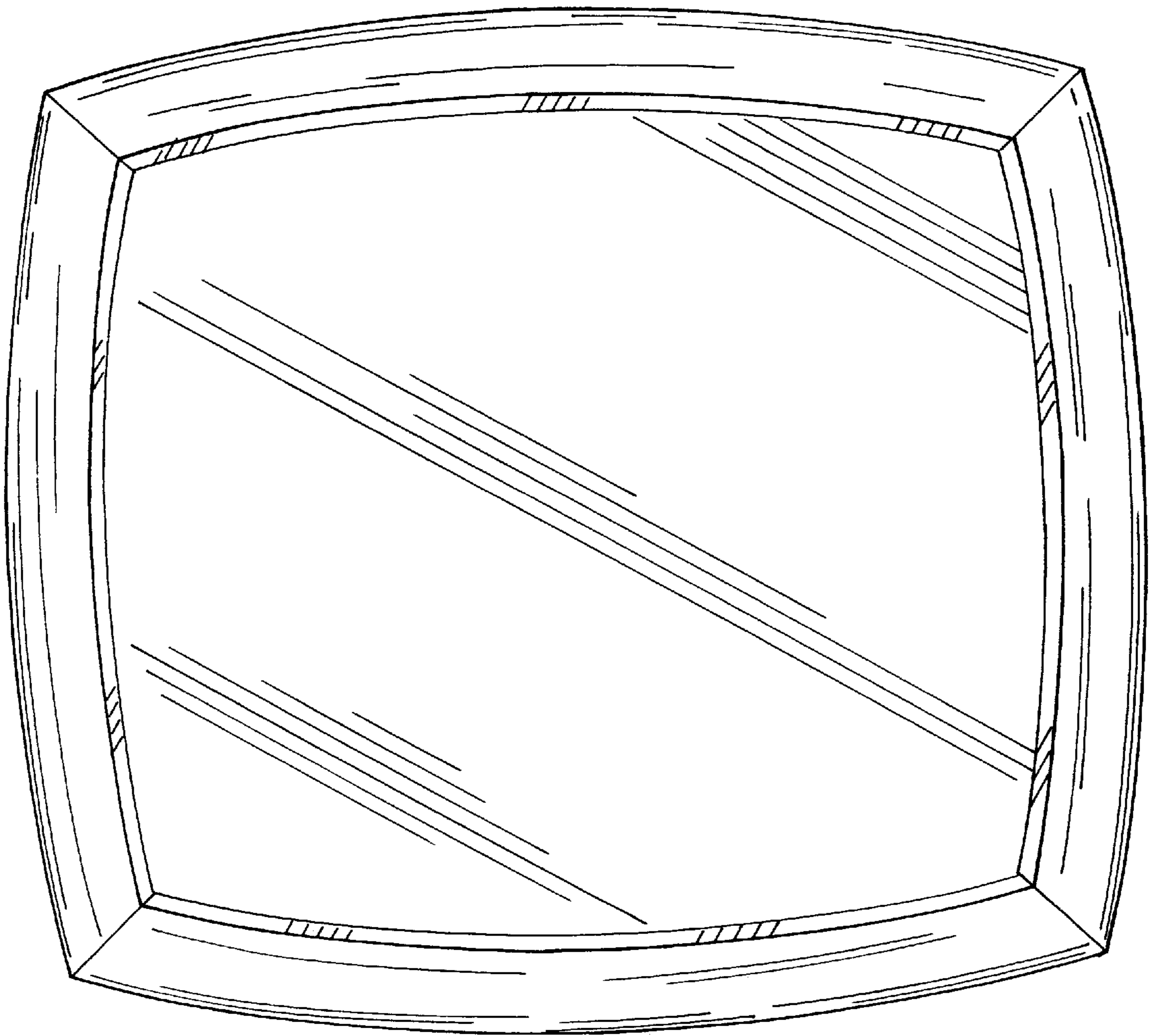


FIG. 2

FIG. 1



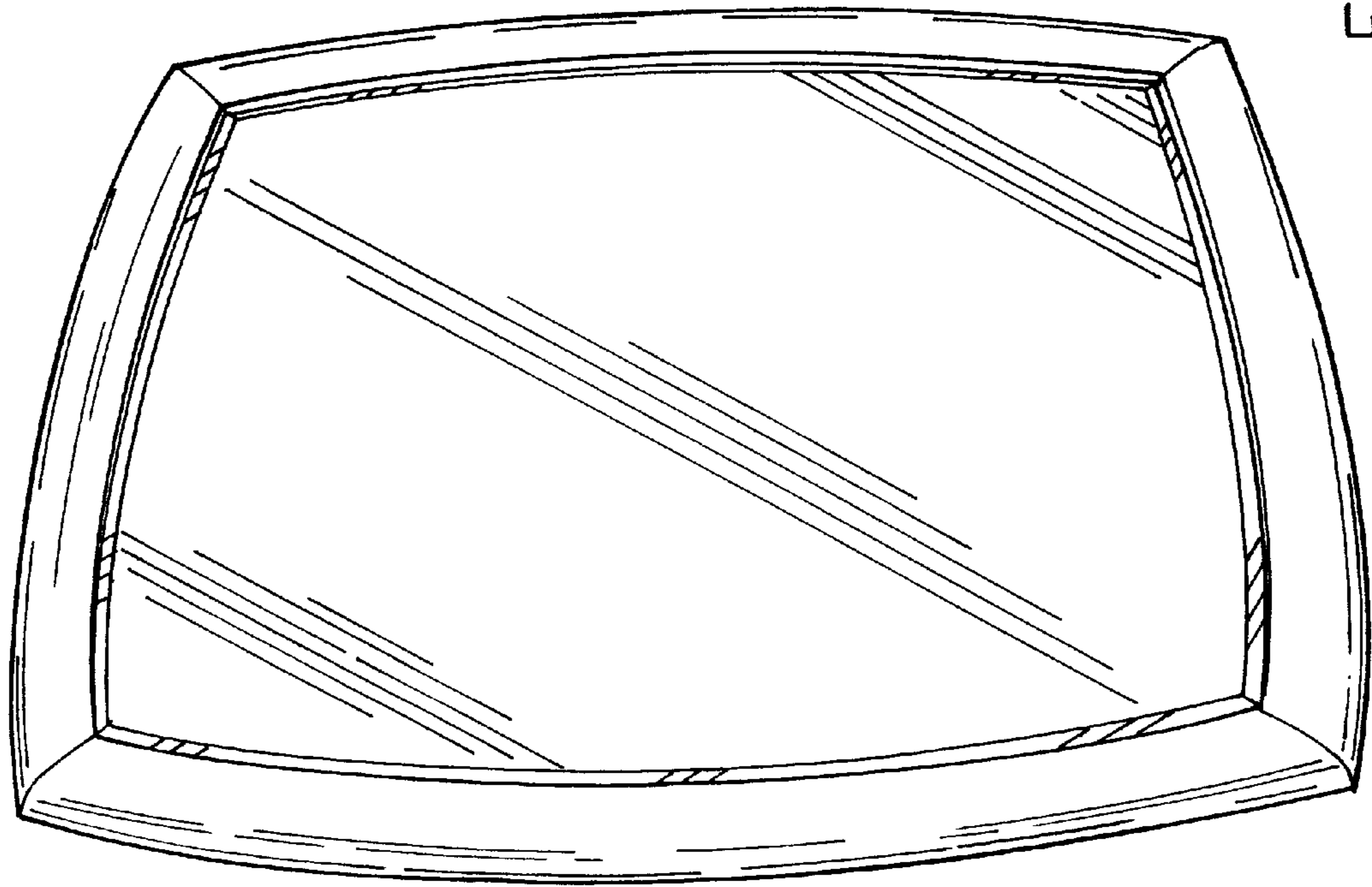


FIG. 3

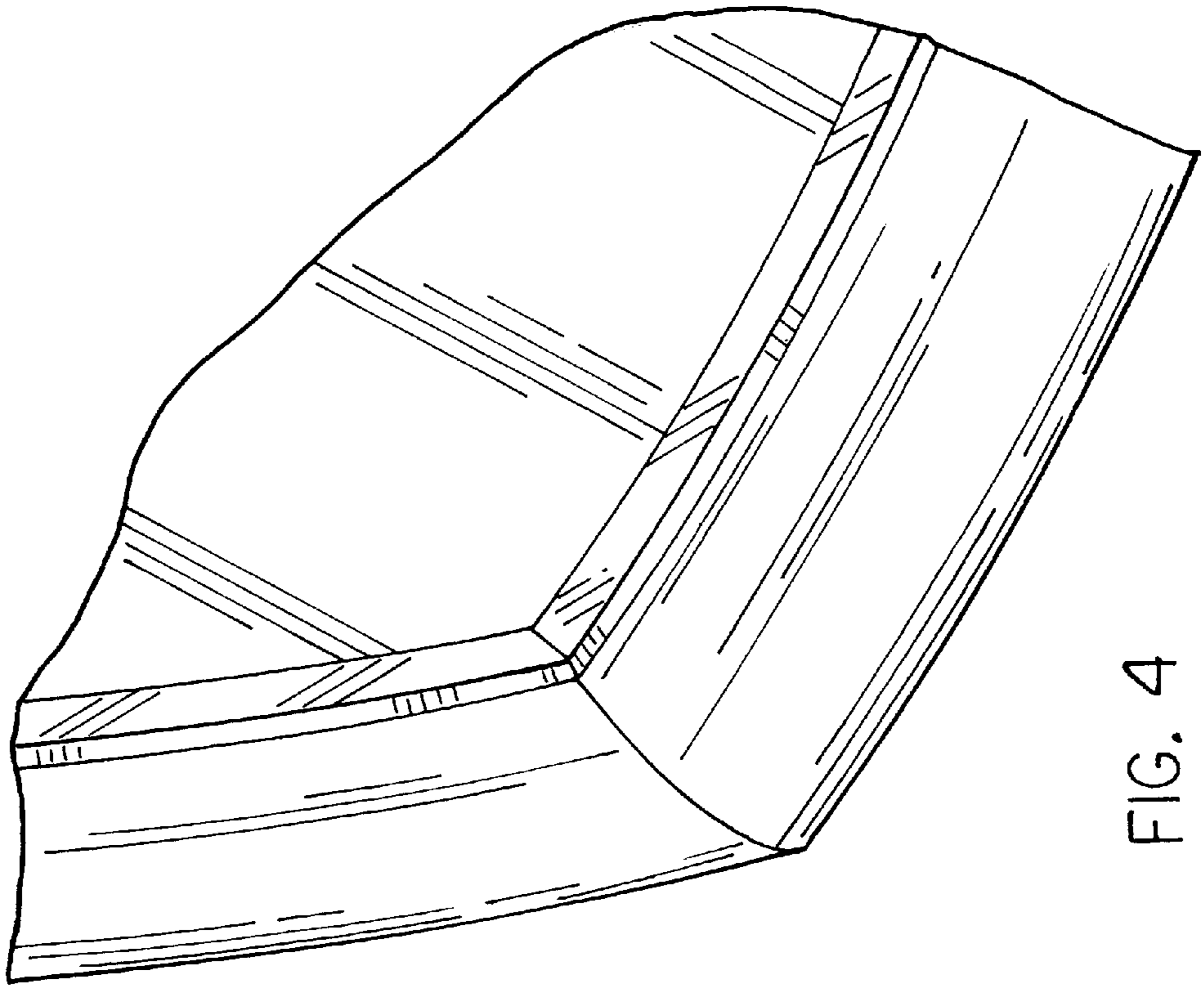


FIG. 4