



US00D409388S

United States Patent [19] Pinchuk

[11] Patent Number: Des. 409,388

[45] Date of Patent: ** May 11, 1999

[54] ION EMITTING HAIR BRUSH

[75] Inventor: Rene Pinchuk, Kensington, Calif.

[73] Assignee: The Sharper Image, San Francisco, Calif.

[**] Term: 14 Years

[21] Appl. No.: 29/079,851

[22] Filed: Nov. 24, 1997

[51] LOC (6) Cl. 04-02

[52] U.S. Cl. D4/136

[58] Field of Search D4/132-134, 136-138, D4/100; 15/143.1, 159.1, 160, 186-188; 132/119, 120, 271, 313

[56] References Cited

U.S. PATENT DOCUMENTS

D. 114,198	4/1939	Muller-munk	D4/134
D. 290,910	7/1987	Steadman et al.	D4/136
D. 352,397	11/1994	Coleman	D4/136 X
D. 366,567	1/1996	Gertsma et al.	D4/136
D. 383,901	9/1997	Anderson et al.	D4/138

OTHER PUBLICATIONS

Hong Kong Enterprise, Hairbrushes, p. 967, Oct. 1995.

Primary Examiner—Alan P. Douglas

Assistant Examiner—Lavone D. Tabor

Attorney, Agent, or Firm—Flehr Hohbach Test Albritton & Herbert LLP

[57] CLAIM

The ornamental design for an ion emitting hair brush, as shown and described.

DESCRIPTION

Applicant's invention is an ornamental design for an ion emitting hair brush intended for use in grooming hair in the presence of ions emitted by the hair brush.

FIG. 1 is a side perspective view of a preferred embodiment of an ion emitting hair brush showing my new design;

FIG. 2 is a top plan view of the invention of FIG. 1;

FIG. 3 is an end elevation from the head of the invention of FIG. 1;

FIG. 4 is a bottom plan view of the invention of FIG. 1;

FIG. 5 is an end elevation from the handle of the invention of FIG. 1;

FIG. 6 is an elevation view of the side opposite that shown in FIG. 1;

FIG. 7 is a side perspective view of an alternative embodiment of an ion emitting hair brush showing my new design;

FIG. 8 is a top plan view of the invention of FIG. 7;

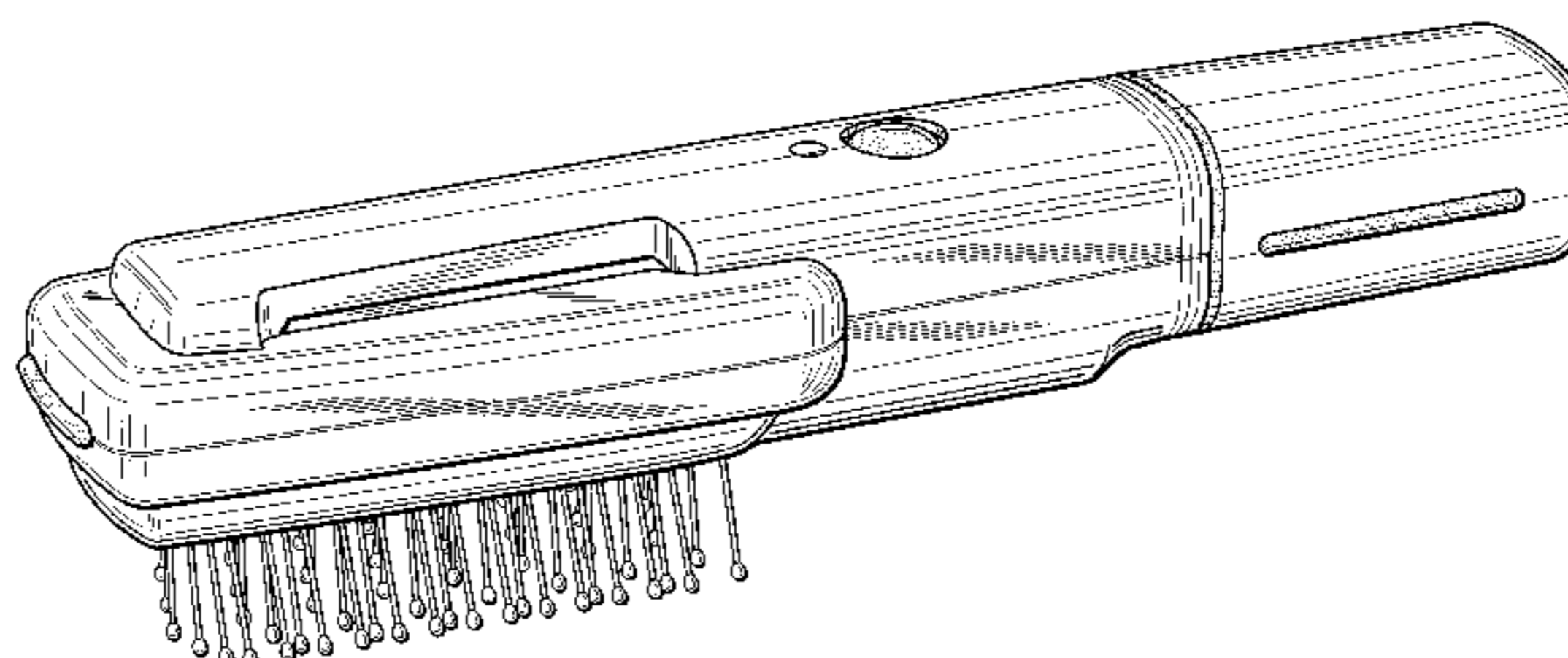
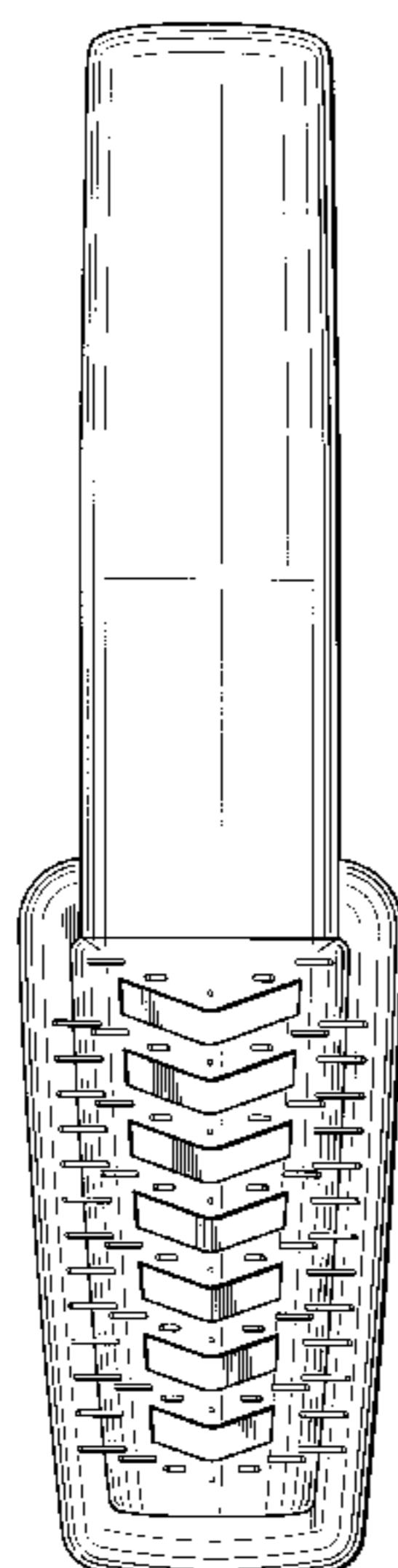
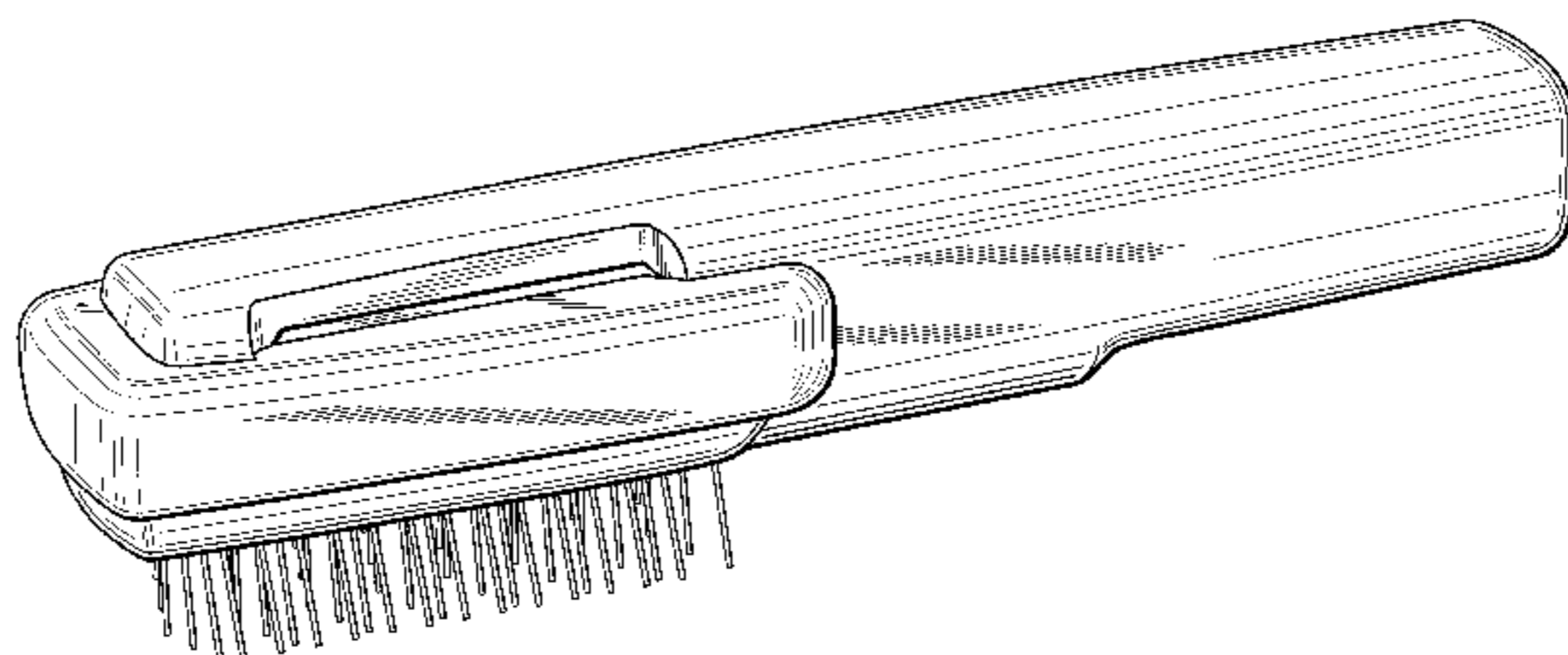
FIG. 9 is an end elevation from the head of the invention of FIG. 7;

FIG. 10 is a bottom plan view of the invention of FIG. 7;

FIG. 11 is an end elevation from the handle of the invention of FIG. 7; and,

FIG. 12 is an elevation view of the side opposite that shown in FIG. 7.

1 Claim, 6 Drawing Sheets



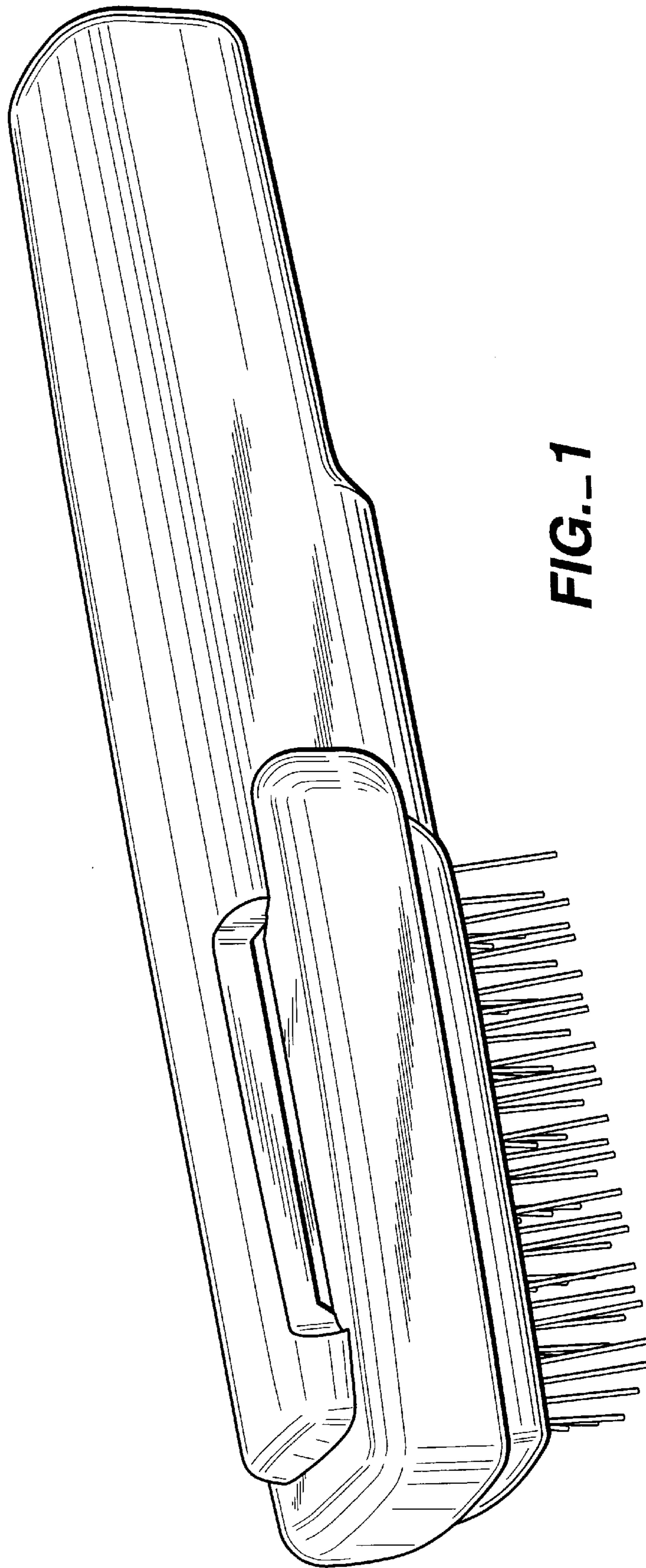


FIG. 1

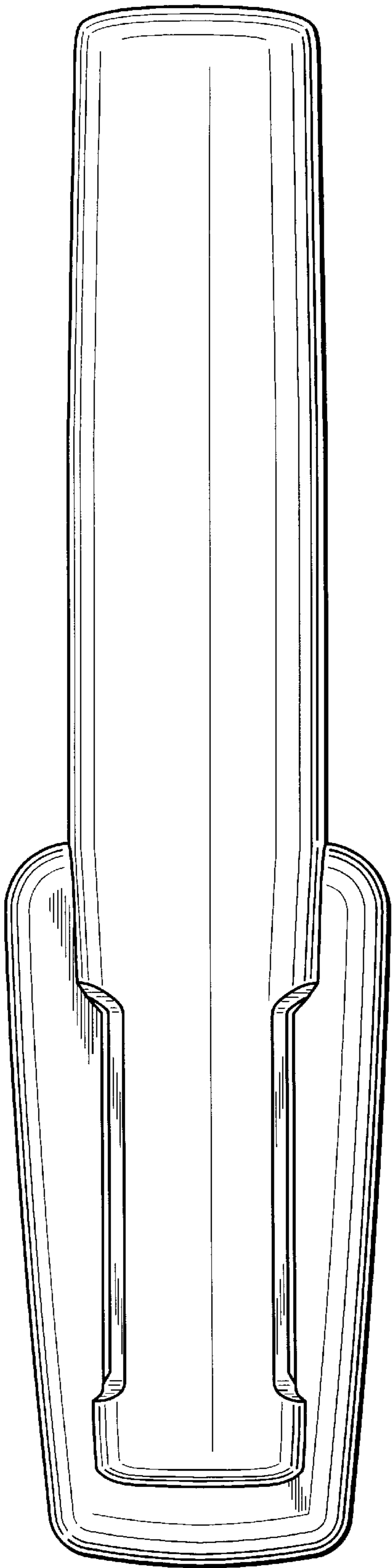


FIG. 2

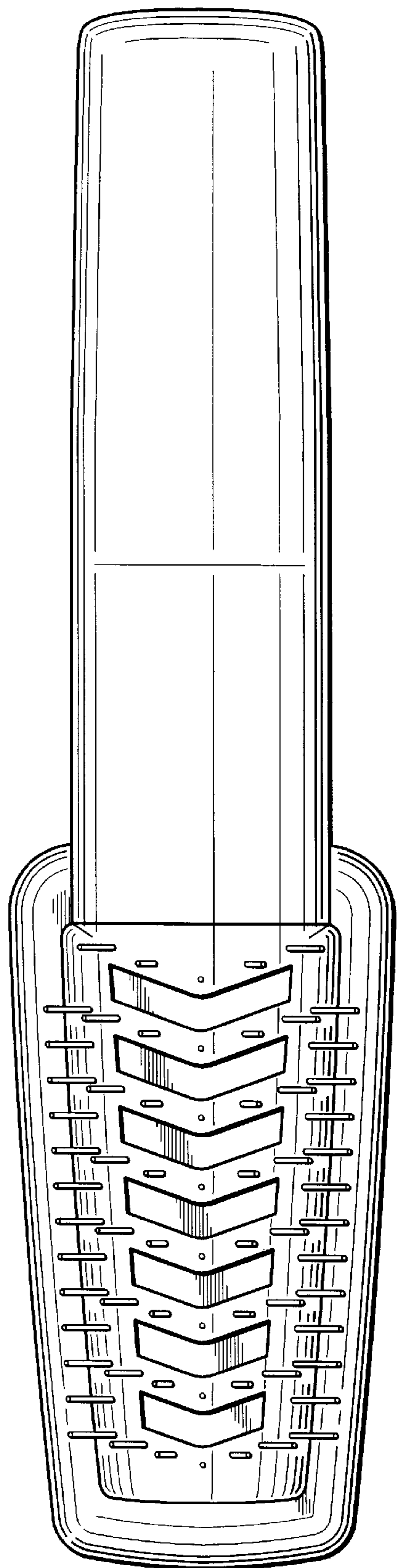


FIG. 4

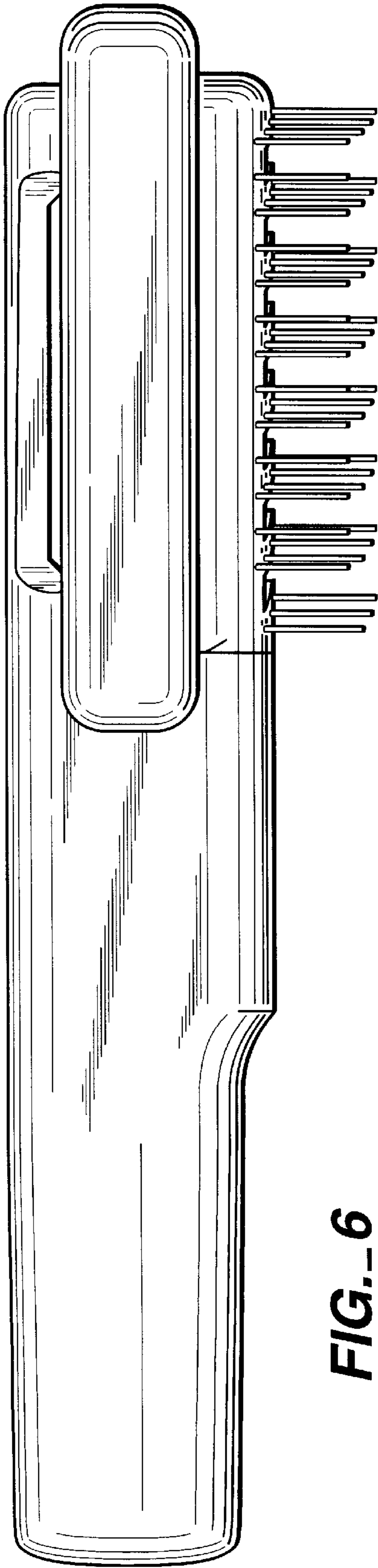


FIG. 6

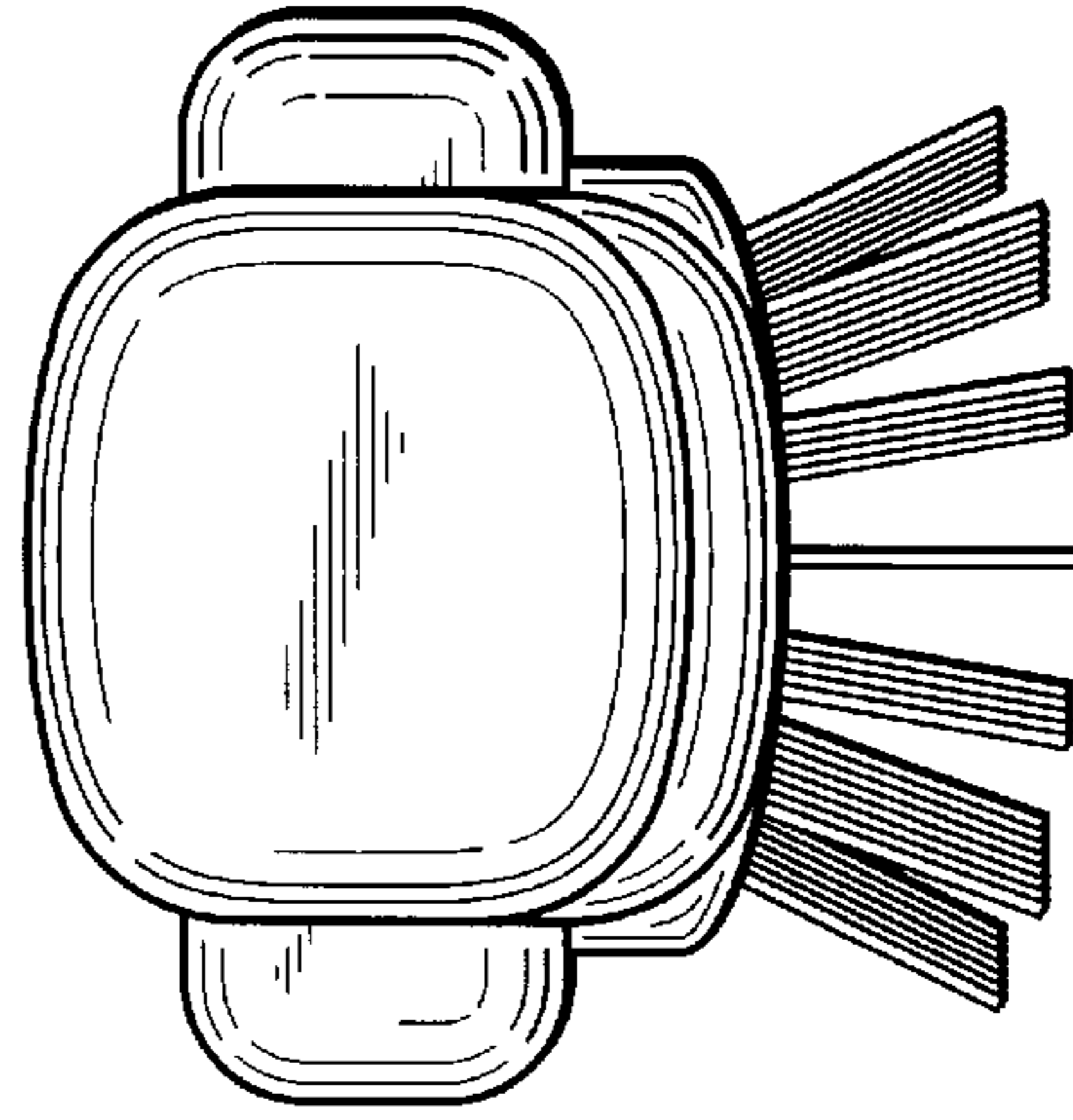


FIG. 5

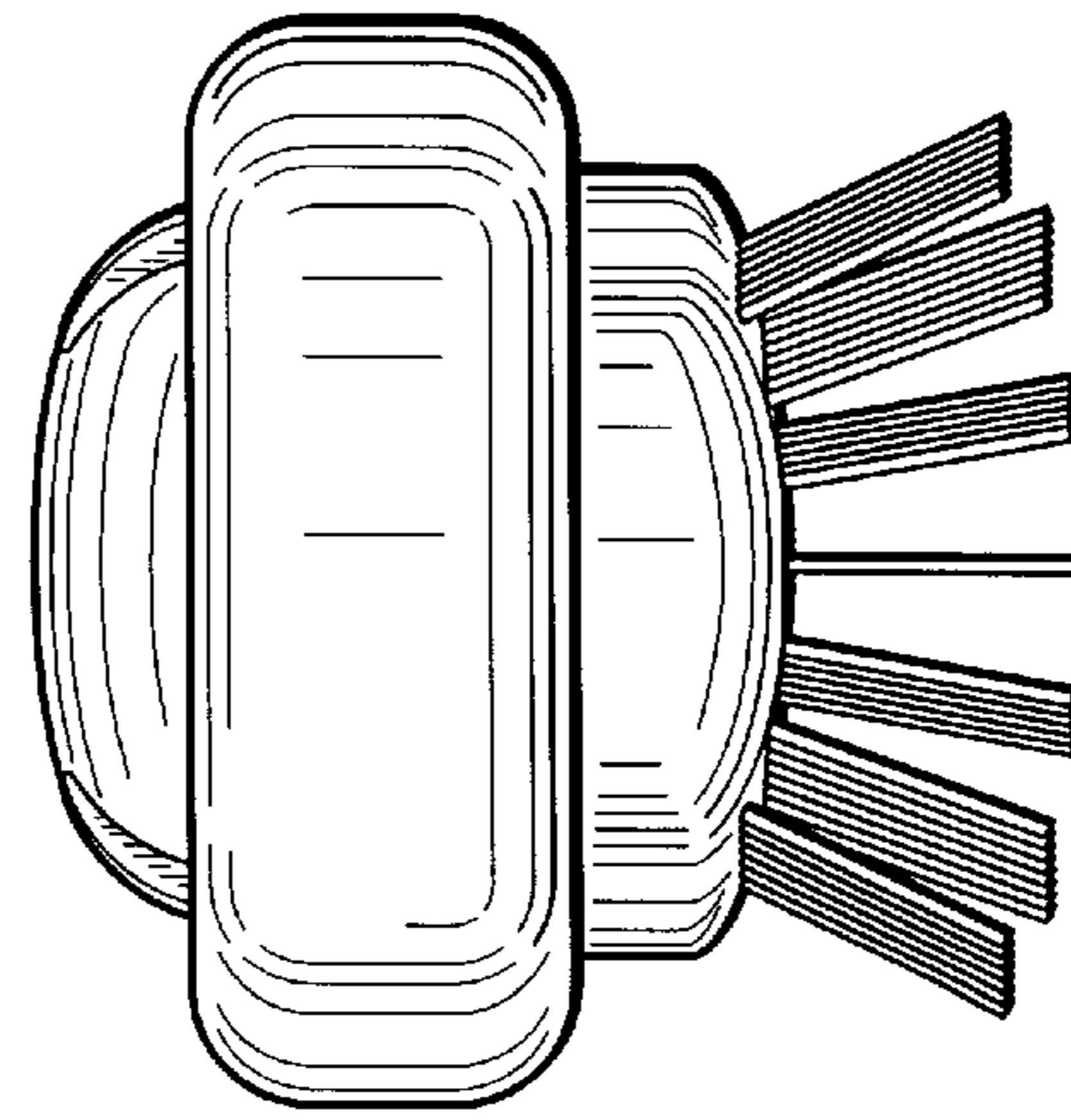


FIG. 3

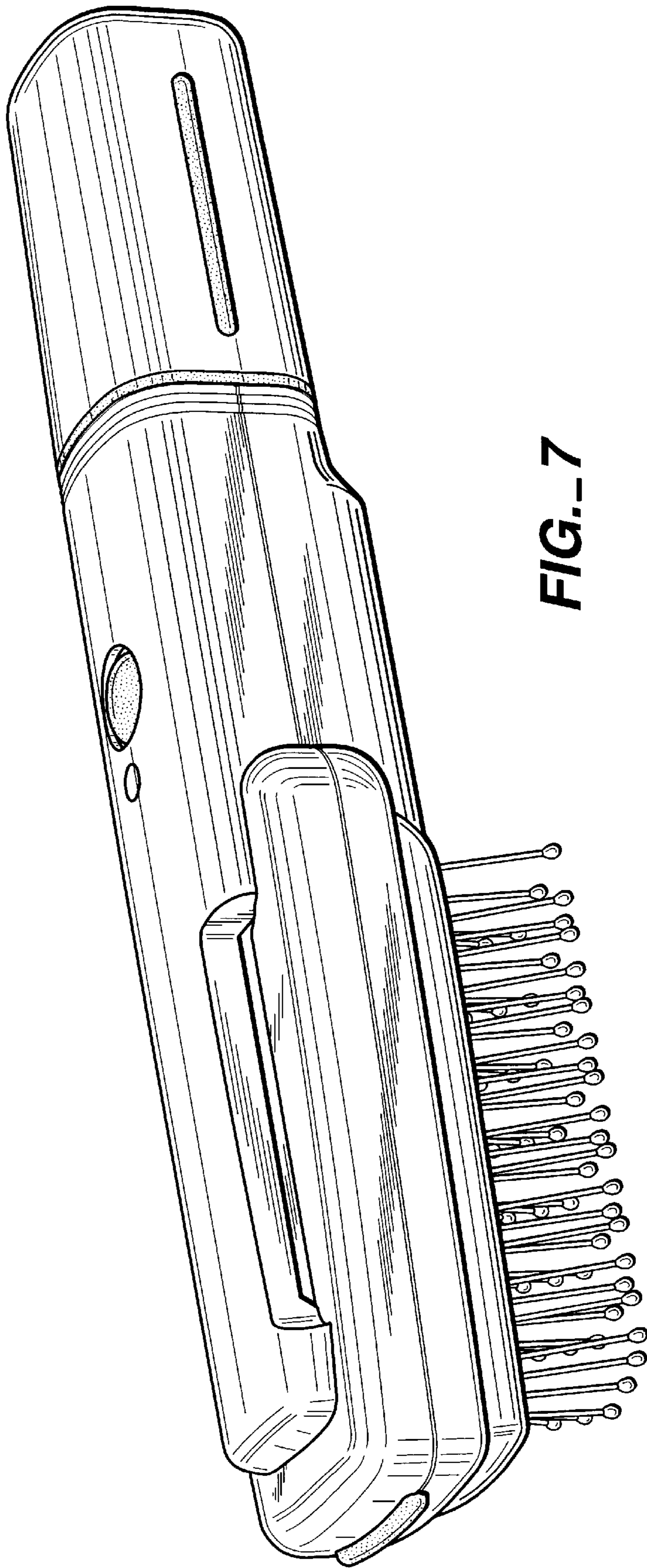


FIG. 7

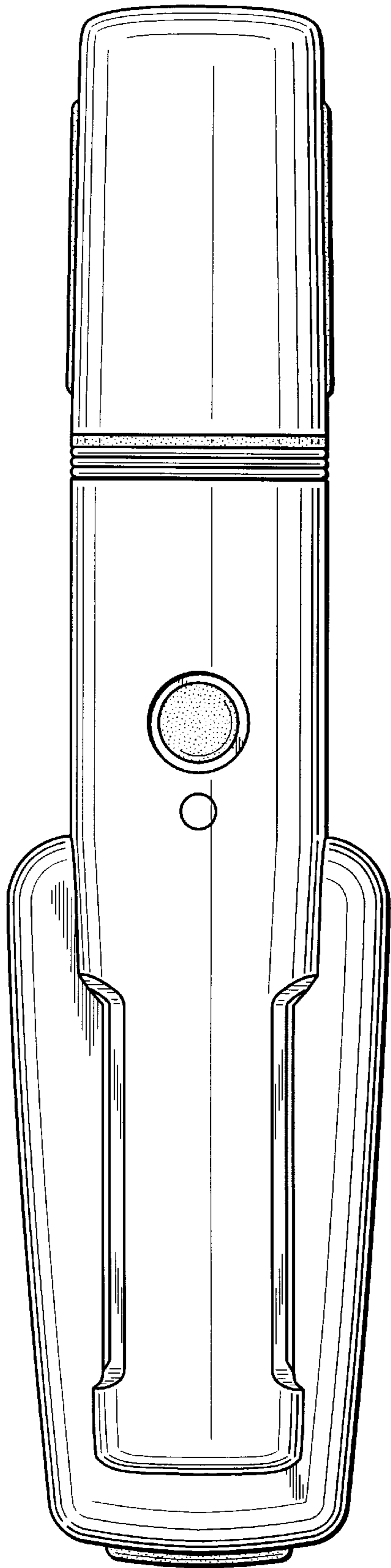


FIG. 8

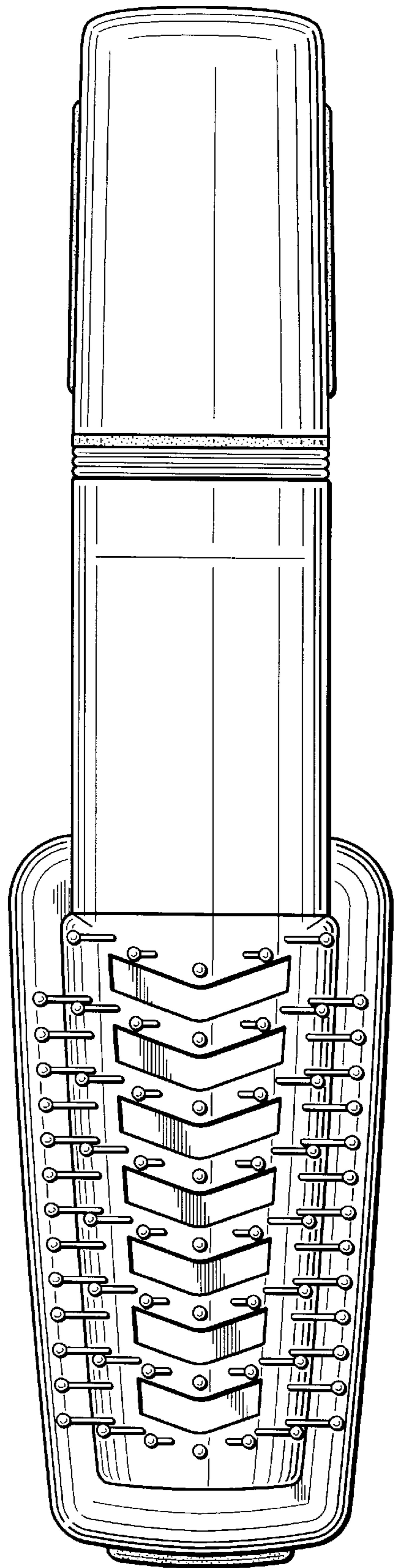


FIG. 10

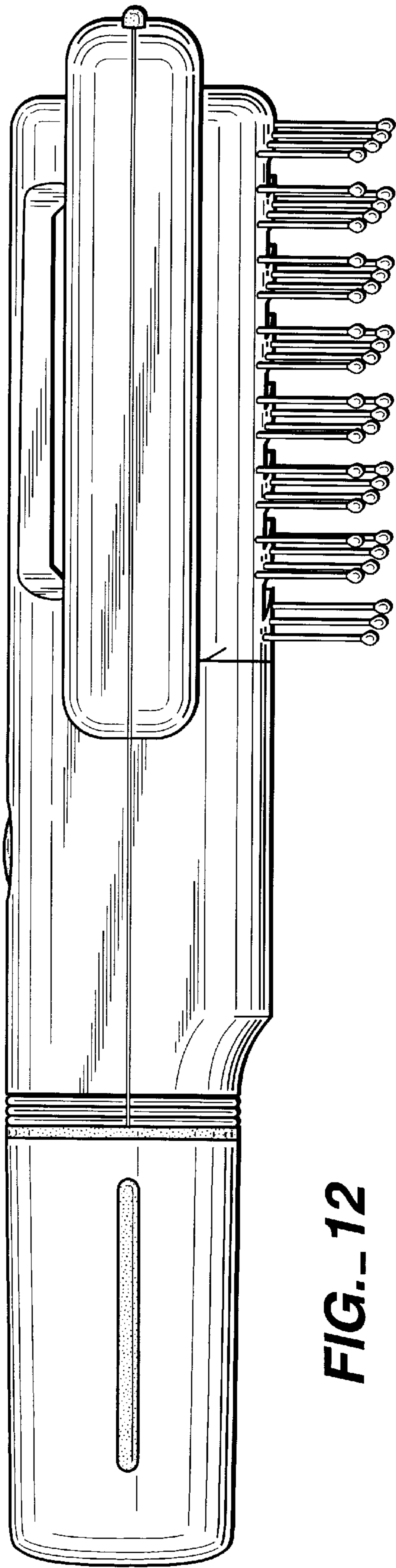


FIG. 12

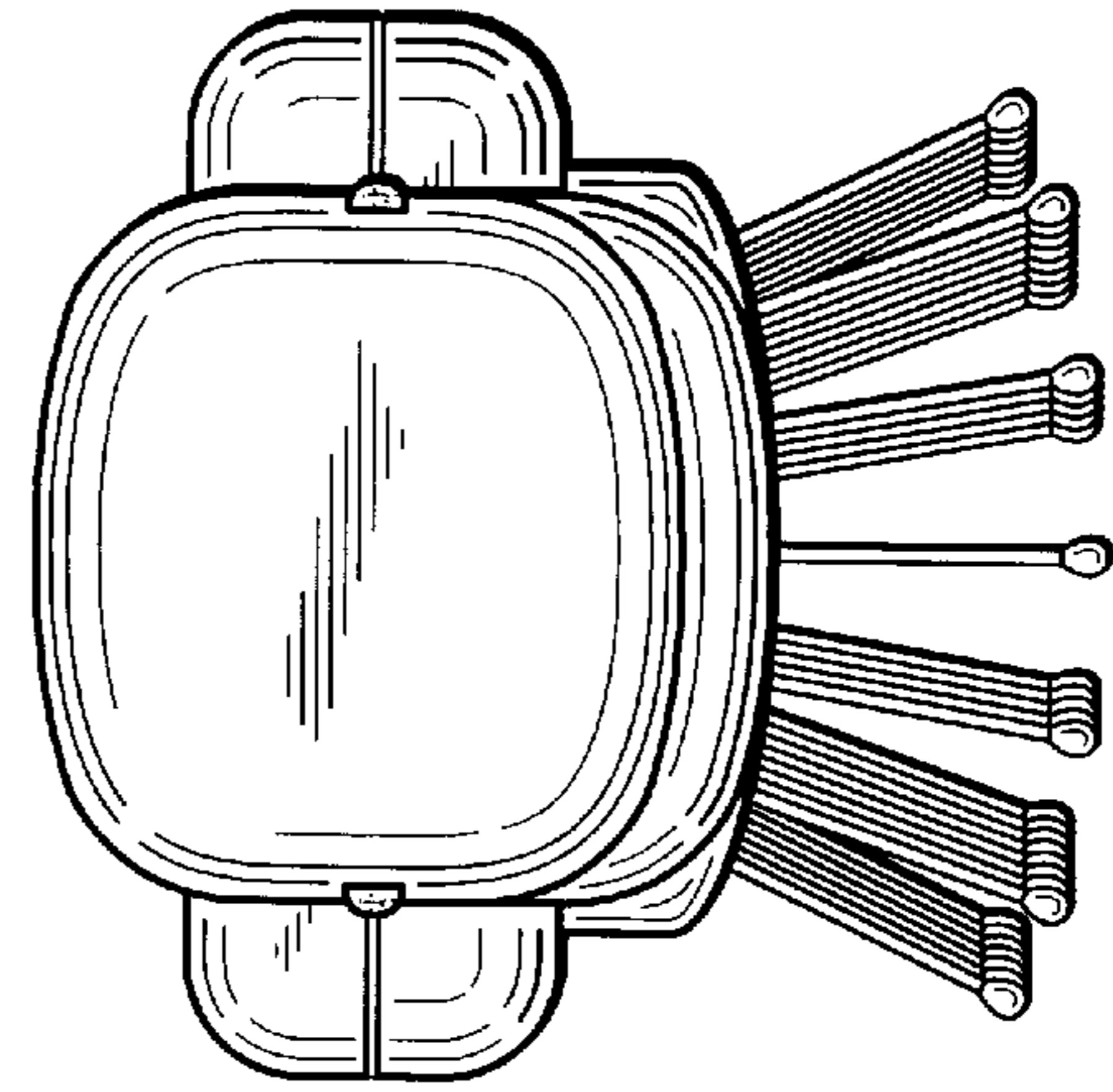


FIG. 11

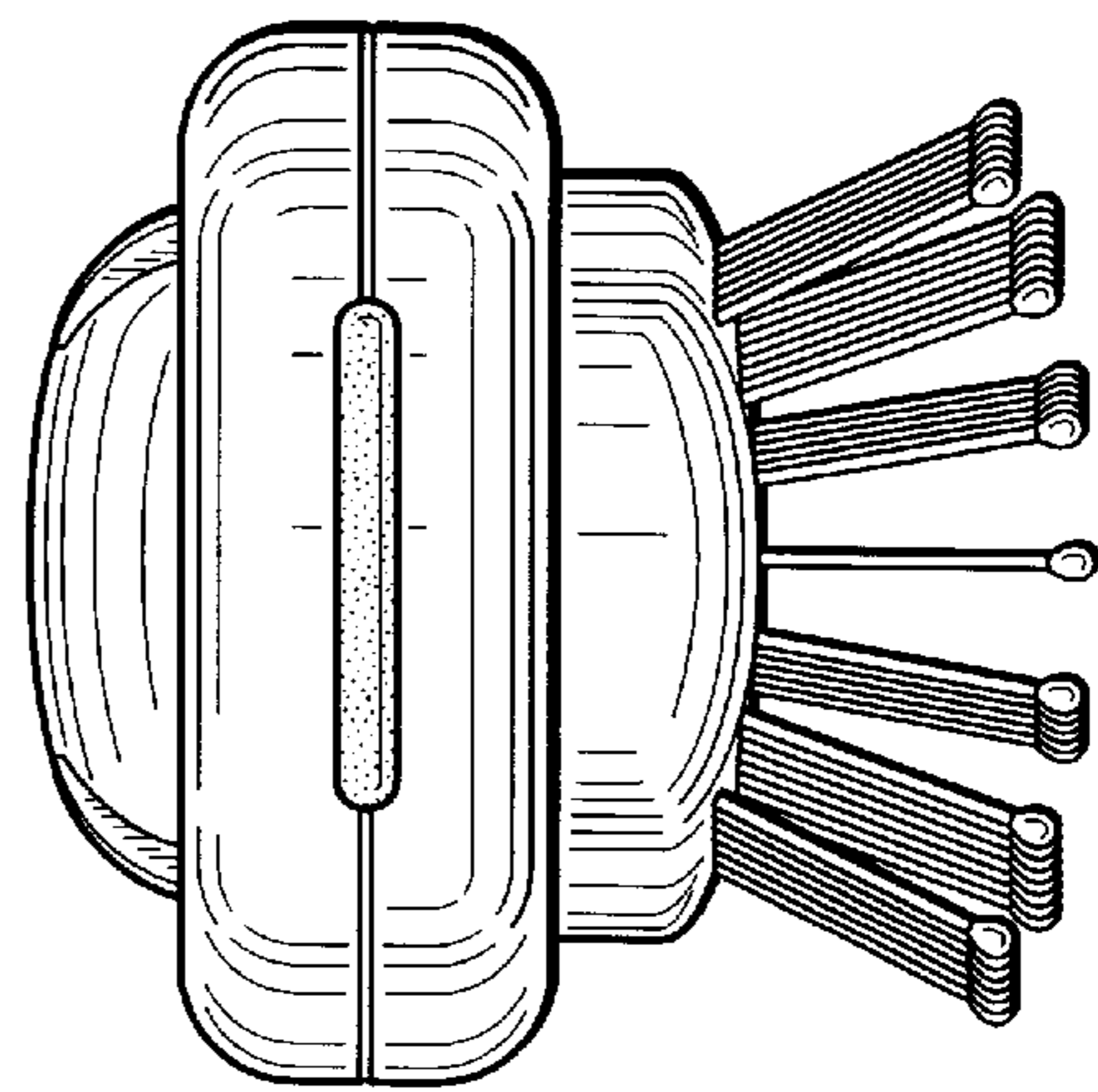


FIG. 9