



US00D409381S

United States Patent [19]
Cleveland et al.

[11] **Patent Number: Des. 409,381**

[45] **Date of Patent: ** May 11, 1999**

[54] **COMPONENTS OF A TOOL BELT FOR USE WHEN CAULKING**

[76] Inventors: **Kenneth D. Cleveland**, 1304 Austin, La Marque, Tex. 77568; **Mark Weitekamp**, 2800 Sugar Wood, League City, Tex. 77573

[**] Term: **14 Years**

[21] Appl. No.: **29/092,655**

[22] Filed: **Aug. 25, 1998**

Related U.S. Application Data

[63] Continuation-in-part of application No. 29/071,244, May 23, 1997.

[51] **LOC (6) Cl.** **03-01**

[52] **U.S. Cl.** **D3/228**

[58] **Field of Search** D3/215, 224, 226, D3/228; 224/901, 904, 236, 240, 245, 911, 912, 192, 193

[56] **References Cited**

U.S. PATENT DOCUMENTS

D. 254,757	4/1980	Rodstein	D3/228
D. 271,253	11/1983	Abatie	D3/228
D. 333,040	2/1993	Dancyger	D3/228
D. 333,215	2/1993	Brown	D3/228
D. 342,831	1/1994	Dise	D3/228
4,828,154	5/1989	Clifton, Jr.	224/192 X
4,917,281	4/1990	Ostermiller	224/901 X
4,953,767	9/1990	Bennett	224/192

Primary Examiner—Louis S. Zarfes
Assistant Examiner—Catherine R. Oliver
Attorney, Agent, or Firm—Dann, Dorfman, Herrell and Skillman; Henry H. Skillman

[57] **CLAIM**

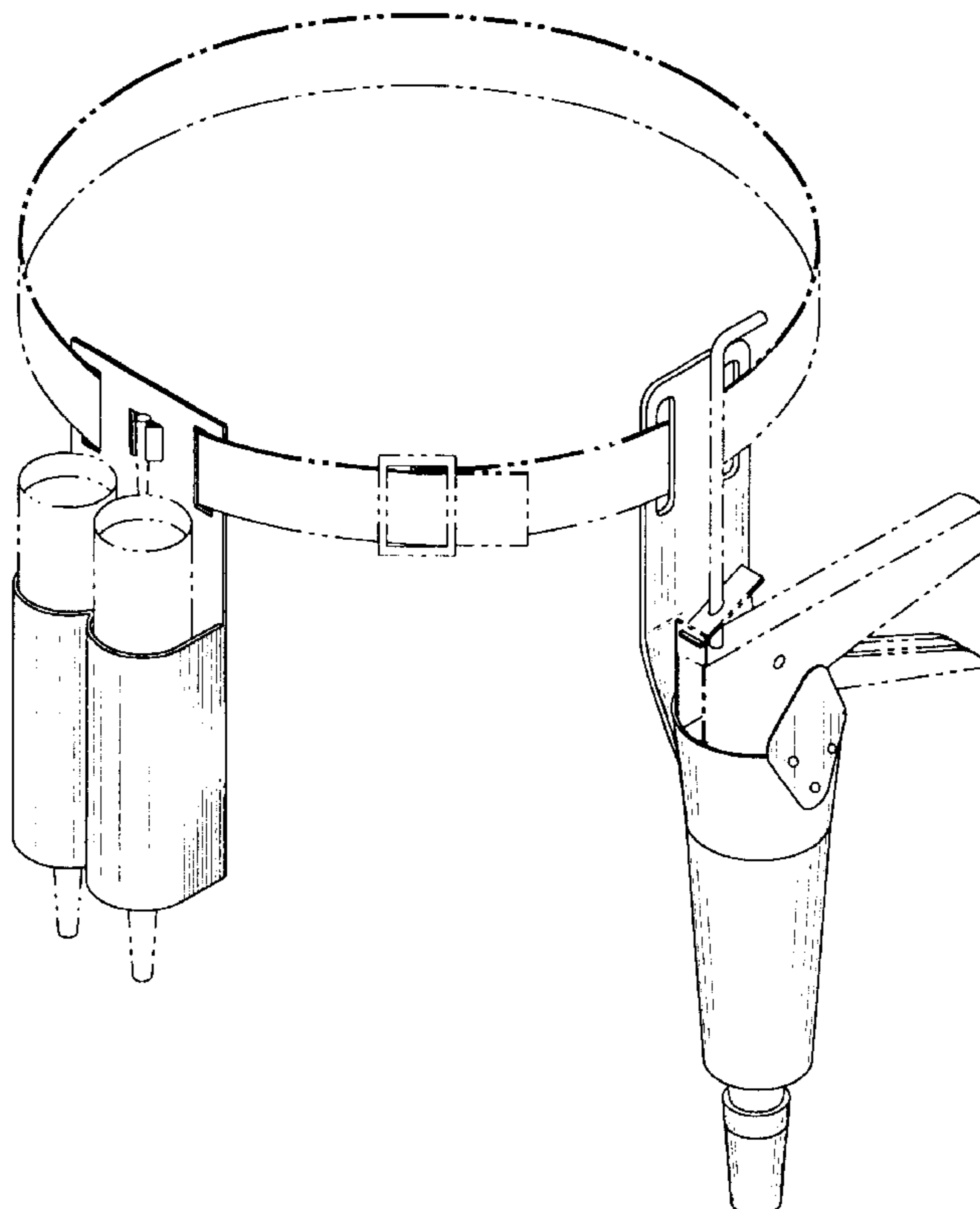
The ornamental design for components of a tool belt for use when caulking, as shown and described.

DESCRIPTION

FIG. 1 is a perspective view of the components of a tool belt for use when caulking showing our new design; FIG. 2 is a front elevational view thereof; FIG. 3 is a rear elevational view thereof; FIG. 4 is a top plan view thereof; FIG. 5 is a bottom plan view thereof; FIG. 6 is a left side elevational view thereof; FIG. 7 is a right side elevational view thereof; FIG. 8 is a perspective view thereof; FIG. 9 is a front elevational view of the cartridge holder component; FIG. 10 is a rear elevational view thereof; FIG. 11 is a left side elevational view, the right side elevational view being a mirror image thereof; FIG. 12 is a top plan view thereof; FIG. 13 is a bottom plan view thereof; and, FIG. 14 is a perspective view.

The broken line showing of environment in FIG. 1 is for illustrative purposes only and forms no part of the claimed design.

1 Claim, 6 Drawing Sheets



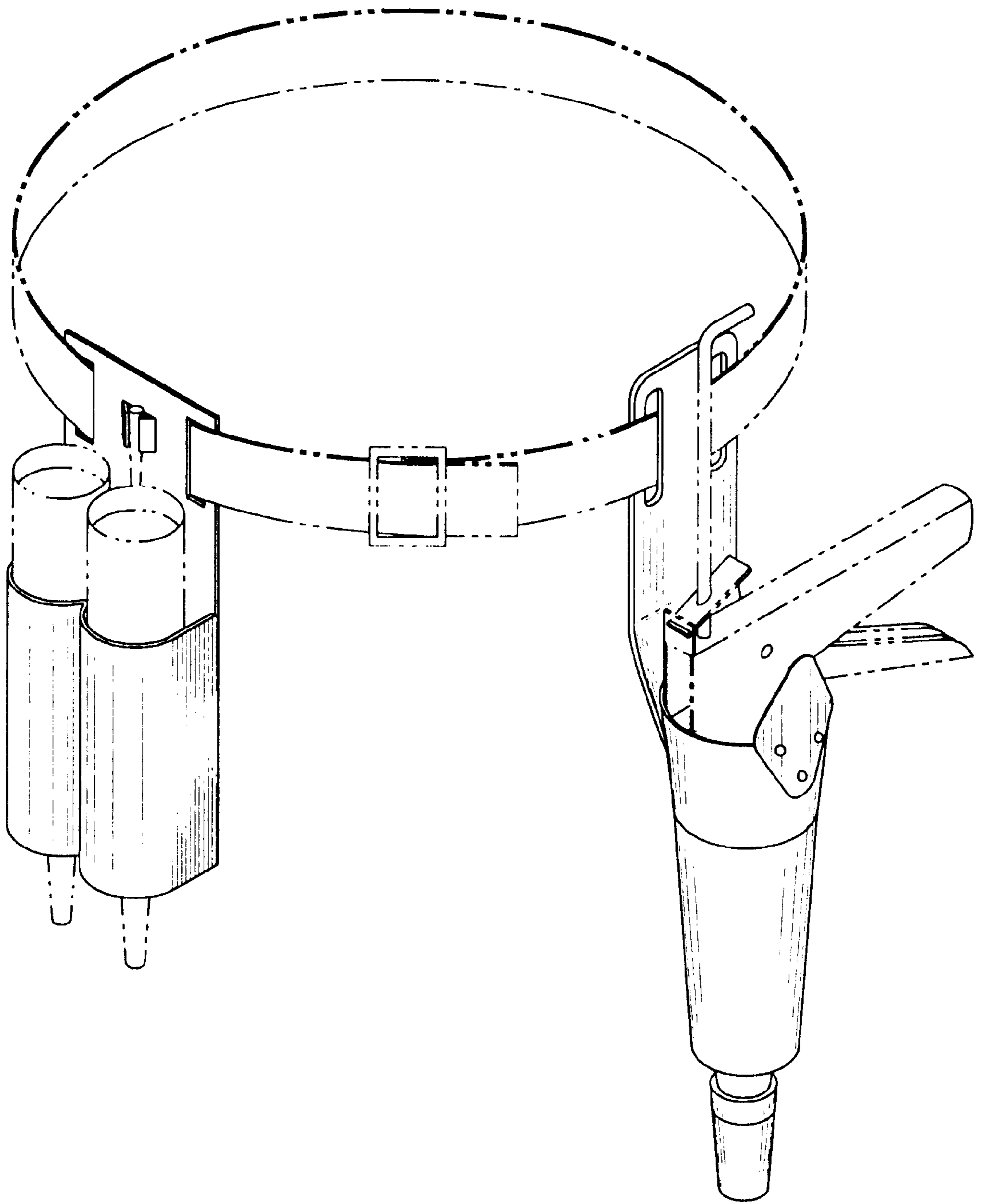


FIG. 1

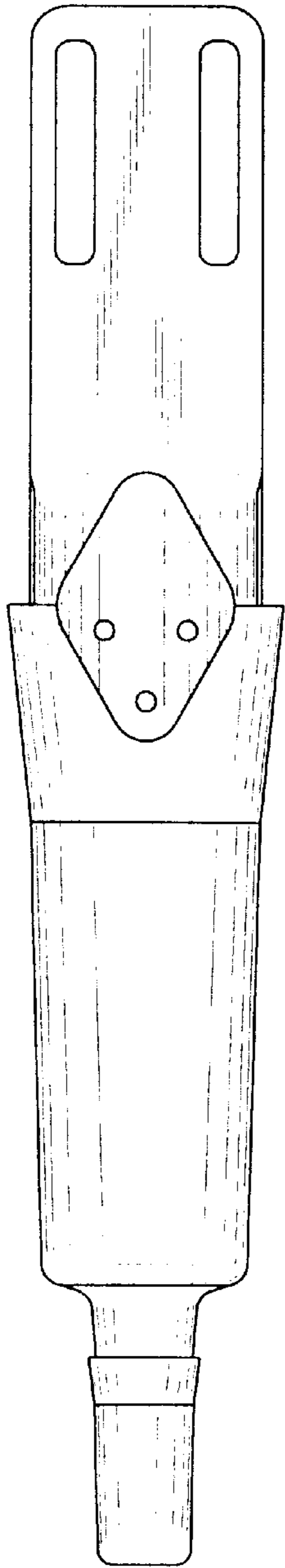


FIG. 2

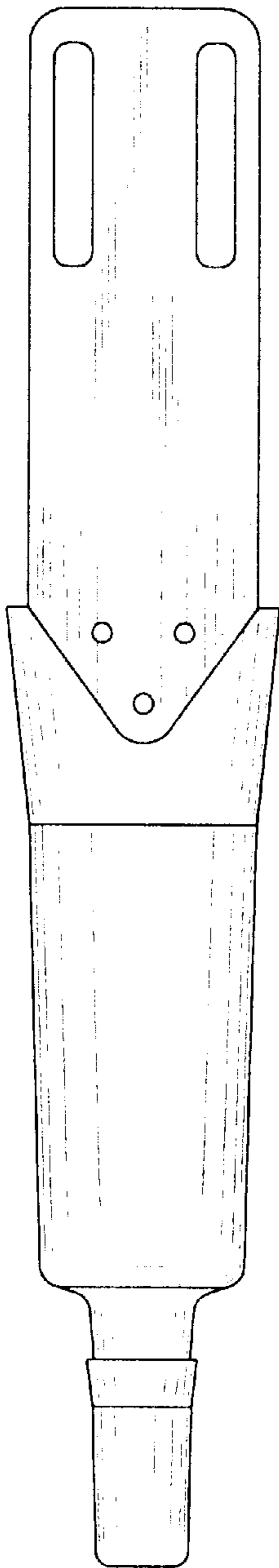


FIG. 3

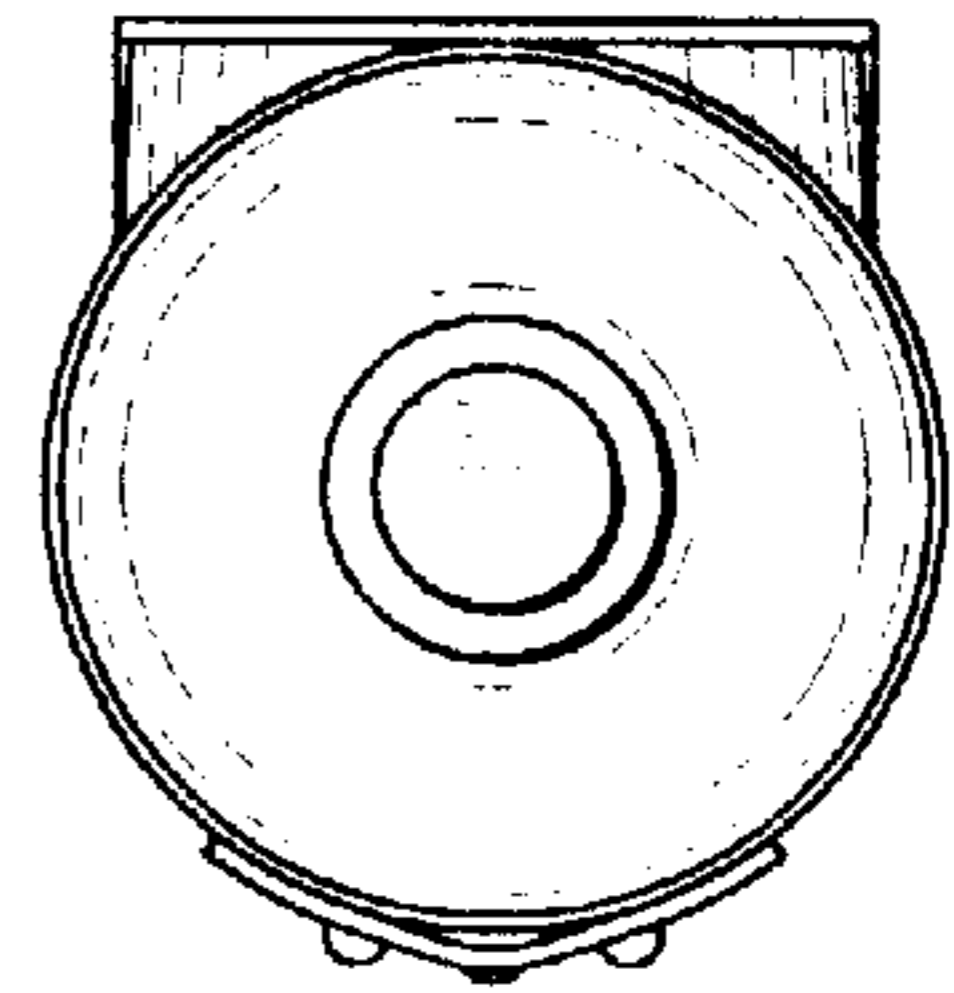


FIG. 4

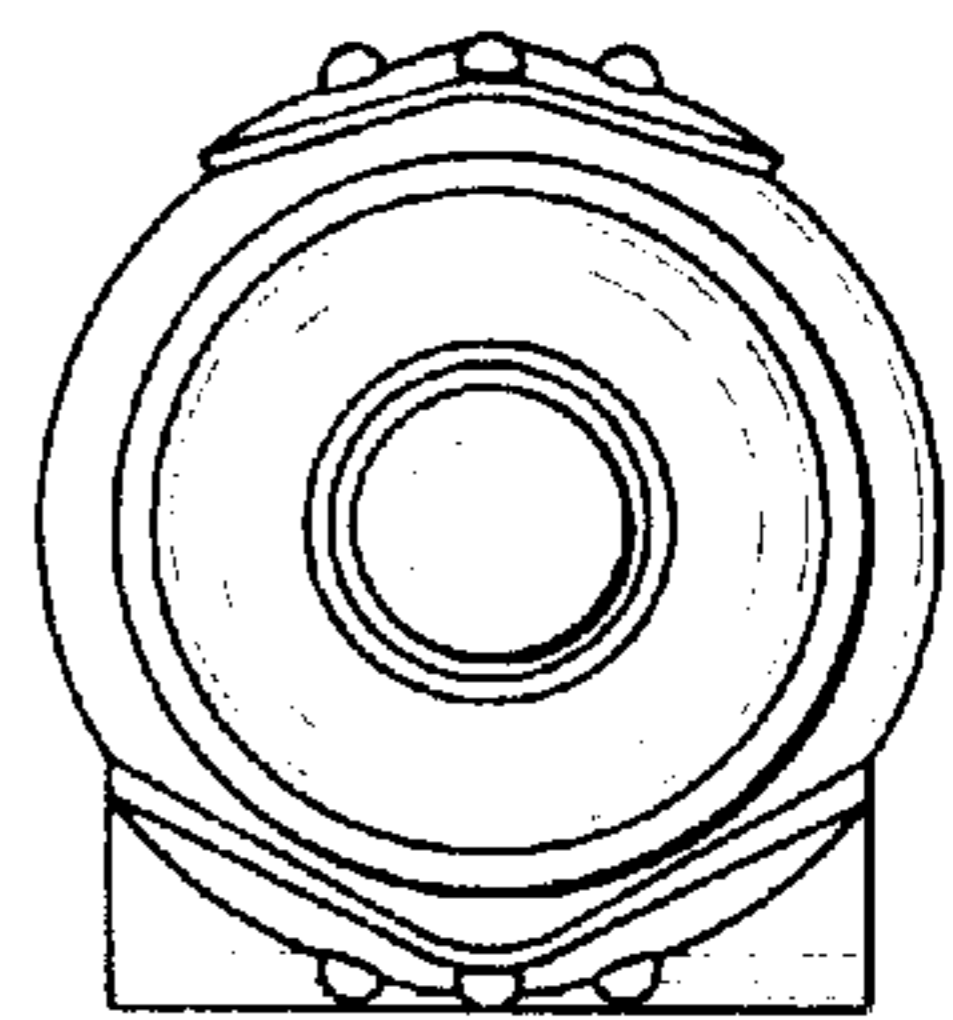


FIG. 5

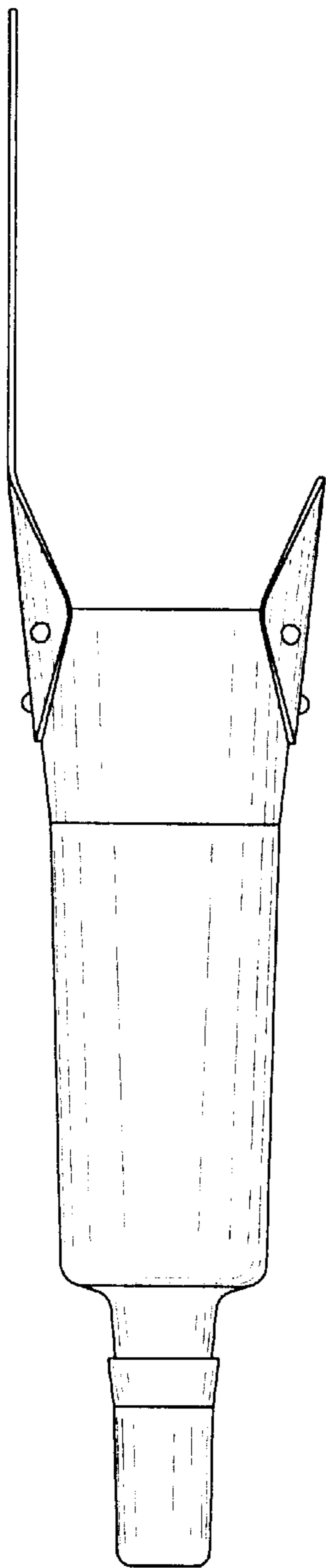


FIG. 6

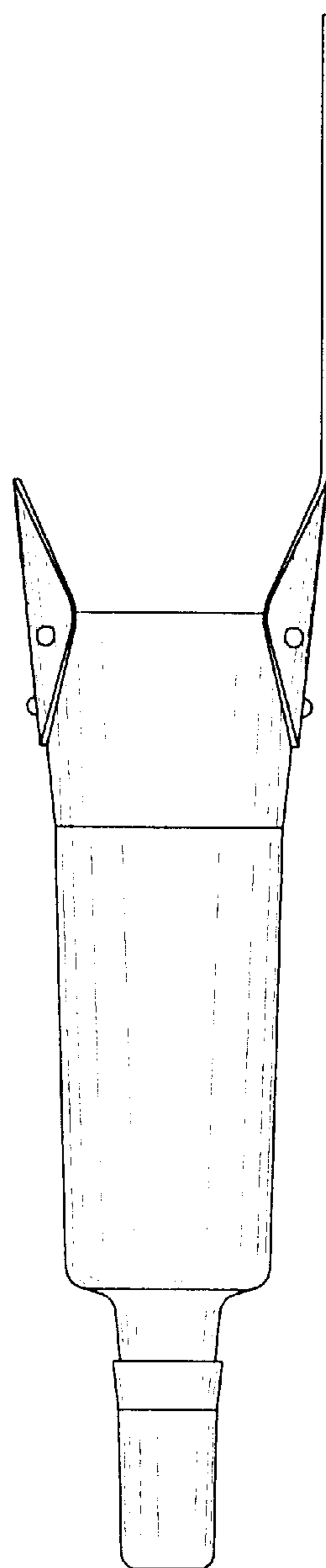


FIG. 7

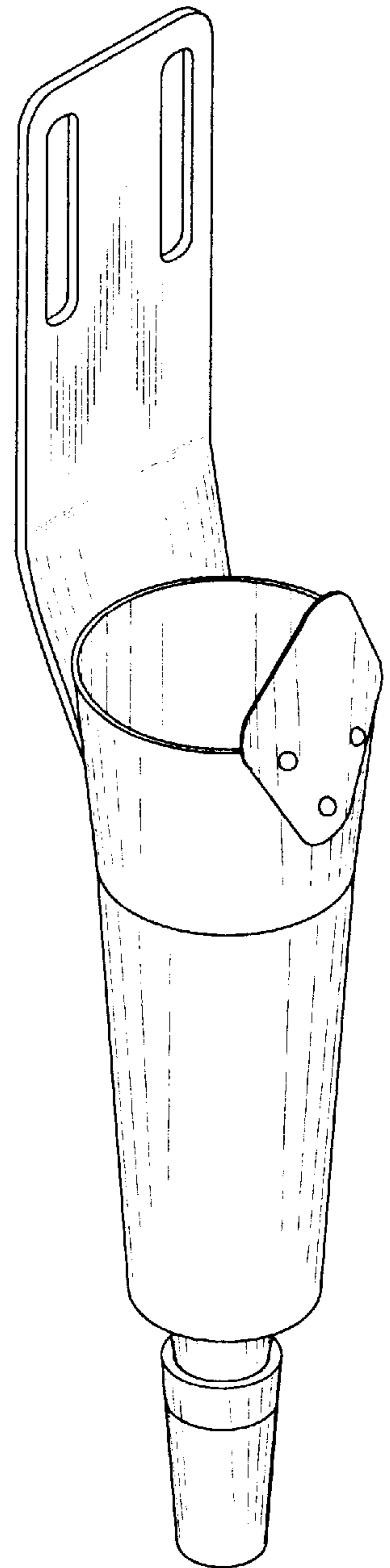


FIG. 8

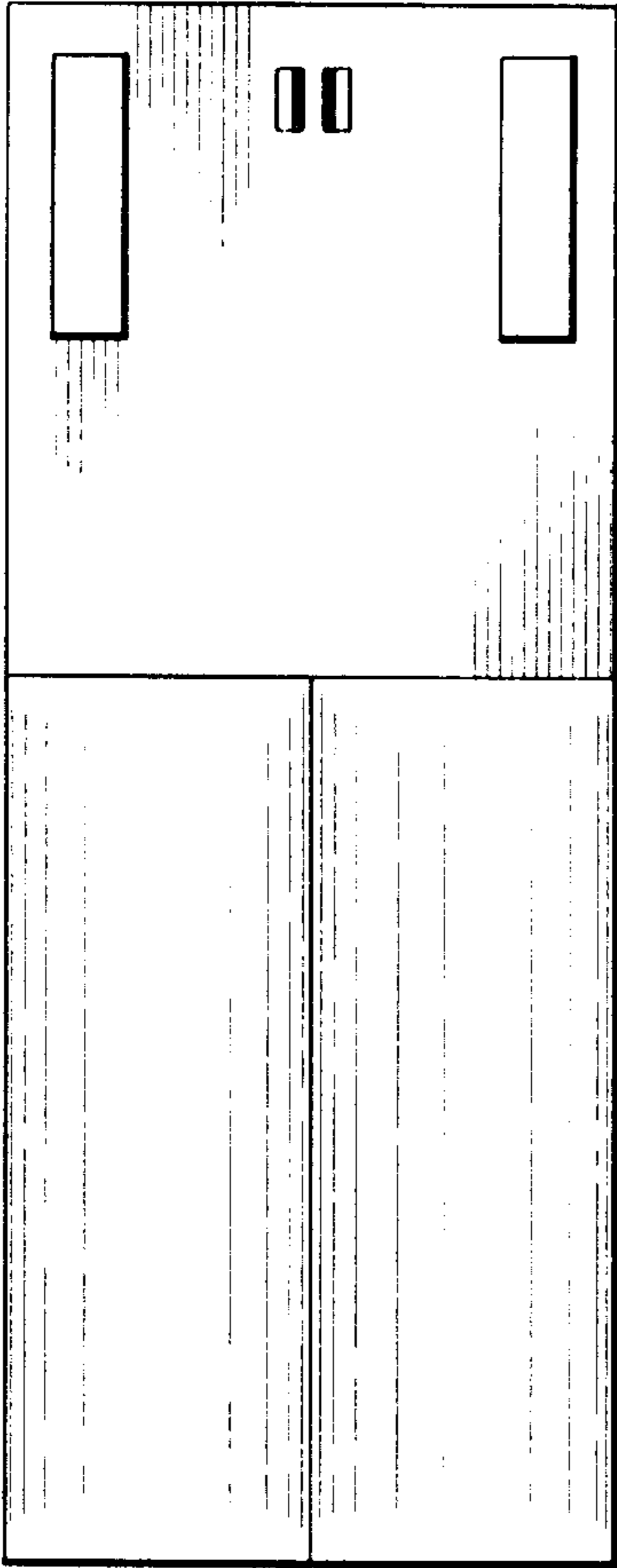


FIG. 9

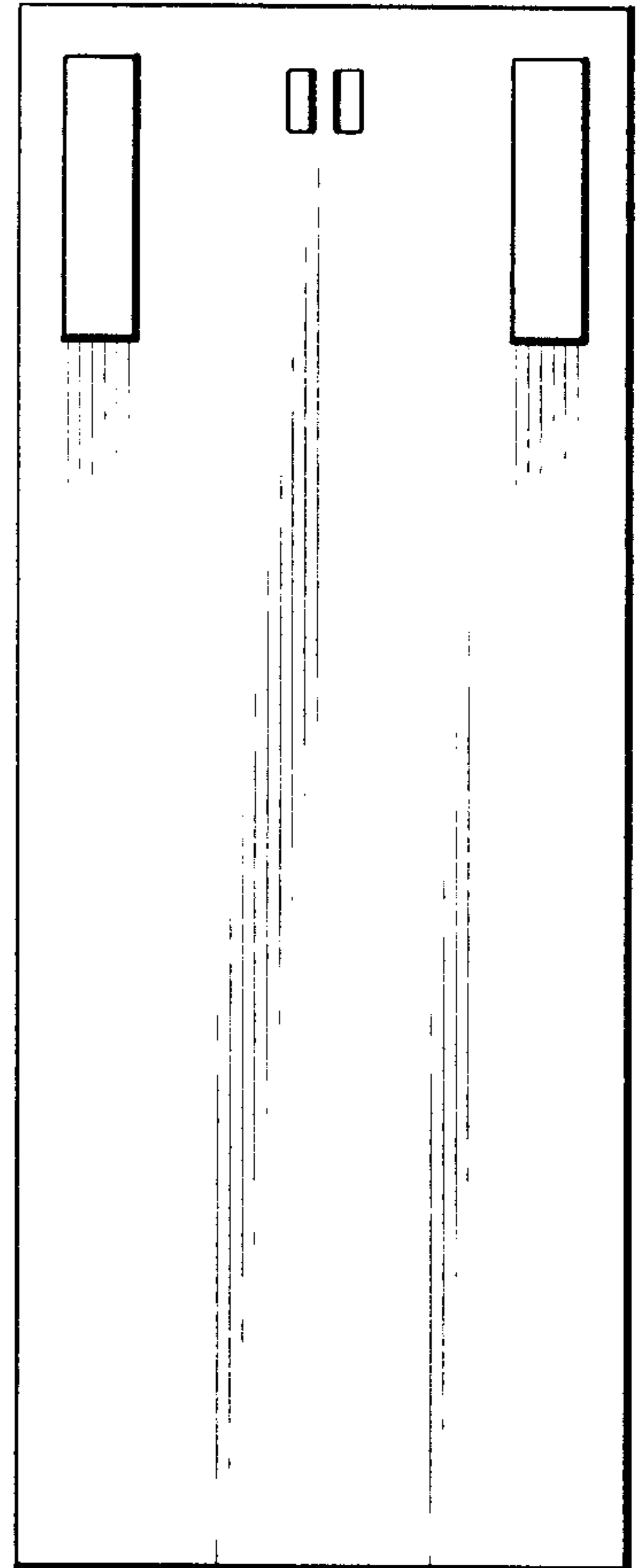


FIG. 10

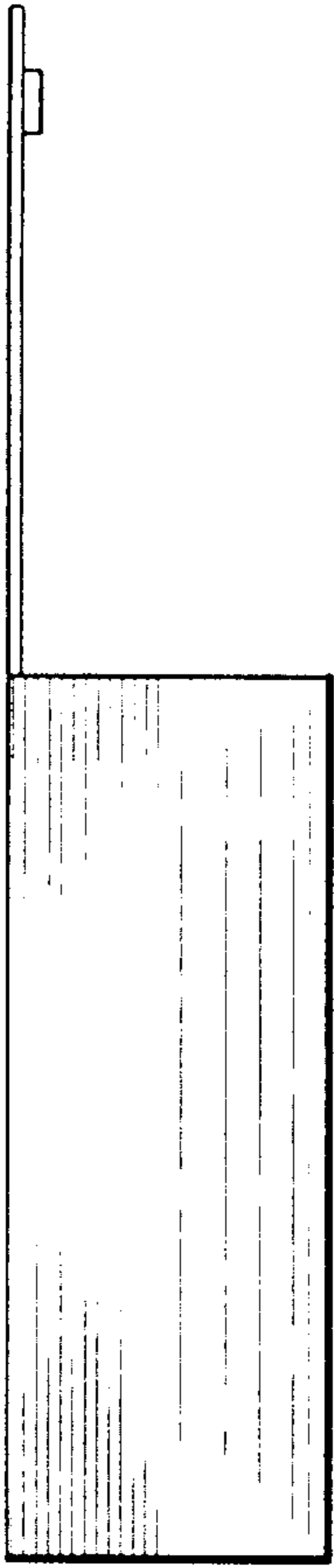


FIG. 11

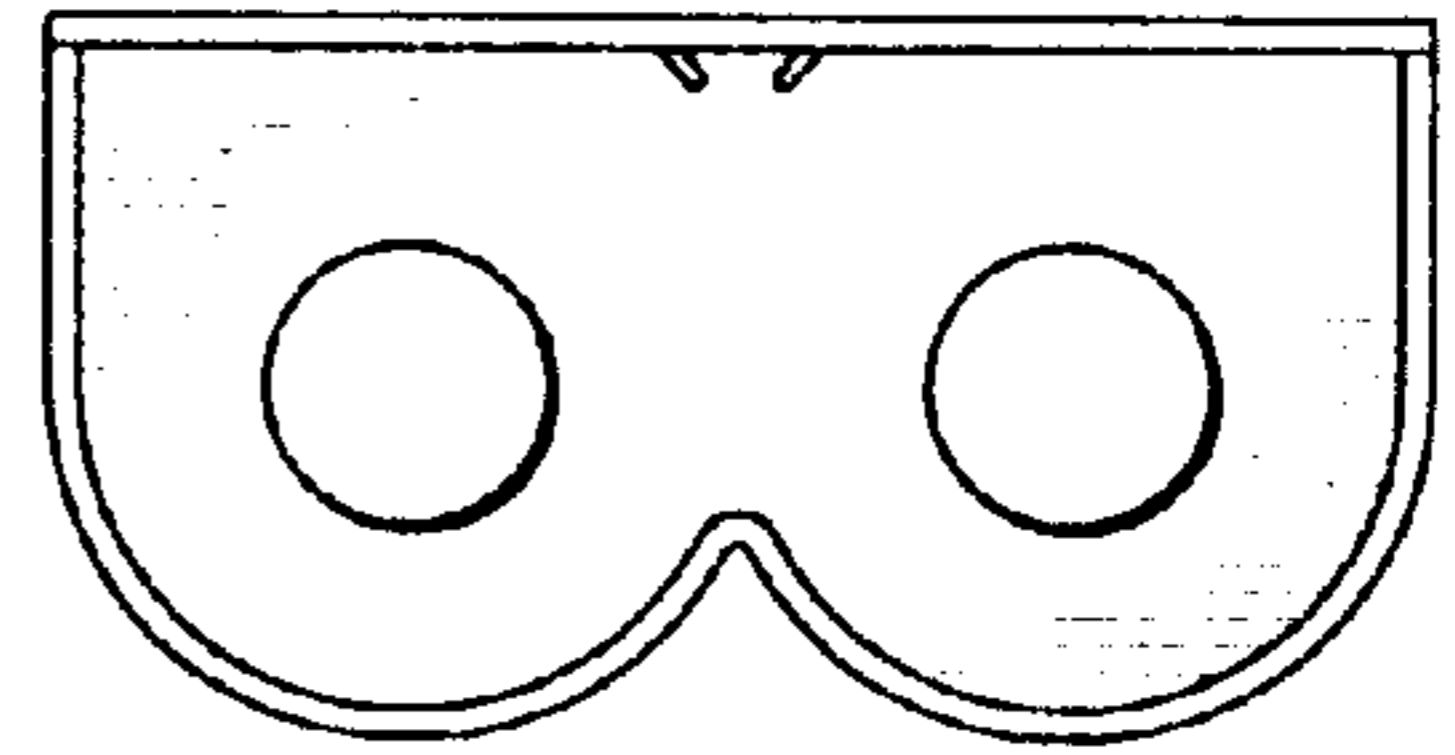


FIG. 12

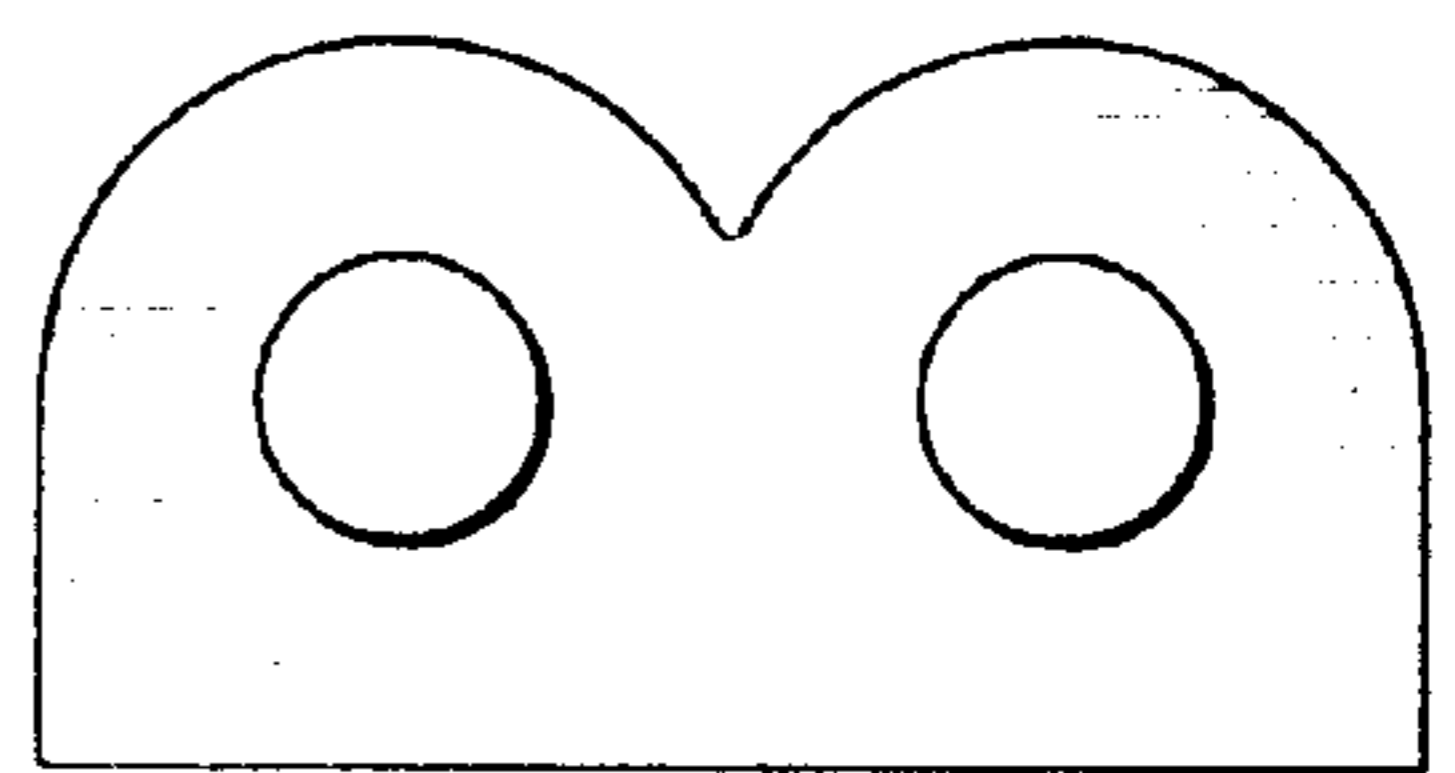


FIG. 13

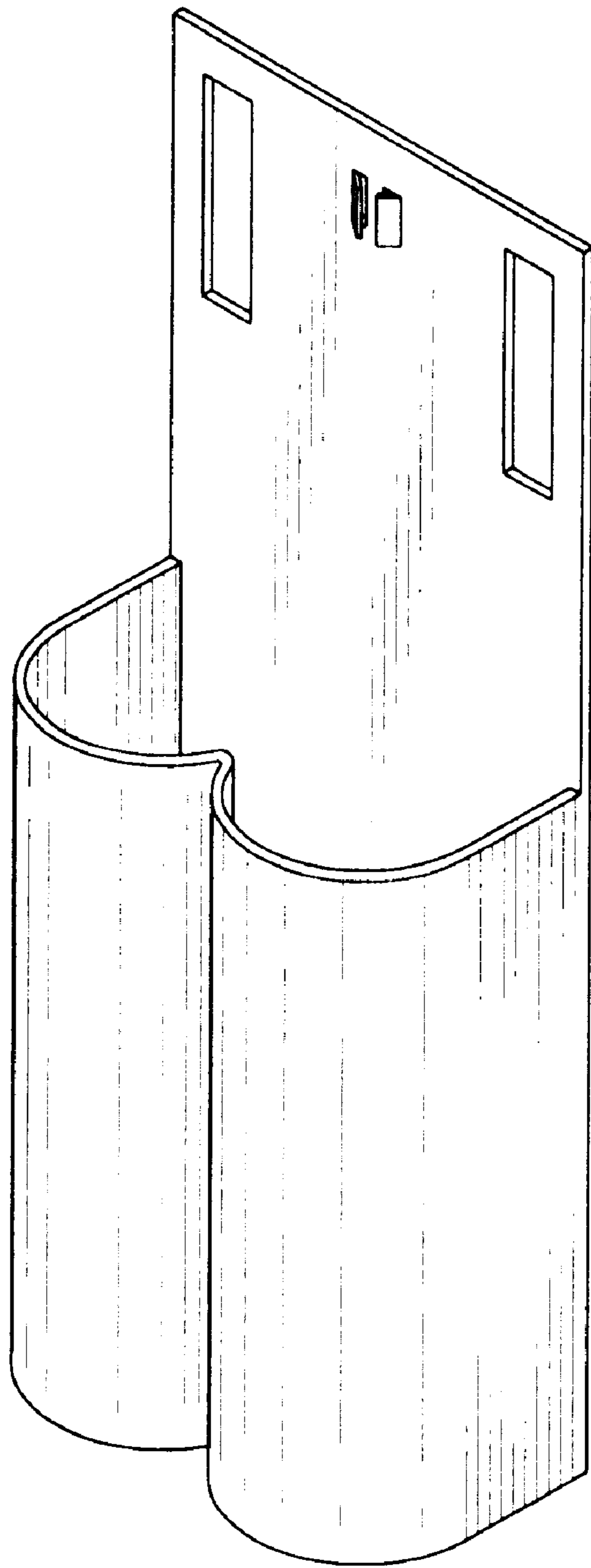


FIG. 14