



US00D409380S

United States Patent [19]

[11] **Patent Number: Des. 409,380**

Angus et al.

[45] **Date of Patent: ** May 11, 1999**

[54] **ARTICLE POUCH**

[57] **CLAIM**

[76] Inventors: **June Angus; Keith Willows**, both of
1823 12th Ave. West, Seattle, Wash.
98119

The ornamental design for an "article pouch", as shown and described.

[**] Term: **14 Years**

DESCRIPTION

[21] Appl. No.: **29/082,838**

FIG. 1 is a front elevational view of an article pouch showing our new design, with the flap shown in a closed position.

[22] Filed: **Jan. 28, 1998**

FIG. 2 is a right side elevational view, with the flap shown in a closed position and with the left side elevational view being a mirror image thereof;

[51] **LOC (6) Cl. 03-01**

FIG. 3 is a rear elevational view;

[52] **U.S. Cl. D3/226**

FIG. 4 is a top plan view, with the flap shown in closed position;

[58] **Field of Search** D3/215, 224, 226,
D3/243, 247, 248, 251, 253, 303; 383/907;
224/901, 904, 236, 240, 245, 660

FIG. 5 is a bottom plan view, with the flap shown in a closed position;

[56] **References Cited**

FIG. 6 is a front elevational view, with the flap shown in an open position;

U.S. PATENT DOCUMENTS

D. 232,135	7/1974	Dodson	224/240	X
D. 238,629	2/1976	Tibbetts	224/240	X
D. 352,166	11/1994	Caligiuri	D3/243	
2,020,797	11/1935	Pabst, Jr.	D3/247	
2,578,390	12/1951	Bastow	D3/251	

FIG. 7 is a top plan view, with the flap shown in an open position;

FIG. 8 is a bottom plan view, with the flap shown in an open position;

FIG. 9 is a right side elevational view, with the flap shown in an open position, and with the left side elevational view being a mirror image thereof; and,

FIG. 10 is a front elevational view, with the flap shown in a closed position and in a position of use. The broken line showing of a person in FIG. 10 is for illustrative purposes only and forms no part of the claimed design.

Primary Examiner—Louis S. Zarfaz
Assistant Examiner—Catherine R. Oliver

1 Claim, 6 Drawing Sheets

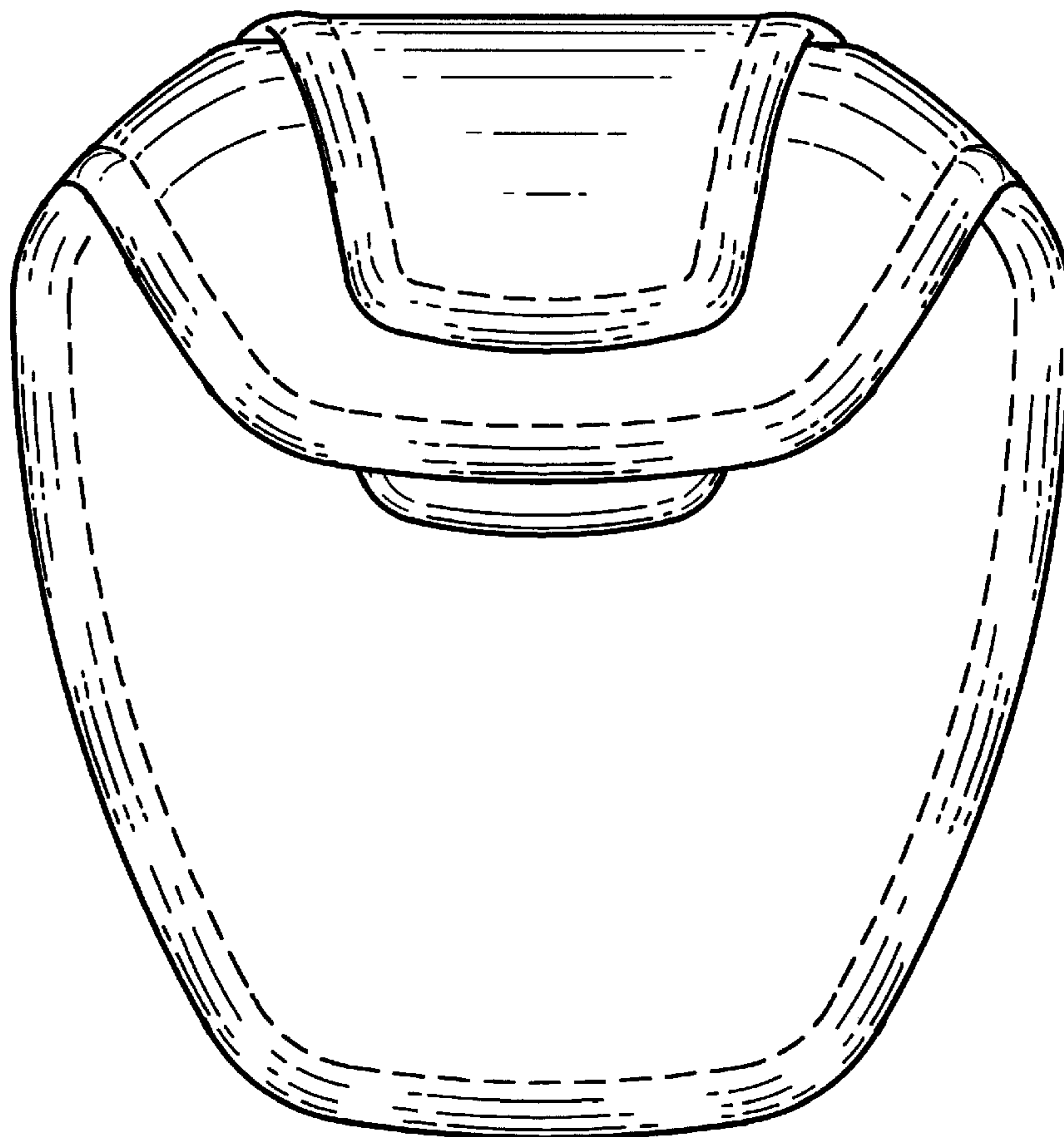


FIG. 1

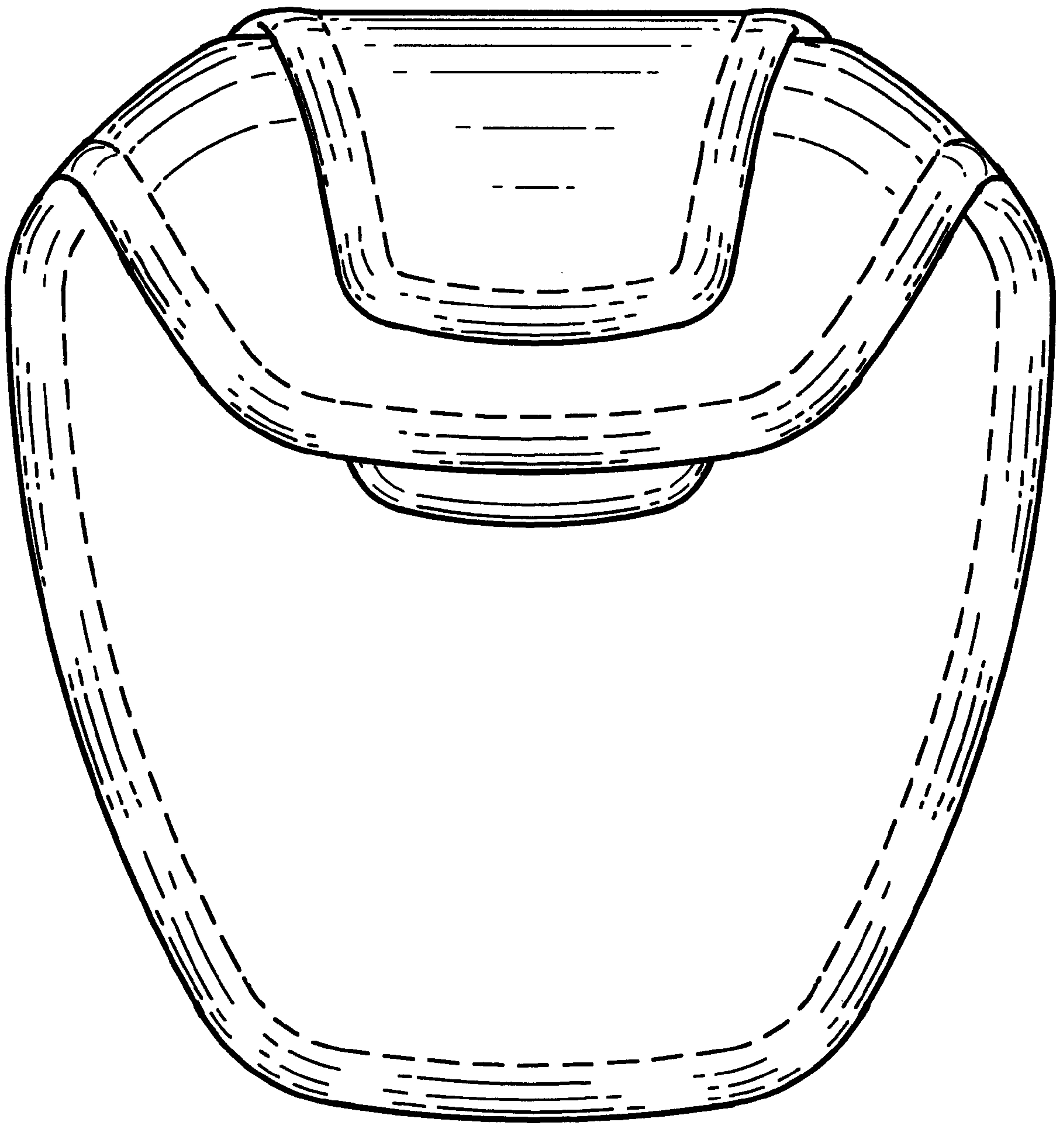


FIG. 2

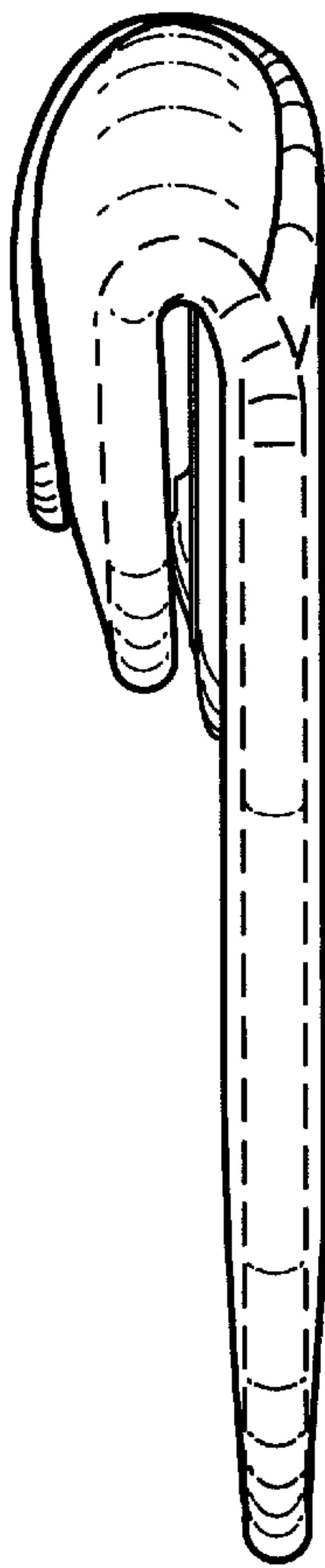


FIG. 3

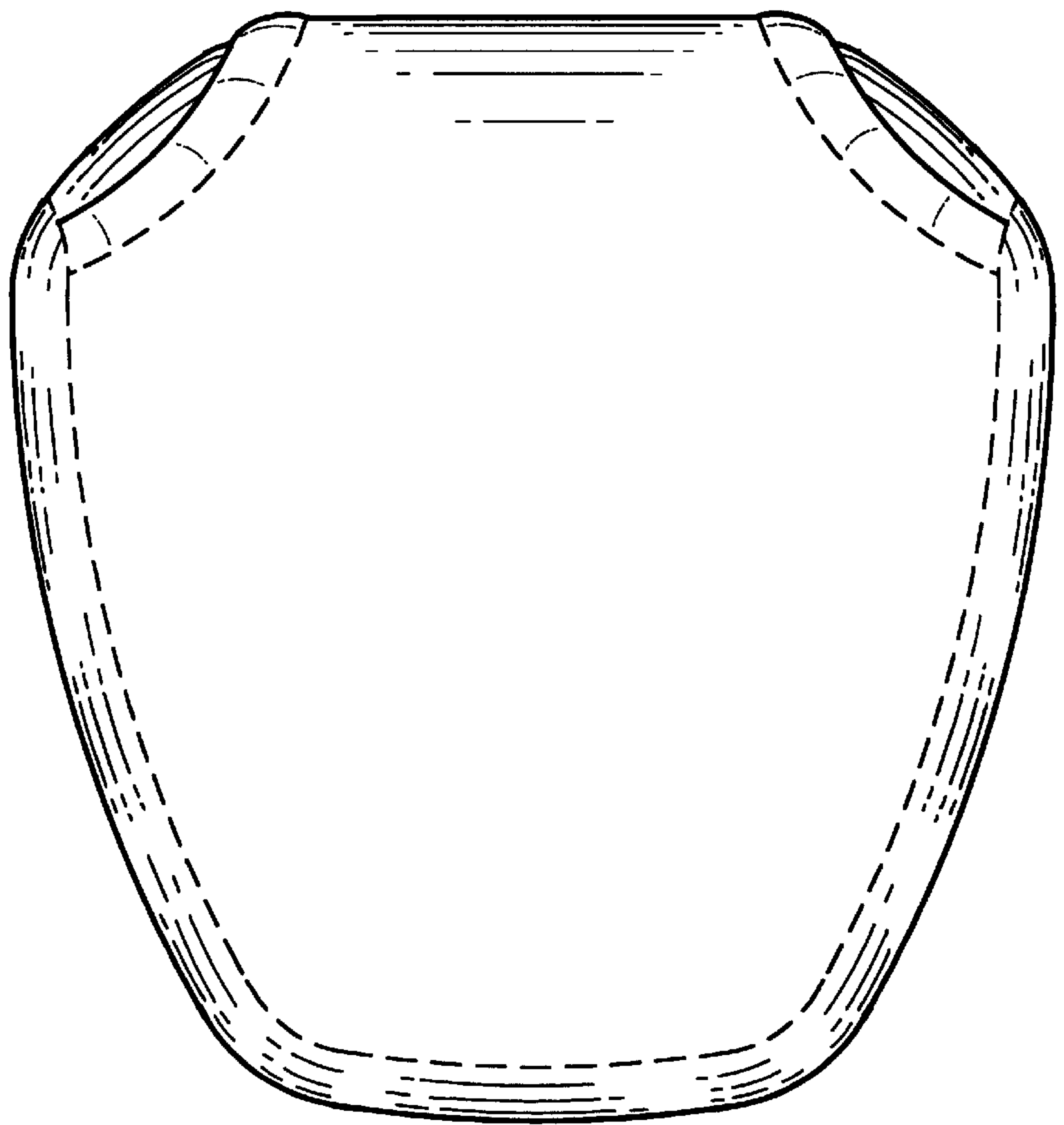


FIG. 4

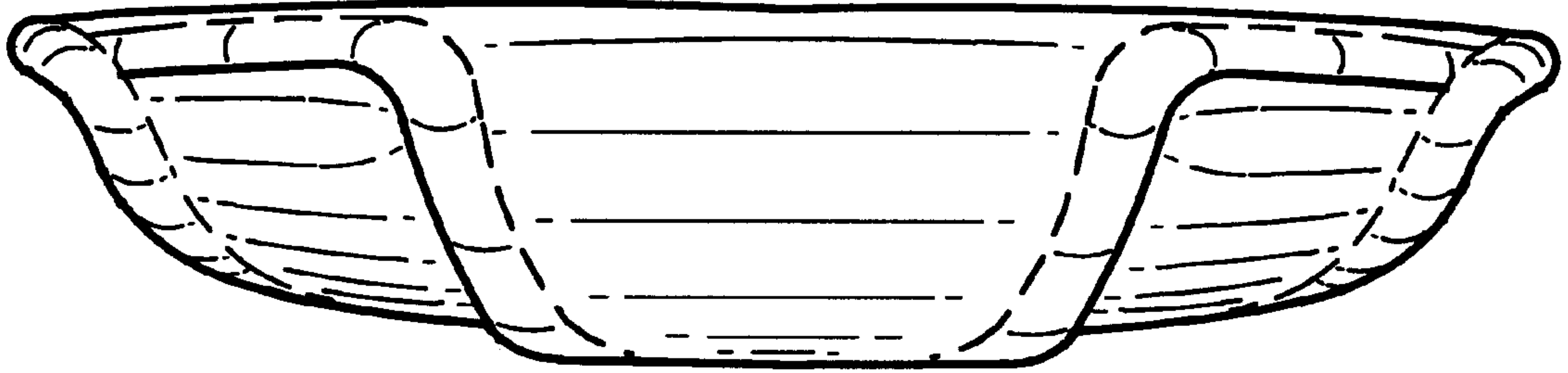


FIG. 5

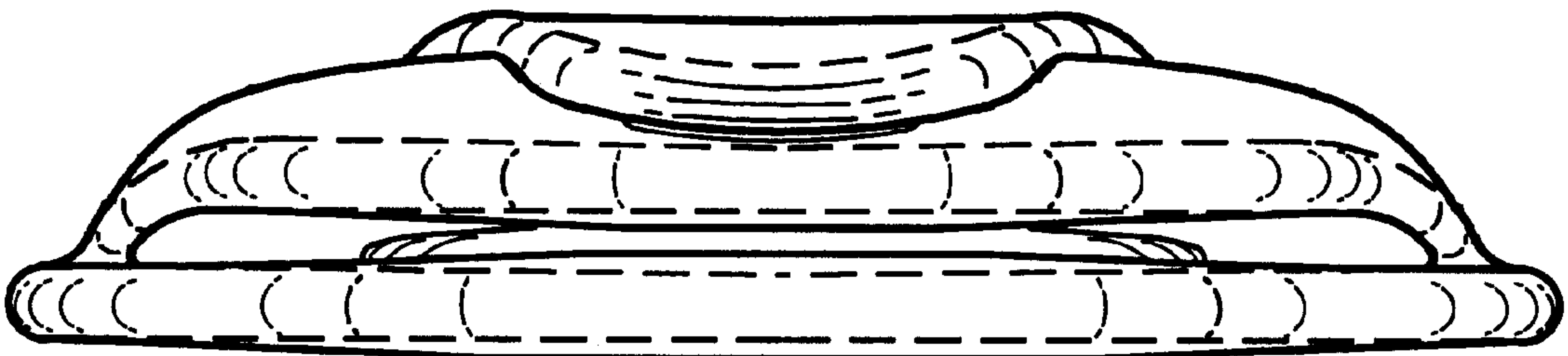


FIG. 7

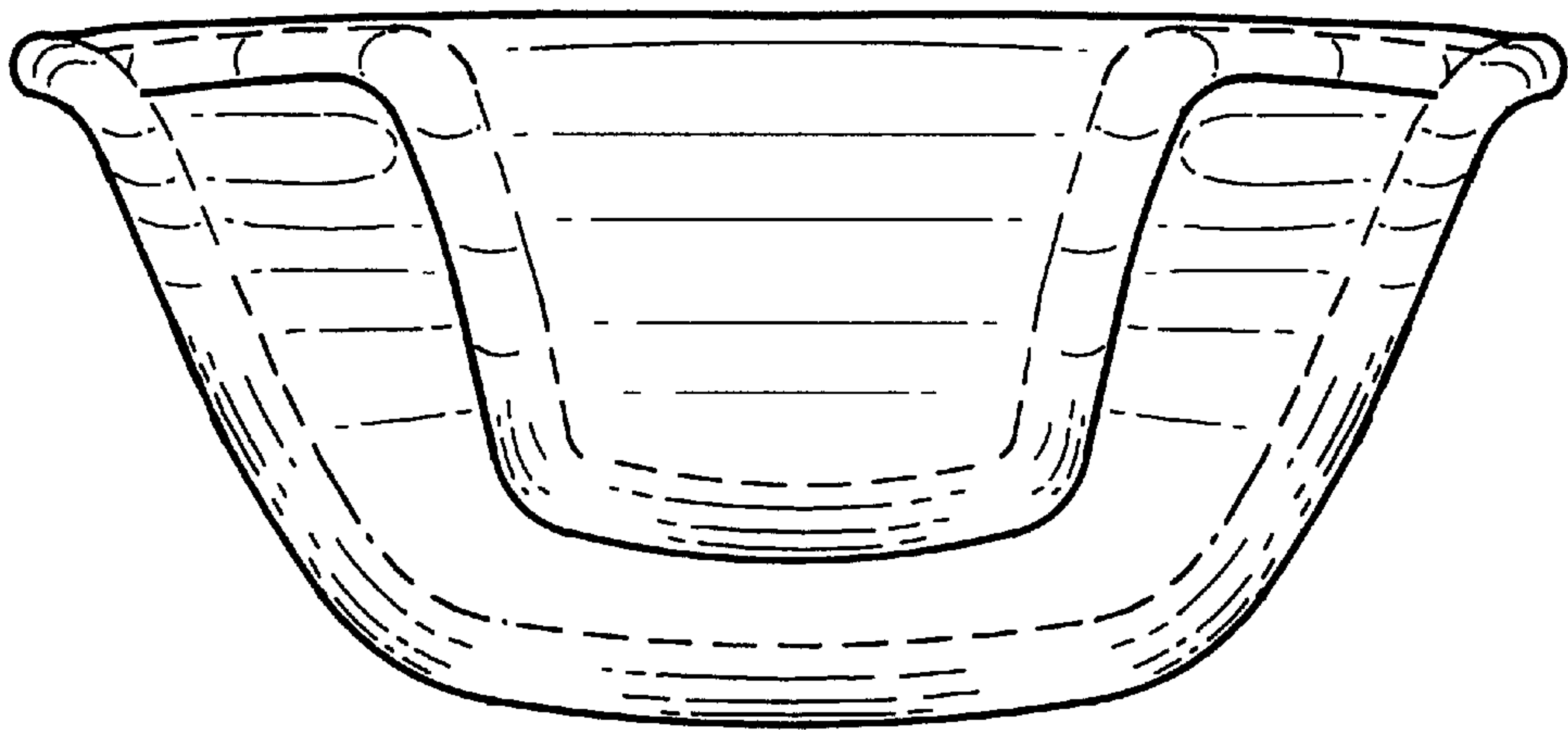


FIG. 6

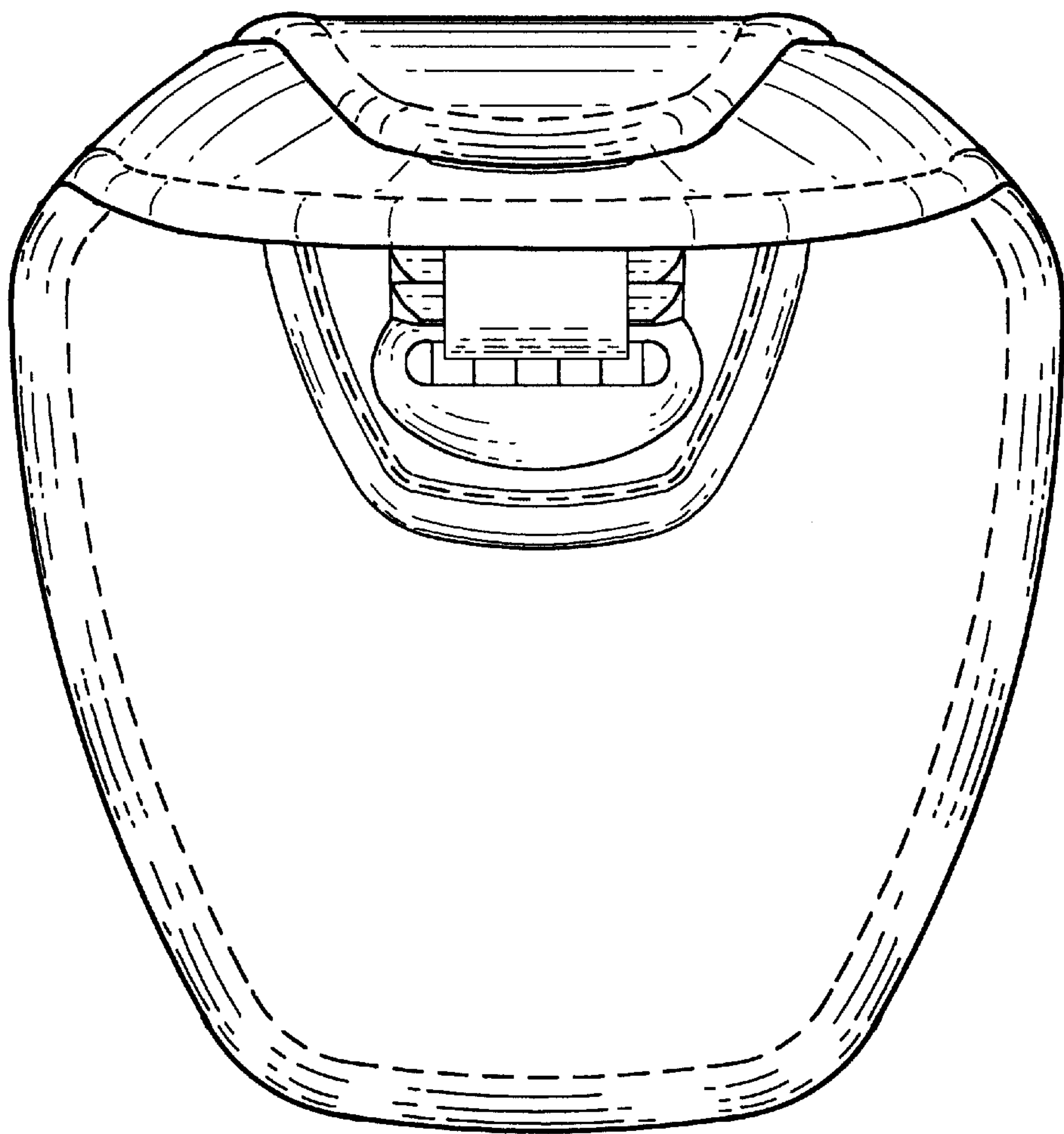


FIG. 8

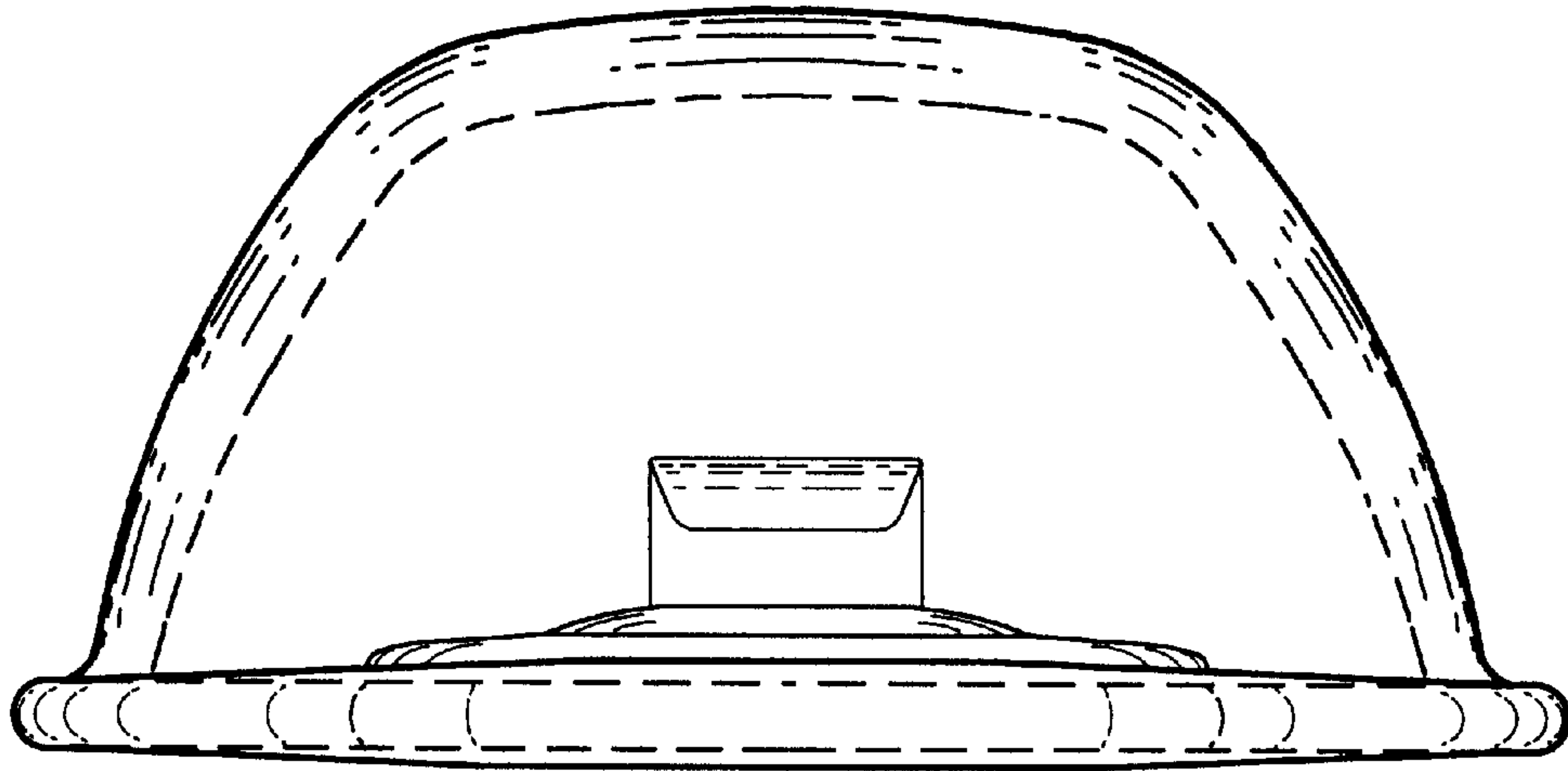


FIG. 9

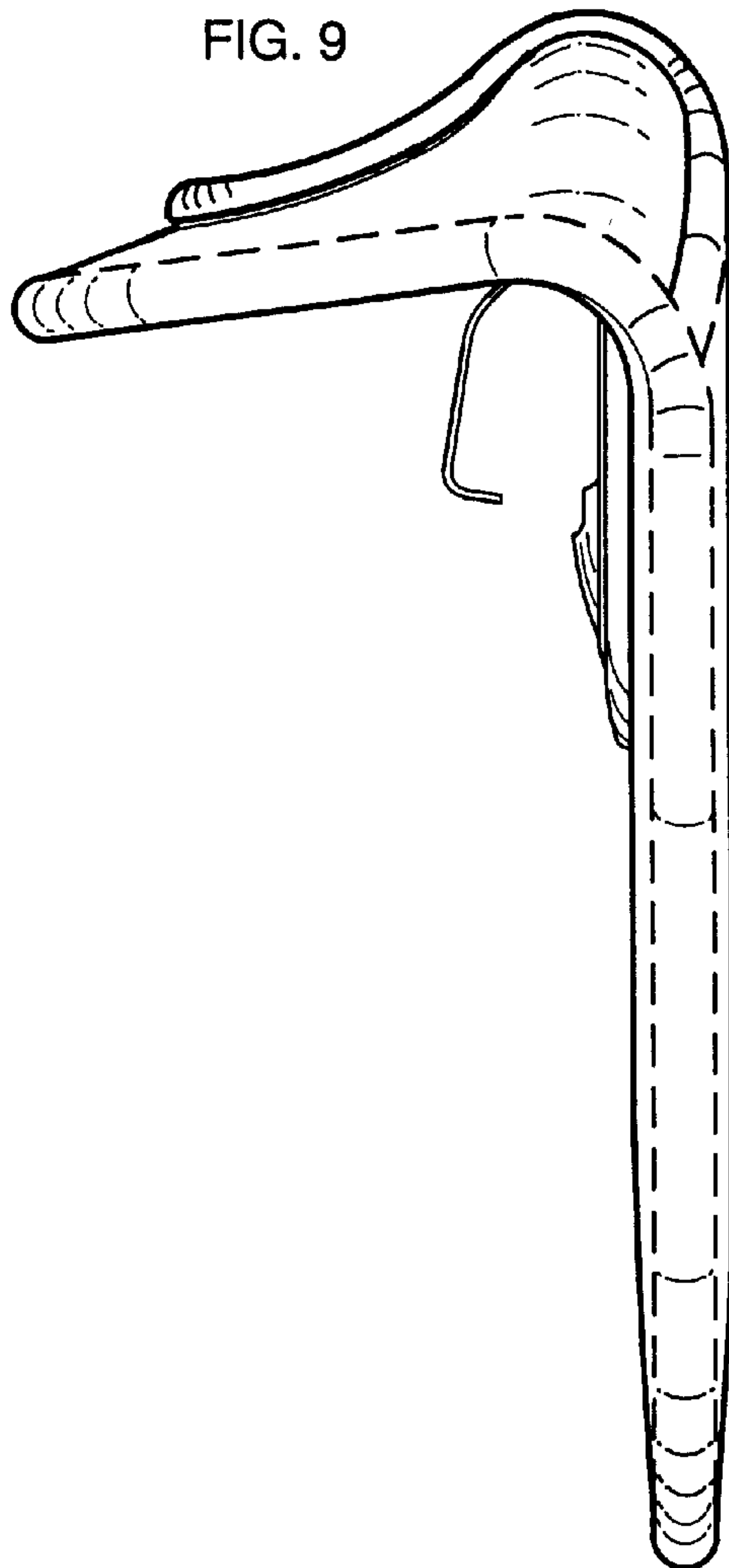


FIG. 10

