



US00D409369S

United States Patent [19]

Vega

[11] Patent Number: Des. 409,369

[45] Date of Patent: ** May 11, 1999

[54] PATIO UMBRELLA WITH LIGHTED CEILING FAN

[76] Inventor: Rafael Vega, P.O. Box #427, Palmer, Puerto Rico 00721

[**] Term: 14 Years

[21] Appl. No.: 29/082,767

[22] Filed: Jan. 29, 1998

[51] LOC (6) Cl. 03-03

[52] U.S. Cl. D3/5

[58] Field of Search D3/5, 6, 7, 10, D3/13; 135/15.1, 16, 28, 33.2, 20.3, 20 M; 248/530, 532, 533, 545, 156; D23/385, 386

[56] **References Cited**

U.S. PATENT DOCUMENTS

- D. 350,643 9/1994 Demarco D3/5
- D. 371,902 7/1996 Lee D3/5
- D. 373,468 9/1996 Dubinsky D3/5

- D. 398,443 9/1998 Bolle D3/5
- 2,577,317 12/1951 Eschrich 135/15.1
- 4,993,445 2/1991 Dubinsky 135/20 M
- 5,273,062 12/1993 Mozdzanowski 135/16

Primary Examiner—Louis S. Zarfaz
Assistant Examiner—Catherine R. Oliver

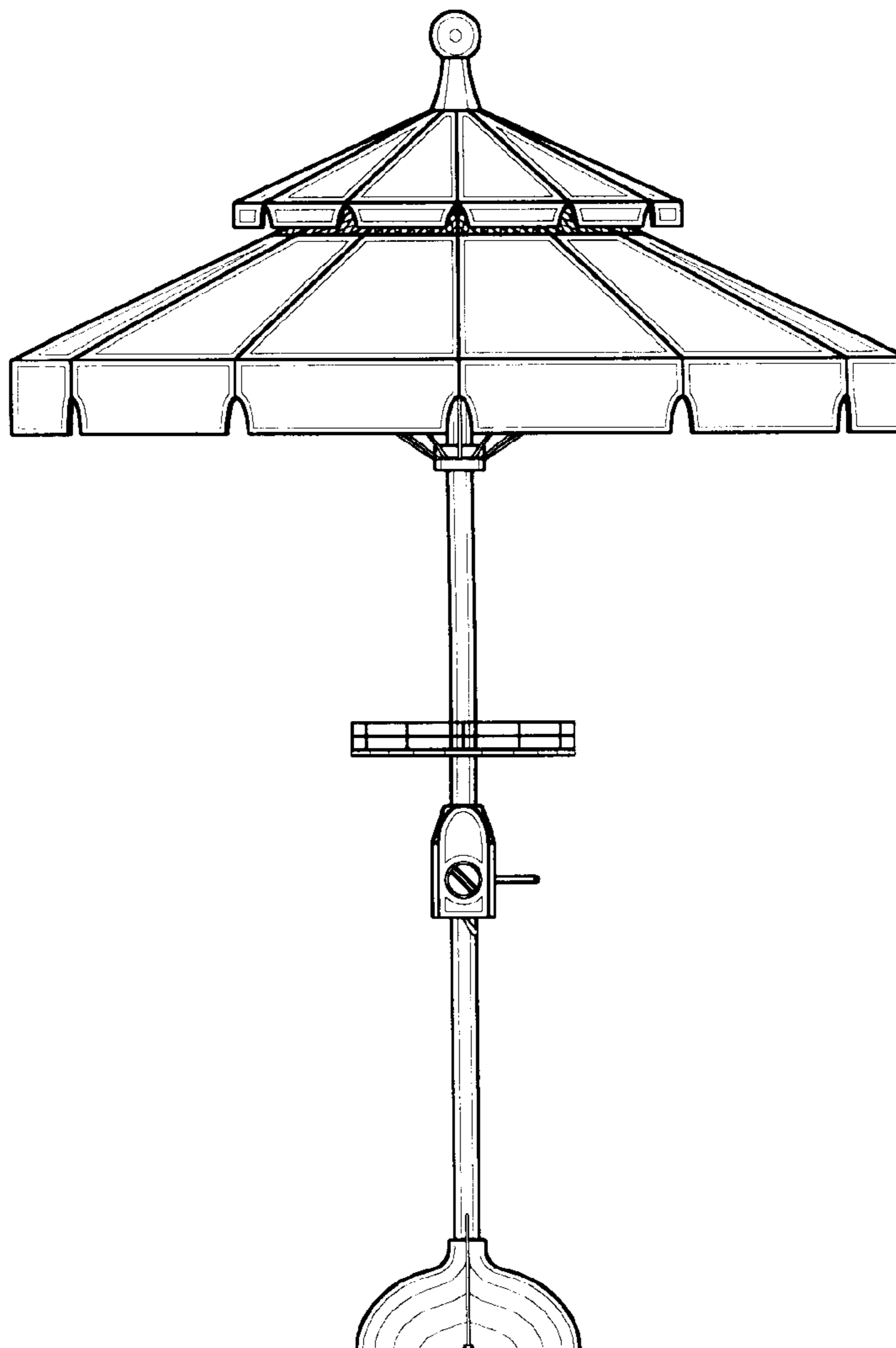
[57] **CLAIM**

The ornamental design for a patio umbrella with lighted ceiling fan, as shown.

DESCRIPTION

FIG. 1 is a front elevational view of the patio umbrella with lighted ceiling fan of the present invention; FIG. 2 is a rear elevational view thereof; FIG. 3 is a right side elevational view thereof; FIG. 4 is a left side elevational view thereof; FIG. 5 is a top plan view thereof; FIG. 6 is a bottom plan view thereof; and, FIG. 7 is an enlarged cross-sectional view taken along the line 7—7 of FIG. 5.

1 Claim, 4 Drawing Sheets



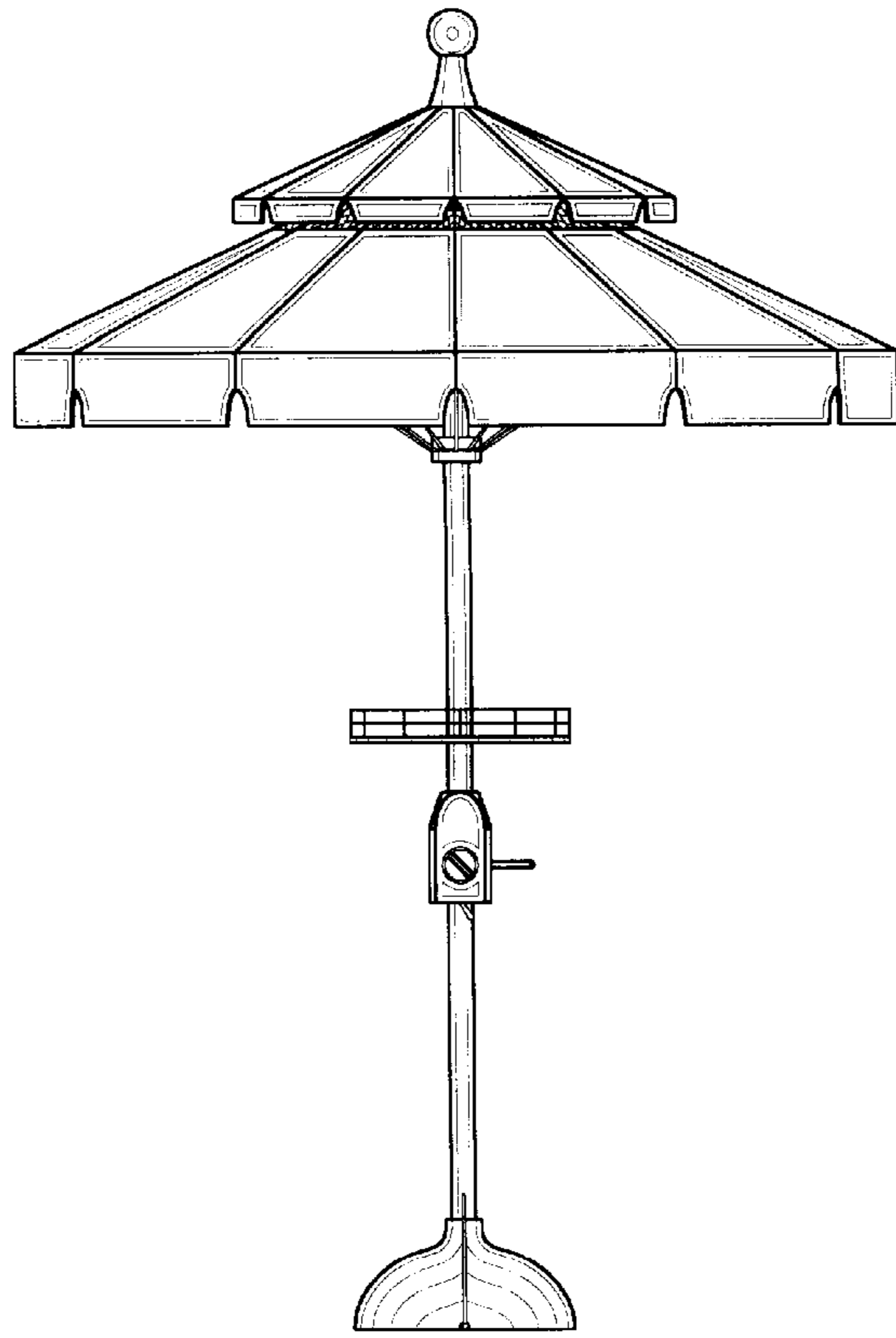


Fig. 1

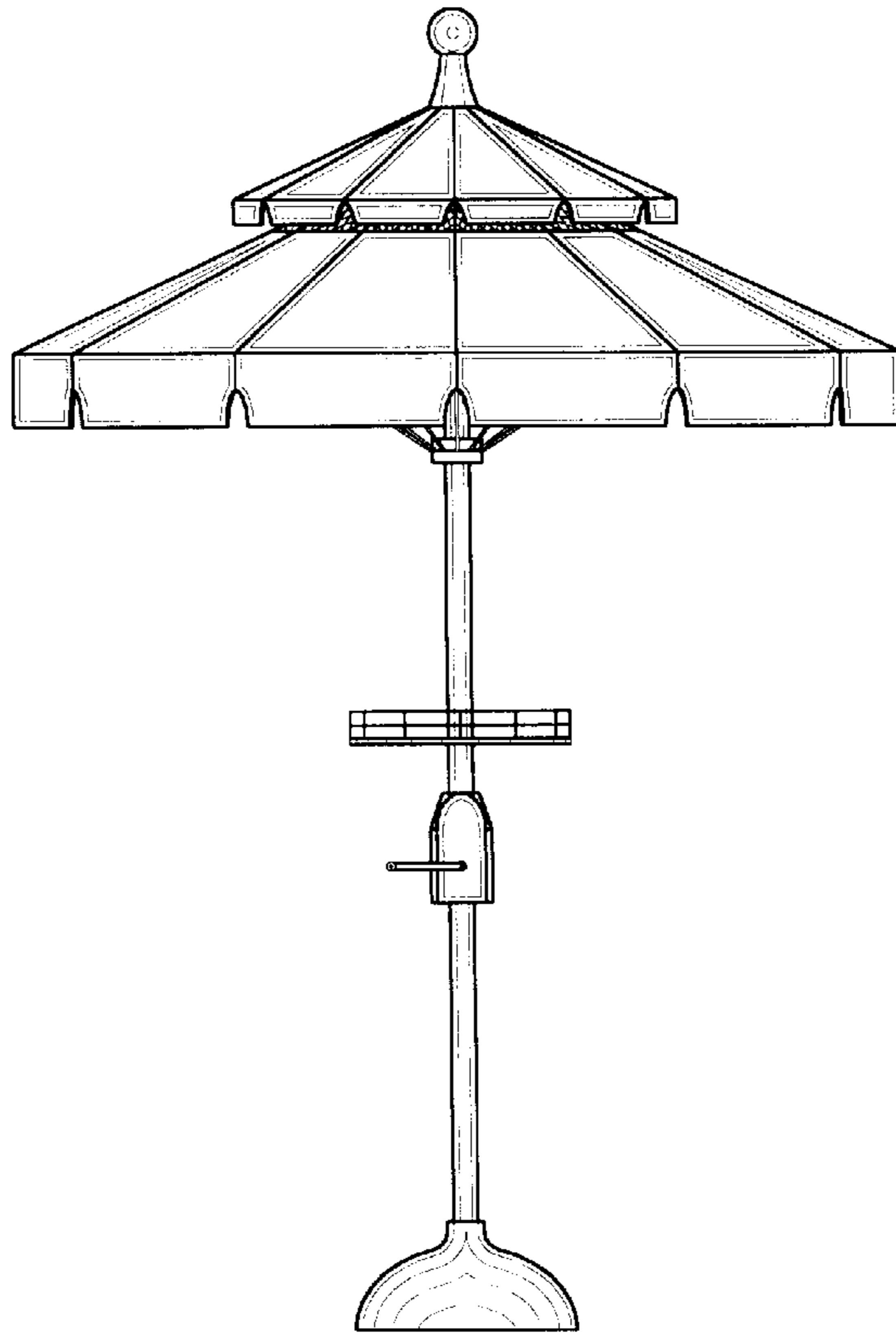


Fig. 2

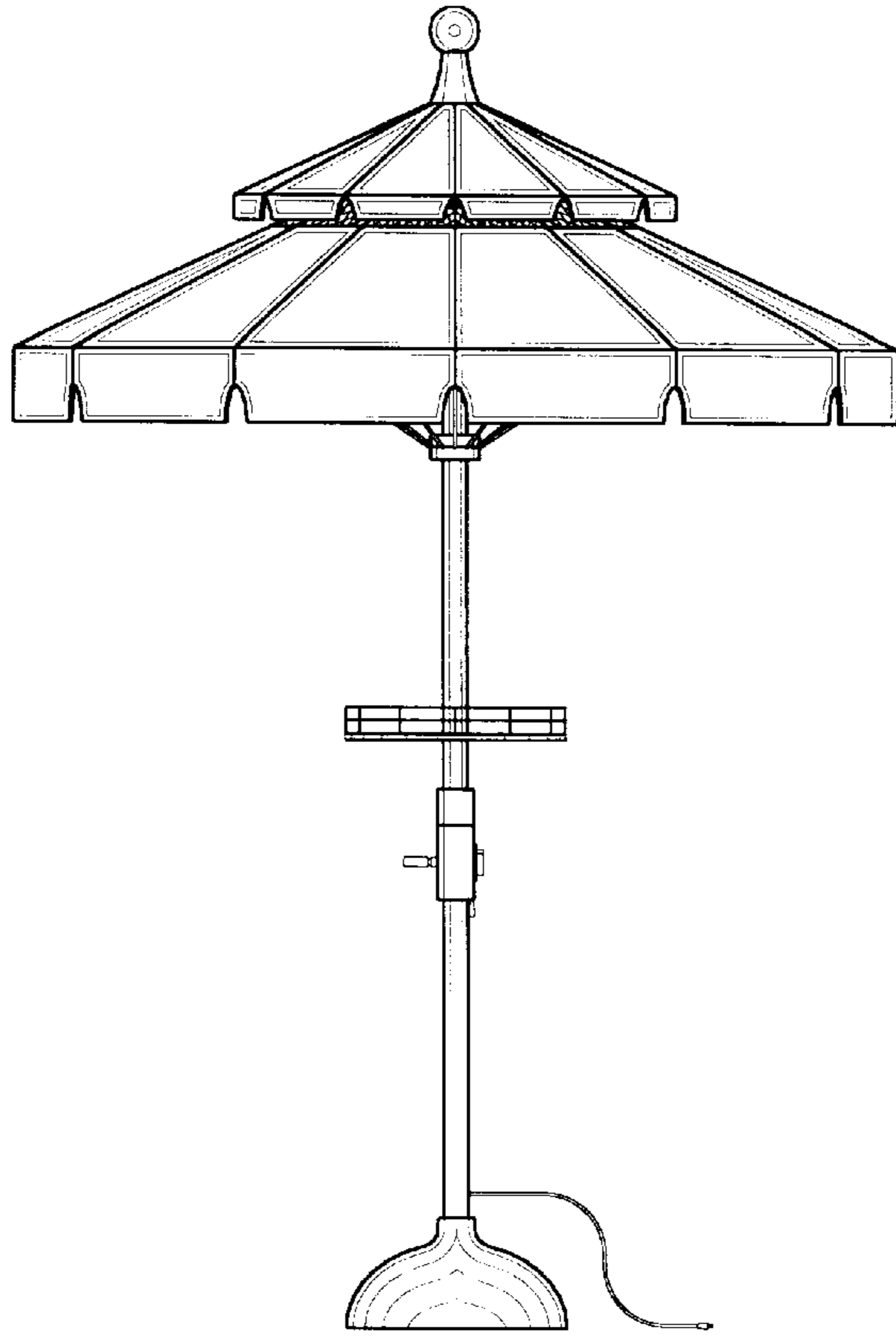


Fig. 3

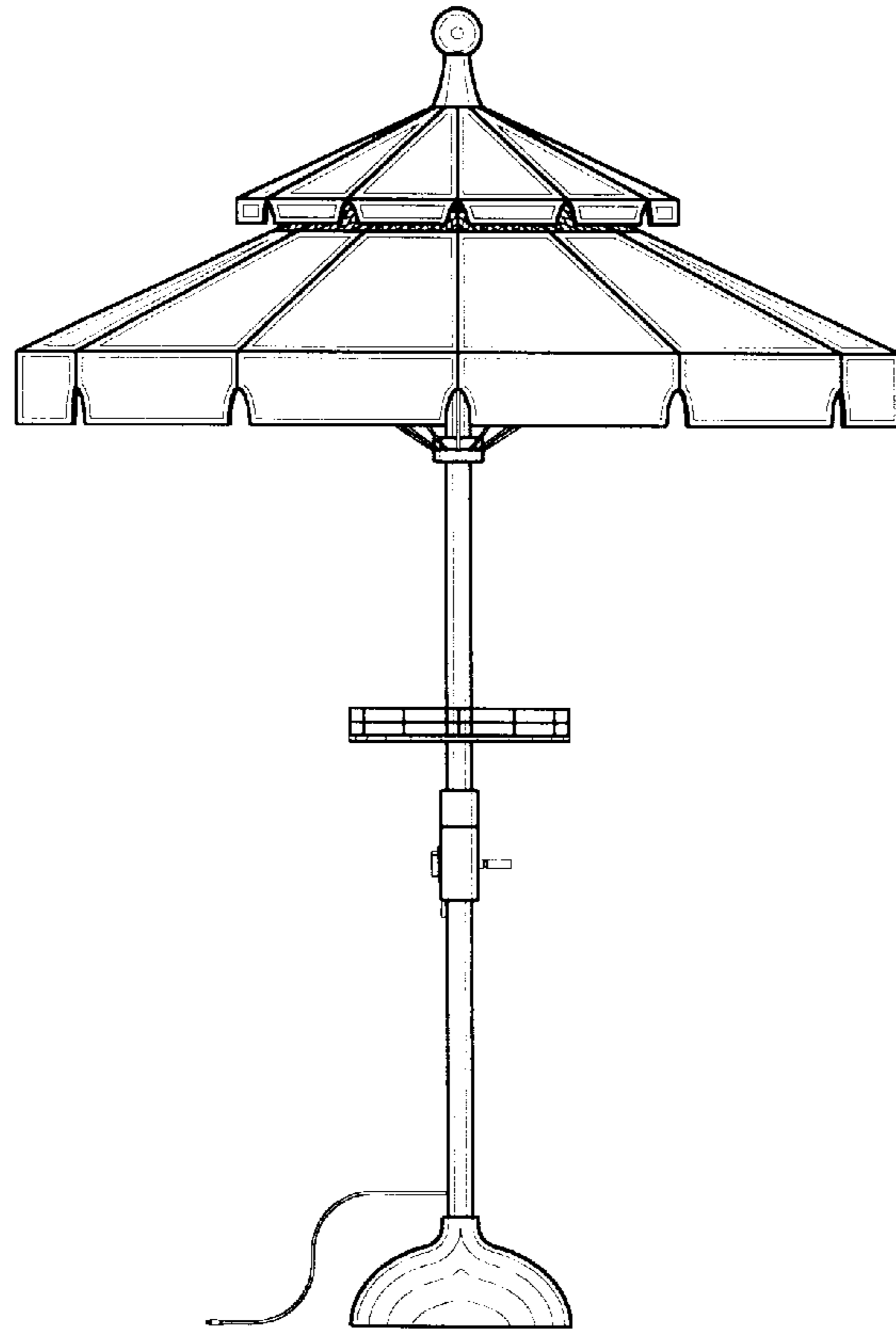


Fig. 4

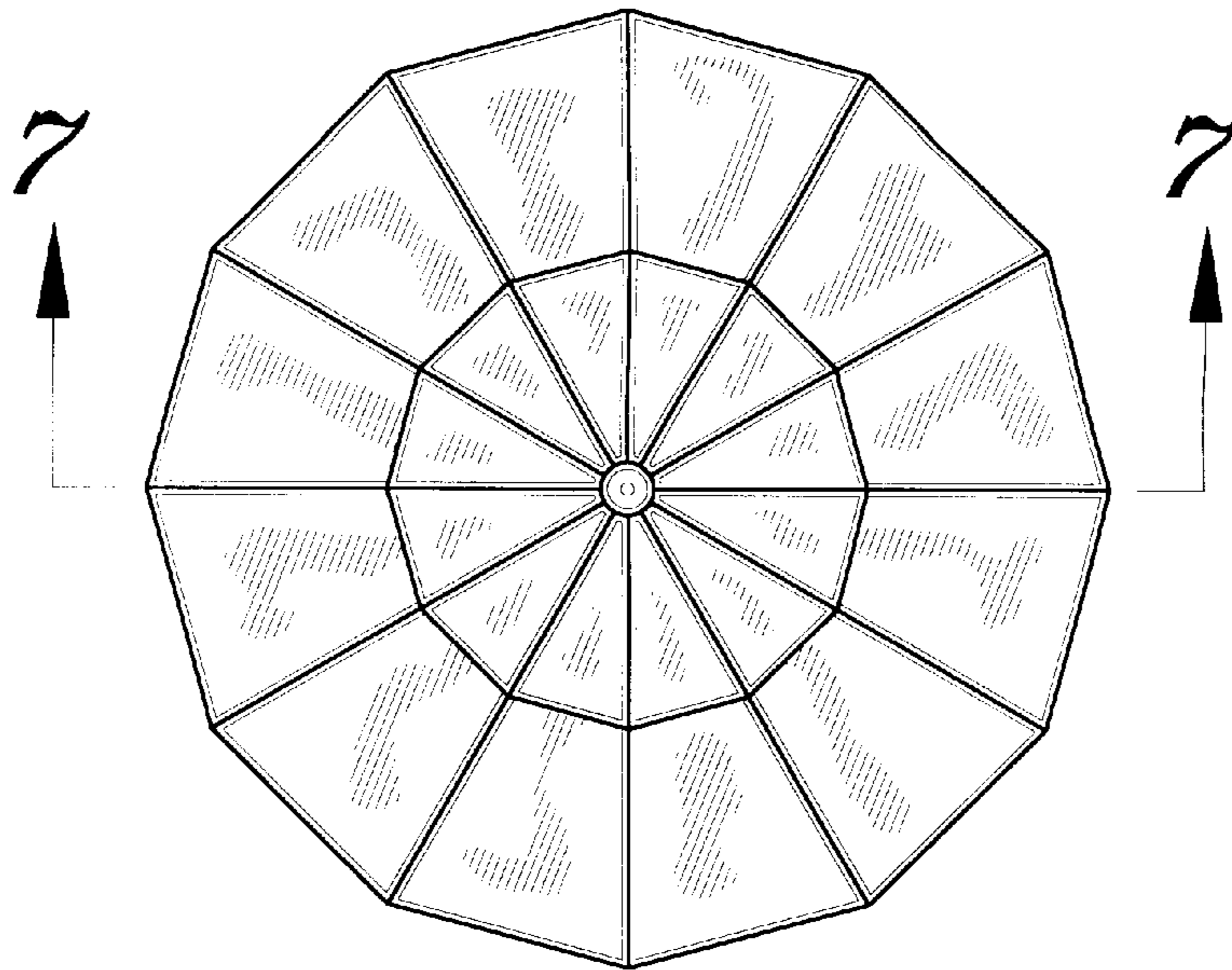


Fig. 5

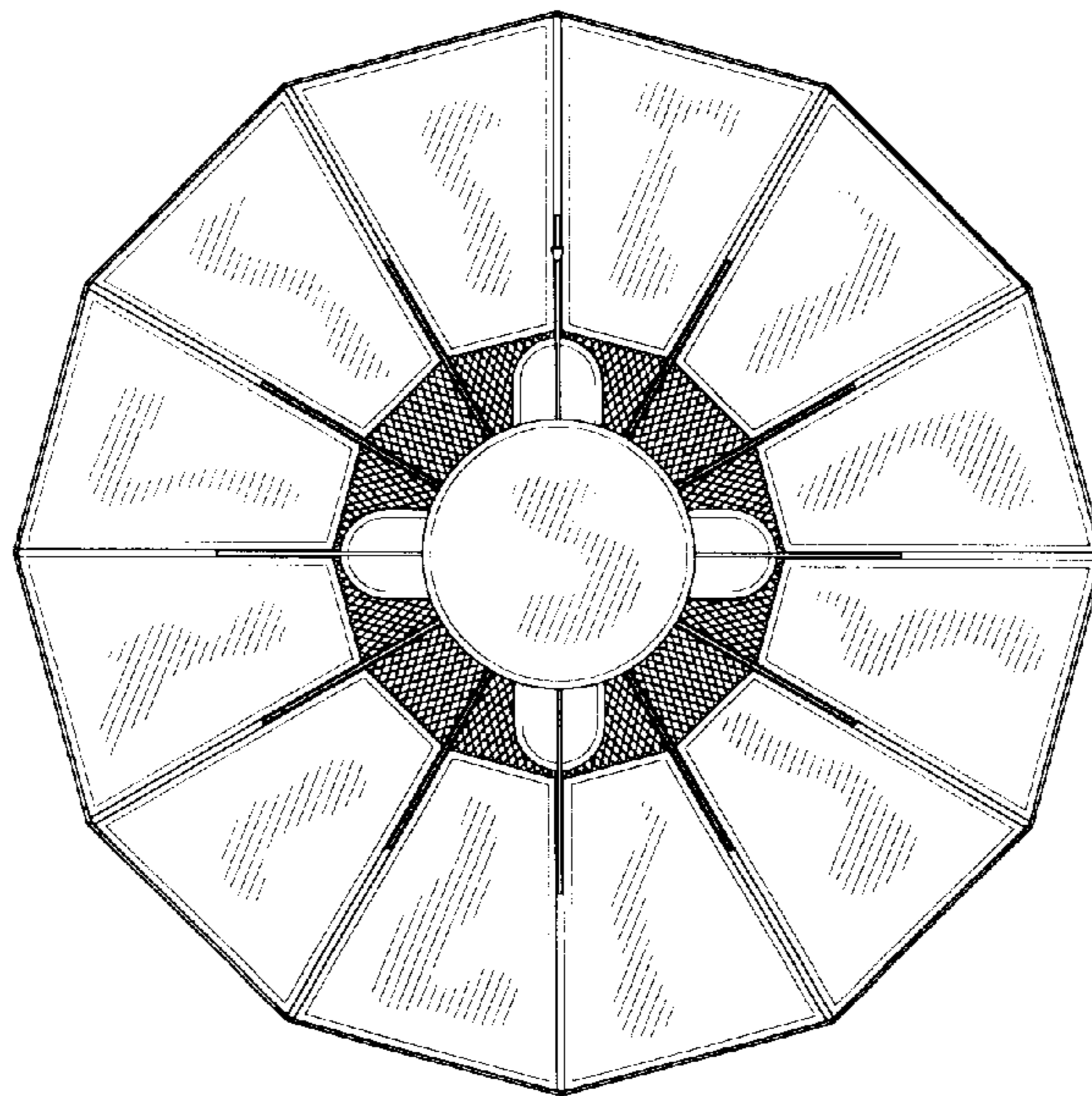


Fig. 6

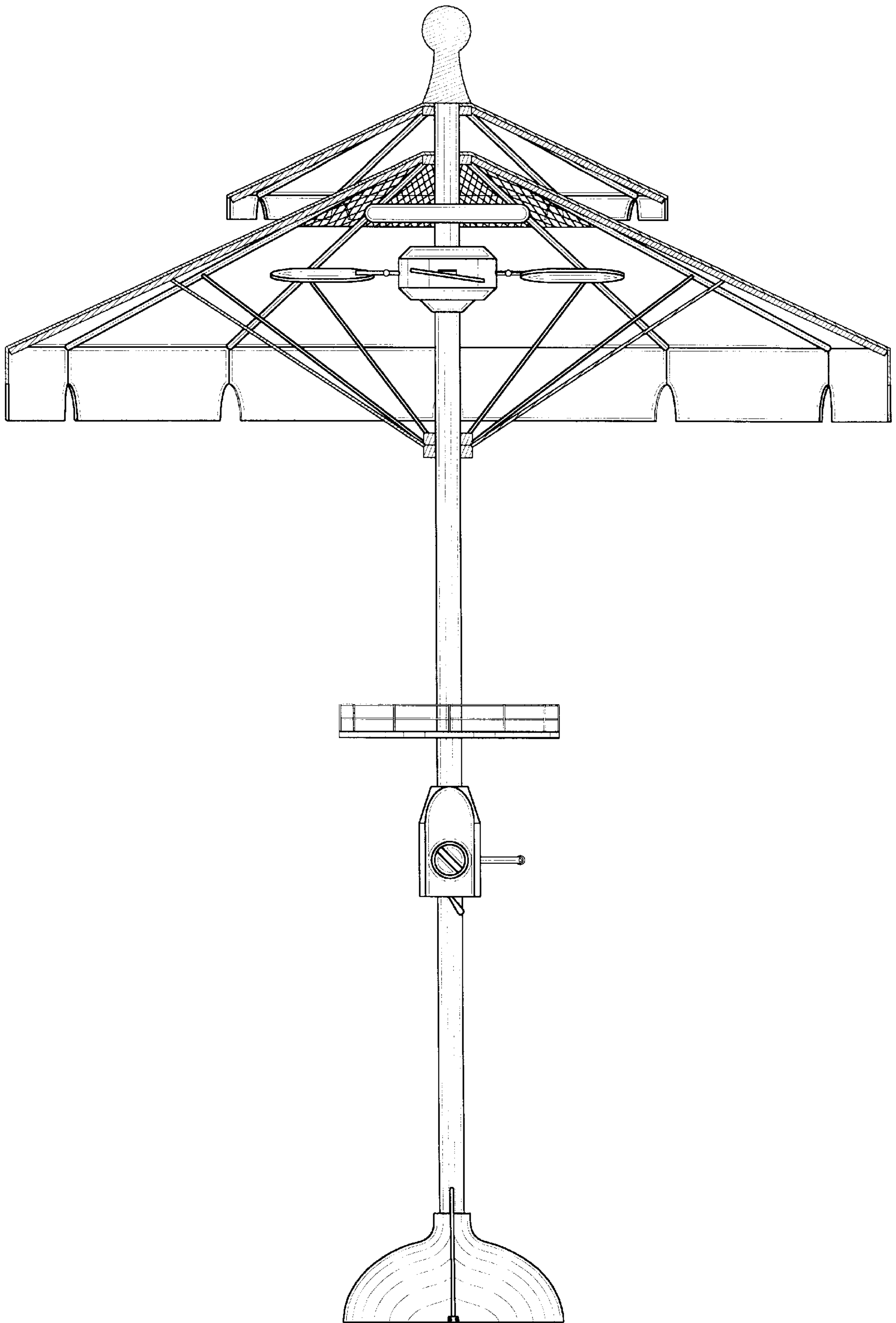


Fig. 7