



US00D409352S

United States Patent [19]

Nolte et al.

[11] **Patent Number: Des. 409,352**

[45] **Date of Patent: ** May 4, 1999**

[54] **WALL MOUNTED AUTOMATED TELLER MACHINE**

D. 393,527	4/1998	Ohki et al.	D99/28
3,318,428	5/1967	Klein	D20/2
5,813,510	9/1998	Rademacher	194/206

[75] Inventors: **Ronald J. Nolte; Robert F. Povey,**
both of Ft. Lauderdale, Fla.

Primary Examiner—Paula A. Mortimer
Attorney, Agent, or Firm—Robert C. Kain, Jr.

[73] Assignee: **Broward Vending, Inc.,** Davie, Fla.

[57] **CLAIM**

[**] Term: **14 Years**

We claim the ornamental design for the wall mounted automated teller machine, as shown and described.

[21] Appl. No.: **29/089,497**

DESCRIPTION

[22] Filed: **Jun. 16, 1998**

[51] **LOC (6) Cl.** **14-02**

[52] **U.S. Cl.** **D99/28; D99/34; D14/107**

[58] **Field of Search** D99/28, 34, 35,
D99/36, 37, 43; 194/350, 206, 217; D20/2;
D14/107; 235/379, 380

FIG. 1 is a front perspective view of a wall mounted automated teller machine showing our new design;
FIG. 2 is a top view;
FIG. 3 is a front elevational view;
FIG. 4 is a bottom view;
FIG. 5 is a right side view;
FIG. 6 is a left side view; and,
FIG. 7 is a rear view.

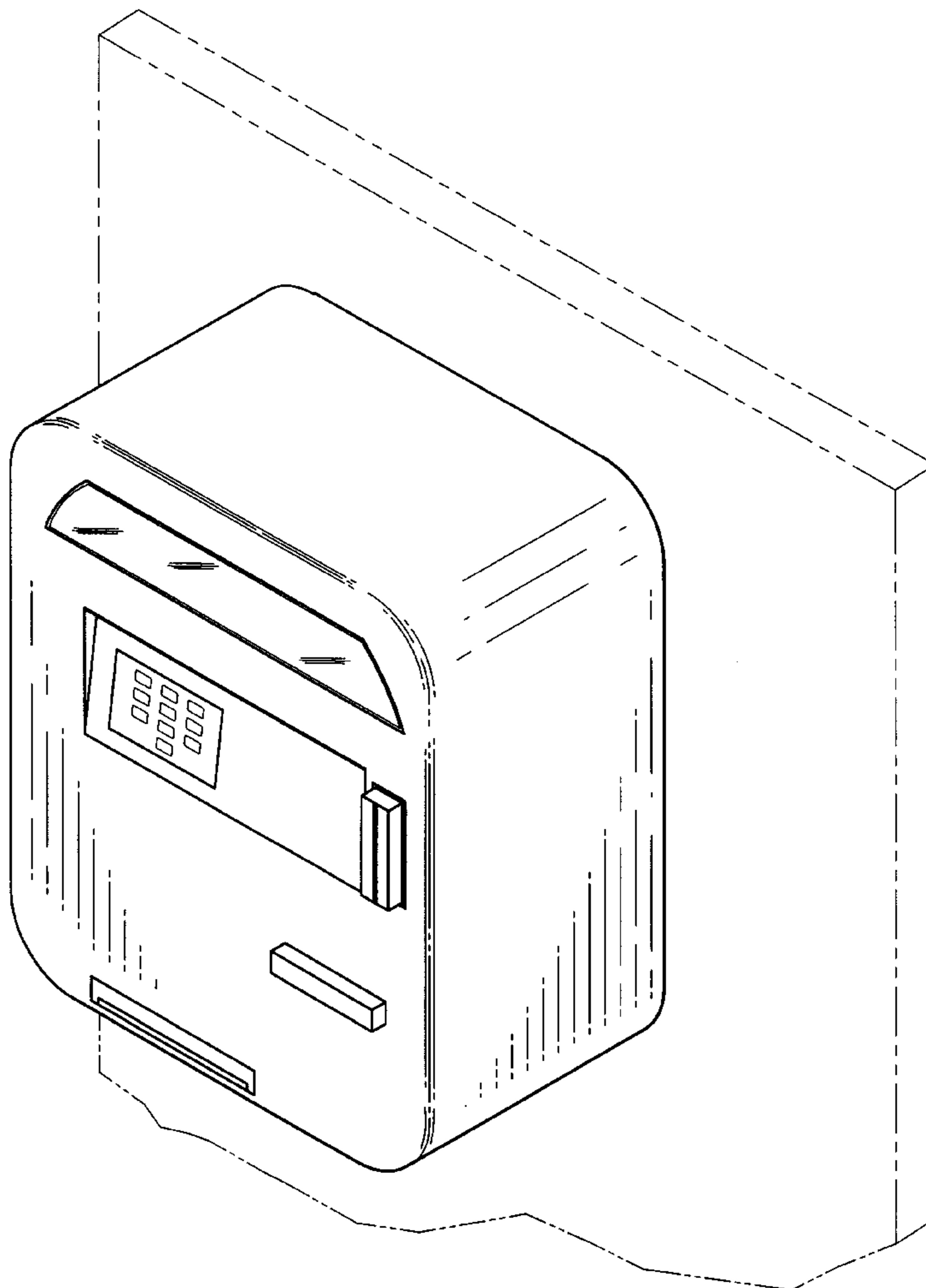
[56] **References Cited**

U.S. PATENT DOCUMENTS

D. 180,125	4/1957	Walker	D20/2
D. 249,794	10/1978	Howe	D14/107
D. 268,062	2/1983	Chance	D99/28
D. 281,175	10/1985	Mitchell	D20/2

The broken line showing of the wall in FIGS. 1 through 6 is for illustrative purposes only and forms no part of the claimed design.

1 Claim, 3 Drawing Sheets



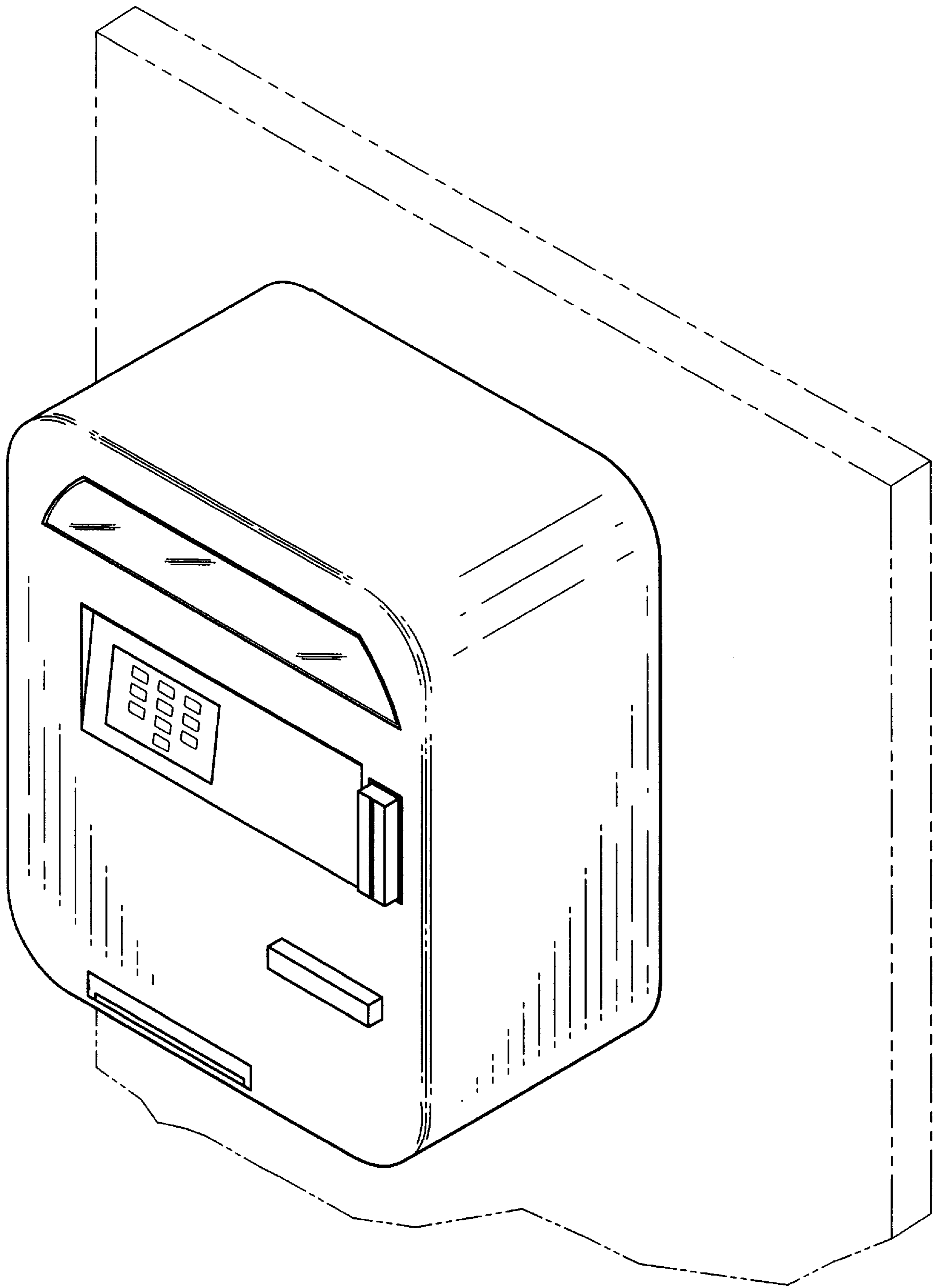


FIG. 1

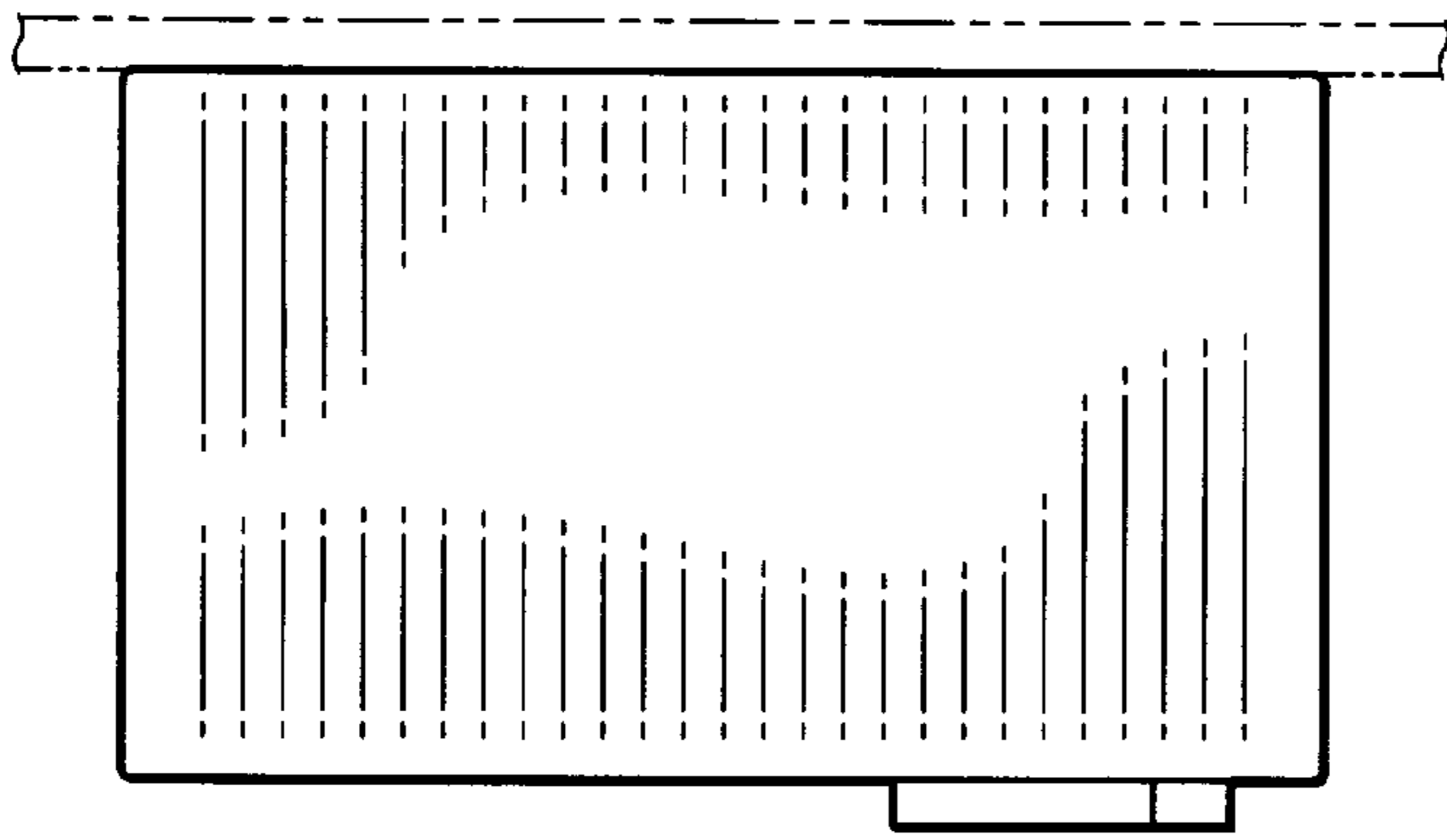


FIG. 2

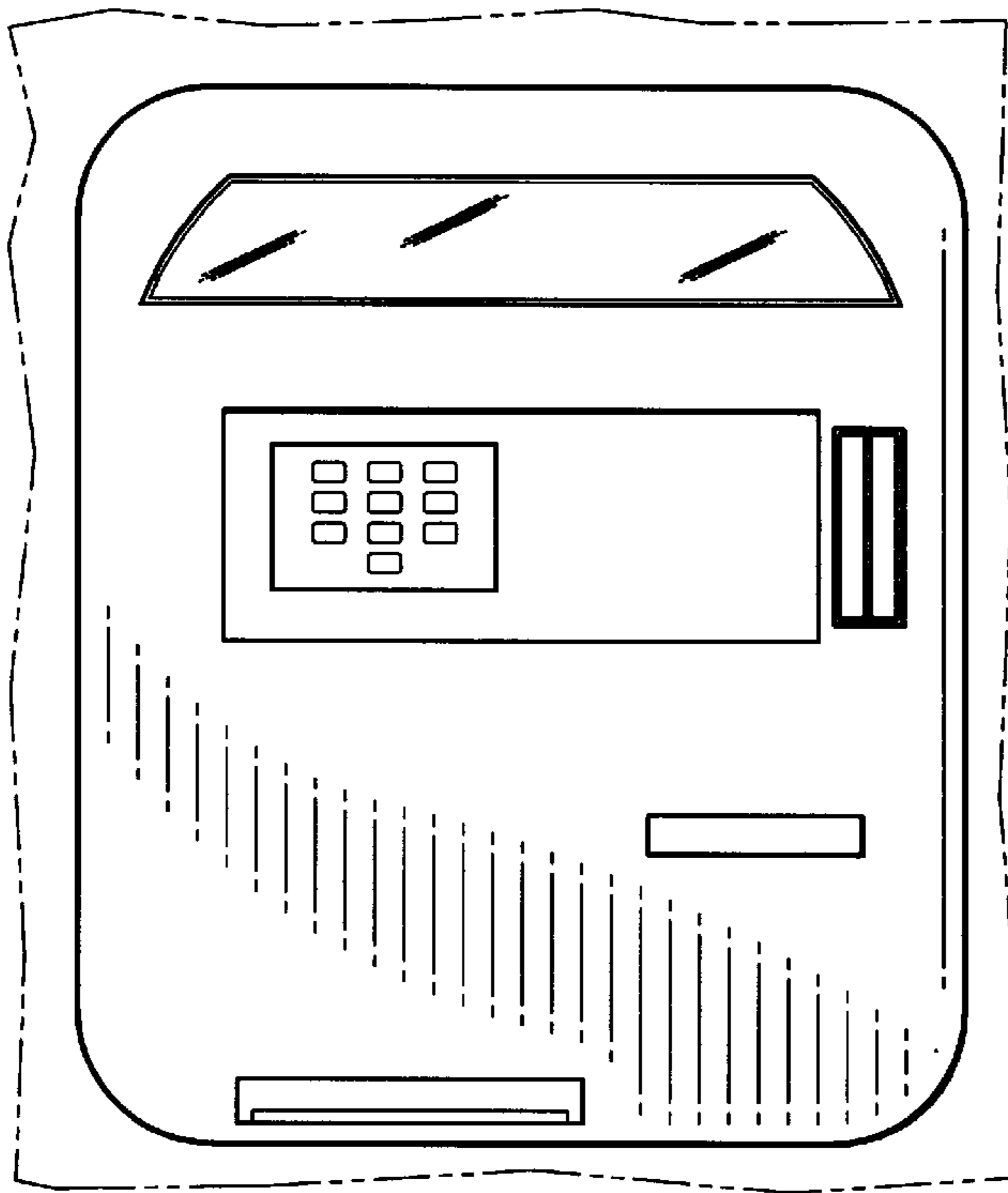


FIG. 3

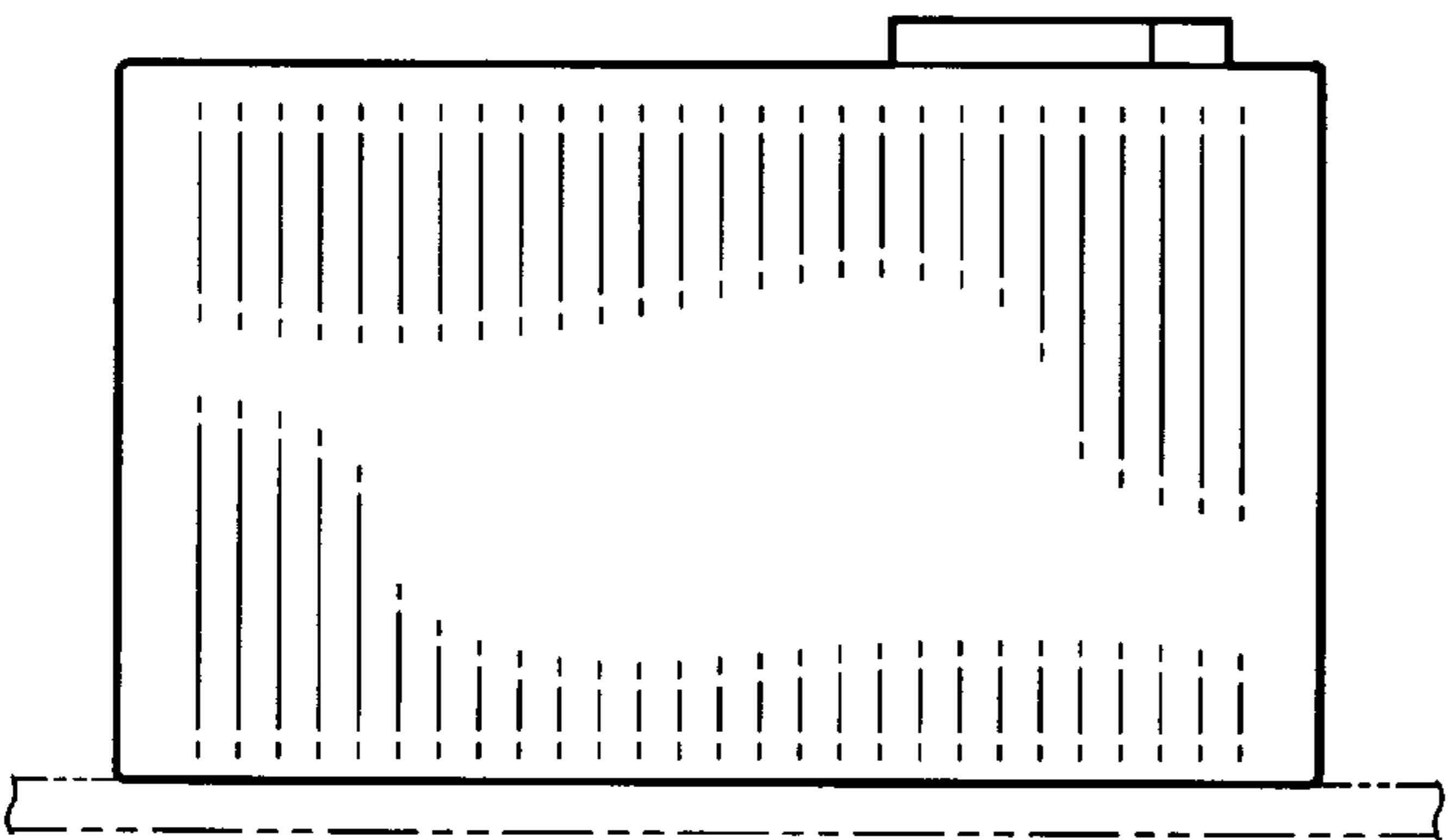


FIG. 4

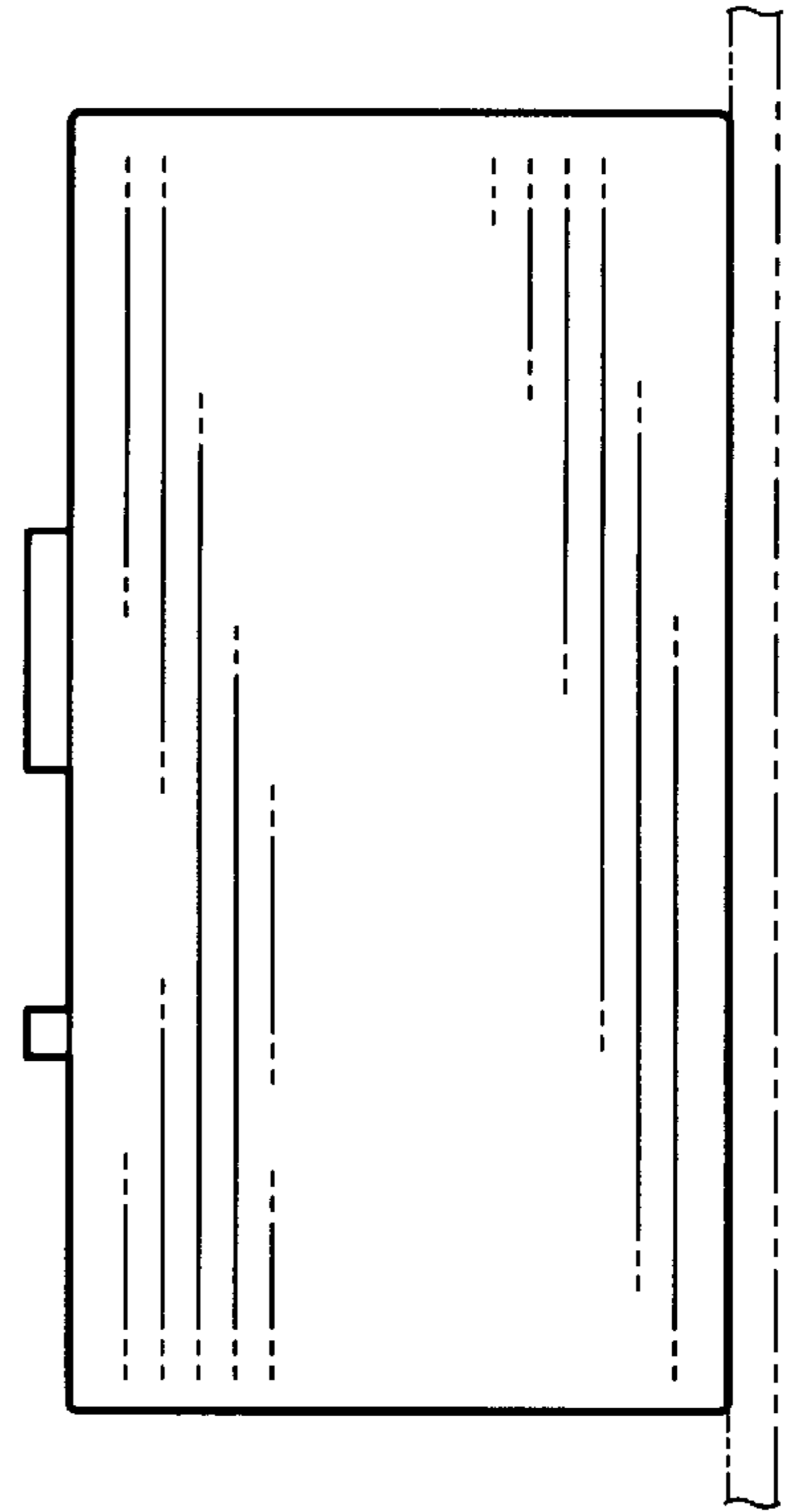


FIG. 5

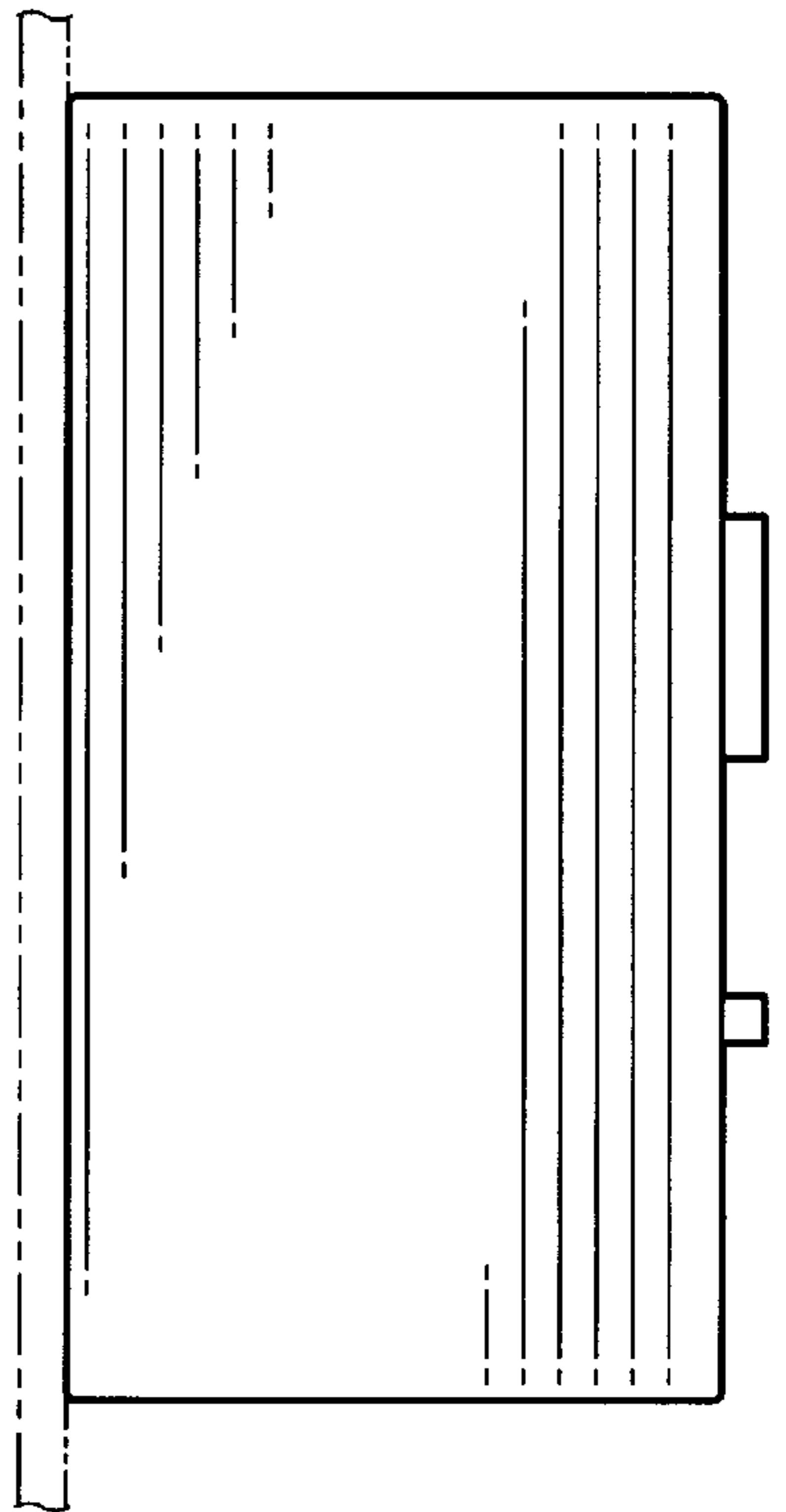


FIG. 6

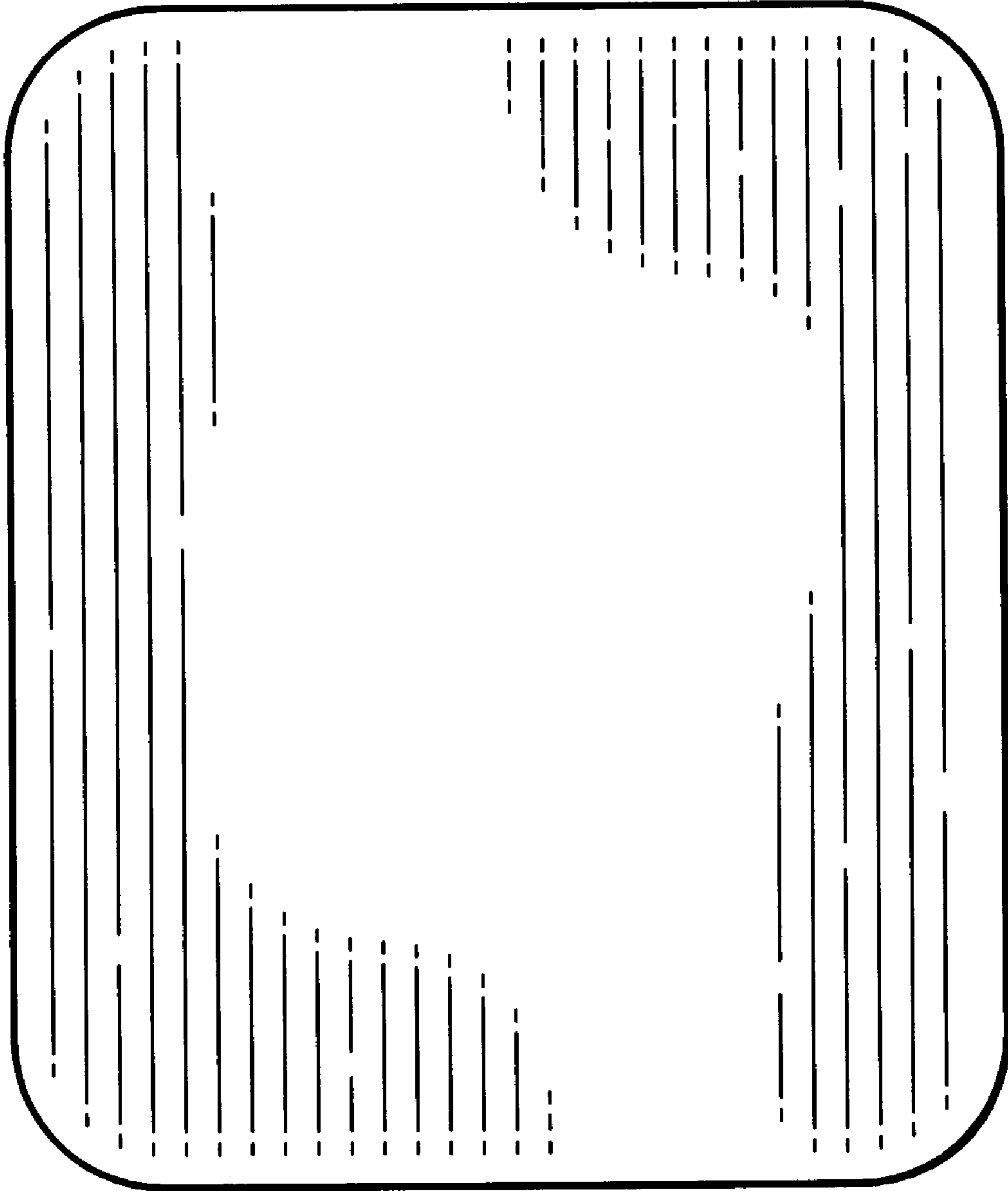


FIG. 7