



US00D409350S

**United States Patent** [19]  
**Jacob**

[11] **Patent Number: Des. 409,350**

[45] **Date of Patent: \*\* May 4, 1999**

[54] **DISPLAY**

D. 205,410 8/1966 Gerlat ..... D11/122 X  
5,199,781 4/1993 Sweeny ..... 362/392 X

[76] Inventor: **Dan Jacob**, 11908 Burbank, Blvd. #9,  
North Hollywood, Calif. 91607

*Primary Examiner*—Paula A. Mortimer  
*Attorney, Agent, or Firm*—Allan M. Shapiro

[\*\*] Term: **14 Years**

[57] **CLAIM**

[21] Appl. No.: **29/087,397**

The ornamental design for a display, as shown and described.

[22] Filed: **May 1, 1998**

[51] **LOC (6) Cl.** ..... **11-05**

[52] **U.S. Cl.** ..... **D99/25**

[58] **Field of Search** ..... D99/5, 17, 21,  
D99/23, 24, 25, 99; 40/124.5, 642, 660;  
D20/29; D26/6, 9; D11/122, 121; D16/130;  
362/392, 124

**DESCRIPTION**

[56] **References Cited**

**U.S. PATENT DOCUMENTS**

D. 43,662 2/1913 Elwell ..... D99/21  
D. 137,421 3/1944 Rasmussen ..... D99/23  
D. 173,045 9/1954 Smart ..... D16/130

FIG. 1 is a perspective view from the front and top of a display, showing my new design;  
FIG. 2 is an elevational view from the rear thereof;  
FIG. 3 is an elevational view from the left side thereof;  
FIG. 4 is a top plan view thereof; and  
FIG. 5 is an elevational view from the right side thereof; and,  
FIG. 6 is a perspective view from the front and top of the second embodiment showing my new design, the only difference being the base.

**1 Claim, 2 Drawing Sheets**

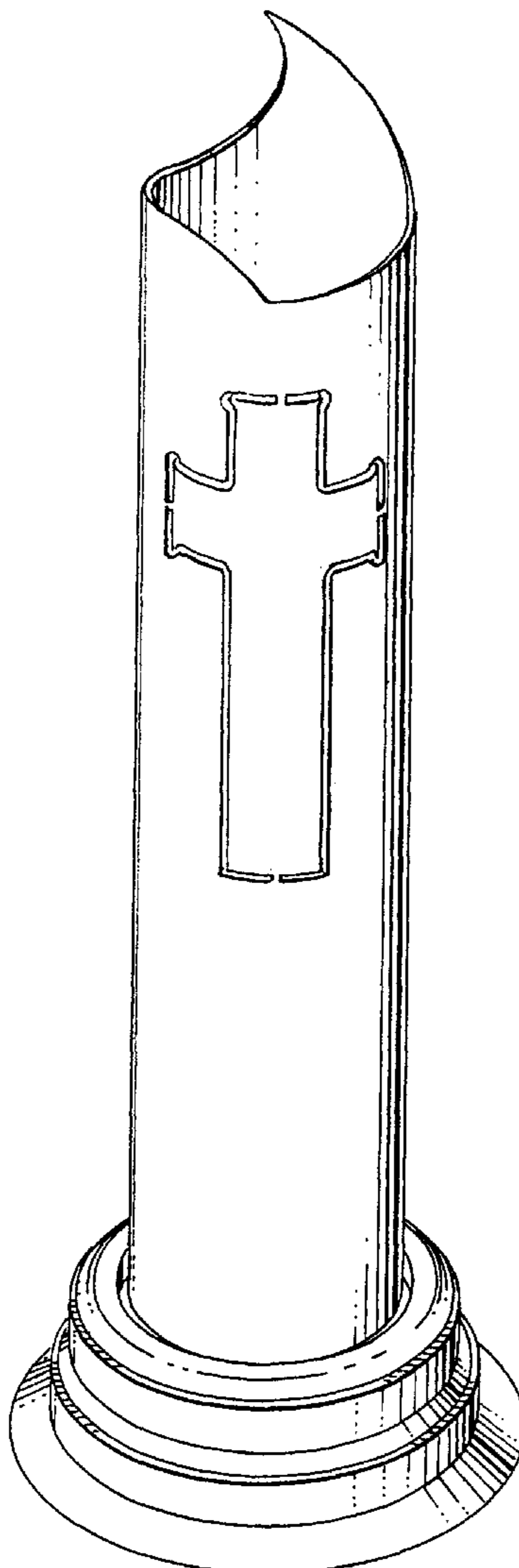


FIG. 1

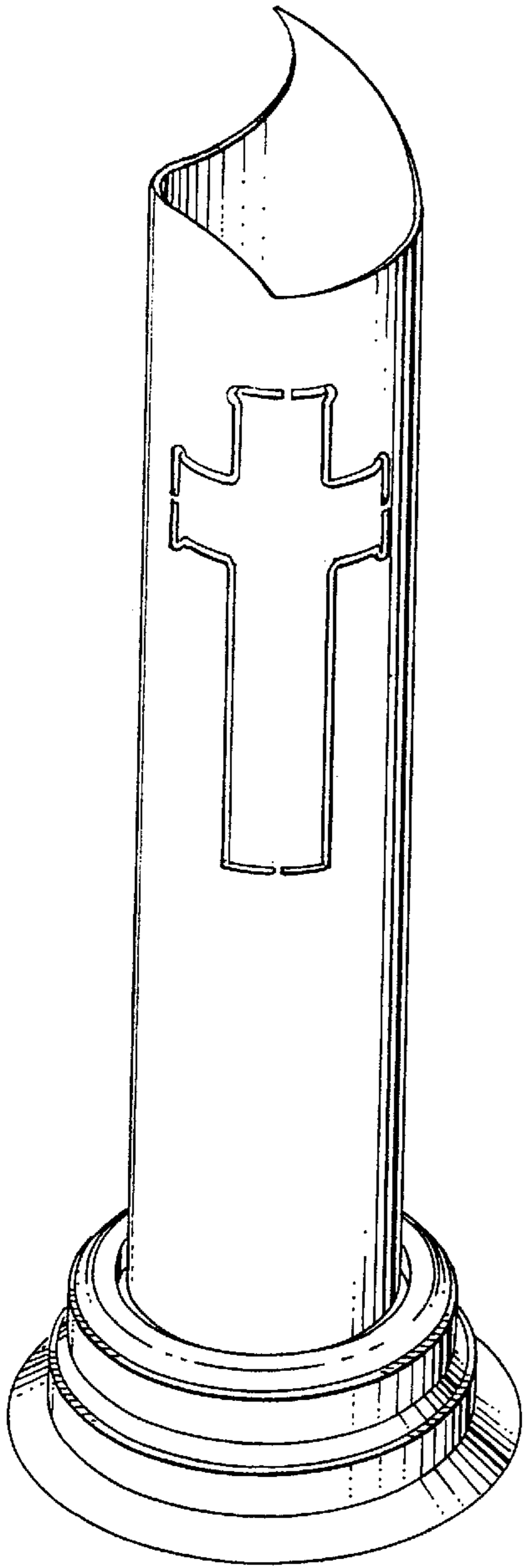


FIG. 2

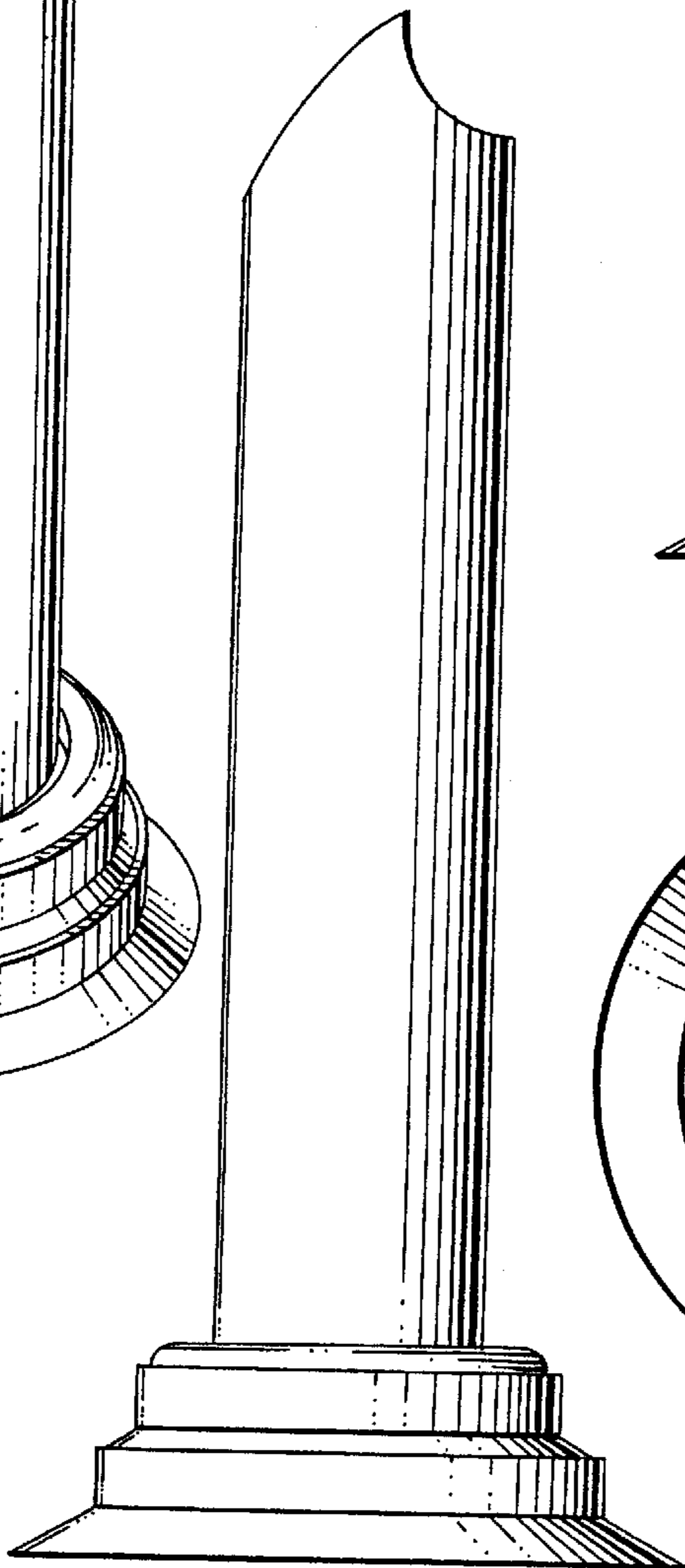


FIG. 3

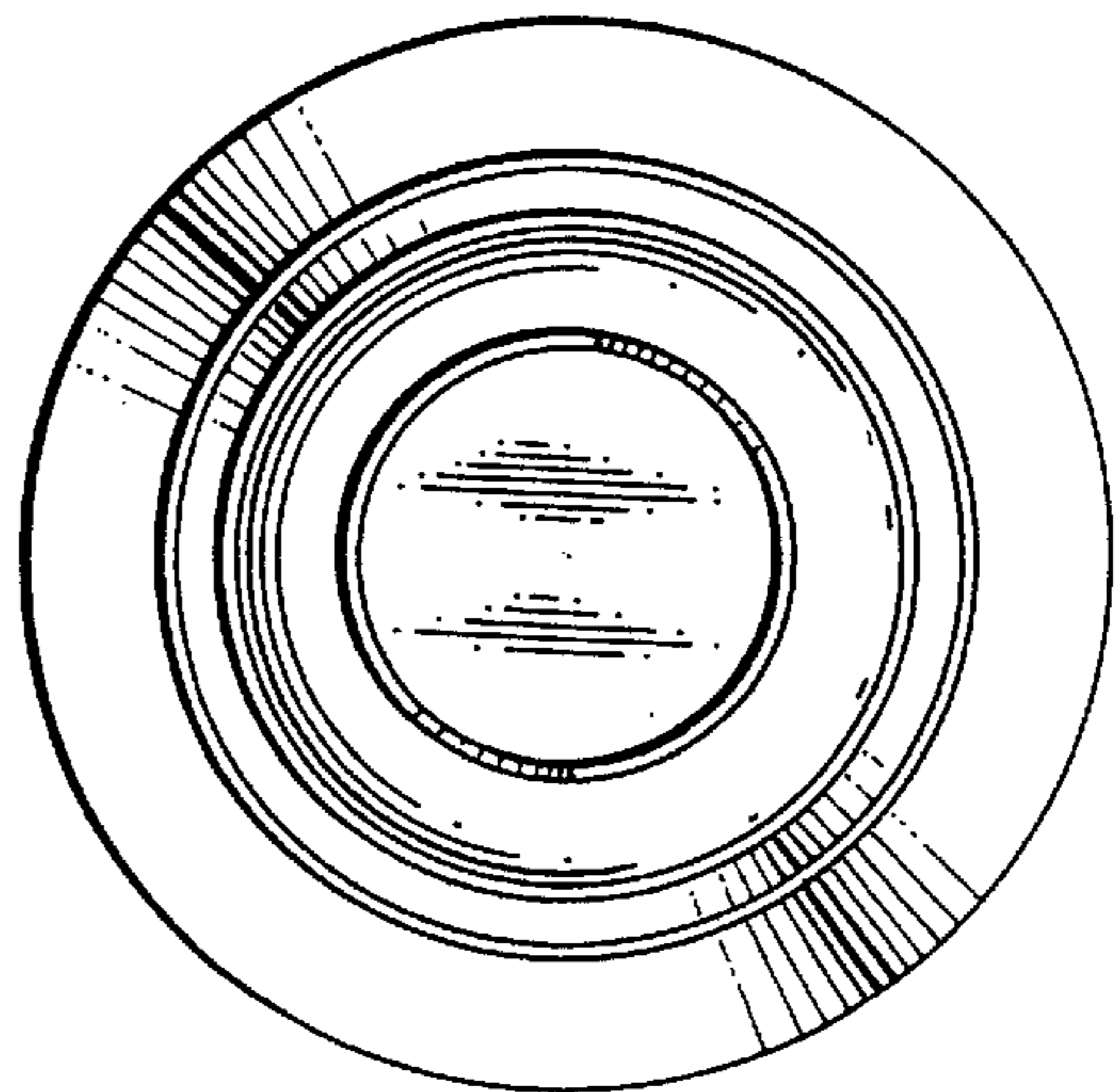
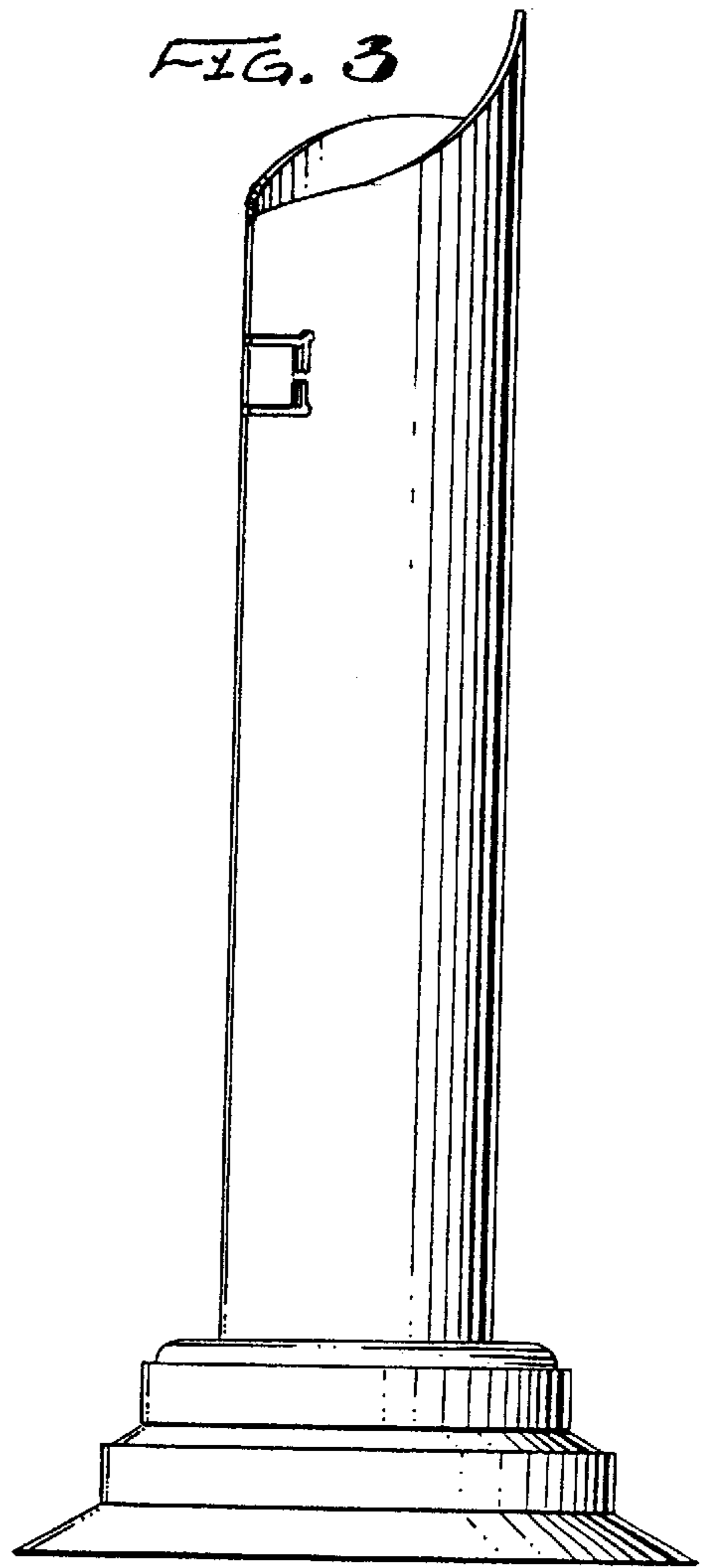


FIG. 4

FIG. 5

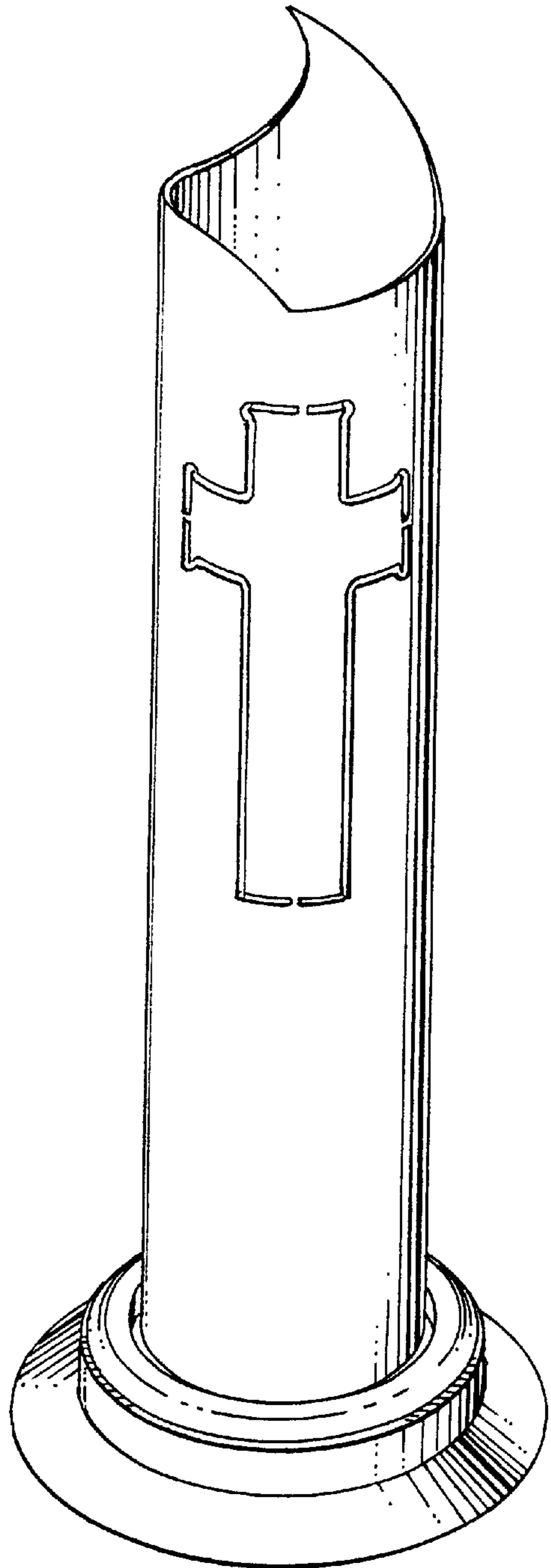
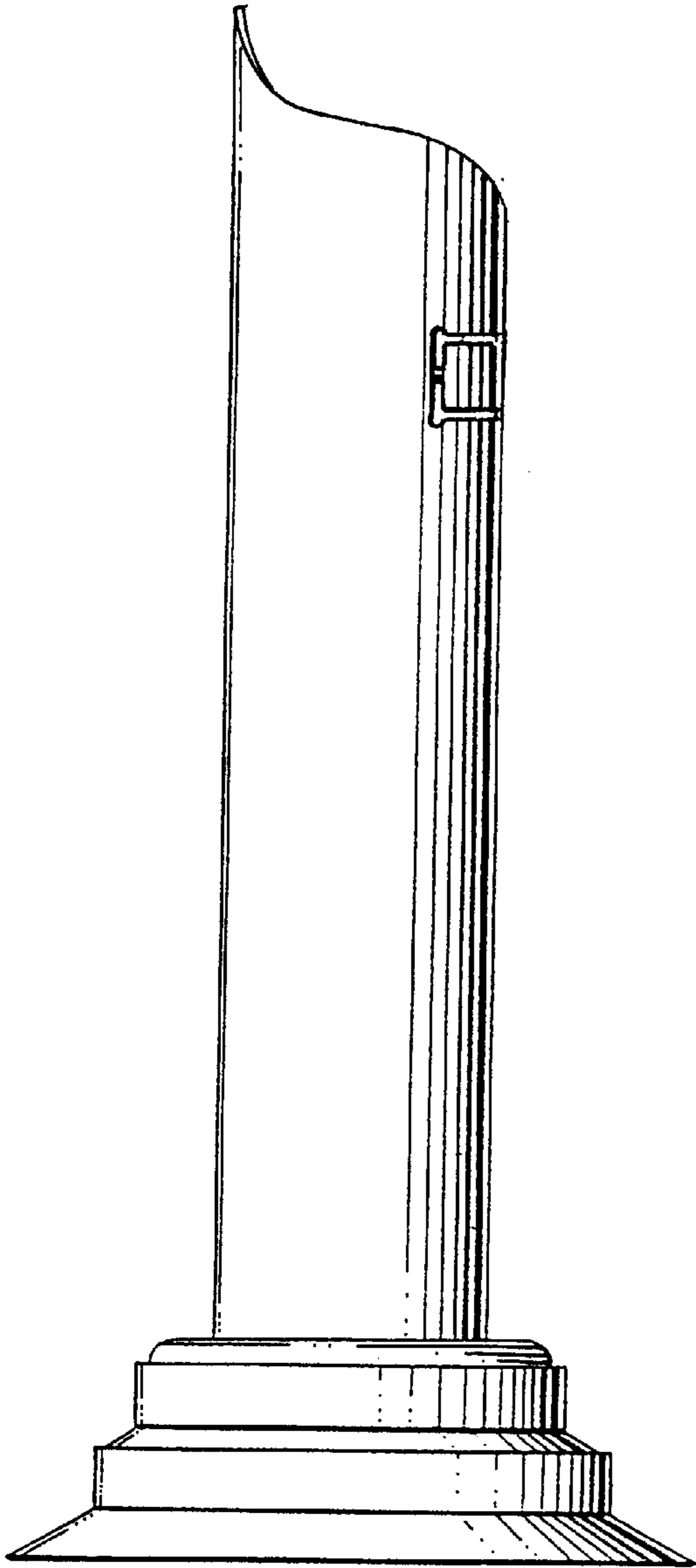


FIG. 6