



US00D409345S

# United States Patent [19] Nordgren

[11] **Patent Number: Des. 409,345**

[45] **Date of Patent: \*\* May 4, 1999**

[54] **HAND CART**

D. 170,759 11/1953 Kesler ..... D34/21 X  
D. 332,335 1/1993 Casad ..... D34/24

[76] Inventor: **Ralph E. Nordgren**, 31 Bergeron Rd.,  
Marlboro, Mass. 01752

*Primary Examiner*—Kay H. Chin  
*Attorney, Agent, or Firm*—Niels, Lemack & Dingman

[\*\*] Term: **14 Years**

[57] **CLAIM**

[21] Appl. No.: **29/076,901**

The ornamental design for a hand cart, as shown and described.

[22] Filed: **Sep. 25, 1997**

**DESCRIPTION**

[51] **LOC (6) Cl.** ..... **12-02**

[52] **U.S. Cl.** ..... **D34/24; D34/26**

[58] **Field of Search** ..... D34/12-27; 280/47.18,  
280/47.24, 47.26, 47.34, 47.35; 248/97,  
98, 101, 907, 127

FIG. 1 is a side elevational view of a hand cart showing my new design;

FIG. 2 is a front elevational view thereof;

FIG. 3 is a top plan view thereof; and,

FIG. 4 is a front perspective view thereof.

[56] **References Cited**

**U.S. PATENT DOCUMENTS**

D. 84,868 8/1931 Beach ..... D34/21 X

**1 Claim, 4 Drawing Sheets**

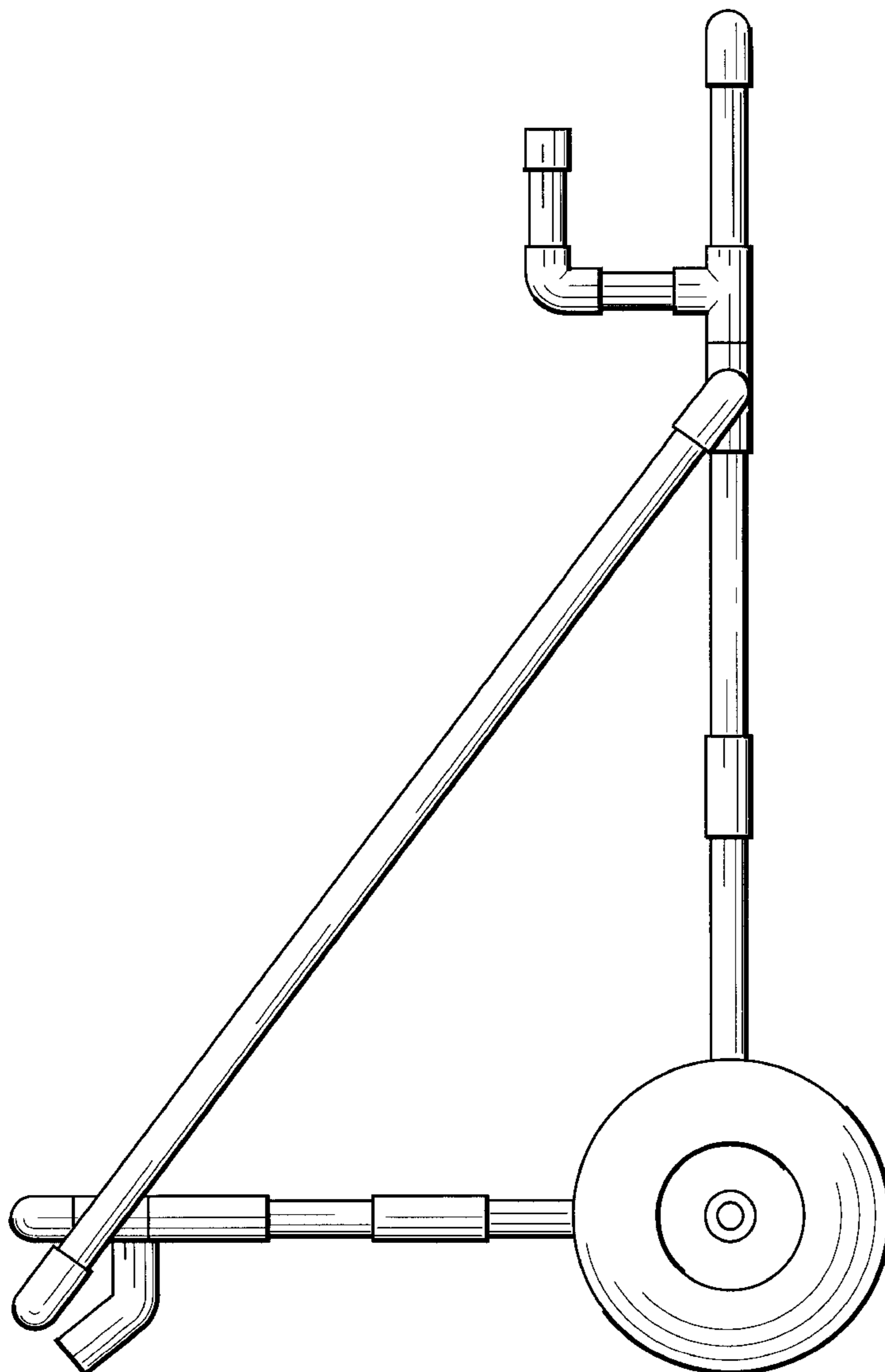


FIGURE 1

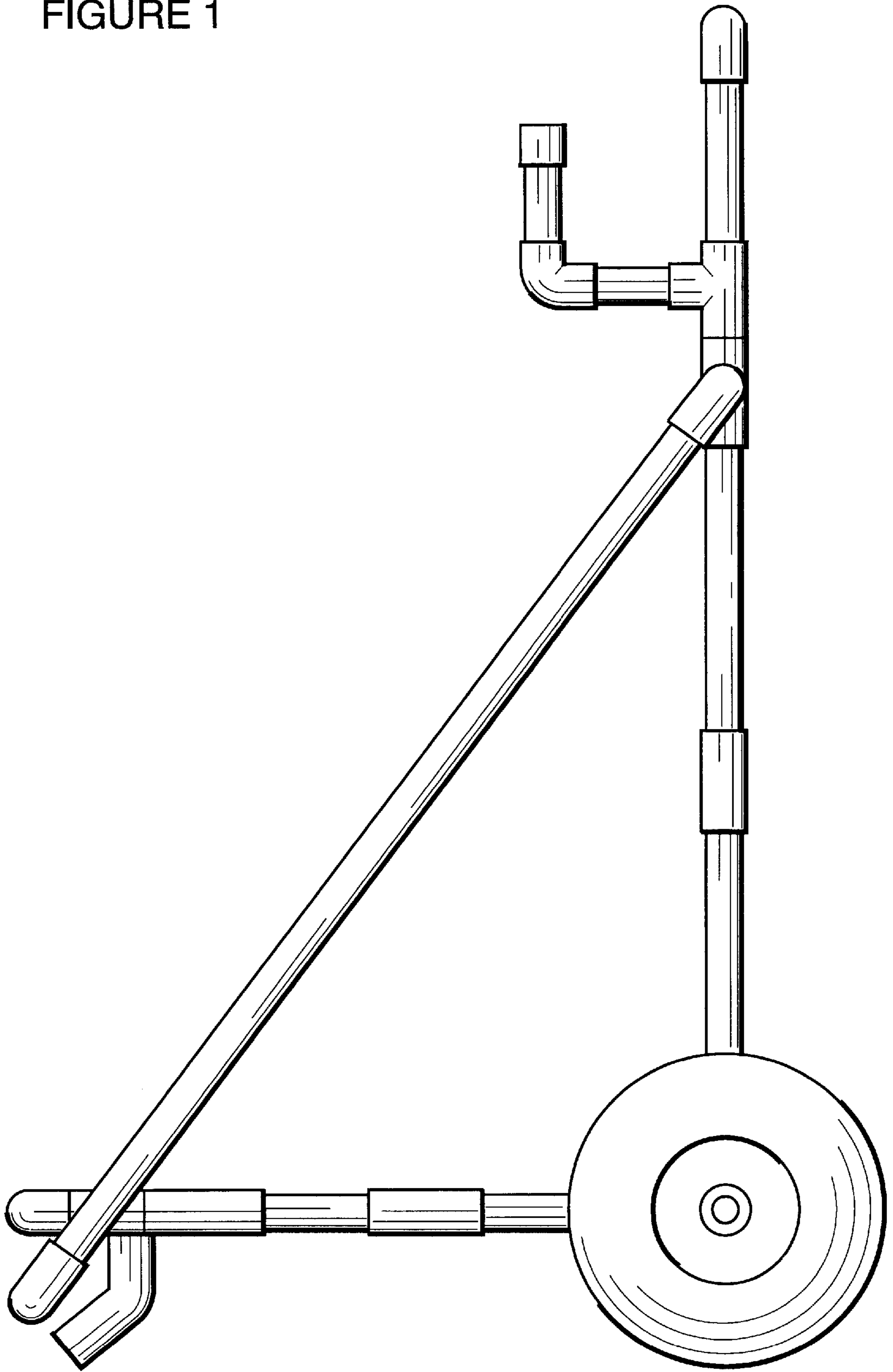


FIGURE 2

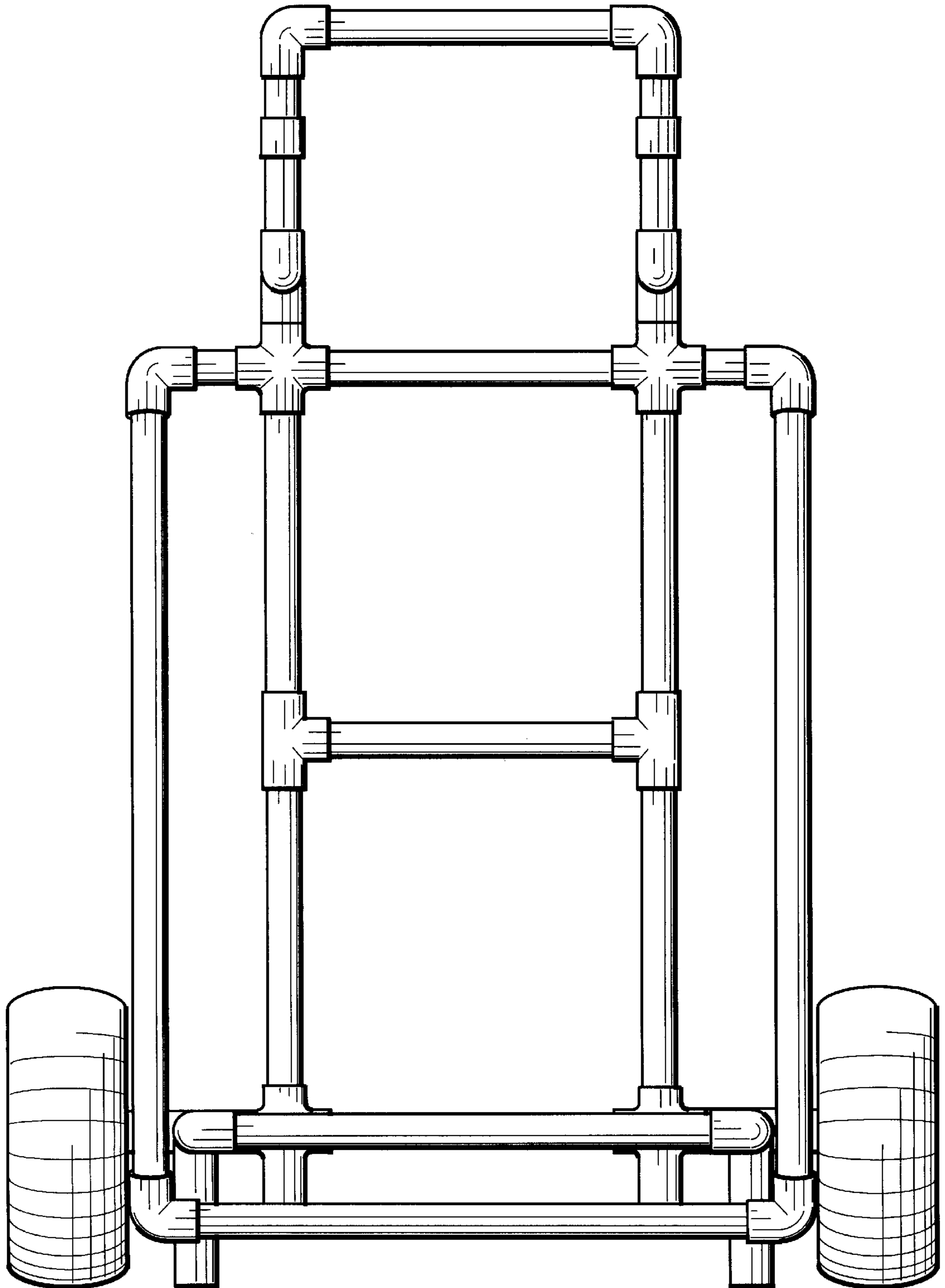


FIGURE 3

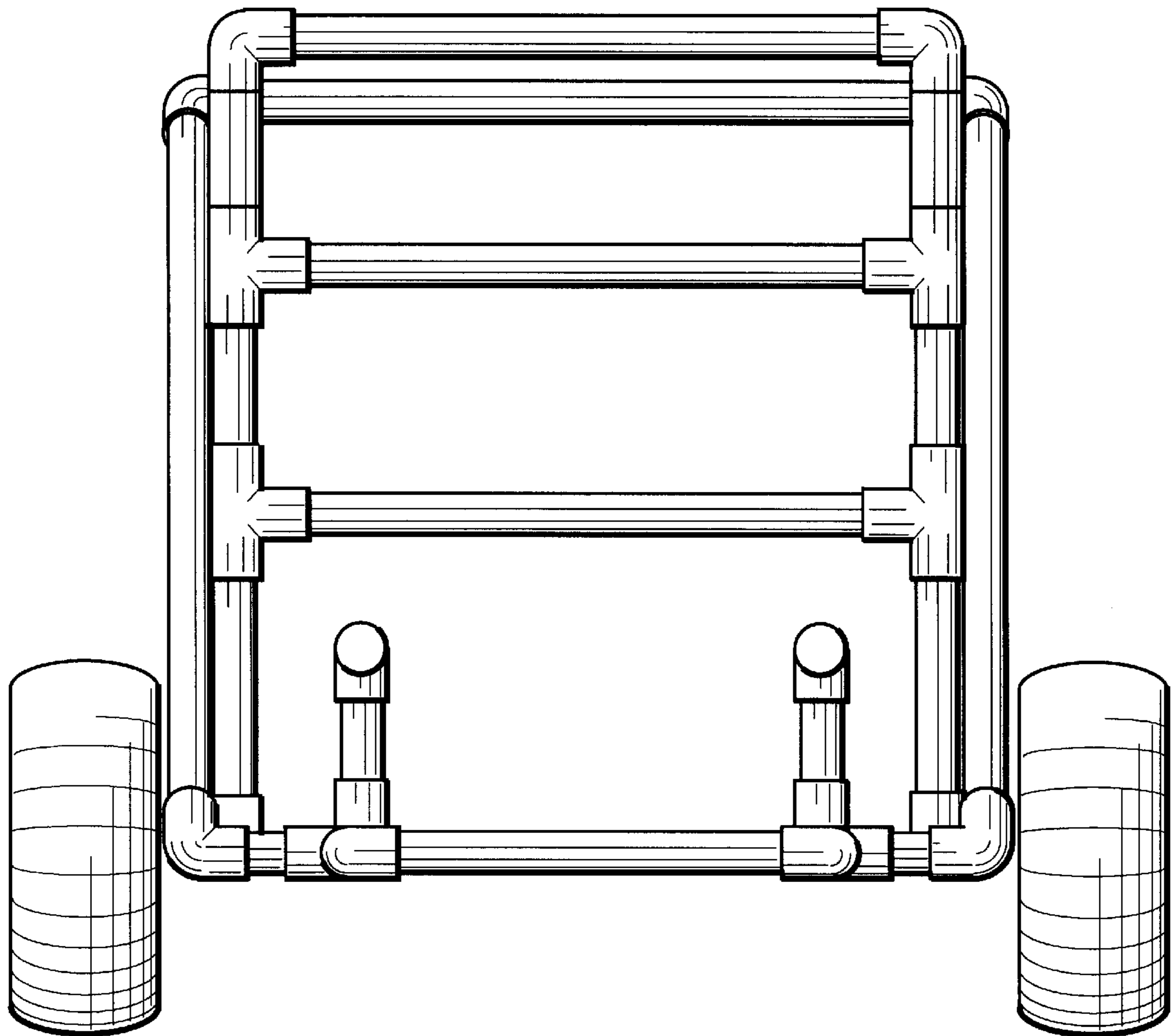


FIGURE 4

