



US00D409344S

# United States Patent [19]

[11] Patent Number: Des. 409,344

Whiteside et al.

[45] Date of Patent: \*\* May 4, 1999

[54] **CREEPER**

[75] Inventors: **Kirt E. Whiteside**, Marion; **Terry L. Whiteside**; **Robert E. Whiteside**, both of Delaware; **Robert E. Studer**, New Washington, all of Ohio

[73] Assignee: **Whiteside Mfg. Co.**, Delaware, Ohio

[\*\*] Term: **14 Years**

[21] Appl. No.: **29/091,654**

[22] Filed: **Aug. 3, 1998**

[51] **LOC (6) Cl.** ..... **12-02**

[52] **U.S. Cl.** ..... **D34/23**

[58] **Field of Search** ..... D34/12-27; 280/32.5, 280/32.6, 79.11, 79.2, 79.7

[56] **References Cited**

**U.S. PATENT DOCUMENTS**

D. 230,971	3/1974	Shanklin	.....	D14/3 M
D. 325,799	4/1992	Chen	.....	D34/23
D. 330,619	10/1992	Gilbert et al.	.....	D34/23
D. 351,707	10/1994	Pill	.....	D34/23
D. 396,920	8/1998	Whiteside et al.	.....	D34/23
D. 398,433	9/1998	Whiteside et al.	.....	D34/23
5,174,592	12/1992	Pool	.....	280/32.6
5,330,209	7/1994	Pool	.....	280/32.6

**OTHER PUBLICATIONS**

- Rel Products Incorporated advertisement, cover and 2 pages (undated).
- P&B Mfg. Co. "Blue Max" advertisement, 1 page (1990).
- Lisle "Creepers" advertisement, pp. 44 and 45 (undated).
- E-Z Red "E-Z Rider" advertisement, 1 page (undated).
- Wilmar Corporation "PT Performance Tool" product catalog, 2 pages (1996).
- Petersen Automotive—Flambeau advertisement, 2 pages (undated).
- United Auto Systems (Mack Tools) "Creepers" advertisement, 1 page (undated).
- Whiteside Catalog advertisement, cover and 4 pages (1993).
- Whiteside Catalog advertisement, cover and 3 pages (1995).

*Primary Examiner*—Kay H. Chin

*Attorney, Agent, or Firm*—Renner, Kenner, Greive, Bobak, Taylor & Weber

[57] **CLAIM**

The ornamental design for a creeper, as shown and described.

**DESCRIPTION**

FIG. 1 is a top, rear, left side perspective view of a creeper showing our new design;

FIG. 2 is a top plan view thereof;

FIG. 3 is a bottom plan view thereof;

FIG. 4 is a right side elevational view thereof, the left side being a mirror image of FIG. 4;

FIG. 5 is a front elevational view thereof; and,

FIG. 6 is a rear elevational view thereof.

FIG. 7 is a bottom plan view of a second embodiment of the creeper;

FIG. 8 is a right side elevational view of FIG. 7, the left side being a mirror image of that shown, and all other views of this embodiment being the same as FIGS. 1, 2, 5 and 6;

FIG. 9 is a bottom plan view of a third embodiment of the creeper;

FIG. 10 is a right side elevational view of FIG. 9, the left side being a mirror image of that shown, and all other views of this embodiment being the same as FIGS. 1, 2, 5 and 6;

FIG. 11 is a top plan view of a fourth embodiment of the creeper;

FIG. 12 is a bottom plan view of FIG. 11;

FIG. 13 is a right side elevational view of FIG. 11, the left side being a mirror image of that shown;

FIG. 14 is a front elevational view of FIG. 11;

FIG. 15 is a rear elevational view of FIG. 11;

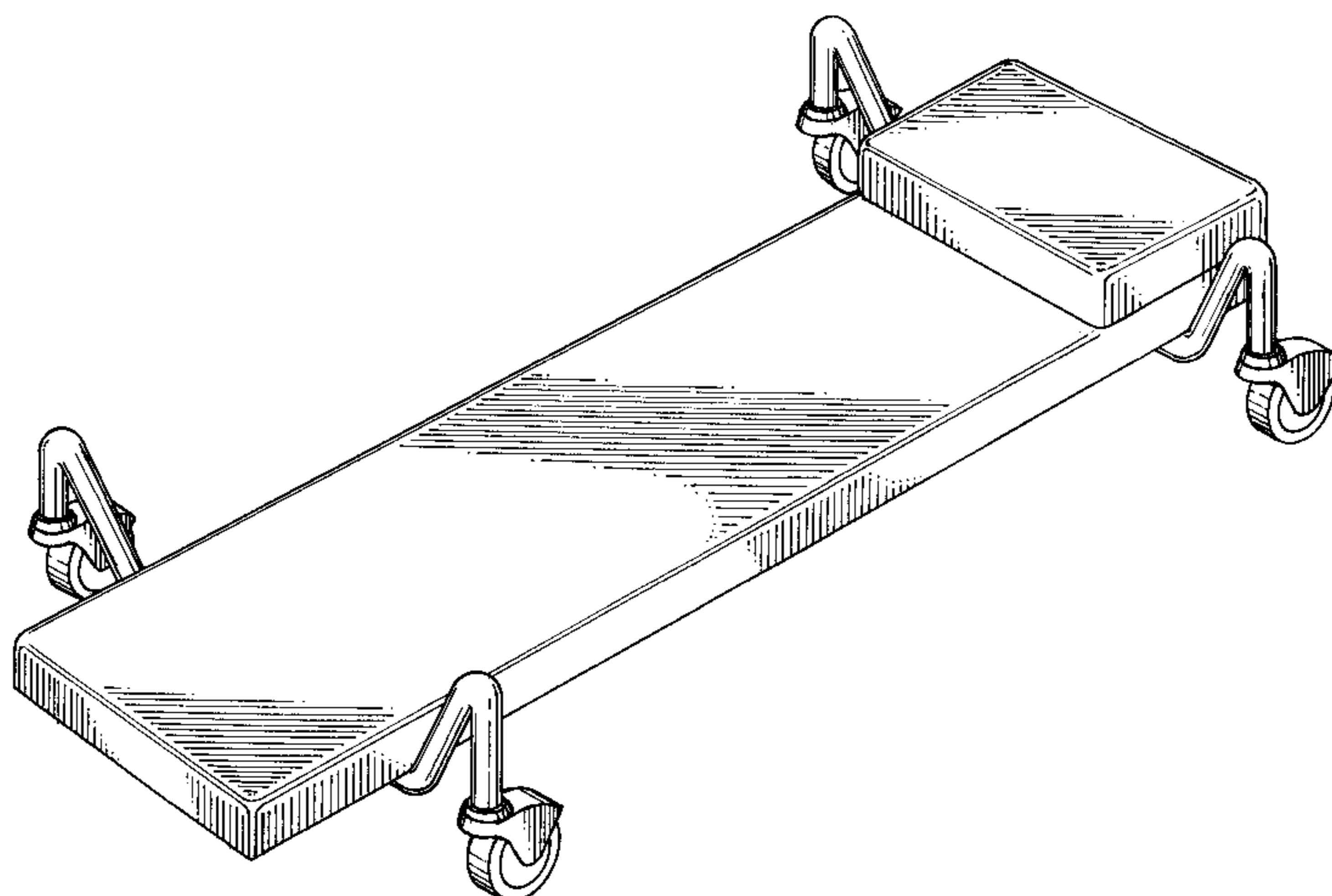
FIG. 16 is a bottom plan view of a fifth embodiment of the creeper;

FIG. 17 is a right elevational view of FIG. 16, the left side being a mirror image of that shown, and all other view of this embodiment being the same as FIGS. 11, 14 and 15;

FIG. 18 is a bottom plan view of sixth embodiment of the creeper; and,

FIG. 19 is a right side elevational view of FIG. 18, the left side being a mirror image of that shown, and all other views of this embodiment being the same as FIGS. 11, 14 and 15.

**1 Claim, 11 Drawing Sheets**



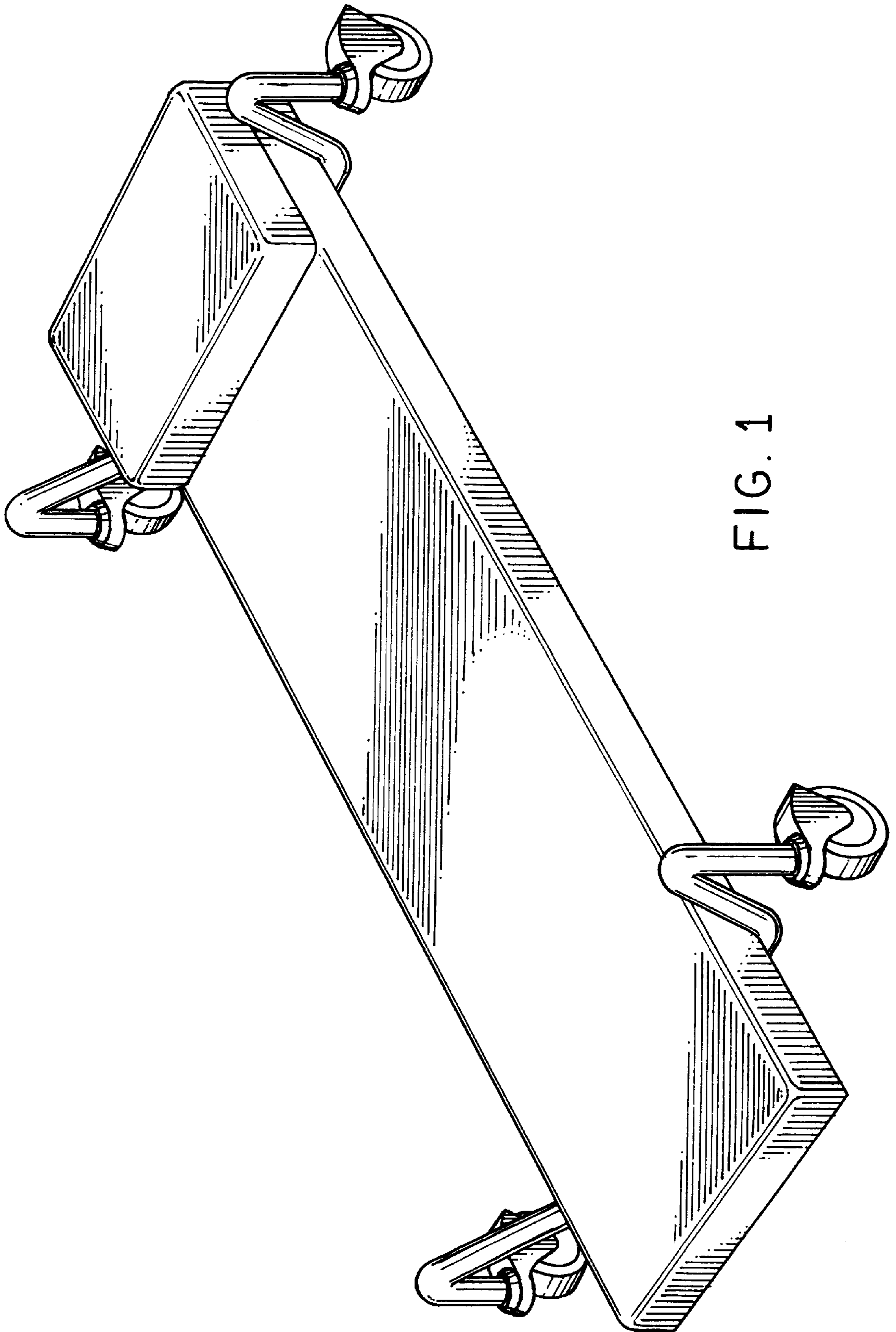


FIG. 1

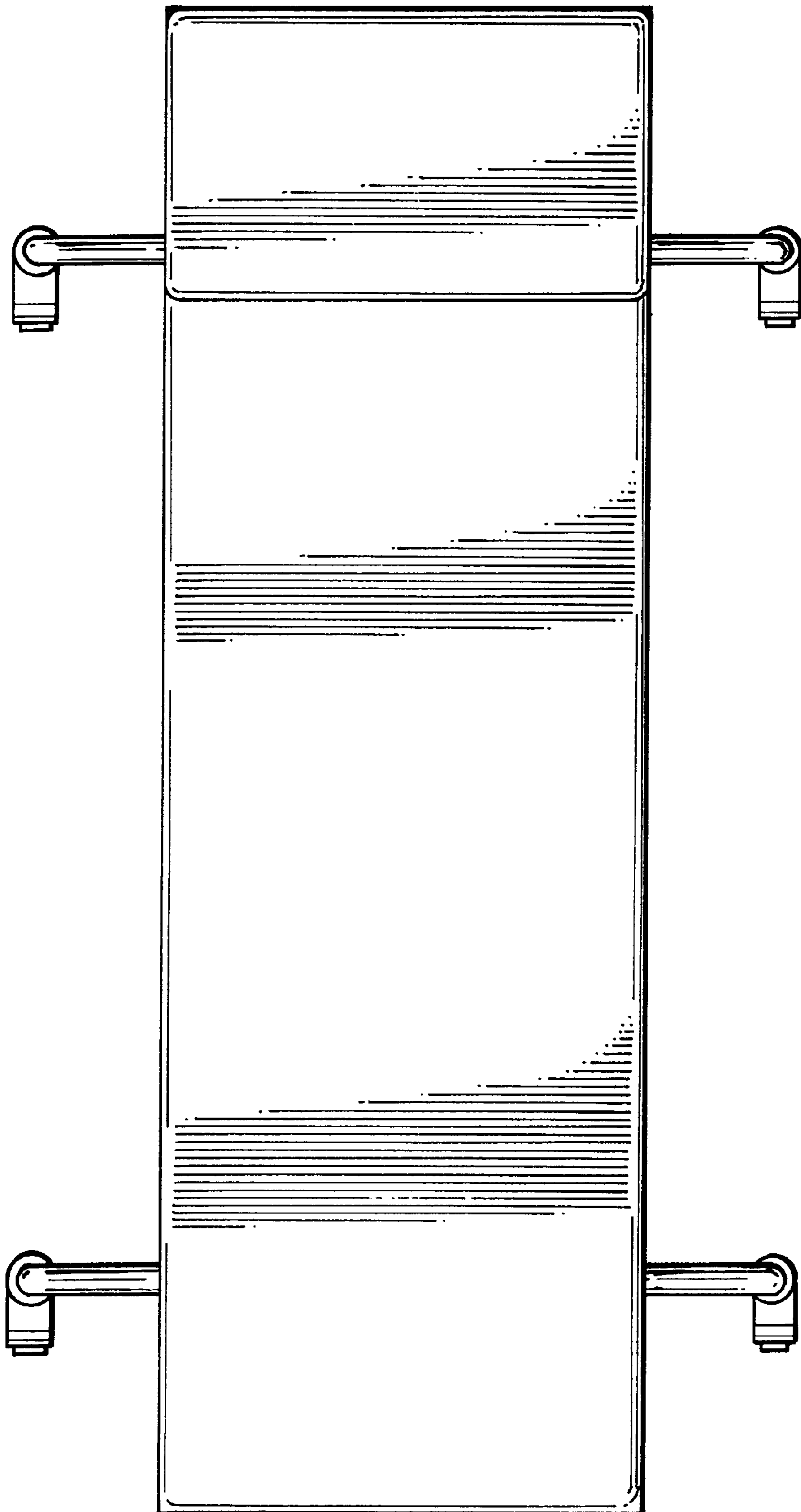


FIG. 2

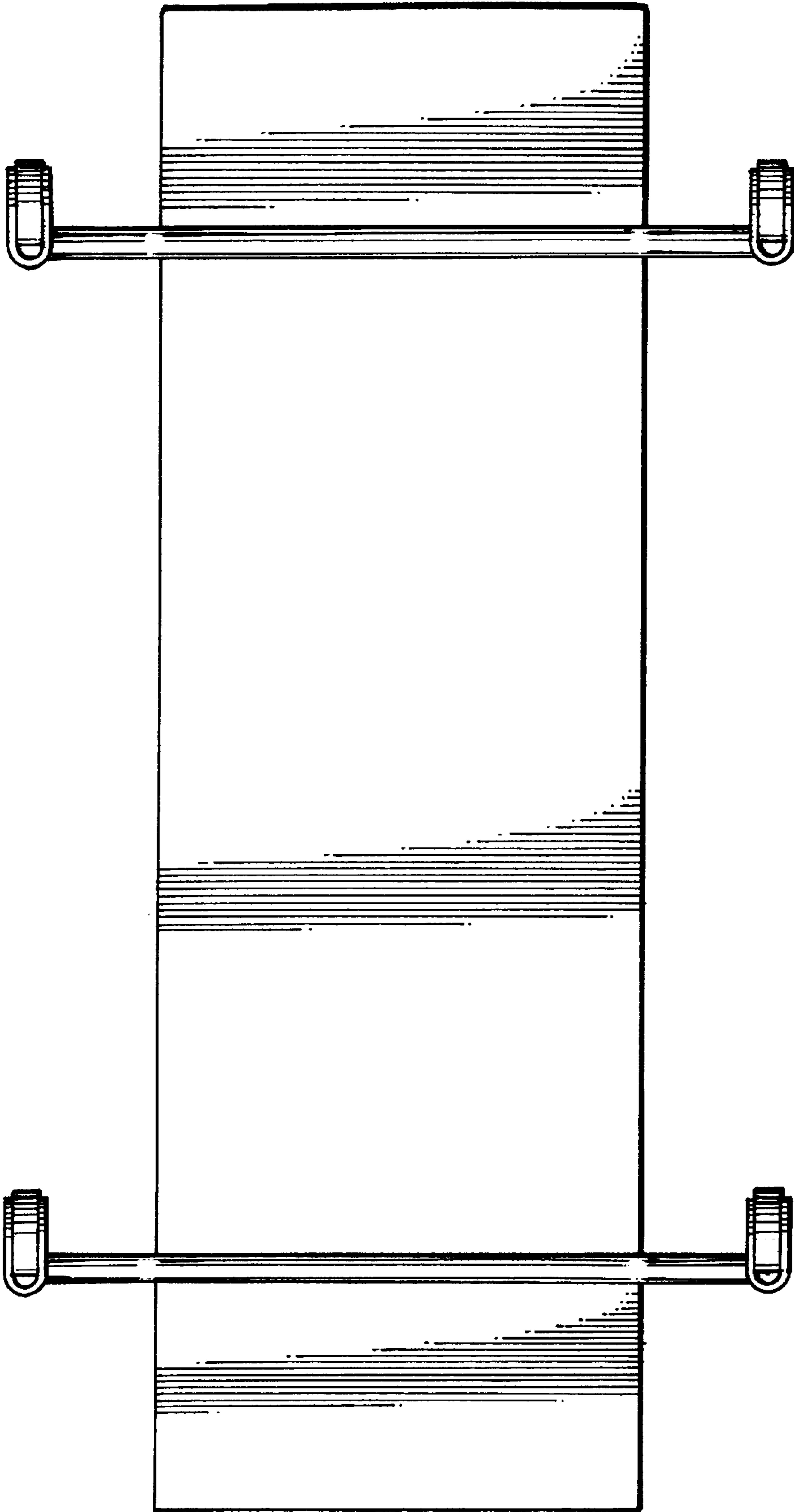


FIG. 3

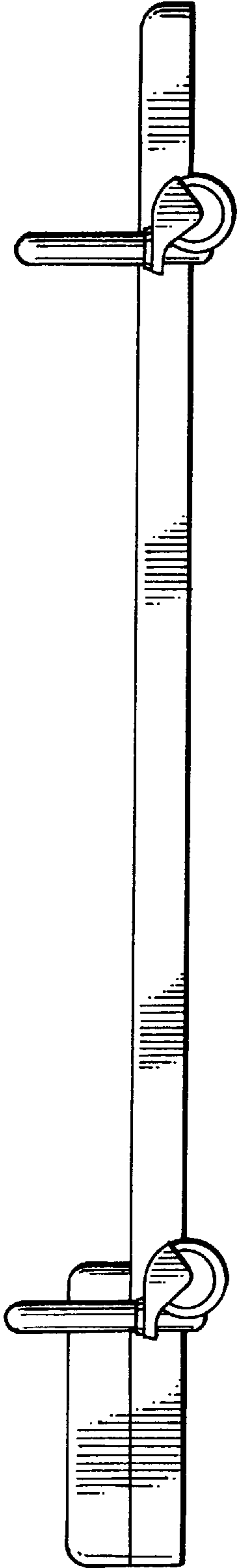


FIG. 4

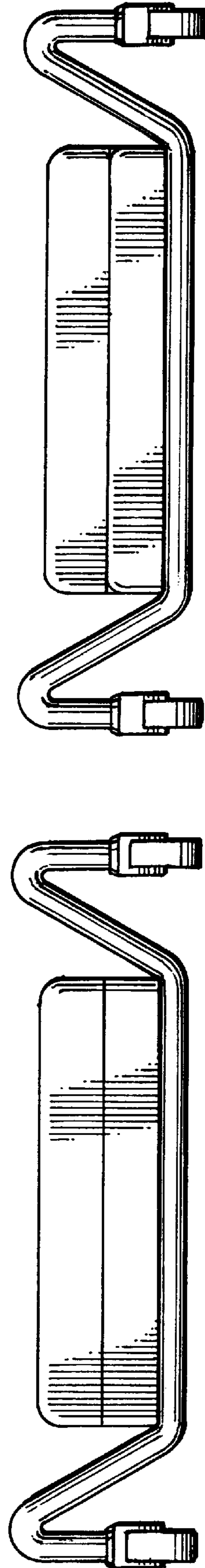


FIG. 5

FIG. 6

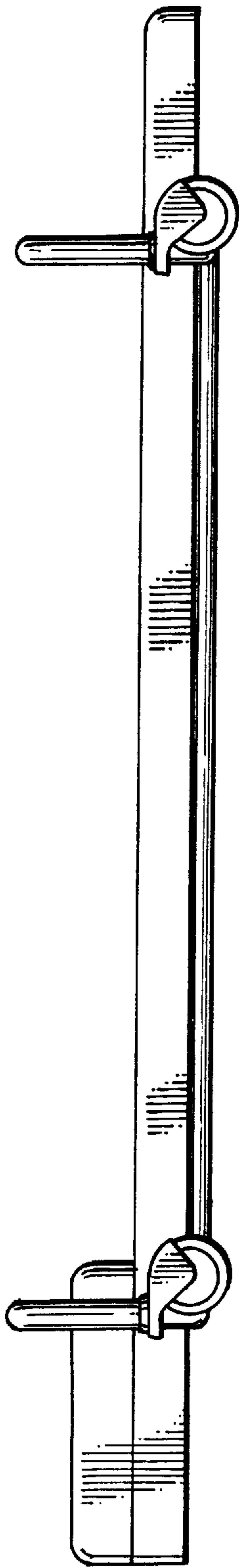


FIG. 8

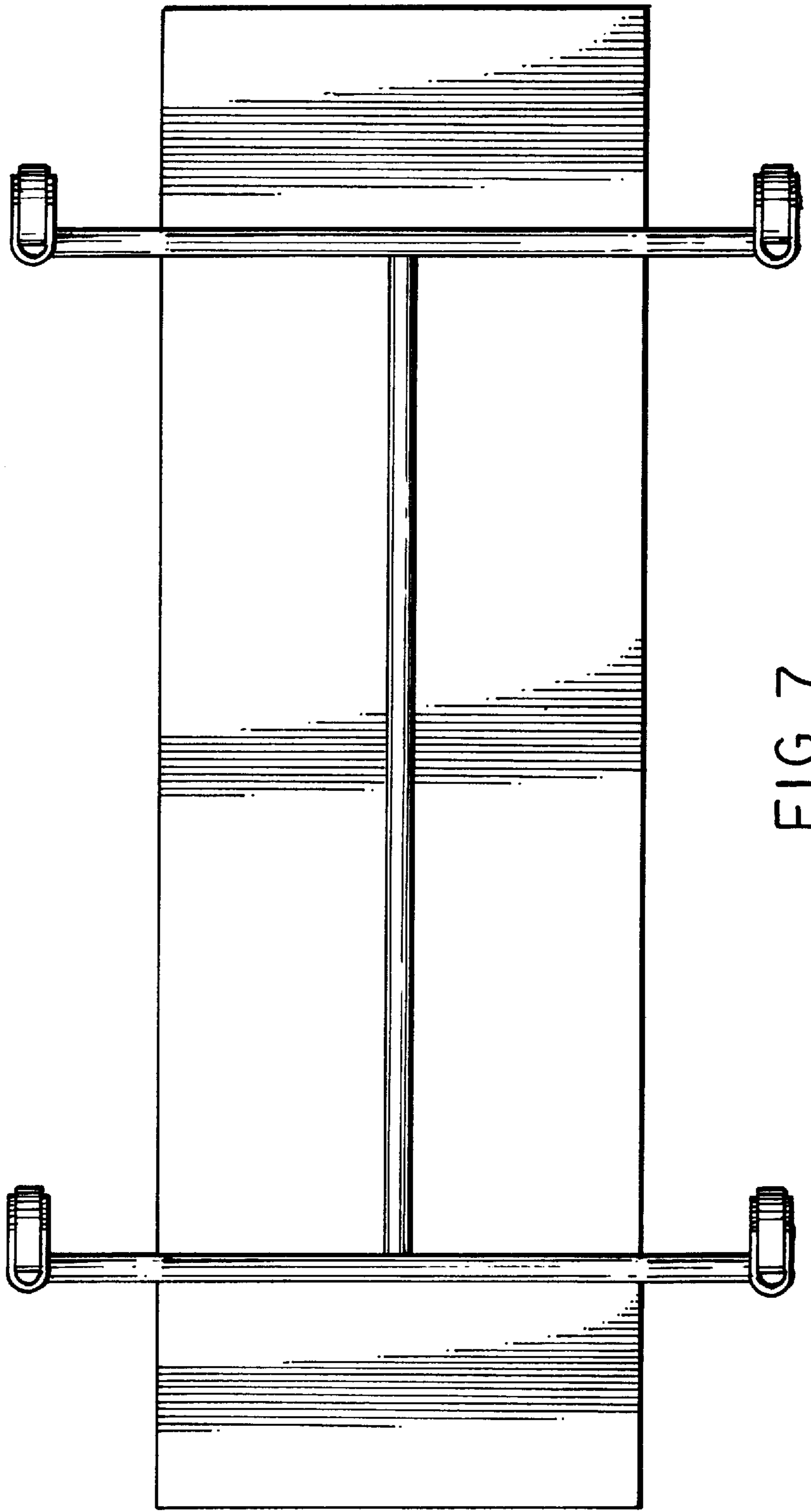


FIG. 7

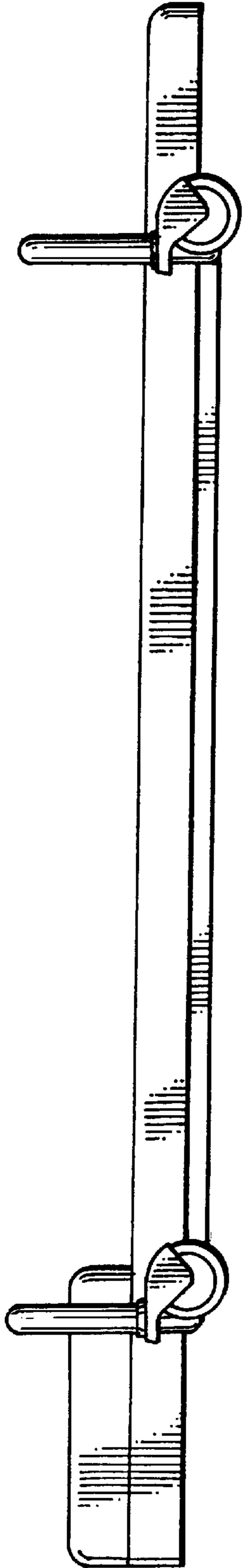


FIG. 10

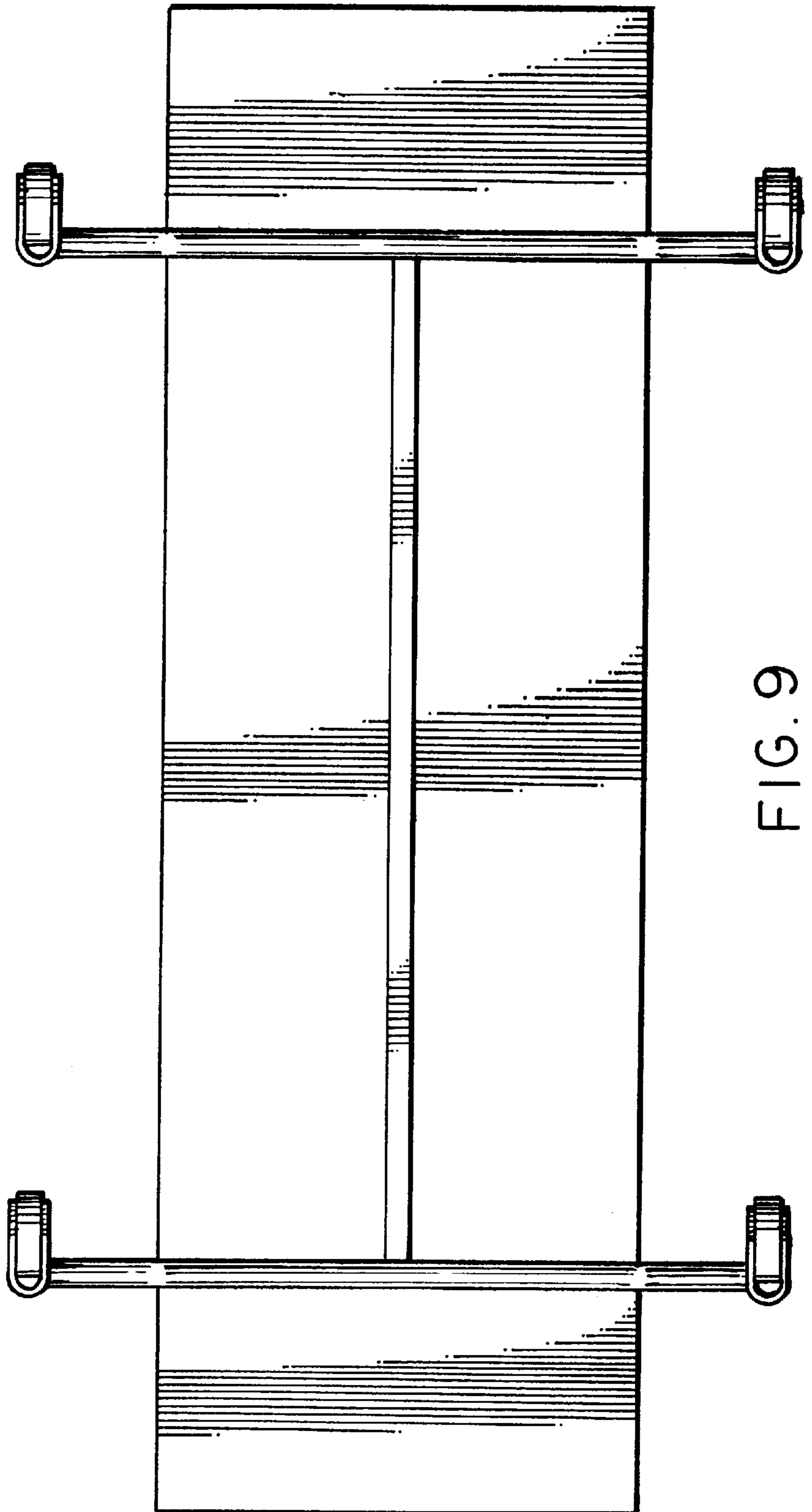


FIG. 9

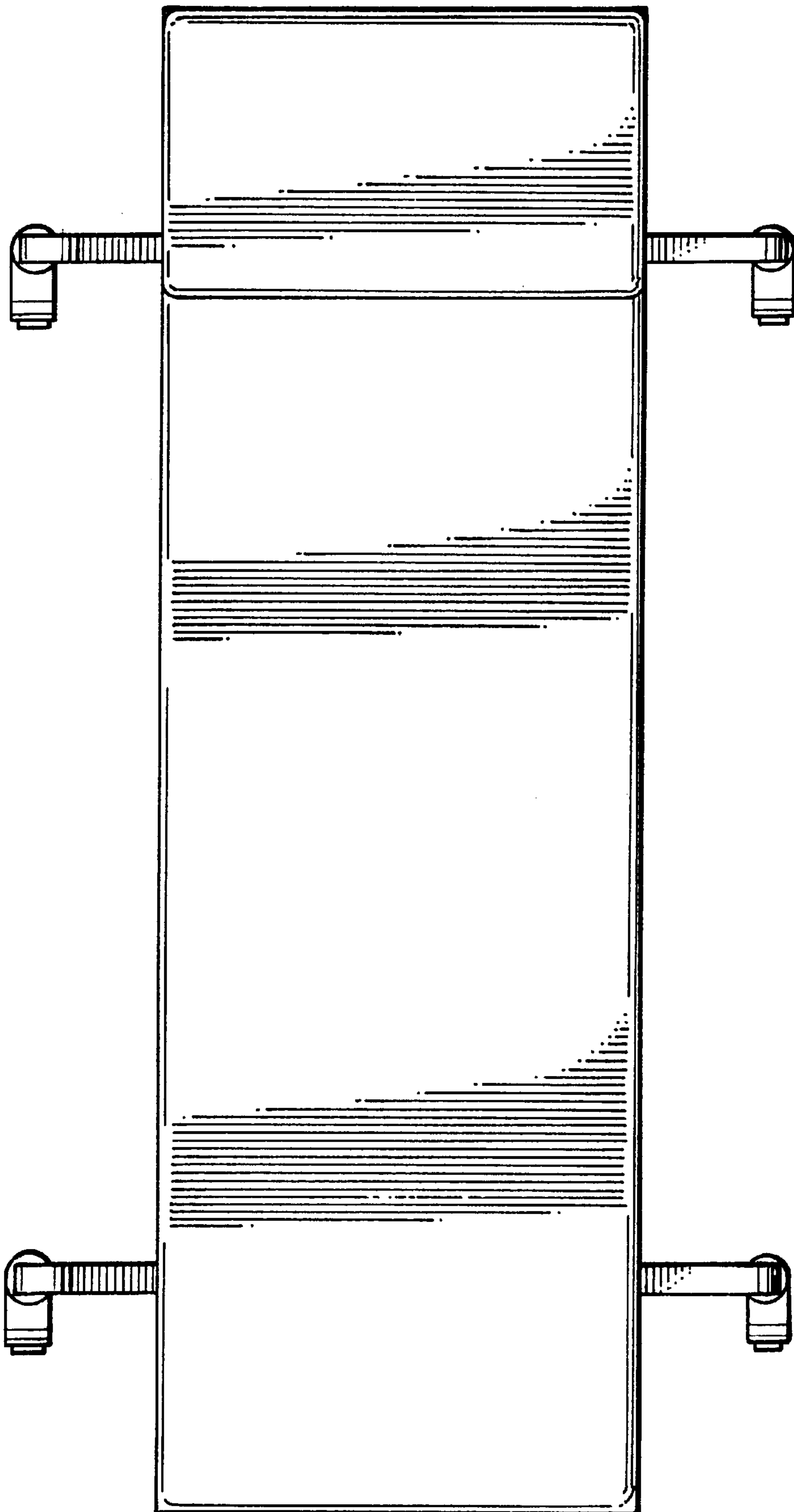


FIG. 11



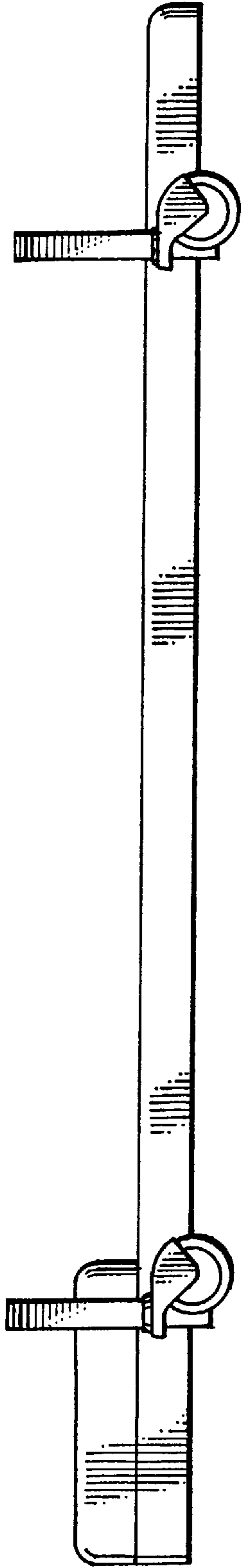


FIG. 13

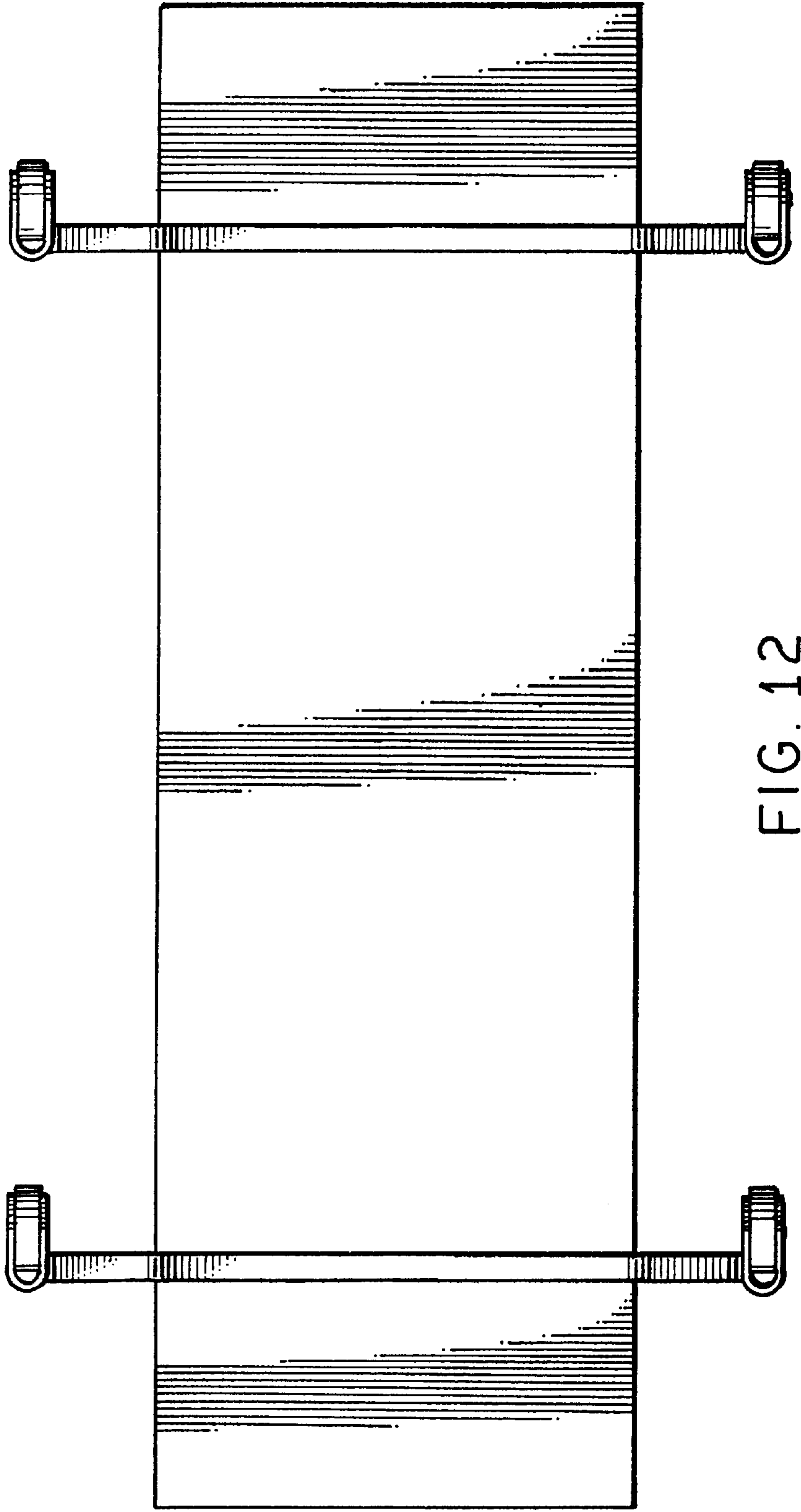


FIG. 12

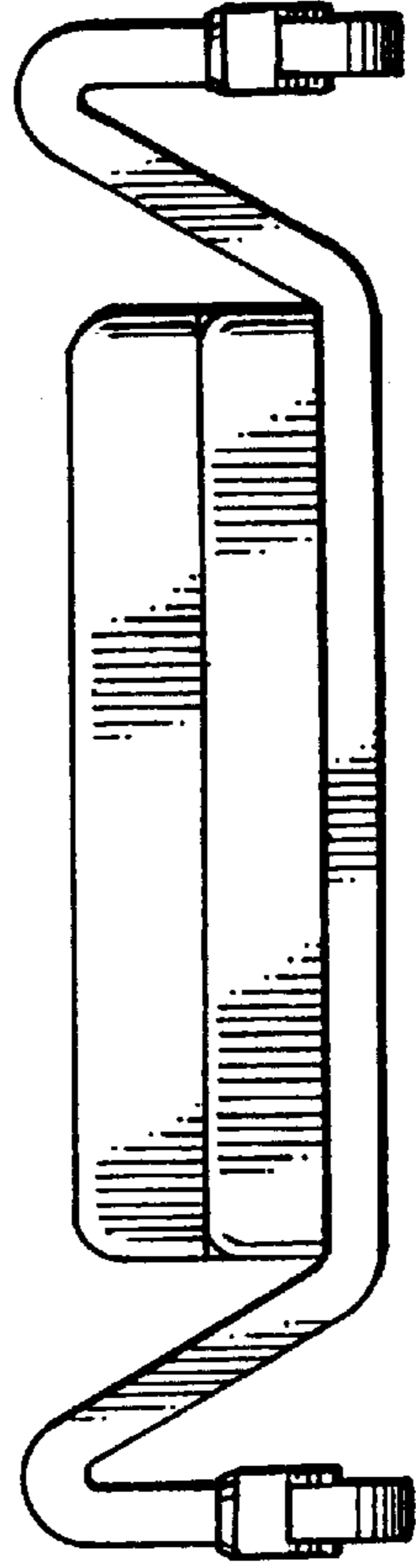


FIG. 15

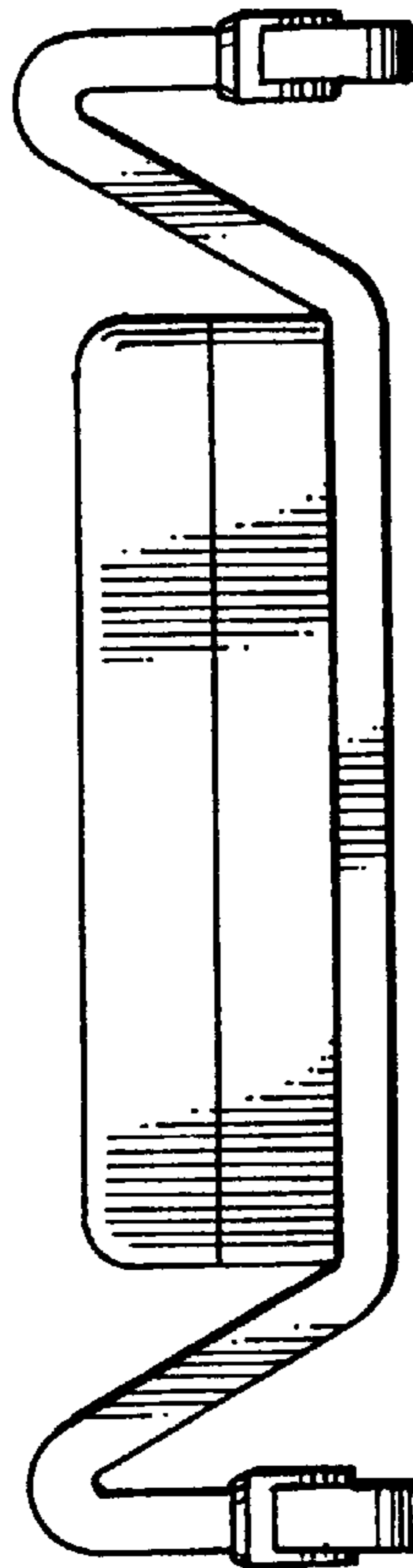


FIG. 14

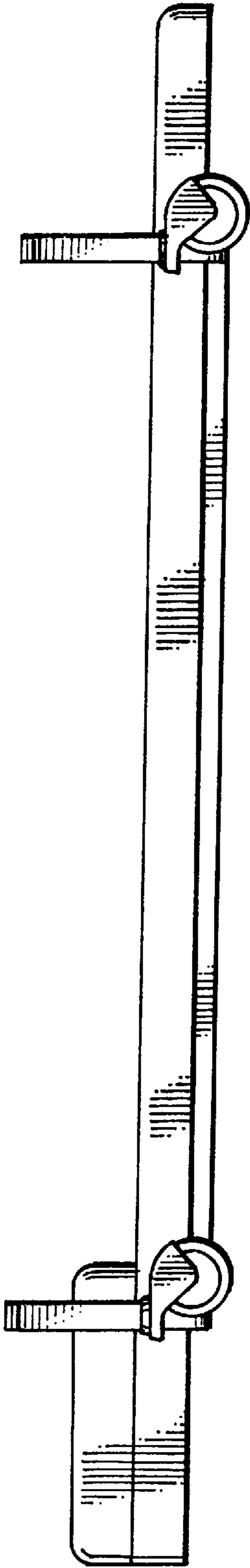


FIG. 17

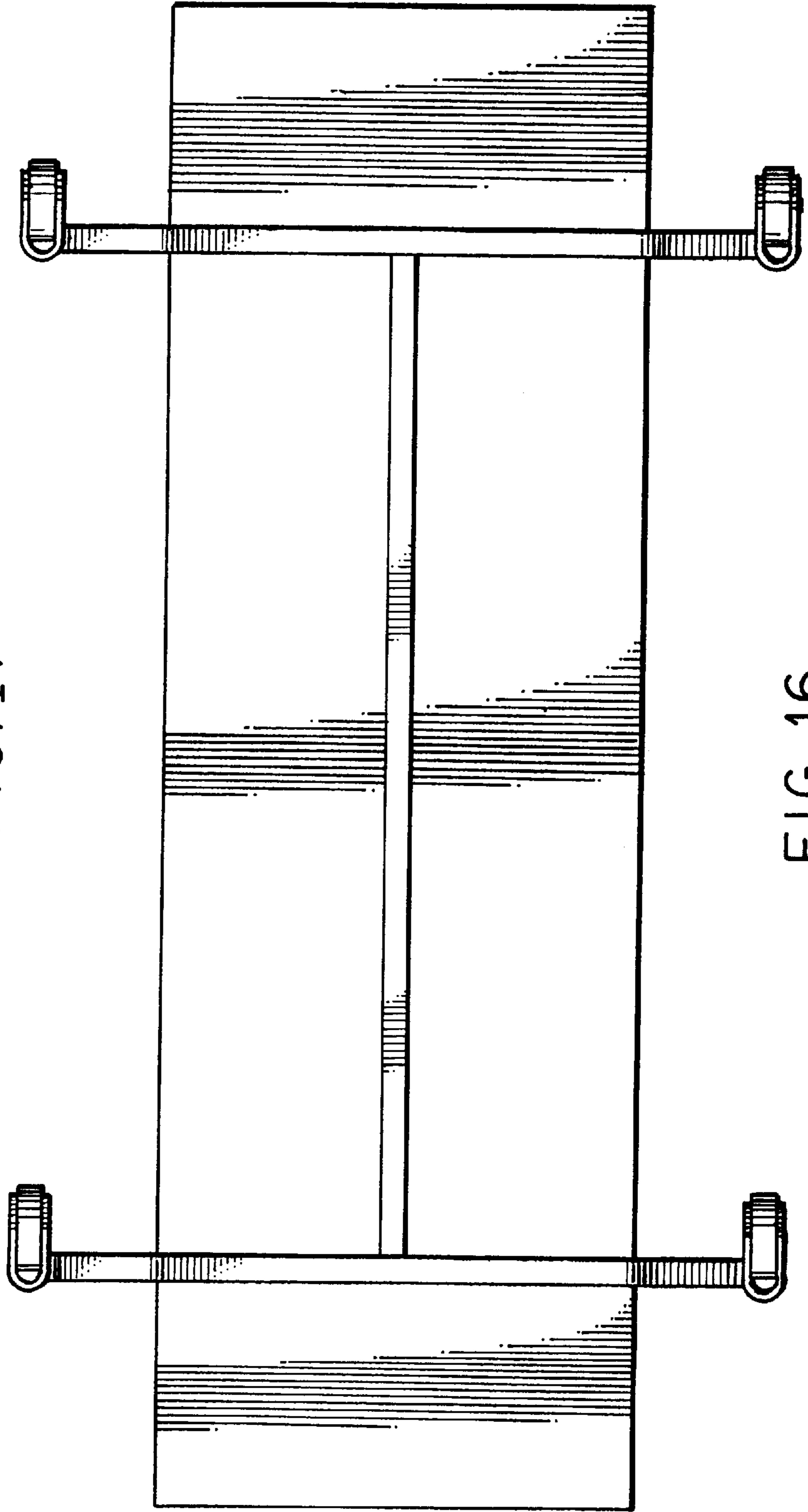


FIG. 16

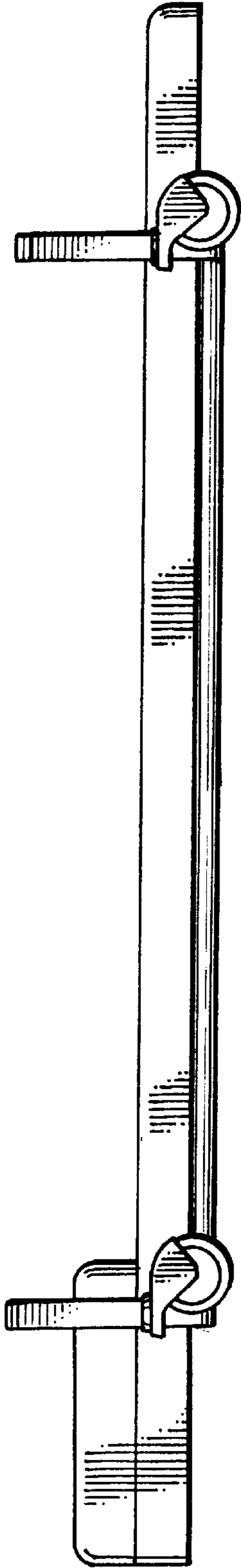


FIG. 19

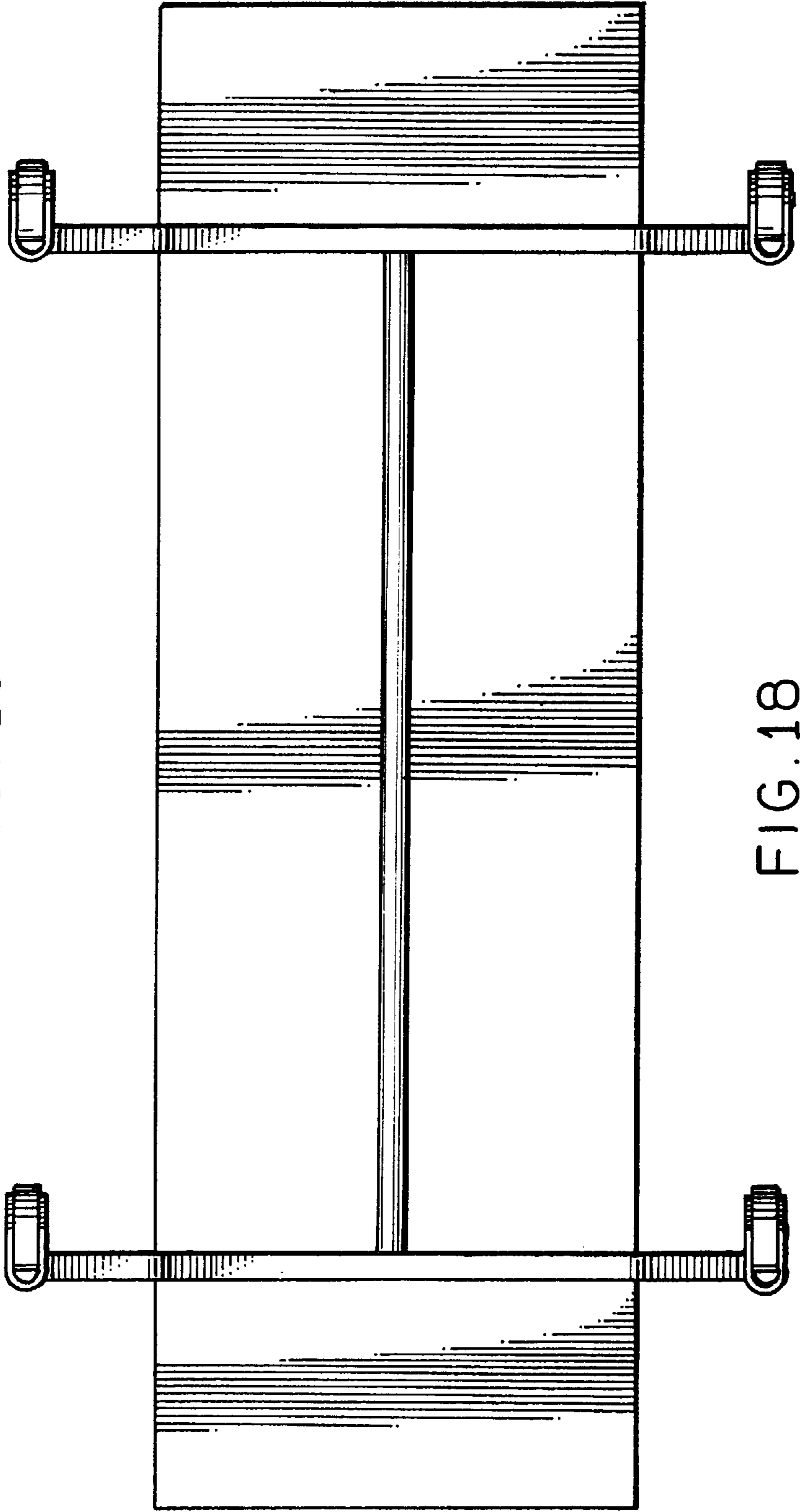


FIG. 18