



US00D409341S

United States Patent [19]

Van Etten et al.

[11] Patent Number: **Des. 409,341**

[45] Date of Patent: **** May 4, 1999**

[54] **MOUNTING COLLAR FOR A POOL CLEANER FILTER BAG**

4,575,423 3/1986 Alanis et al. .
4,589,986 5/1986 Greskovics et al. .
4,618,420 10/1986 Alanis .
5,603,135 2/1997 Jones et al. .

[75] Inventors: **Mark D. Van Etten**, Temecula;
Thomas E. Veloskey, San Marcos;
Timothy D. Herlehy, San Diego; **Isian S. Monge**, Vista, all of Calif.

Primary Examiner—Mitchell I. Siegel
Attorney, Agent, or Firm—Kelly Bauersfeld; Lowry & Kelly, LLP

[73] Assignee: **Polaris Pool Systems, Inc.**, San Marcos, Calif.

[57] CLAIM

[**] Term: **14 Years**

The ornamental design for a mounting collar for a pool cleaner filter bag, as shown and described.

[21] Appl. No.: **29/075,926**

DESCRIPTION

[22] Filed: **Aug. 29, 1997**

FIG. 1 is a perspective view showing the mounting collar for pool cleaner filter bag embodying our new design; FIG. 2 is a right side elevational view thereof, the left side elevation being a mirror image of the right side as shown; FIG. 3 is a front elevation view thereof; FIG. 4 is a rear elevation view thereof; FIG. 5 is a top plan view thereof; FIG. 6 is a bottom plan view thereof; and, FIG. 7 is a perspective view thereof.

[51] **LOC (6) Cl.** **15-05**

[52] **U.S. Cl.** **D32/25**

[58] **Field of Search** D32/20-25, 31;
15/1.7; 55/374, 376; 210/169

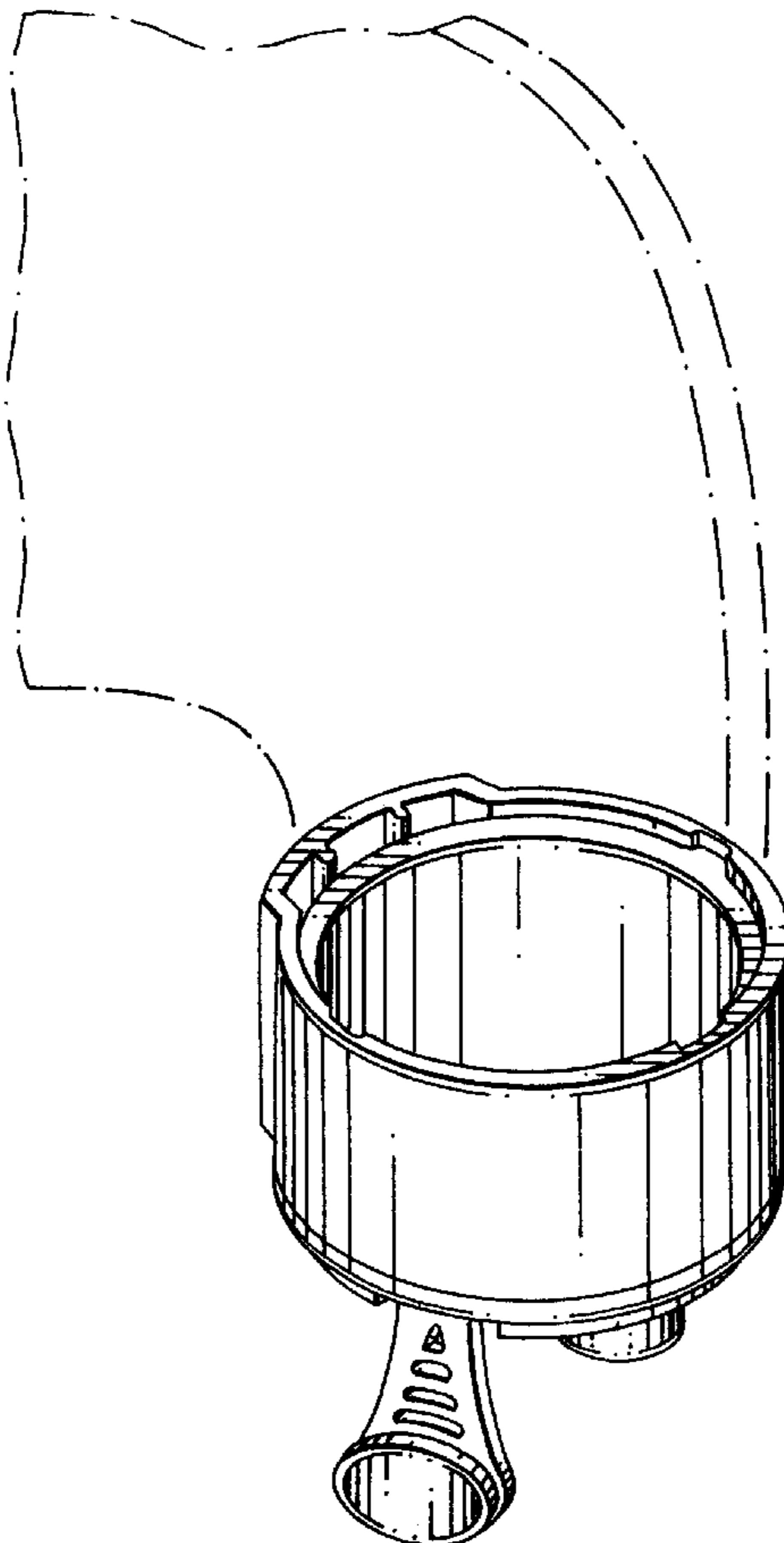
The broken line showing pool cleaner and bag is for illustrative purposes only and forms no part of the claimed design.

[56] References Cited

U.S. PATENT DOCUMENTS

- D. 288,373 2/1987 Alanis .
- D. 294,963 3/1988 Alanis et al. .
- 1,823,726 9/1931 Carson D32/19 X
- 3,822,754 7/1974 Henkin et al. .
- 4,558,479 12/1985 Greskovics et al. .

1 Claim, 2 Drawing Sheets



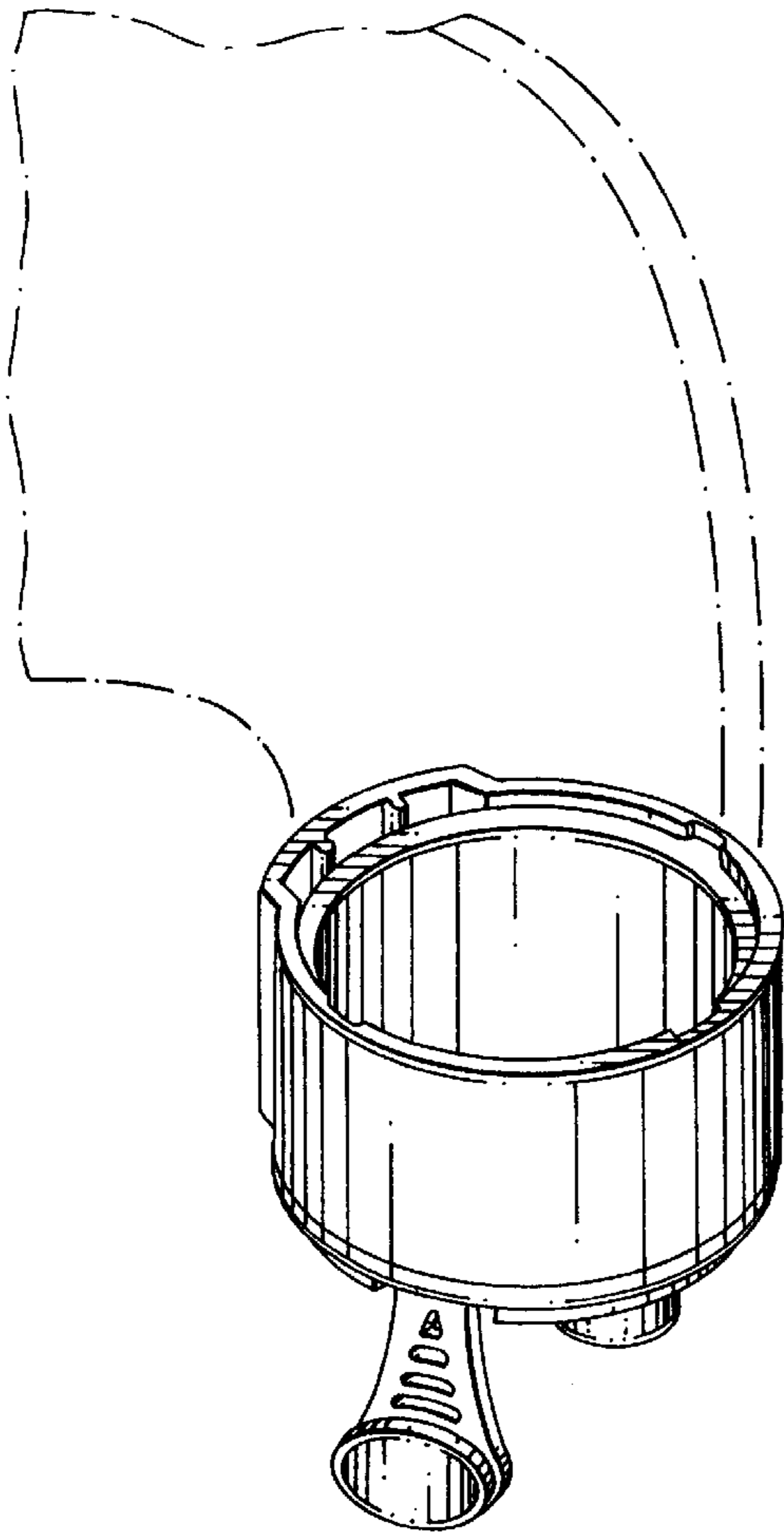


FIG. 1

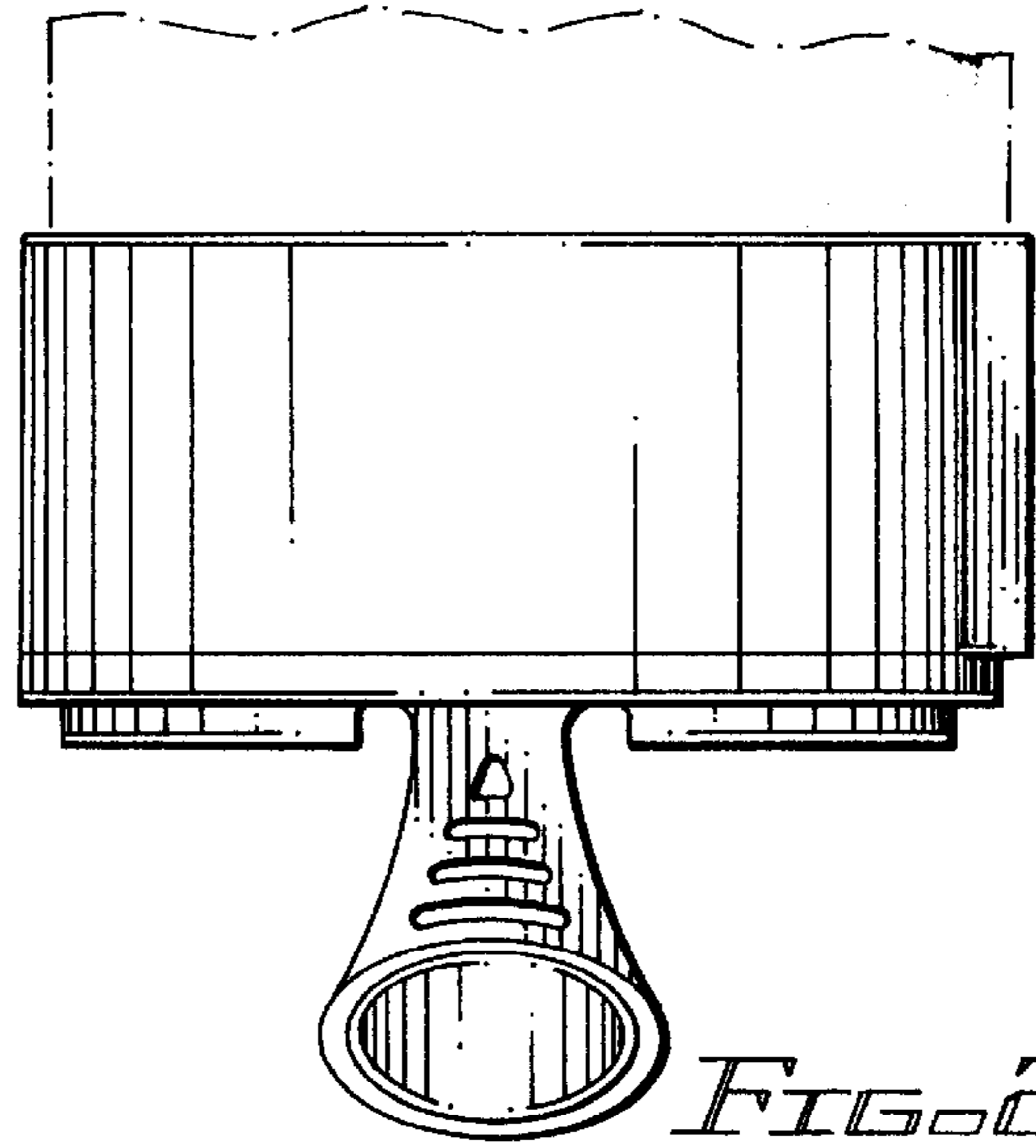


FIG. 2

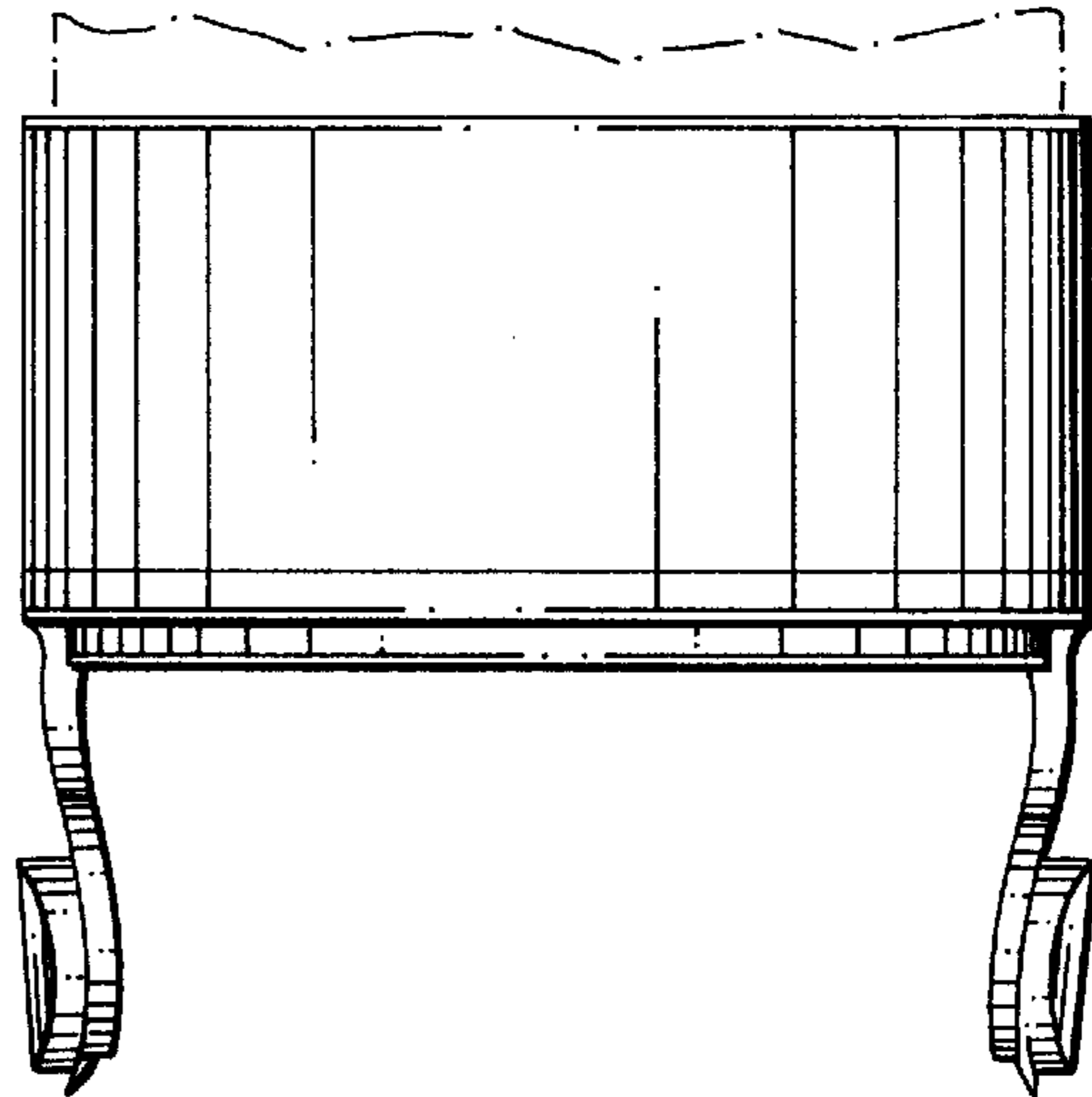


FIG. 3

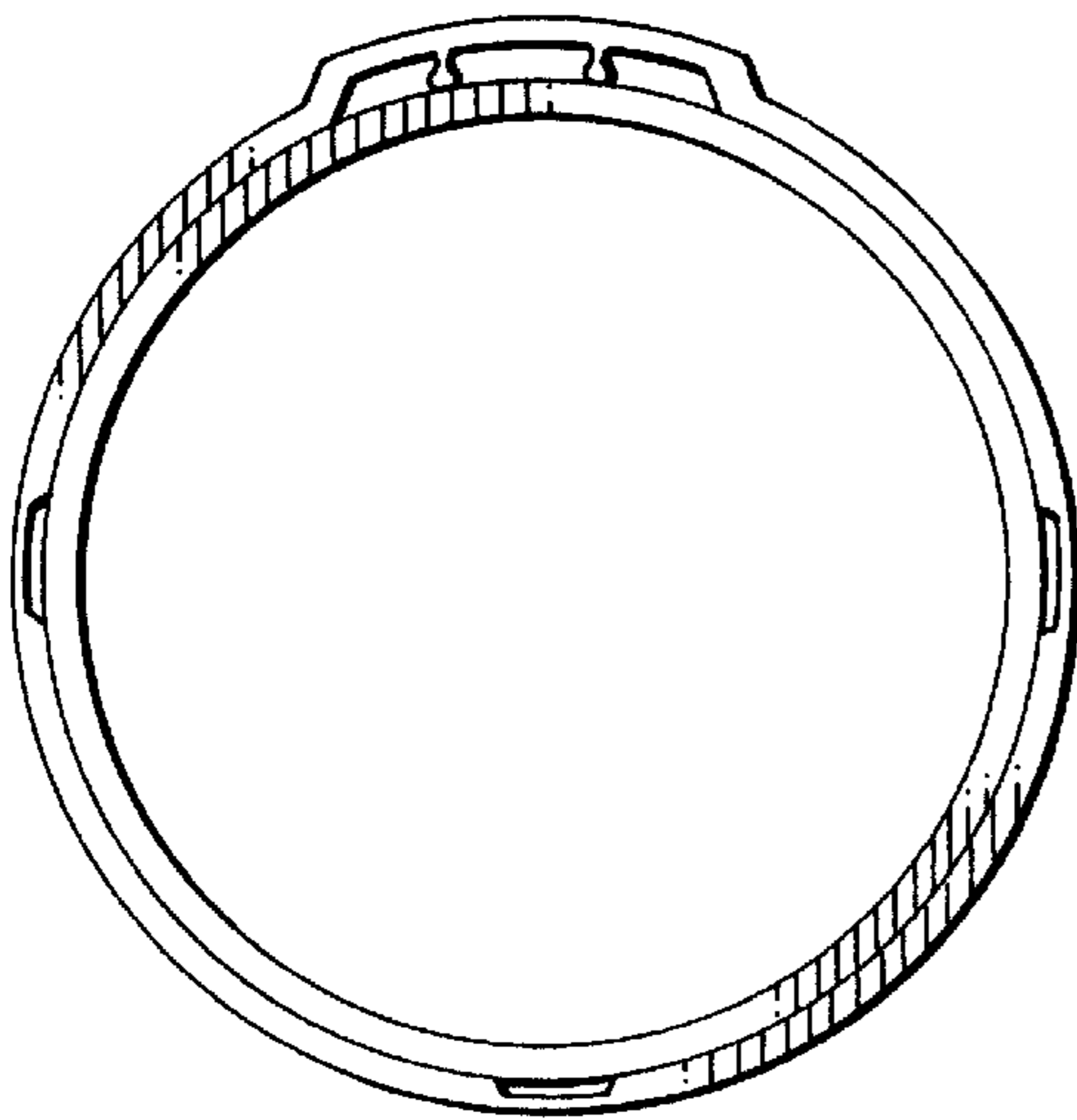


FIG. 5

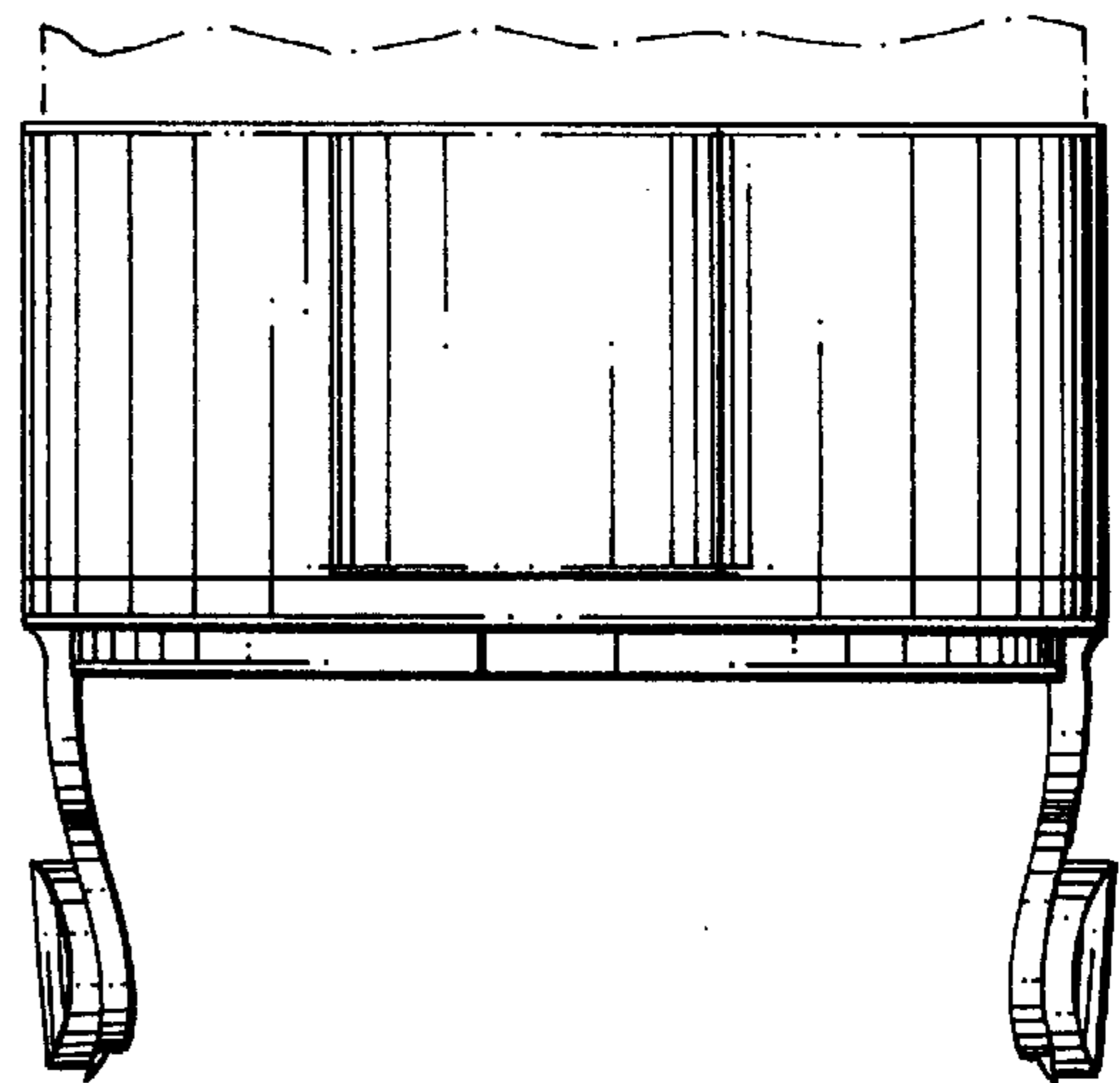


FIG. 4

