



US00D409340S

United States Patent [19]

[11] Patent Number: Des. 409,340

Winter et al.

[45] Date of Patent: ** May 4, 1999

[54] HUB

1245373 9/1971 United Kingdom .
2 084 059 4/1982 United Kingdom .
2 114 925 9/1983 United Kingdom .

[75] Inventors: **Phillip M. Winter; Charles B. Dousette; Jerome M. Fried**, all of St. Paul, Minn.

OTHER PUBLICATIONS

[73] Assignee: **Minnesota Mining and Manufacturing Company**, St. Paul, Minn.

Brochure entitled "3M Special Introductory Offer New Scotch-Brite™ EXL Deburring and Finishing Wheels for Bench Motors", 61-5000-9073-4-R, ©1991.

[**] Term: **14 Years**

Brochure entitled 3M Products for Bench Area Operations, 61-5000-7369, ©1990.

[21] Appl. No.: **29/084,066**

Brochure entitled "3M Heavy Duty Roto Peen", 61-5001-3051-5 (461.5)ii, ©3M 1996.

[22] Filed: **Feb. 23, 1998**

Brochure entitled "Deburr, Clean, Blend or Polish in Small, Confined Areas", 61-5000-8204-7, ©3M 1990.

[51] LOC (6) Cl. **15-05**

The Eraser® Astro's Answer to Pinstripping & Adhesive Removal, Astro Pneumatic Tool Company.

[52] U.S. Cl. **D31/25**

Brochure entitled "3M Mandrels 990 Series", 61-5001-1066-5(92.3)R4, 3M Abrasive Systems Division.

[58] Field of Search D32/15-20, 25; 15/179, 180, 230; D21/93, 86

Brochure entitled "3M Scotch-Brite Surface Conditioning Unitized Wheels", 61-5001-1039-2 (733.5)ii, 3M Abrasive Systems Division, ©3M 1993.

[56] References Cited

U.S. PATENT DOCUMENTS

D. 333,711	3/1993	Wilson	D32/19
D. 369,447	4/1996	Mann et al.	D32/19 X
D. 378,003	2/1997	Eichinger et al.	D32/25
D. 378,004	2/1997	Wilson et al.	D32/25
D. 381,139	7/1997	Johnson et al.	D32/19 X
D. 394,530	5/1998	Roeker	D32/25
D. 399,620	10/1998	Roeker	D32/25
B 576,859	2/1976	Frank et al.	51/358
856,323	6/1907	Wickes	.	
2,545,453	3/1951	Forss	121/34
2,570,009	10/1951	Schmid	121/34
2,581,567	1/1952	Wiley	51/197
2,594,647	4/1952	Hendrickson	51/135
2,607,232	8/1952	Van Haase	74/16

(List continued on next page.)

FOREIGN PATENT DOCUMENTS

0 469 750	2/1992	European Pat. Off.	.
0 476 272	3/1992	European Pat. Off.	.
1549685	8/1979	Germany	.
3030351	3/1982	Germany	.
3416186	1/1985	Germany	.
624928	6/1949	United Kingdom	.

Brochure entitled "3M Coated Abrasive and Surface Conditioning Products", 61-5001-1636-5.

Japanese reference "Tracer B-1" by MKC with translation. Handbook of Designs and Devices; p. 23, item 206; p. 138, item 1234 and 1236, dated 1946.

Clement Mfg. C.; p. 16; Bruches, middle left of page, dated Jul. 1965.

Primary Examiner—Mitchell I. Siegel

Attorney, Agent, or Firm—James J. Trussell

[57] CLAIM

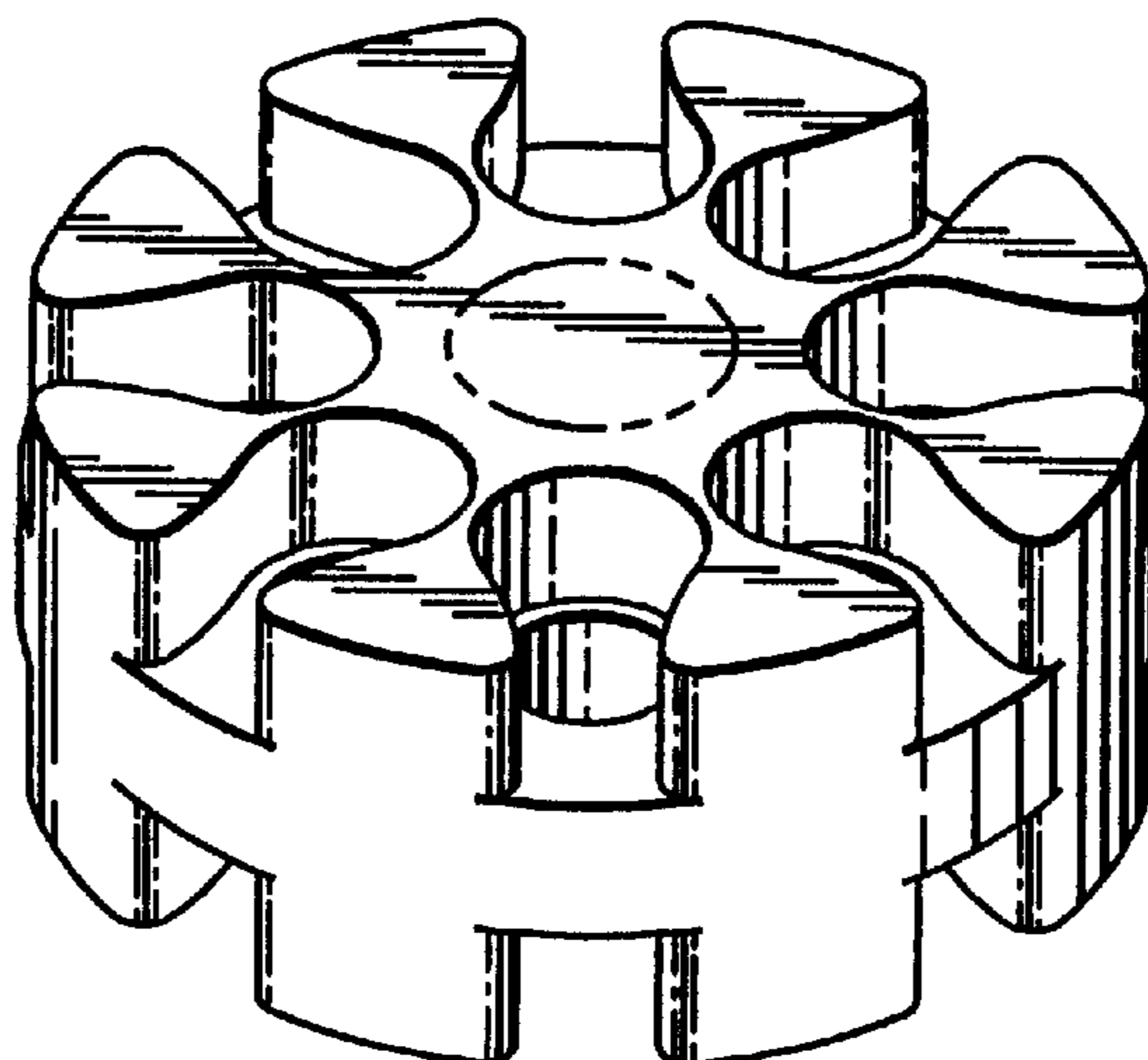
The ornamental design for a hub, as shown and described.

DESCRIPTION

FIG. 1 is an isometric view a hub;
FIG. 2 is a top plan view thereof; and,
FIG. 3 a right side view thereof.

The bottom plan view of the hub is identical to the top plan view. The left side view is identical to the right side view. The broken lines in the drawings are for illustrative purposes only and form no part of the claimed design.

1 Claim, 1 Drawing Sheet



U.S. PATENT DOCUMENTS

2,676,160	4/1954	Ochoa	260/30.6	4,809,467	3/1989	De Fazio	51/358
2,854,286	9/1958	Salick	300/21	4,830,807	5/1989	Warren et al.	264/235
3,395,417	8/1968	Matouka	15/230	4,866,319	9/1989	Crutchfield	310/47
3,562,968	2/1971	Johnson et al.	51/389	4,951,423	8/1990	Johnson	51/168
3,653,858	4/1972	Field	51/378	5,042,207	8/1991	Kirn	51/168
3,924,362	12/1975	McAlear	51/358	5,123,139	6/1992	Leppert et al.	15/230
3,960,516	6/1976	Biardi	51/293	5,190,620	3/1993	Winter	156/344
4,055,897	11/1977	Brix	32/59	5,259,914	11/1993	Fisher	156/584
4,088,729	5/1978	Sherman	264/259	5,269,874	12/1993	Winter	156/584
4,150,955	4/1979	Samuelson	51/298	5,273,558	12/1993	Nelson et al.	51/298
4,525,132	6/1985	Williams	425/117	5,284,039	2/1994	Torgerson	72/53
4,554,765	11/1985	Grimes et al.	51/401	5,332,098	7/1994	Fisher	206/576
4,774,788	10/1988	Shacham et al.	51/168	5,369,916	12/1994	Jefferies et al.	451/532
				5,624,990	4/1997	Vipperman	524/425

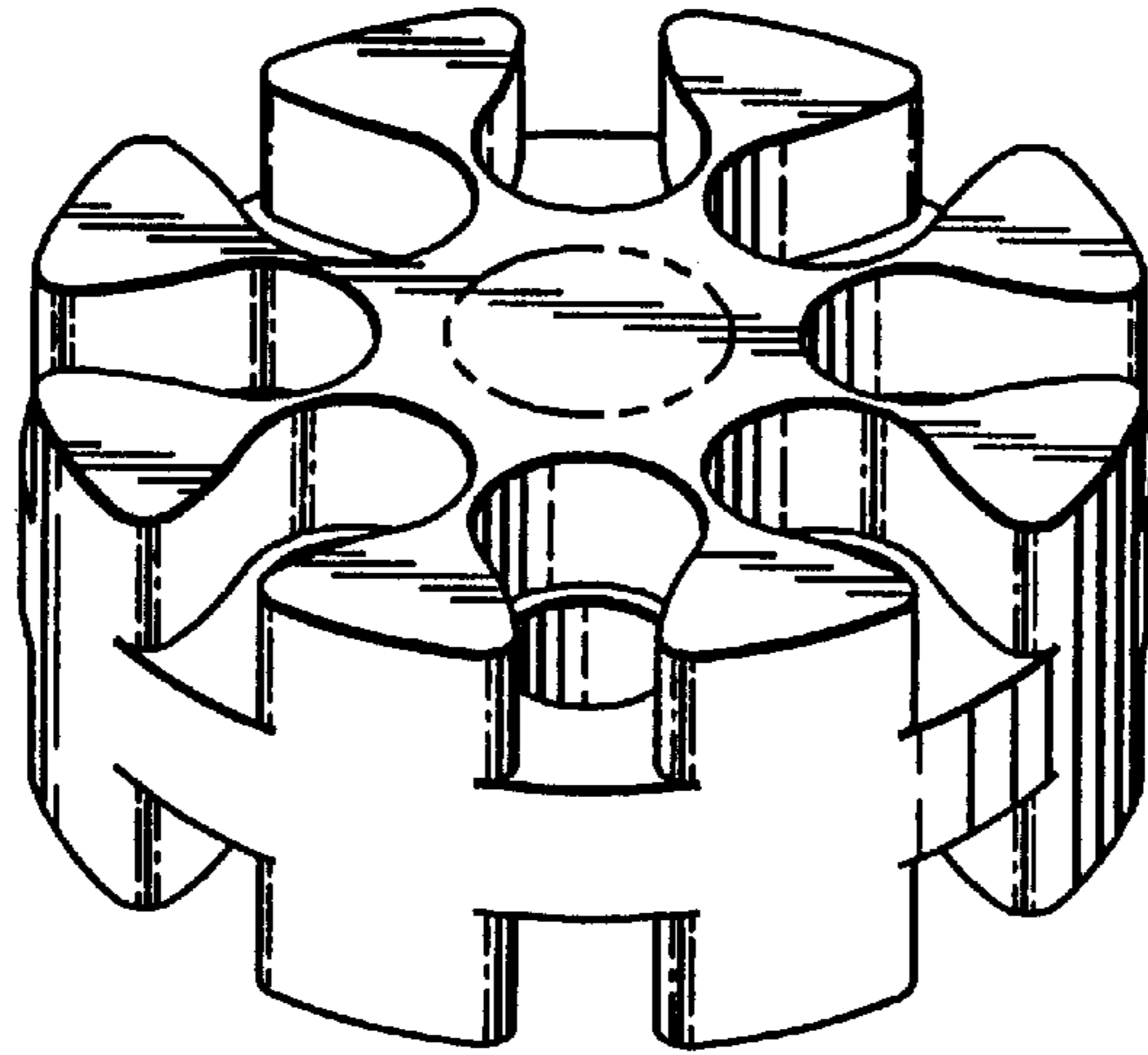


Fig. 1

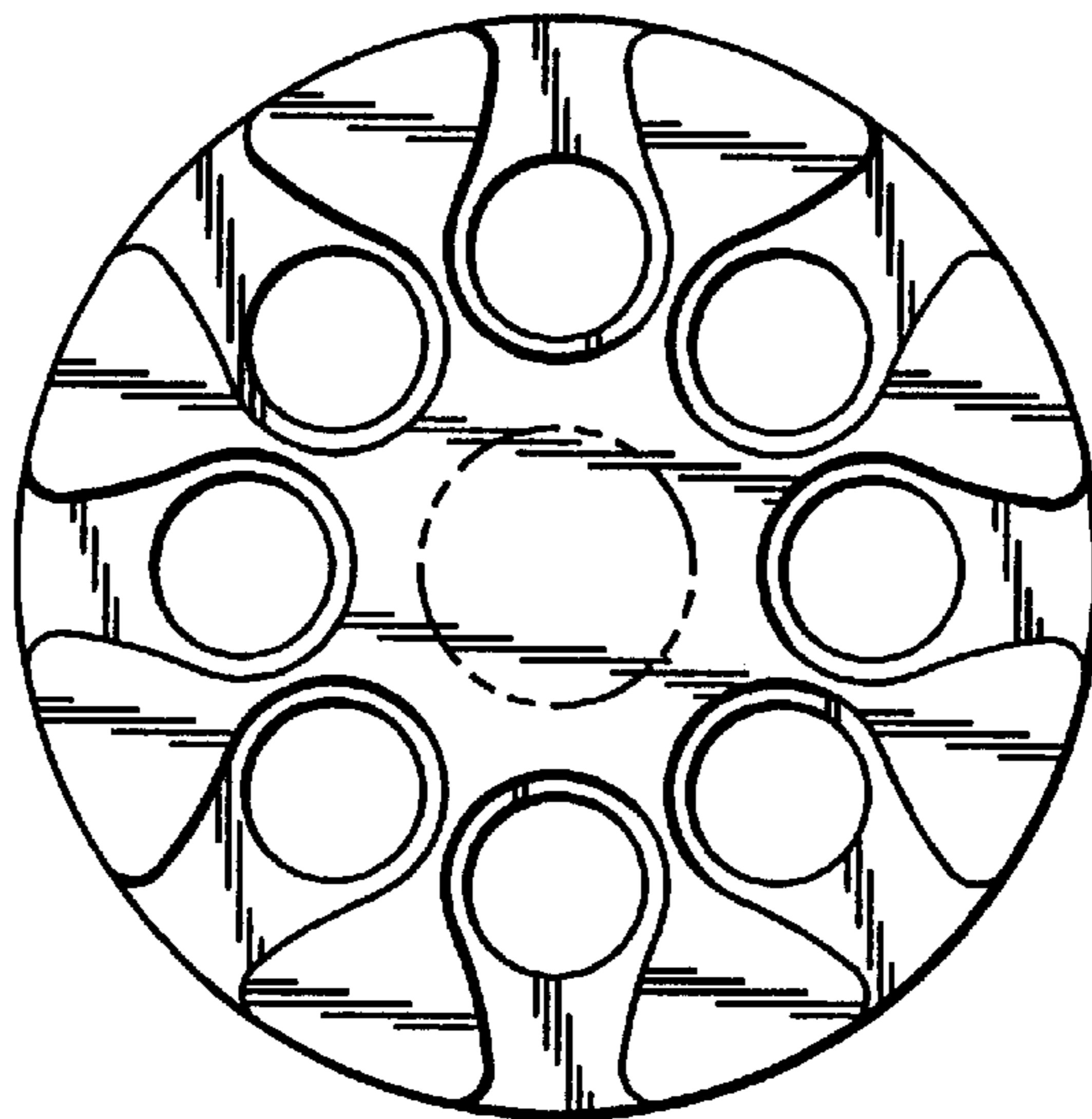


Fig. 2

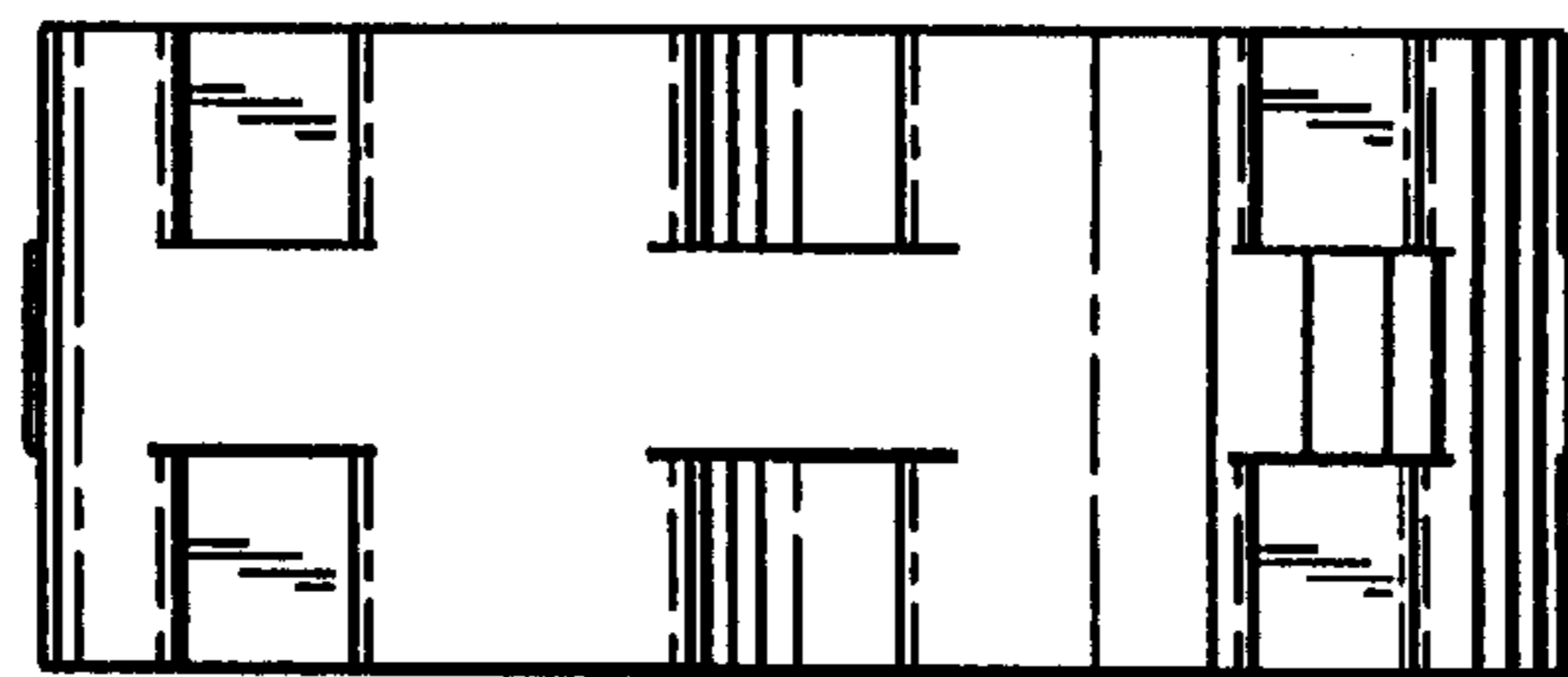


Fig. 3