



US00D409339S

United States Patent [19]

[11] **Patent Number: Des. 409,339**

Silano et al.

[45] **Date of Patent: ** May 4, 1999**

[54] **SQUIRREL SHIELD FOR A TELEPHONE POLE**

[76] Inventors: **Maria G. Silano; Peter Silano**, both of 18 Pond View Ave., Trumbull, Conn. 06611

[**] Term: **14 Years**

[21] Appl. No.: **29/087,396**

[22] Filed: **May 1, 1998**

[51] **LOC (6) Cl. 30-03**

[52] **U.S. Cl. D30/124; D30/119; D13/118**

[58] **Field of Search D8/354; D13/118; D30/110-112, 124, 125; 119/464, 467, 475, 478, 484, 51.01, 51.03, 51.5, 52.1, 52.2, 57.8, 57.9, 72**

[56] **References Cited**

U.S. PATENT DOCUMENTS

D. 336,556	6/1993	Payne et al.	D30/124
D. 344,712	3/1994	Allen	D13/118
D. 357,458	4/1995	Tisbo	D13/118
D. 360,495	7/1995	Sanderson	D30/110
D. 360,496	7/1995	Norman	D30/124
4,031,856	6/1977	Chester	119/57.9
4,207,839	6/1980	Barry	119/57.9
4,523,546	6/1985	Latham	119/57.9
4,821,681	4/1989	Tucker	119/51.01
5,642,687	7/1997	Nylen et al.	119/52.3

OTHER PUBLICATIONS

Popular Mechanics; p. 610; Combined Bird Bath and Feeder; Oct. 1939.

Wolfcrest Products, Inc. sell sheet; Squirrel Proof Steel Post Bird Feeder #21-111; and Lamp Post Bird Feeder with Baffle #27-111:1983.

H.B. Cowap advertisement in House & Garden; p. 170; Kepe-nete Bird Feeder with Guard; Oct. 1957.

Clymer's of Bucks County catalog; p. 61; #92 Bower Bird Feeder with guard; Oct. 1971.

Duncraft catalog; p. 11; No. 603H Hanging Spring Baffle;1991.

Duncraft catalog; p. 118; Bird Feeder Baffle No. 596; Sep. 1989.

Duncraft catalog; p. 27; Spring Baffle for Posts No. 450; Sep. 1989.

Primary Examiner—Cathy Anne MacCormac
Attorney, Agent, or Firm—John R. Doherty

[57] **CLAIM**

The ornamental design for a squirrel shield for a telephone pole, as shown.

DESCRIPTION

FIG. 1 is a perspective view of a squirrel shield for a telephone pole showing our new design;

FIG. 2 is a left side view of the squirrel shield, the right side view being a mirror image thereof;

FIG. 3 is a top view of the squirrel shield;

FIG. 4 is a rear view of the squirrel shield;

FIG. 5 is a front view of the squirrel shield; and,

FIG. 6 is a bottom view thereof.

The broken lines in FIG. 1 are for purposes of illustration only and form no part of the claimed design.

1 Claim, 1 Drawing Sheet

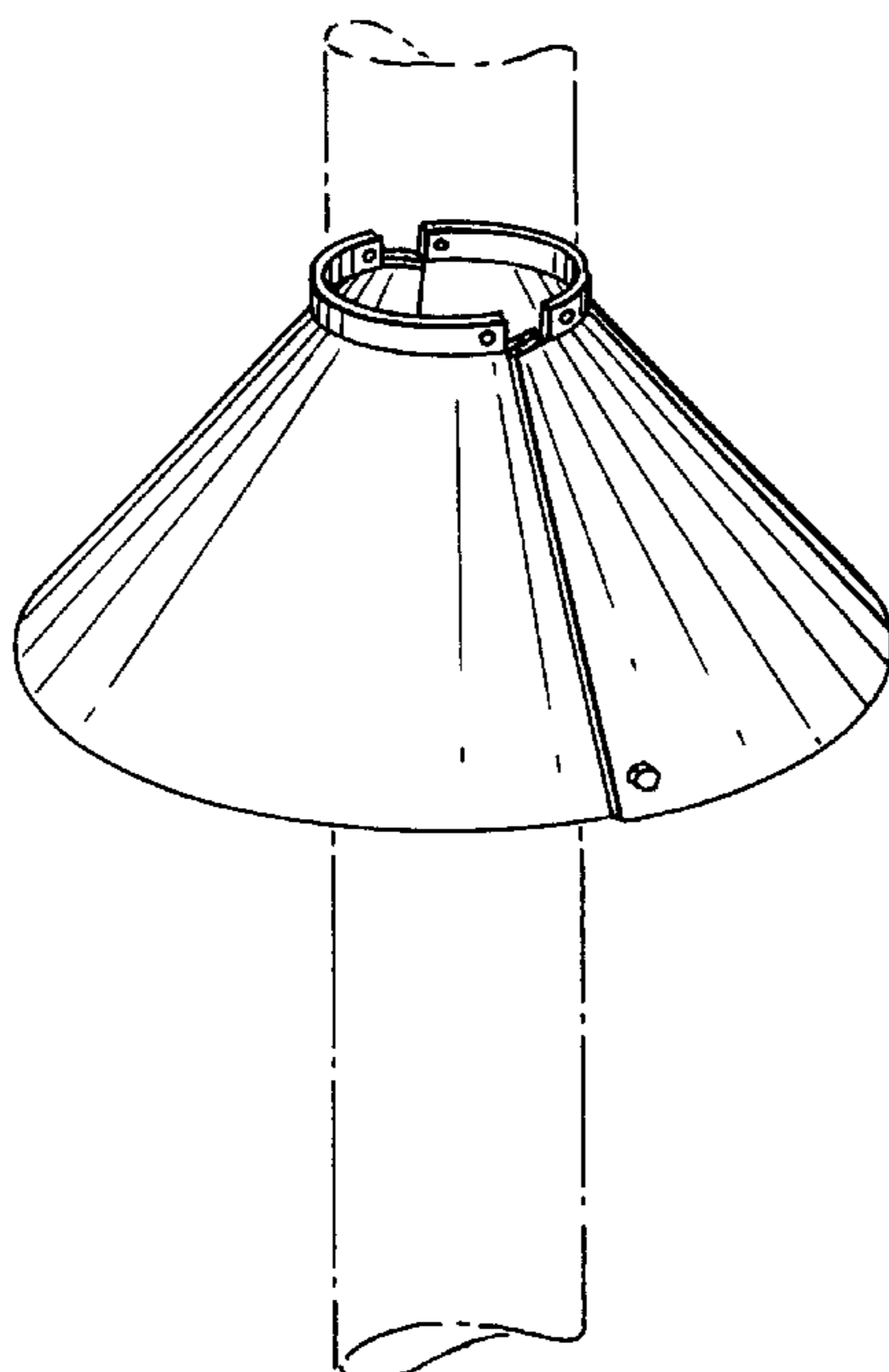


FIG. 1

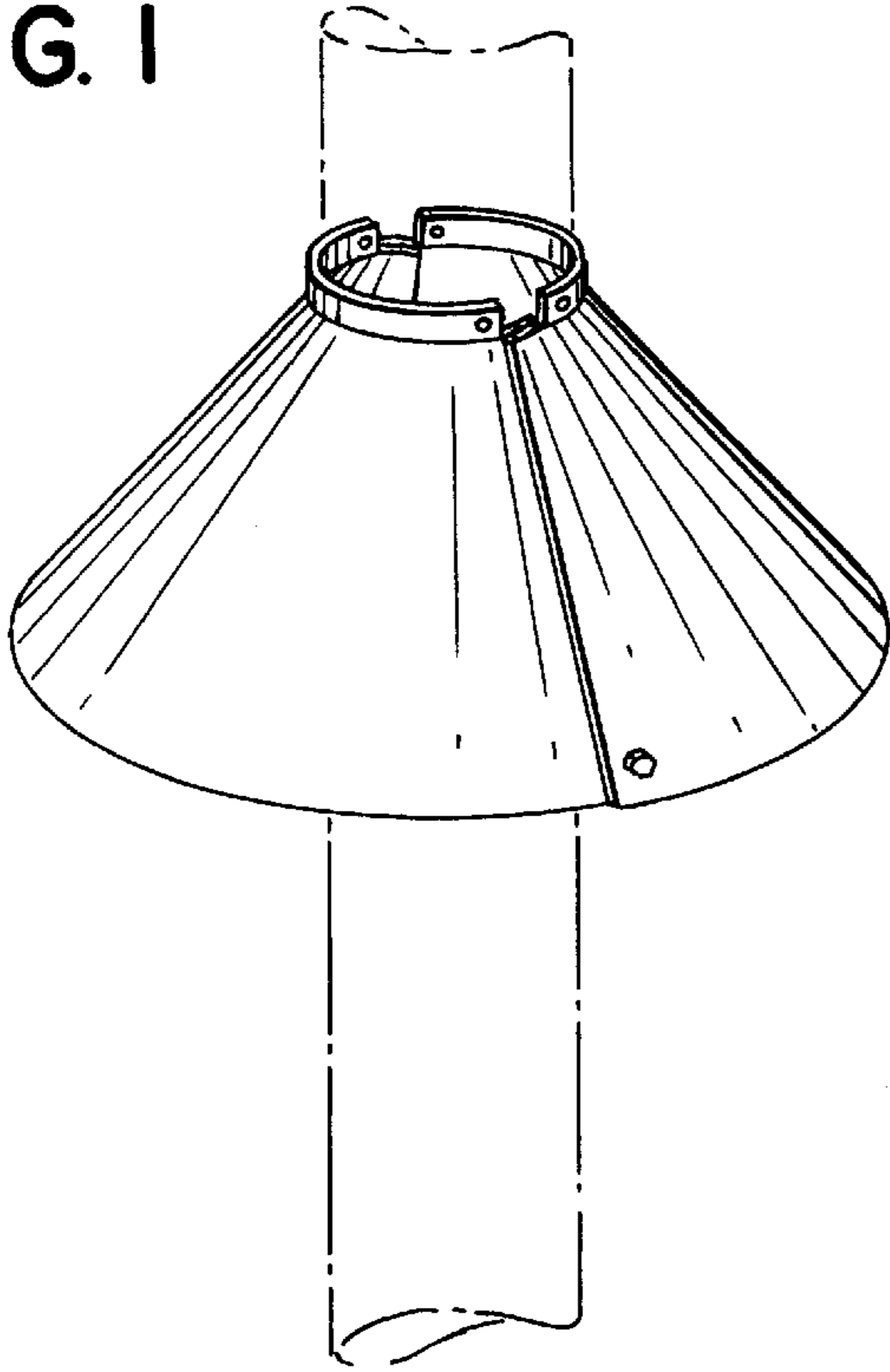


FIG. 2

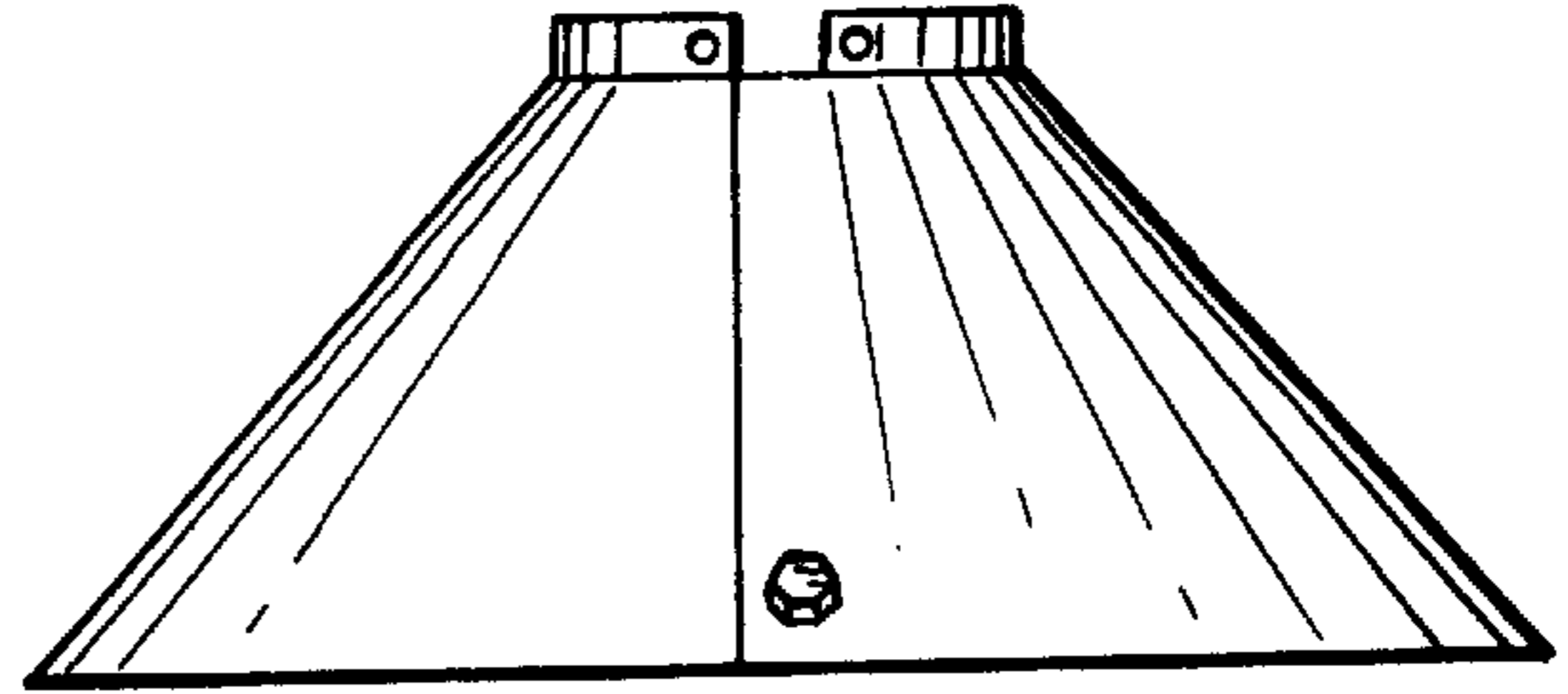


FIG. 4

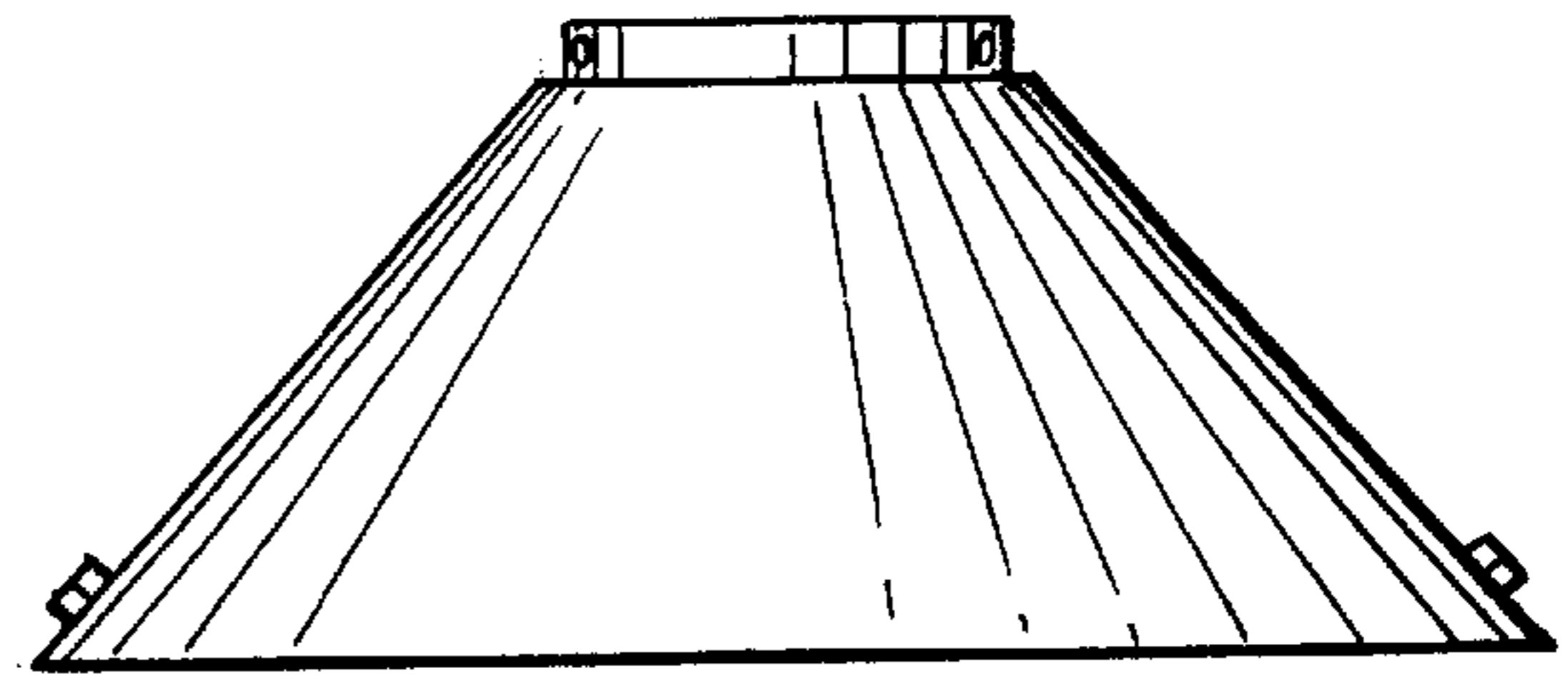


FIG. 5

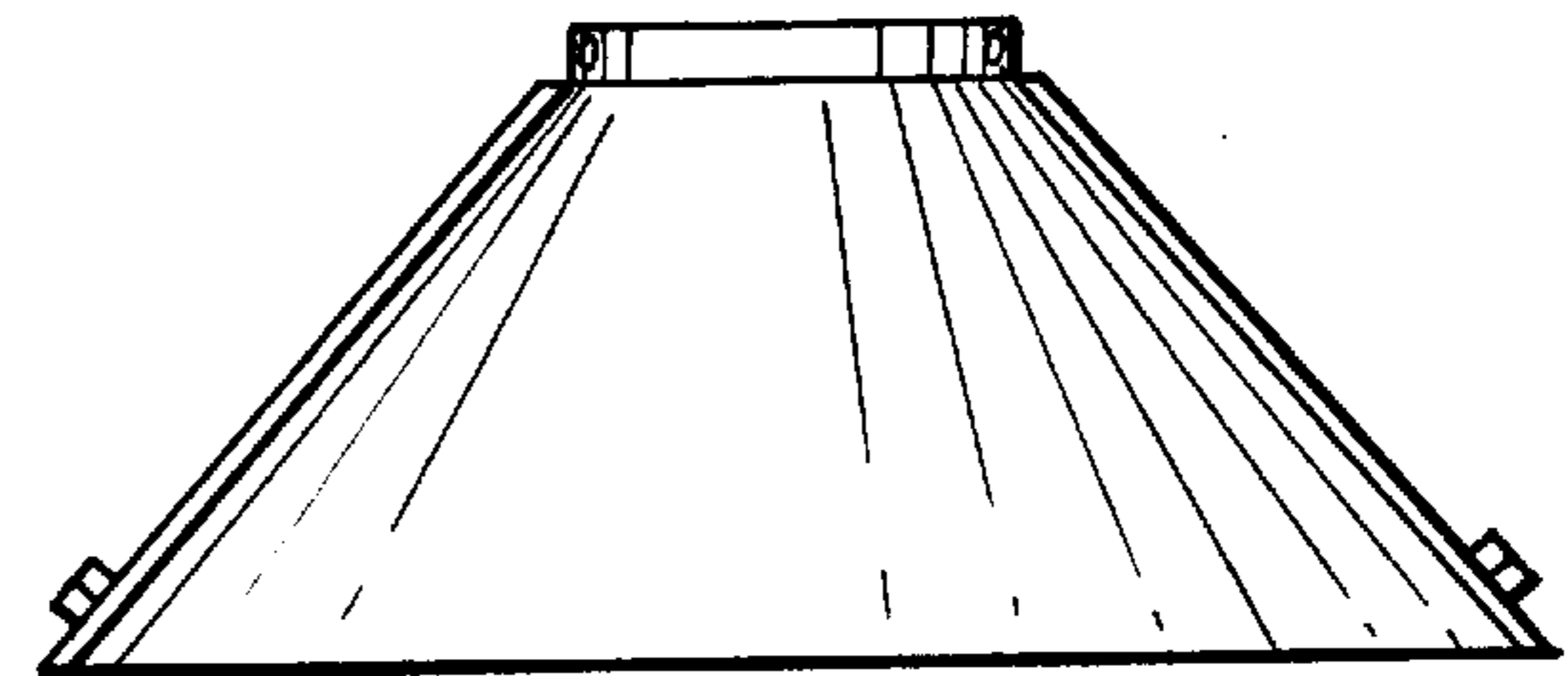


FIG. 3

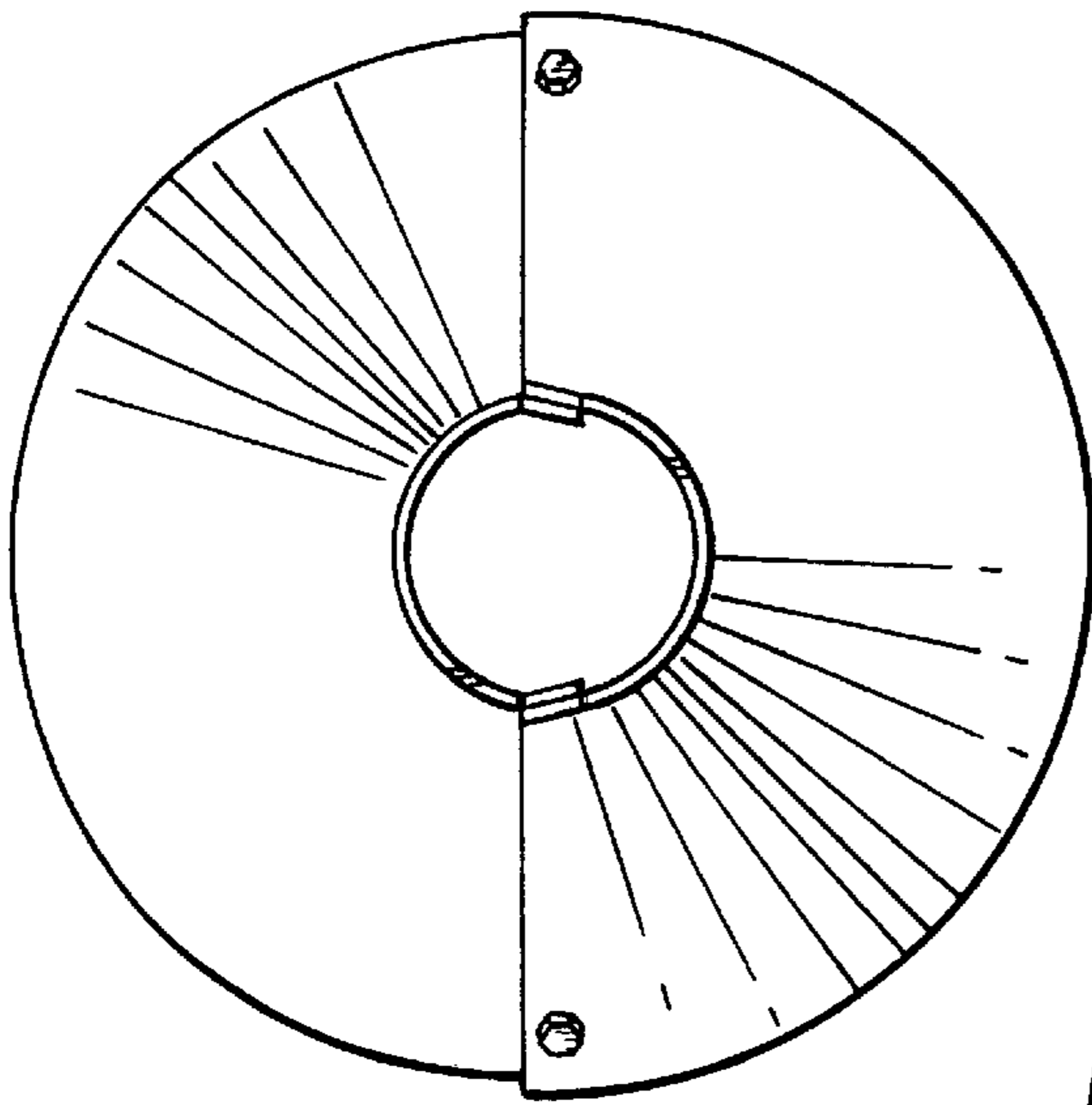


FIG. 6

