



US00D409338S

# United States Patent [19] Gallardo

[11] Patent Number: Des. 409,338

[45] Date of Patent: \*\* May 4, 1999

[54] BIRD SEED CUP HOLDER

2,709,985 6/1955 Clauson ..... 119/51.03  
2,875,729 3/1959 Gibson ..... 119/522

[76] Inventor: **Gilberto G. Gallardo**, 155 Tasman Pl.,  
San Diego, Calif. 92114

### OTHER PUBLICATIONS

Hyde Bird Feeder Co., Fall & Winter 1965-66 Catalog. p. 4,  
The Gridiron Feeder.

[\*\*] Term: **14 Years**

*Primary Examiner*—Doris V. Coles  
*Attorney, Agent, or Firm*—John L. Schmitt

[21] Appl. No.: **29/079,450**

[22] Filed: **Nov. 17, 1997**

### [57] CLAIM

[51] LOC (6) Cl. .... **30-03**

[52] U.S. Cl. .... **D30/119**

[58] Field of Search ..... D30/119, 124,  
D30/127, 128, 133, 110; 119/60, 51.01,  
57.8, 475, 51.03, 57.9, 52.2, 464

The ornamental design of a bird seed cup holder, as shown  
and described.

### DESCRIPTION

### [56] References Cited

#### U.S. PATENT DOCUMENTS

|            |         |         |       |           |
|------------|---------|---------|-------|-----------|
| D. 118,124 | 12/1939 | MacLean | ..... | 119/51.03 |
| D. 132,421 | 5/1942  | Krapp   | ..... | D30/133   |
| D. 172,791 | 8/1954  | Hyde    | ..... | 119/51.03 |
| D. 217,472 | 5/1970  | Lovitz  | ..... | D30/133   |
| D. 259,967 | 7/1981  | Ramsey  | ..... | D30/133   |
| D. 277,705 | 2/1985  | Bello   | ..... | D30/133   |
| 2,518,549  | 8/1950  | Hyde    | ..... | 119/60    |

FIG. 1 is a perspective view of a bird seed cup holder  
showing my new design;  
FIG. 2 is an elevational view of one side of the bird seed cup  
holder with the opposite side being identical thereto;  
FIG. 3 is an elevational view of a front side thereof;  
FIG. 4 is a top plan view thereof;  
FIG. 5 is a bottom plan view thereof; and,  
FIG. 6 is an elevational view of a rear side thereof.

**1 Claim, 4 Drawing Sheets**

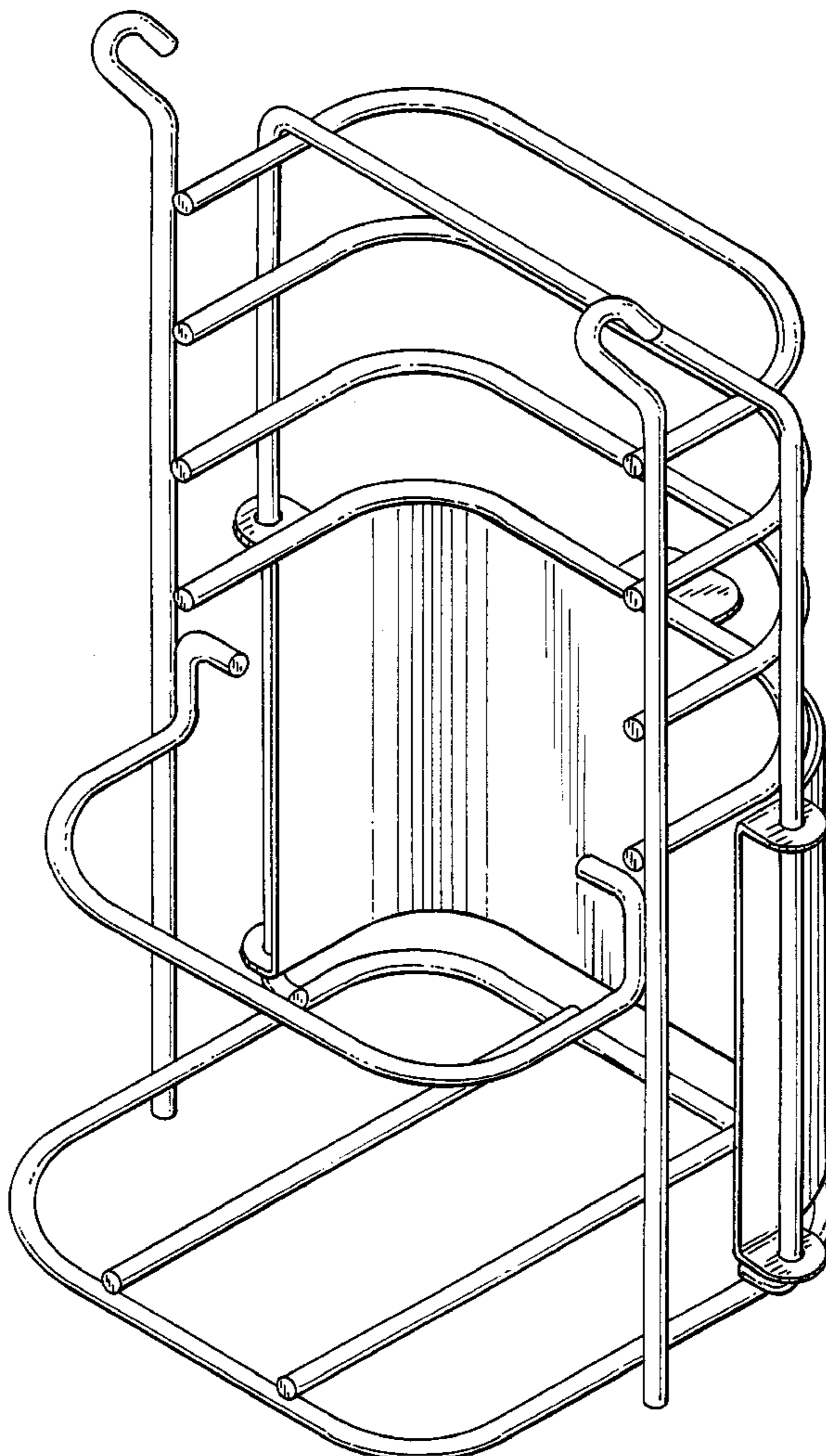
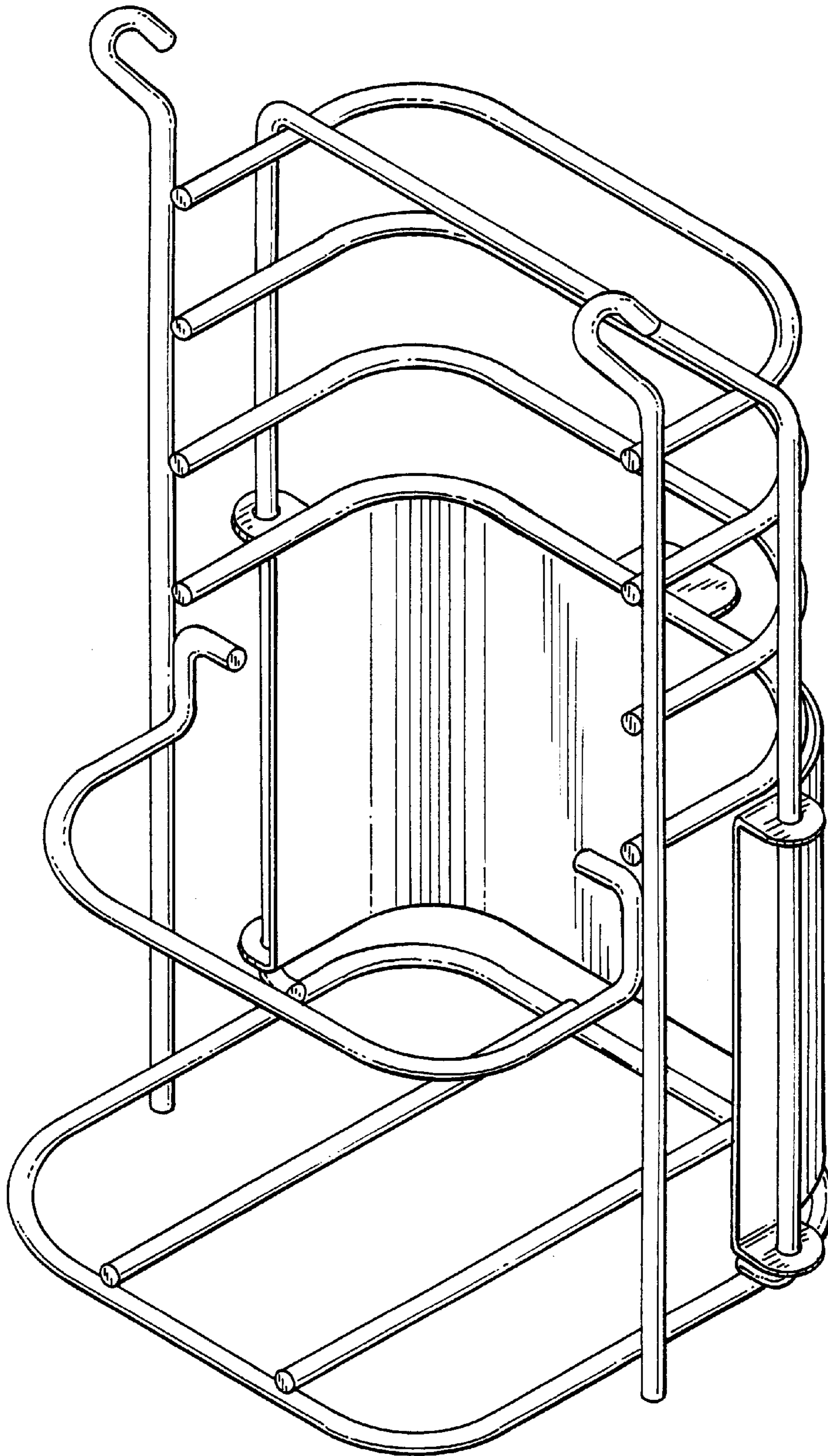


FIG. 1



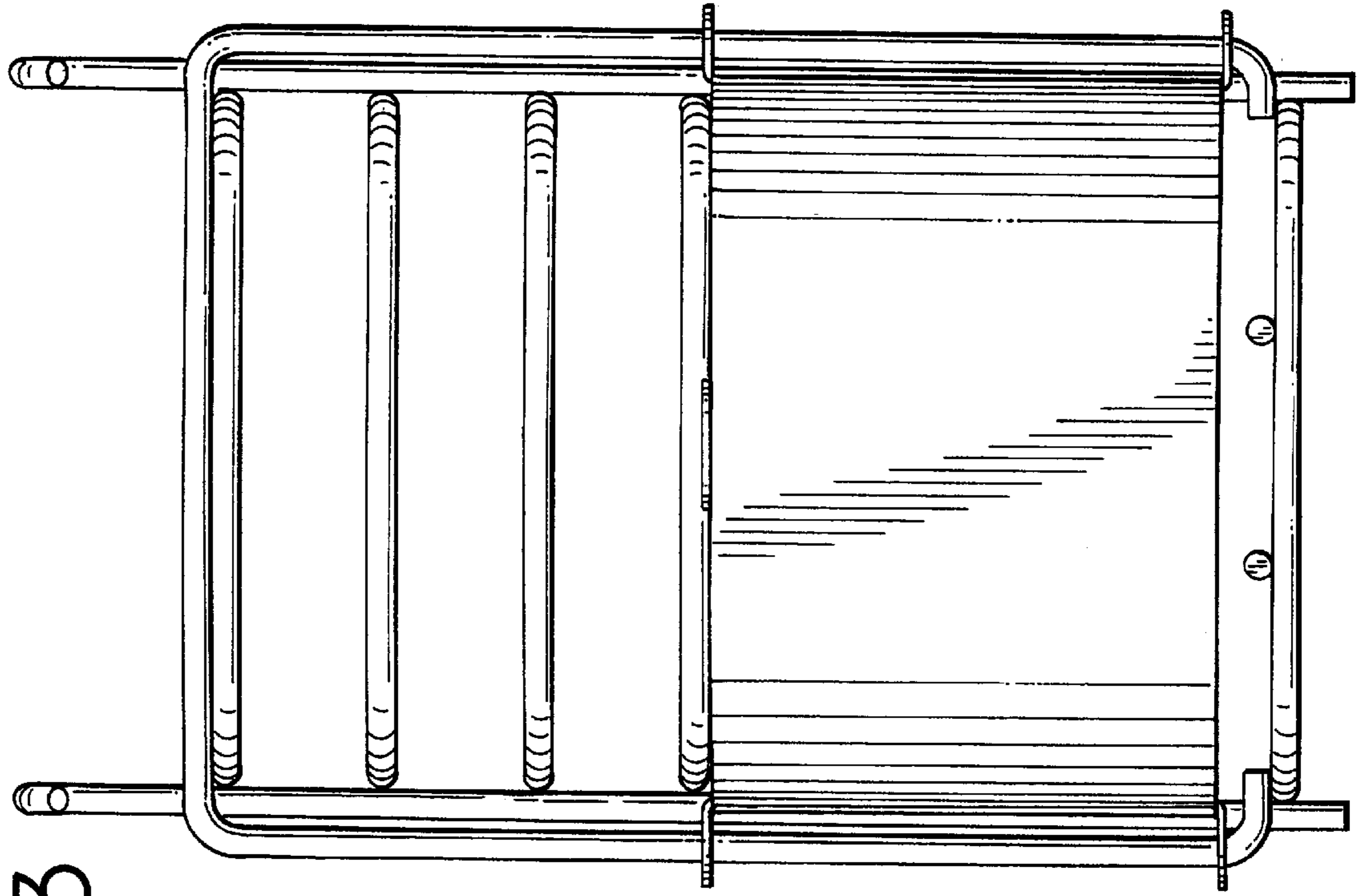


FIG. 3

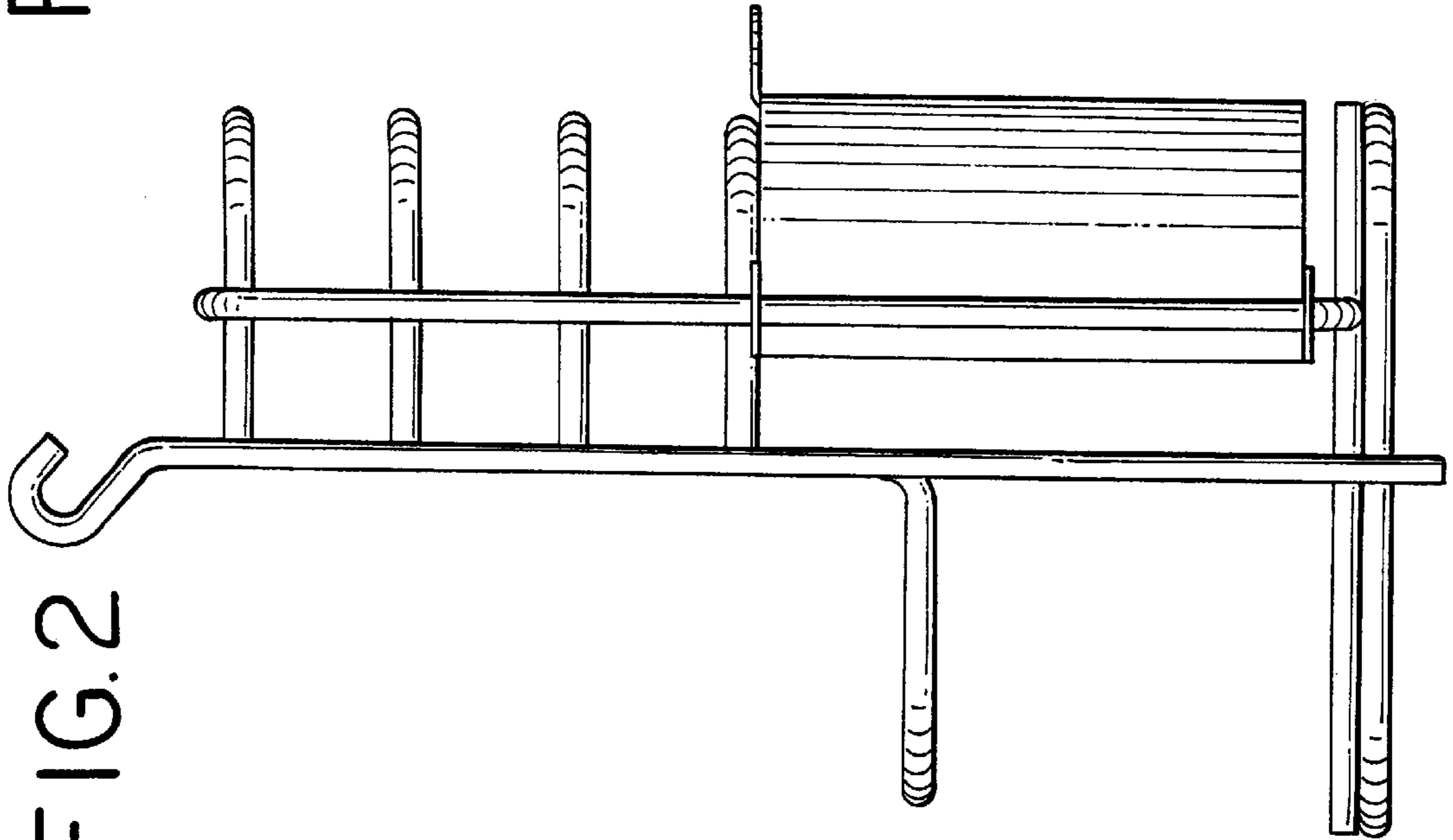


FIG. 2

FIG. 4

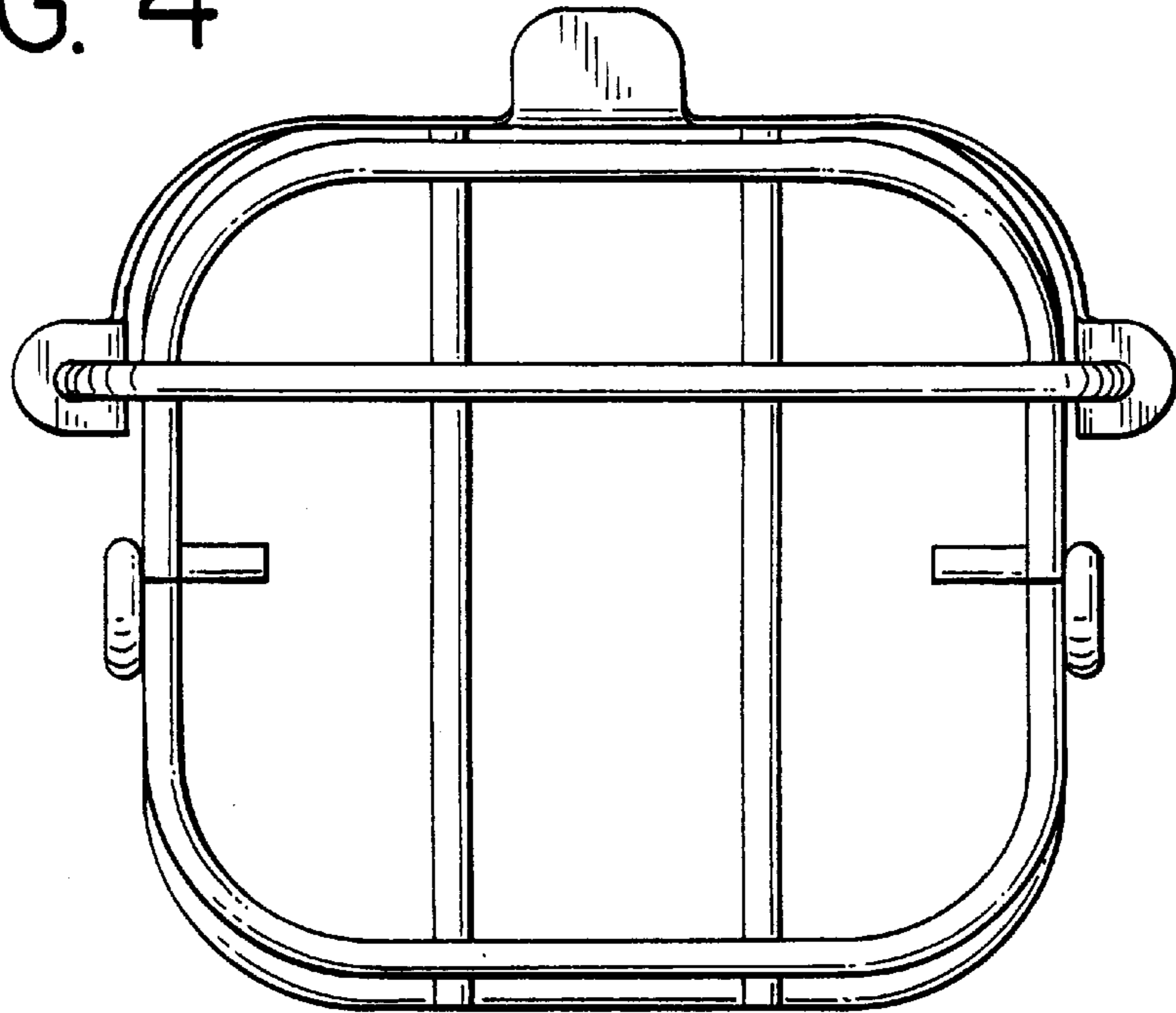


FIG. 5

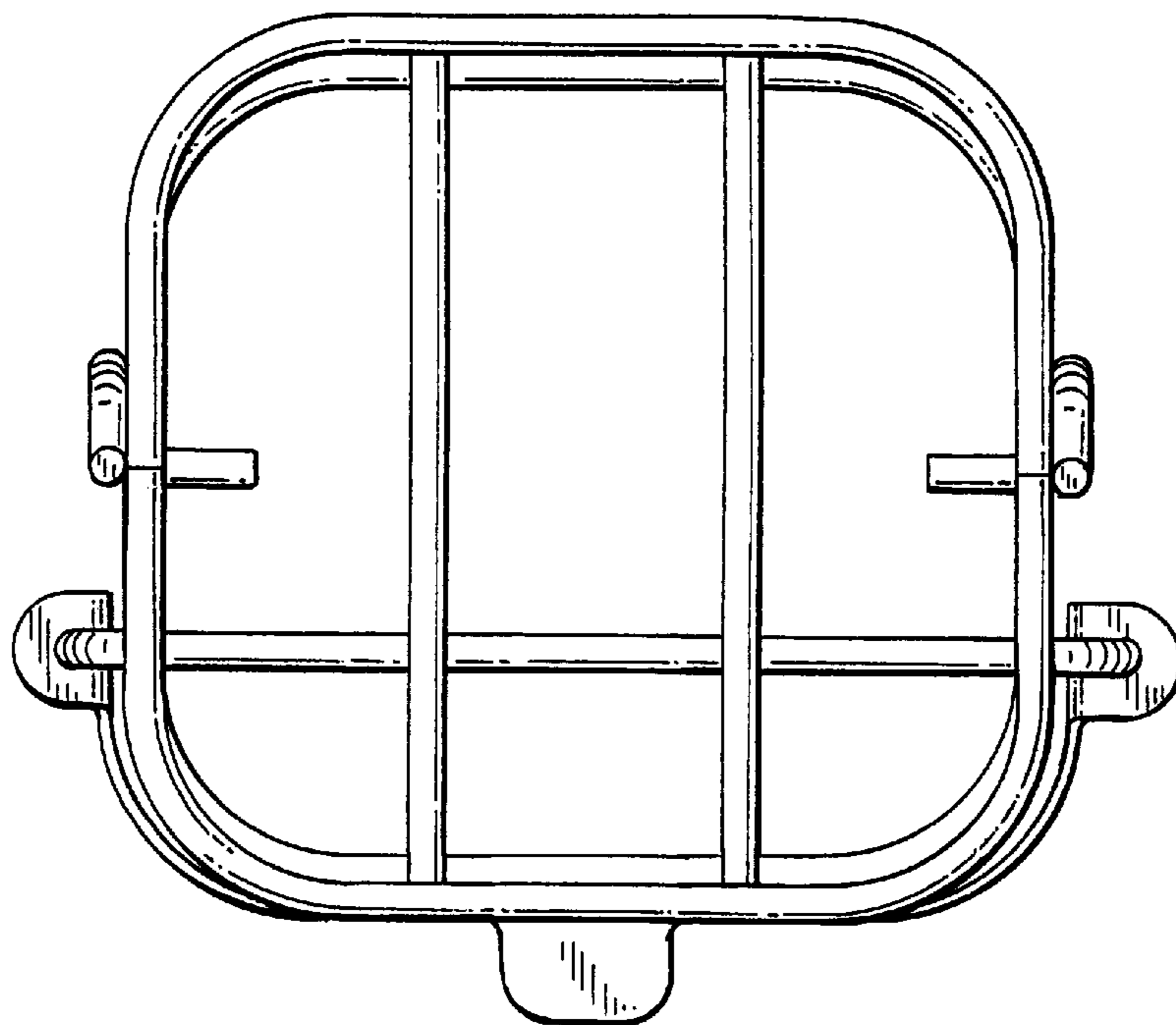


FIG. 6

