



US00D409335S

United States Patent [19]

[11] **Patent Number: Des. 409,335**

Slater

[45] **Date of Patent: ** May 4, 1999**

[54] **PORTABLE MORTORIZED MANICURING APPARATUS**

D. 376,694	12/1996	Aiyar	D4/102
D. 384,436	9/1997	Kelley	D28/7
1,080,919	12/1913	Morrison	401/28
5,450,646	9/1995	McHugh et al.	15/186

[76] Inventor: **Ana Lucia Slater**, 100 Sea County La., Las Flores, Calif. 92688

Primary Examiner—Ted Shooman
Assistant Examiner—C. Tuttle

[**] Term: **14 Years**

[57] **CLAIM**

[21] Appl. No.: **29/076,708**

The ornamental design for a portable mortORIZED manicuring apparatus, as shown and described.

[22] Filed: **Sep. 18, 1997**

[51] **LOC (6) Cl.** **28-03**

DESCRIPTION

[52] **U.S. Cl.** **D28/58; D4/102**

FIG. 1 is a left side elevational view of the portable mortORIZED manicuring apparatus of the present invention; FIG. 2 is a right side elevational view of the portable mortORIZED manicuring apparatus of FIG. 1; FIG. 3 is a front elevational view of the portable mortORIZED manicuring apparatus of FIG. 1; FIG. 4 is a back elevational view of the portable mortORIZED manicuring apparatus of FIG. 1; FIG. 5 is a top plan view of the portable mortORIZED manicuring apparatus of FIG. 1; and, FIG. 6 is a bottom plan view of the portable mortORIZED manicuring apparatus of FIG. 1.

[58] **Field of Search** D28/56-59; D24/133, D24/147, 200, 214, 211; D8/90, 62; D32/14.1, 19; D4/100, 102; 132/73.5, 73.6, 75.6, 75.8, 76.4, 76.5

[56] **References Cited**

U.S. PATENT DOCUMENTS

D. 226,043	1/1973	Wolff	D24/214
D. 254,222	2/1980	MacGregor	D24/214
D. 262,257	12/1981	Sohn	D32/17
D. 301,398	6/1989	Cheung	D4/102
D. 321,596	11/1991	Zierhut	D4/114
D. 328,654	8/1992	Mizobata et al.	D28/59
D. 347,087	5/1994	Griffin	D28/58
D. 366,703	1/1996	Huen	D24/214

The broken line showing of the cord is for illustrative purposes only and forms no part of the claimed design.

1 Claim, 4 Drawing Sheets

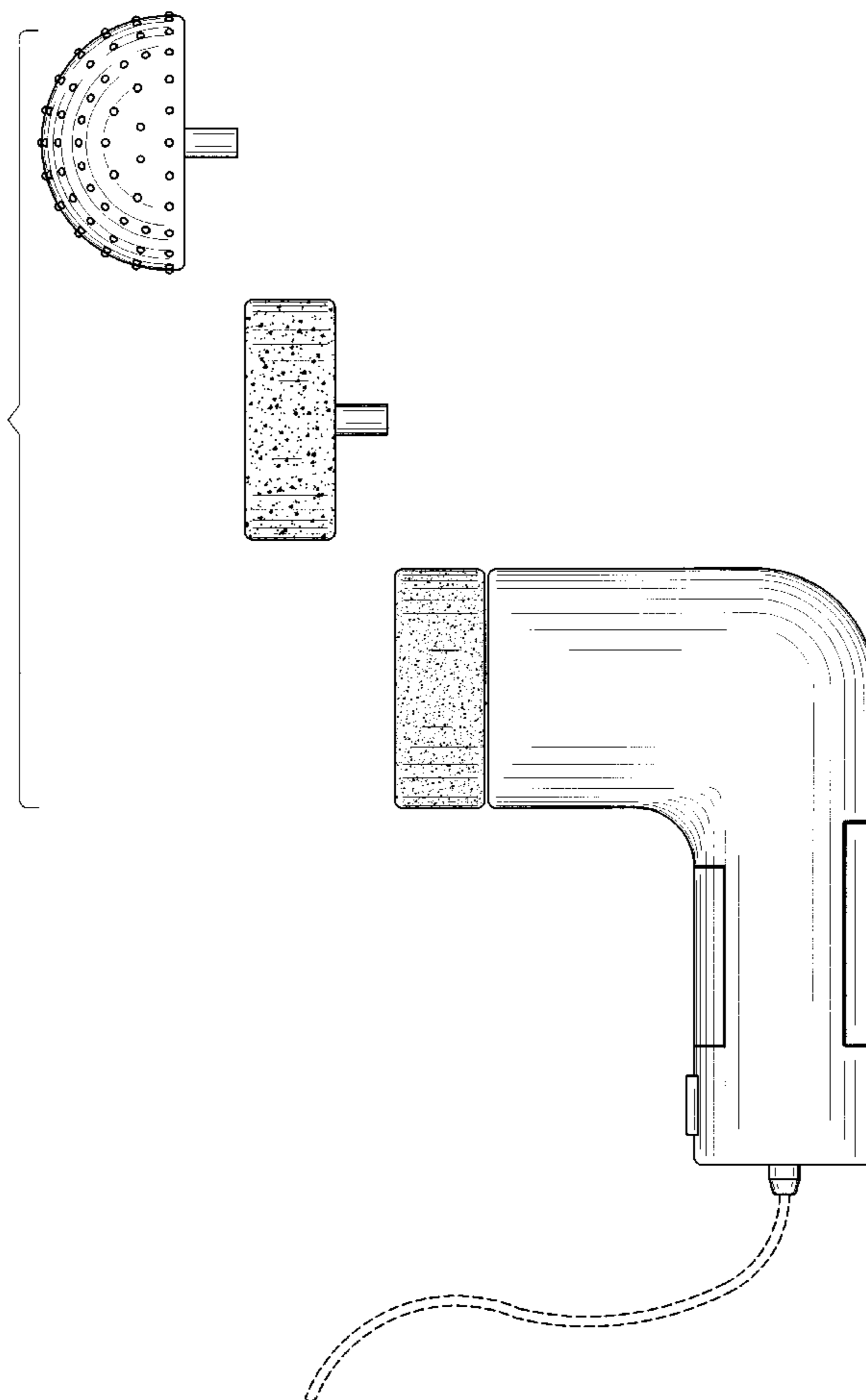


FIG. 1

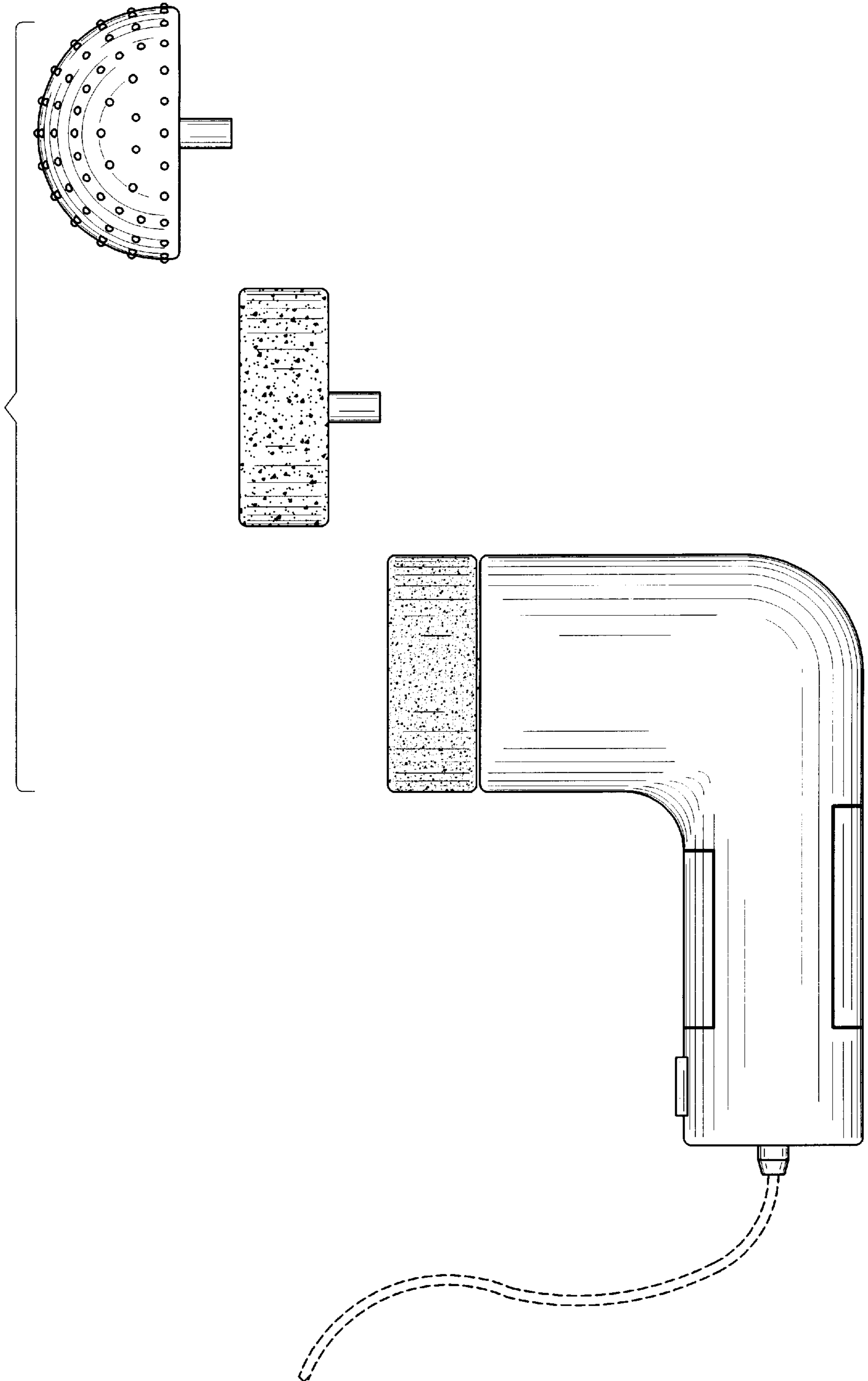


FIG. 2

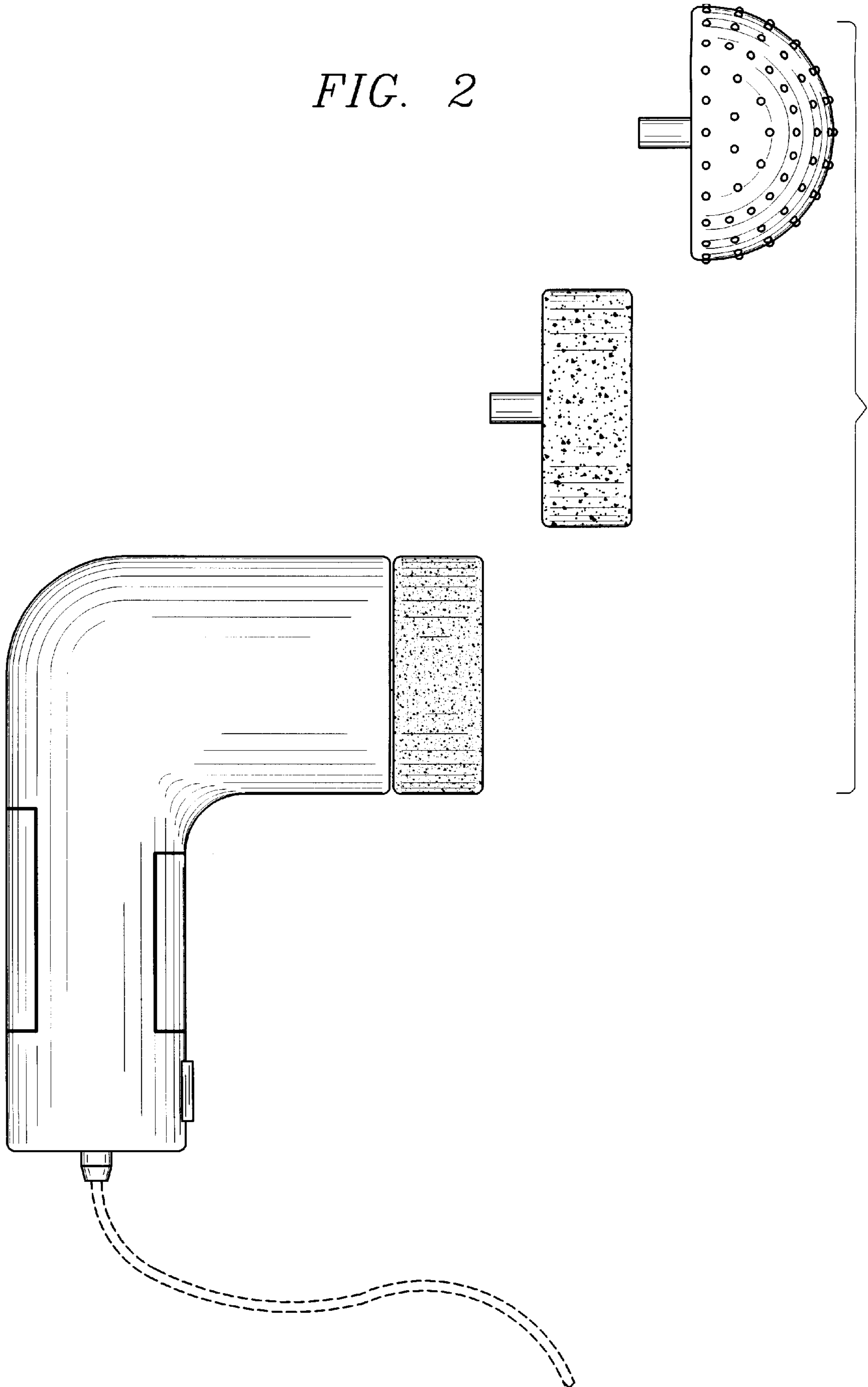


FIG. 3

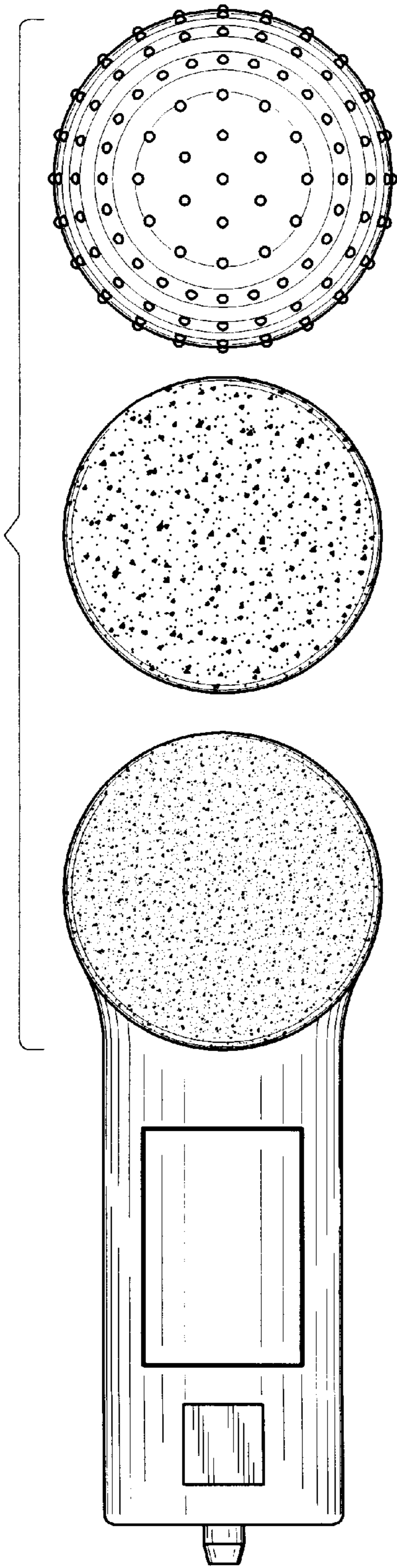


FIG. 4

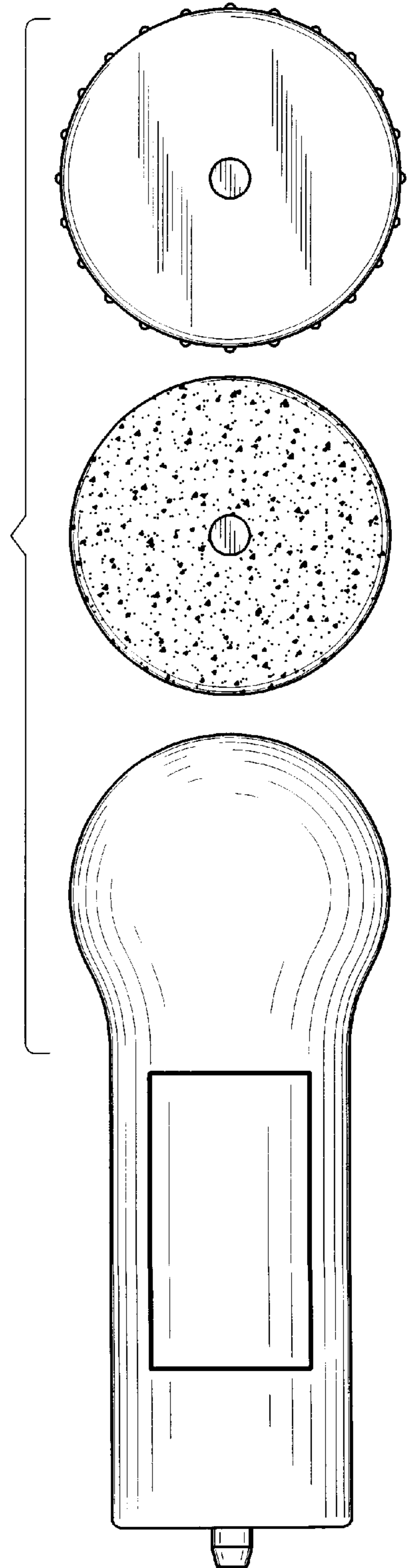


FIG. 5

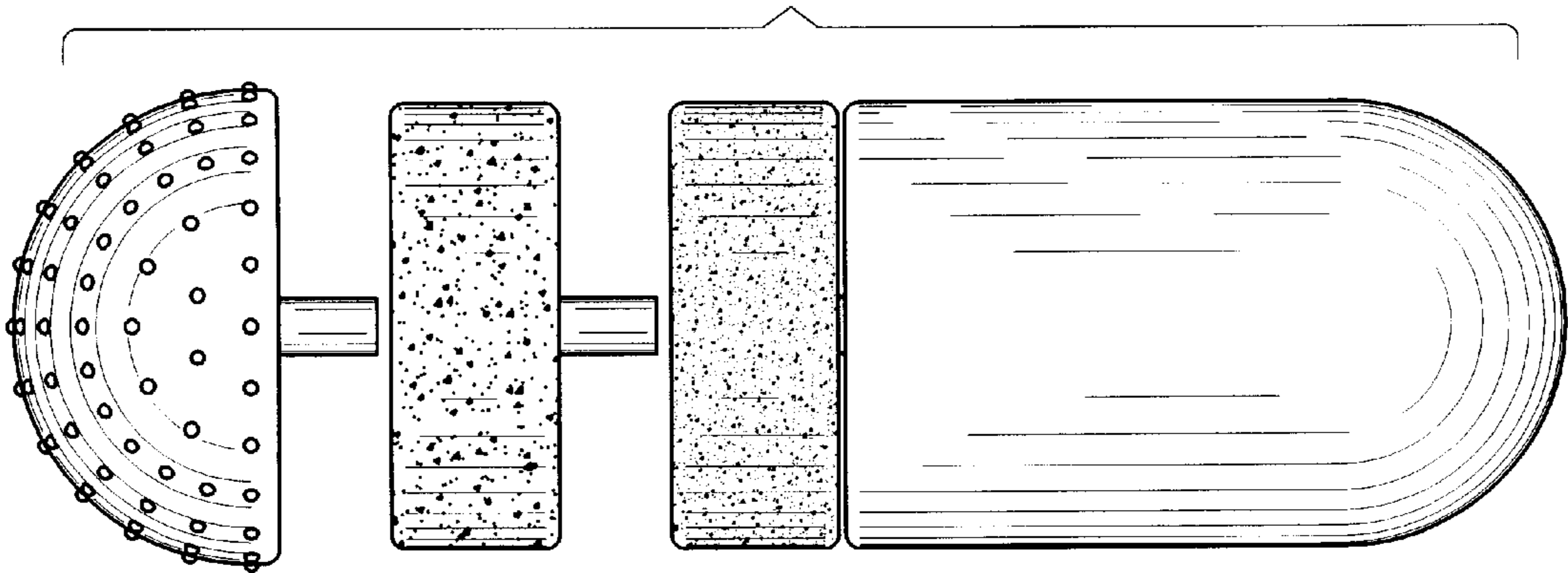


FIG. 6

