



US00D409329S

United States Patent [19]

[11] Patent Number: Des. 409,329

Bucher et al.

[45] Date of Patent: ** May 4, 1999

[54] CIGAR VESSEL

[75] Inventors: Paul G. Bucher, P.O. Box 5889-1000, San José, Costa Rica; Luis Cuello, Miami, Fla.

[73] Assignee: Paul G. Bucher, San José, Costa Rica

[**] Term: 14 Years

[21] Appl. No.: 29/067,967

[22] Filed: Apr. 15, 1997

Related U.S. Application Data

[63] Continuation-in-part of application No. 29/064,127, Dec. 23, 1996, Pat. No. Des. 396,732.

[51] LOC (6) Cl. 27-06

[52] U.S. Cl. D27/189; D27/186

[58] Field of Search D3/206; D19/77, D19/81, 83, 85; 131/329, 187; D27/183, 186-194, 172; 206/213.1, 242, 256, 269, 265, 268, 249, 261; 229/909; 220/326; 312/31.1, 31.04; 217/5, 56, 3 BC, 62, 63

[56] References Cited

U.S. PATENT DOCUMENTS

187,115	2/1877	Fletcher	217/3 BC
1,090,693	3/1914	Danforth	312/31.1
1,395,467	11/1921	Bayuk	206/242
2,130,488	9/1938	Funk	229/909

Primary Examiner—Susan J. Lucas
Assistant Examiner—Jennifer Rivard
Attorney, Agent, or Firm—Frank L. Kubler

[57] CLAIM

The ornamental design for a cigar vessel, as shown and described.

DESCRIPTION

FIG. 1 is a perspective view of the first embodiment of the cigar vessel;

FIG. 2 is a top view thereof;
 FIG. 3 is a perspective view of the second embodiment of the cigar vessel;
 FIG. 4 is a top view thereof;
 FIG. 5 is a perspective view of the third embodiment of the cigar vessel;
 FIG. 6 is a top view thereof;
 FIG. 7 is a side view of Embodiments 1-3 shown in a closed configuration, the opposite side being a mirror image thereof;
 FIG. 8 is a rear view Embodiments 1-3 shown in a closed configuration;
 FIG. 9 is a top view of Embodiments 1-3 shown in a closed configuration;
 FIG. 10 is a front view of Embodiments 1-3 shown in a closed configuration;
 FIG. 11 is a bottom view of Embodiments 1-3 shown in a closed configuration;
 FIG. 12 is a perspective view of the fourth embodiment of the cigar vessel;
 FIG. 13 is a top view thereof;
 FIG. 14 is a perspective view of the fifth embodiment of the cigar vessel;
 FIG. 15 is a top view thereof;
 FIG. 16 is a perspective view of the sixth embodiment of the cigar vessel;
 FIG. 17 is a top view thereof;
 FIG. 18 is a side view of Embodiments 4-6 shown in a closed configuration, the opposite side being a mirror image thereof;
 FIG. 19 is a rear view of Embodiments 4-6 shown in a closed configuration;
 FIG. 20 is a top view of Embodiments 4-6 shown in a closed configuration;
 FIG. 21 is a front view of Embodiments 4-6 shown in a closed configuration; and,
 FIG. 22 is a bottom view of Embodiments 4-6 shown in a configuration.

1 Claim, 8 Drawing Sheets

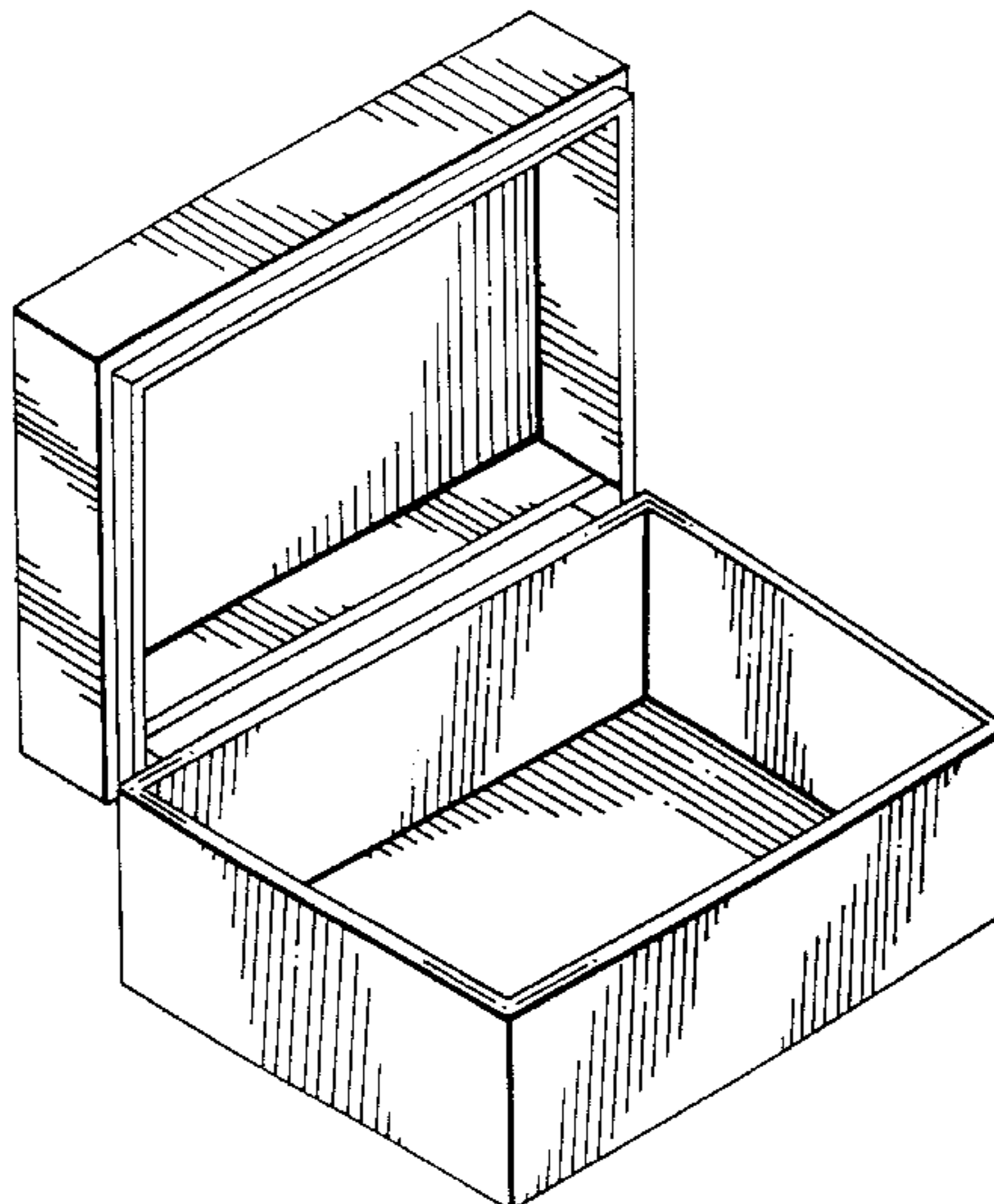


FIG. 1

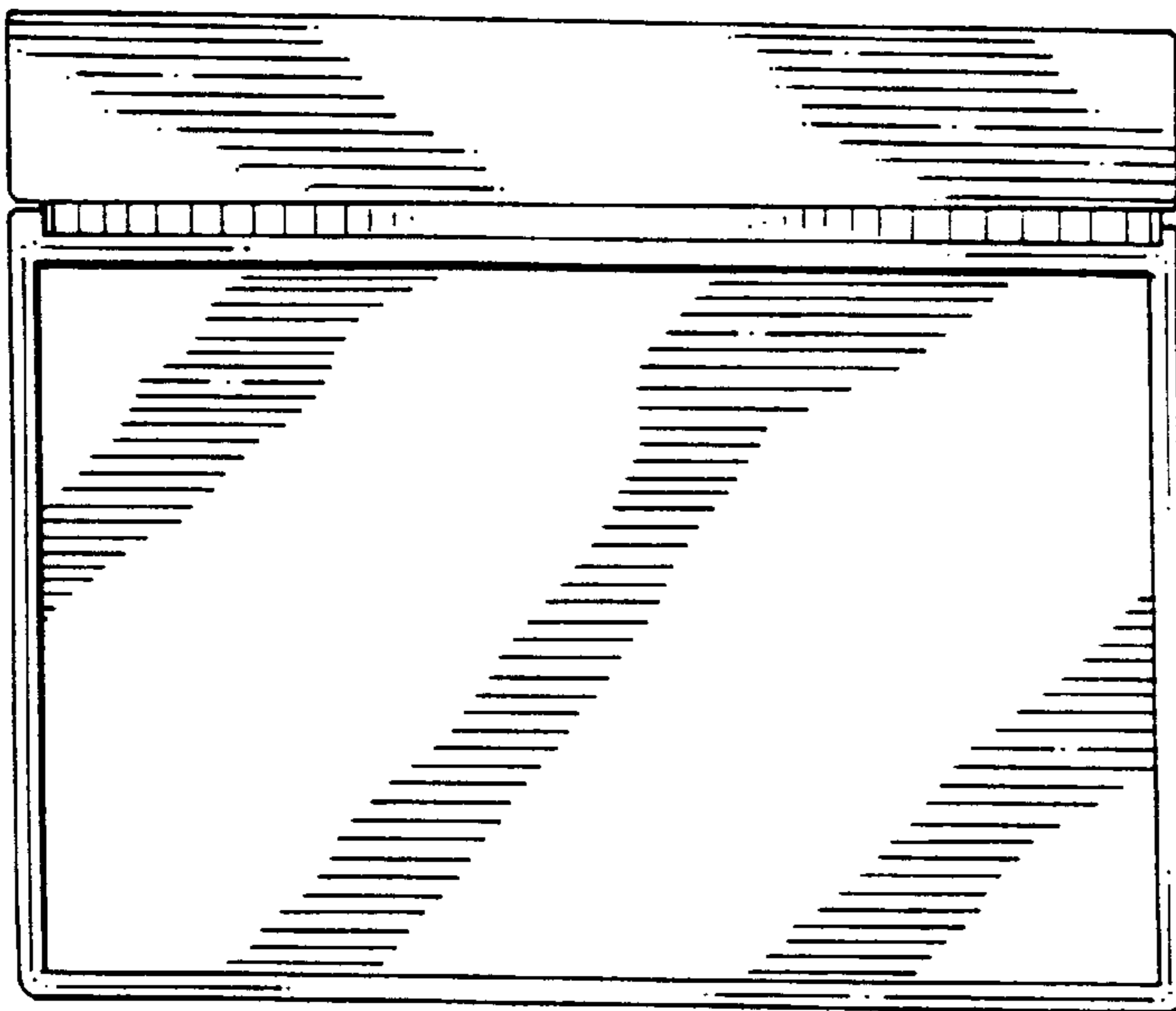
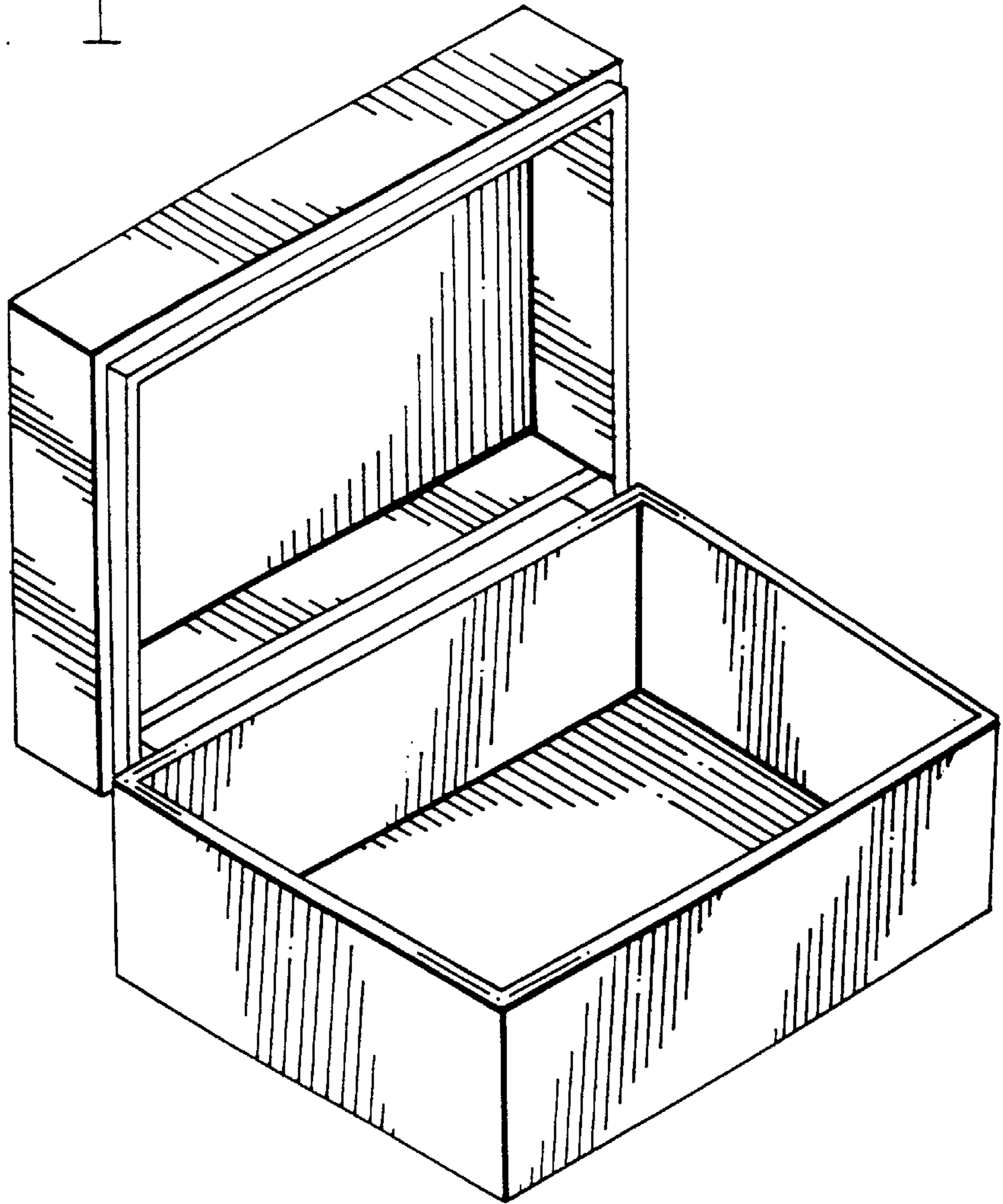


FIG. 2

FIG. 3

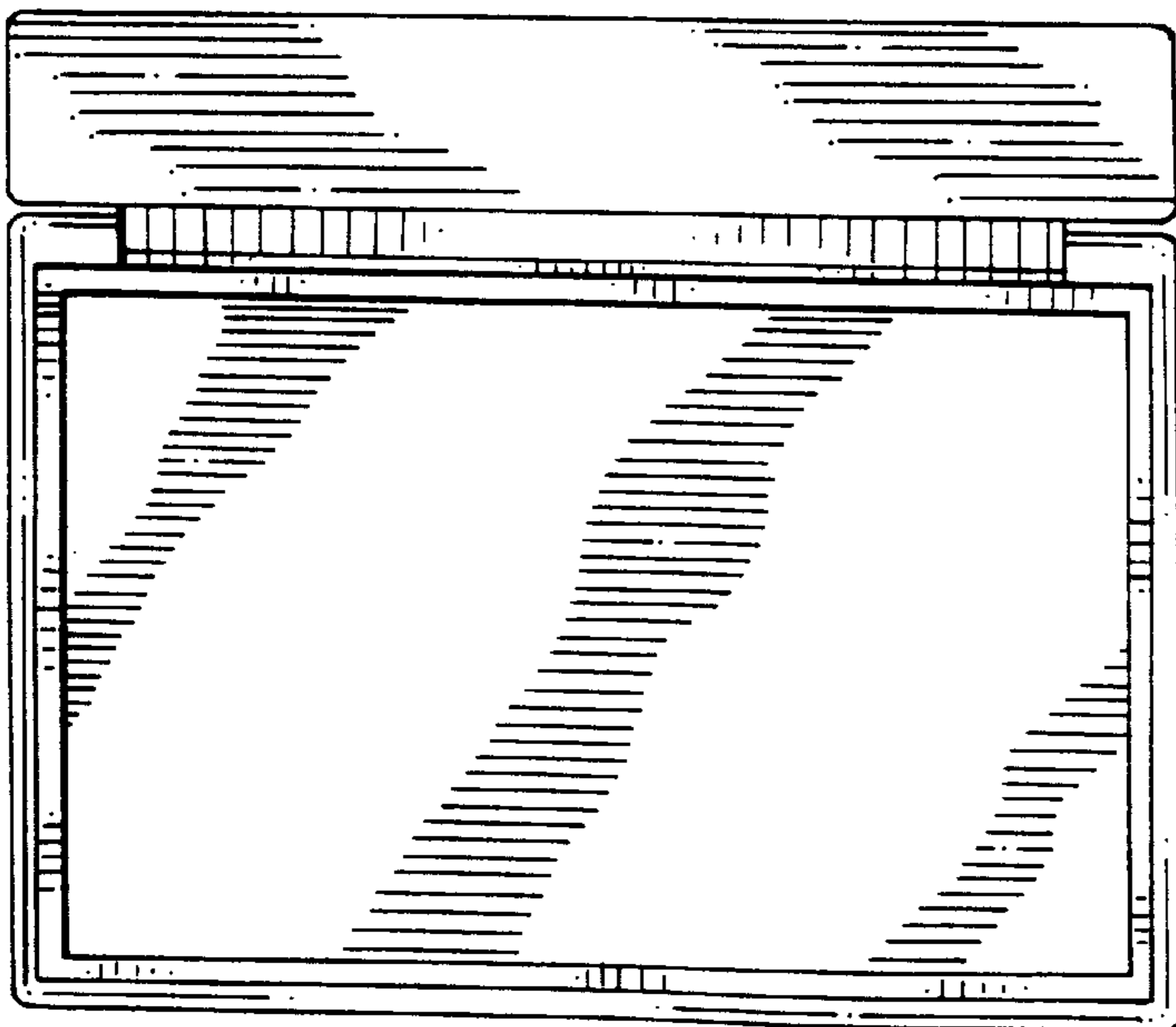
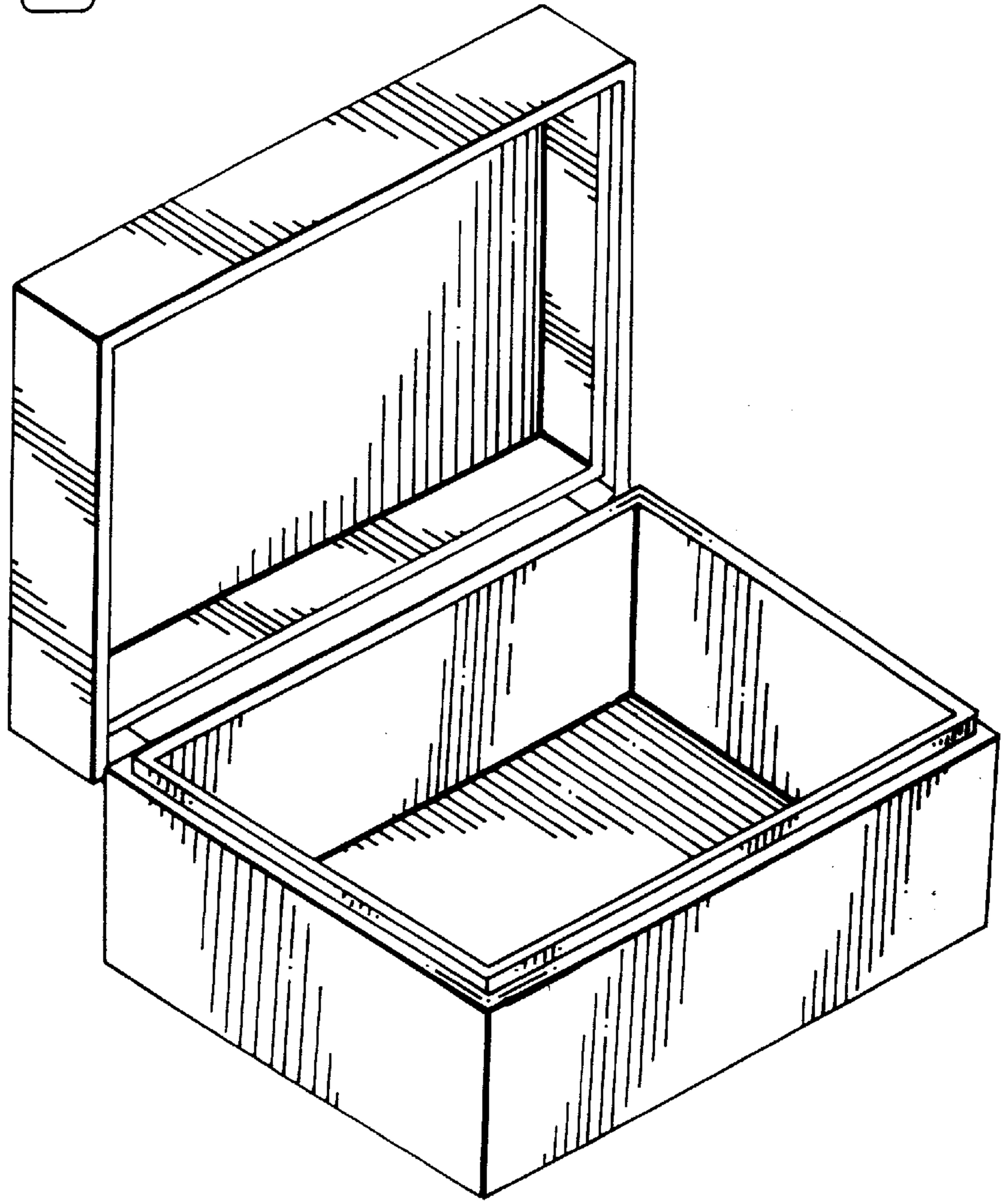


FIG. 4

FIG. 5

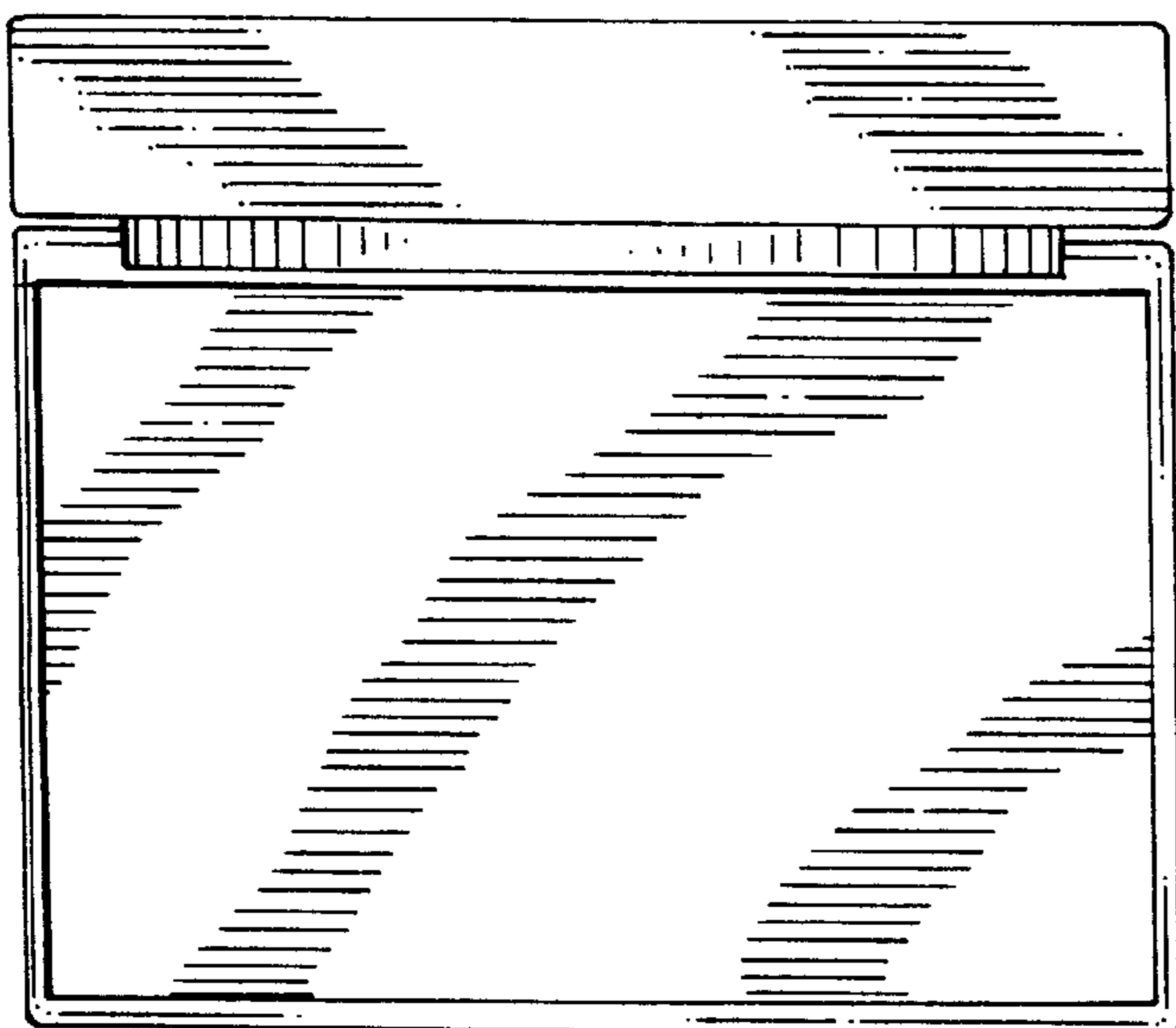
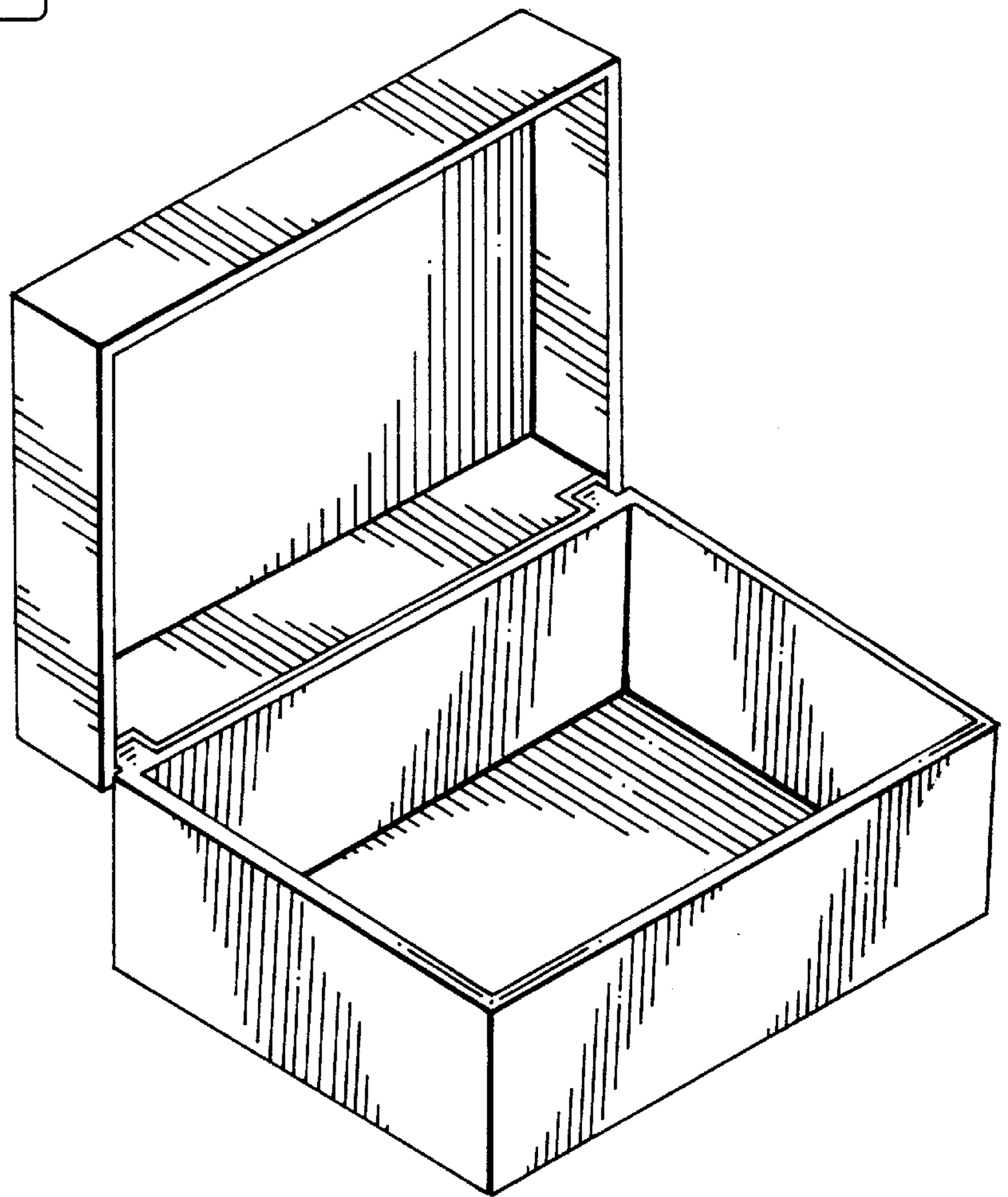


FIG. 6

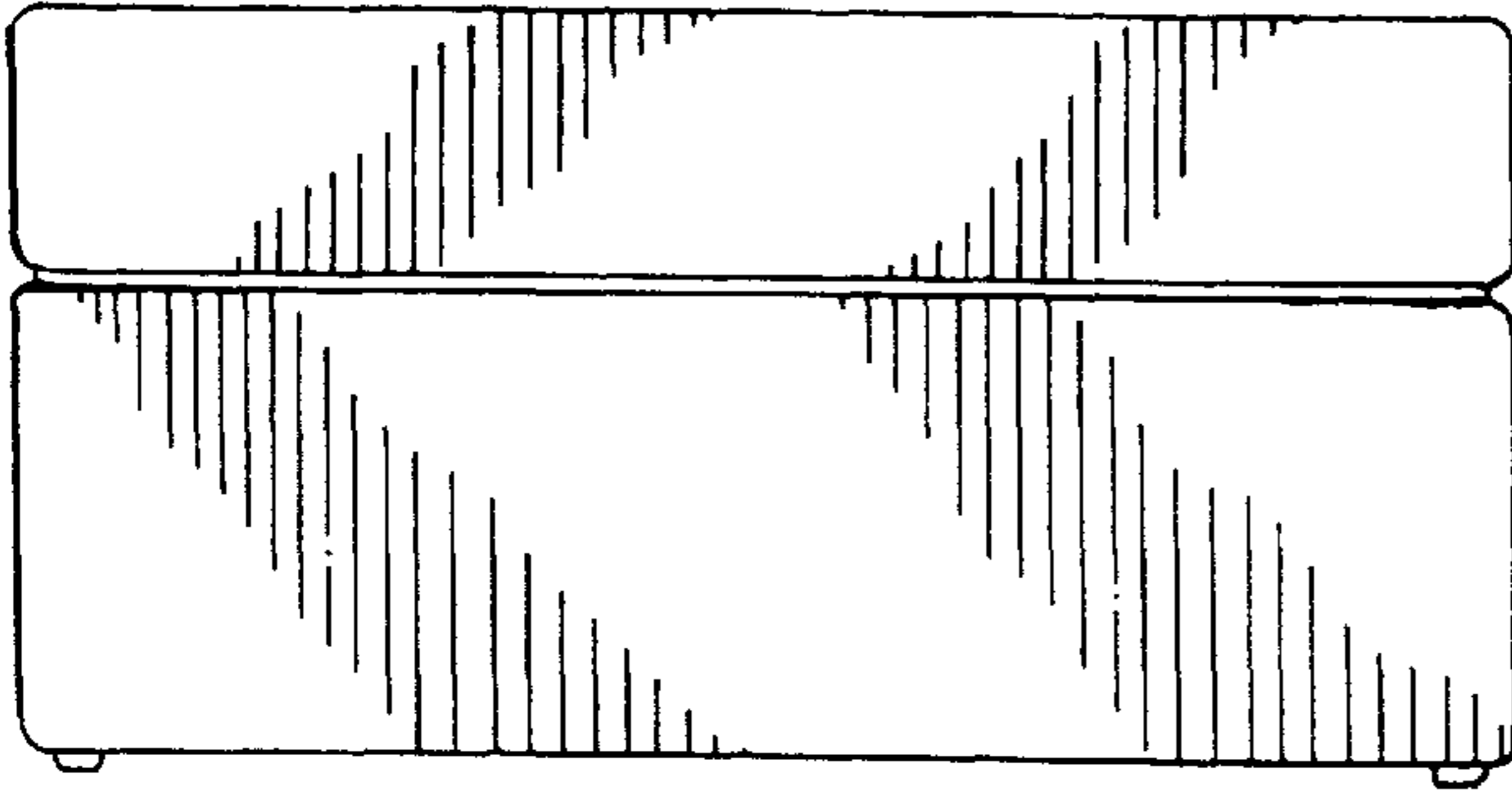


FIG. 7

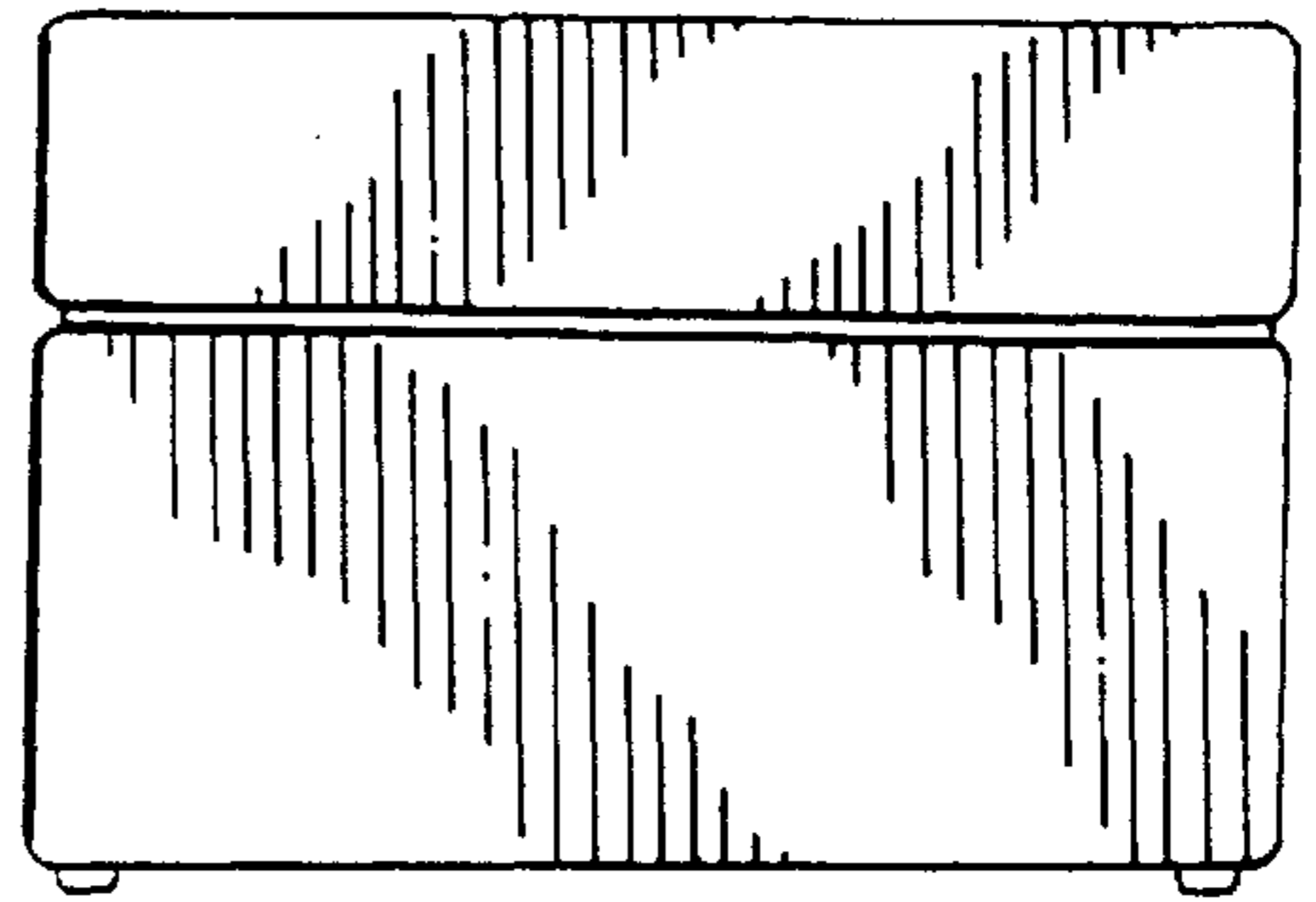


FIG. 10

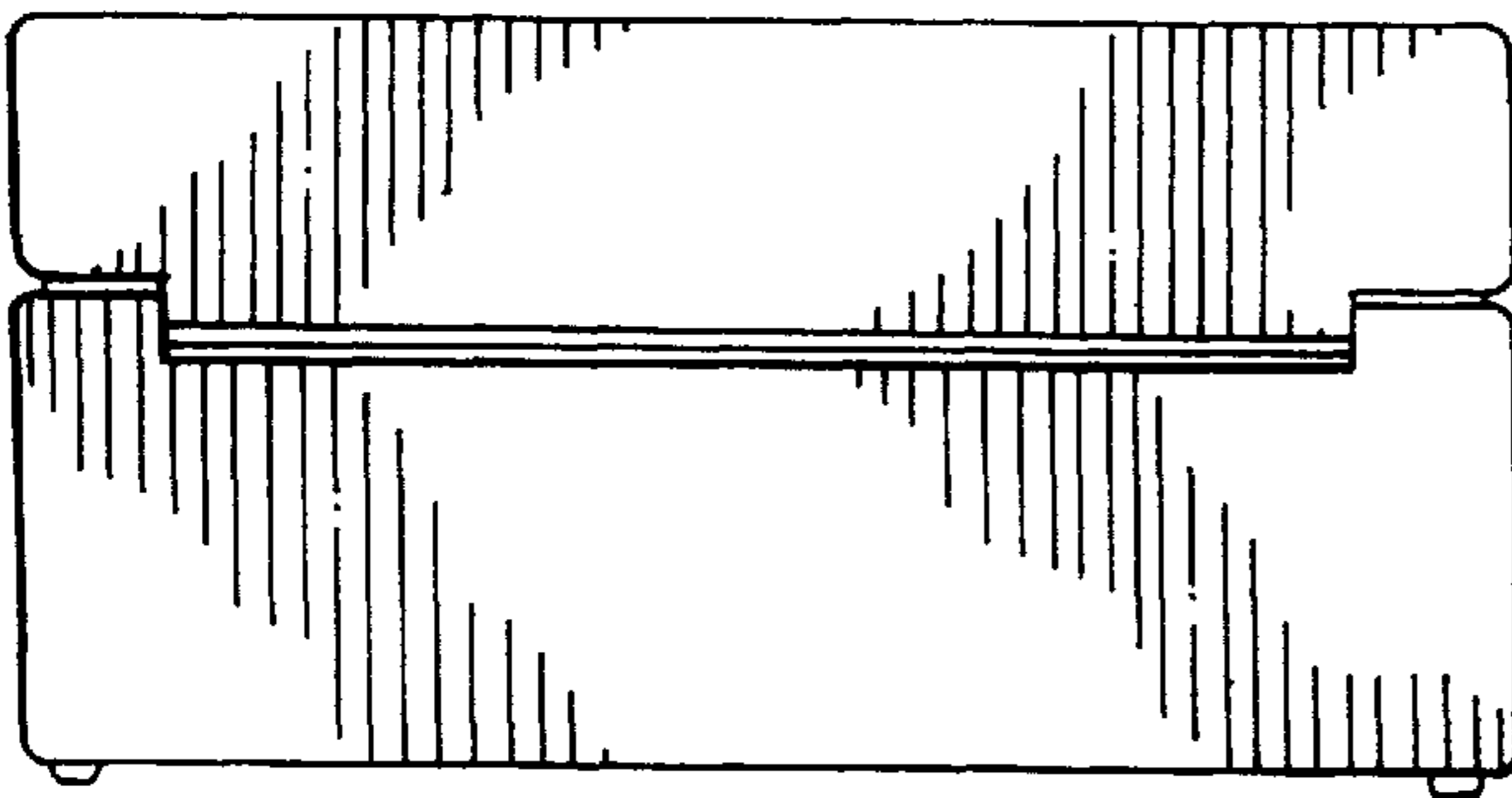


FIG. 8

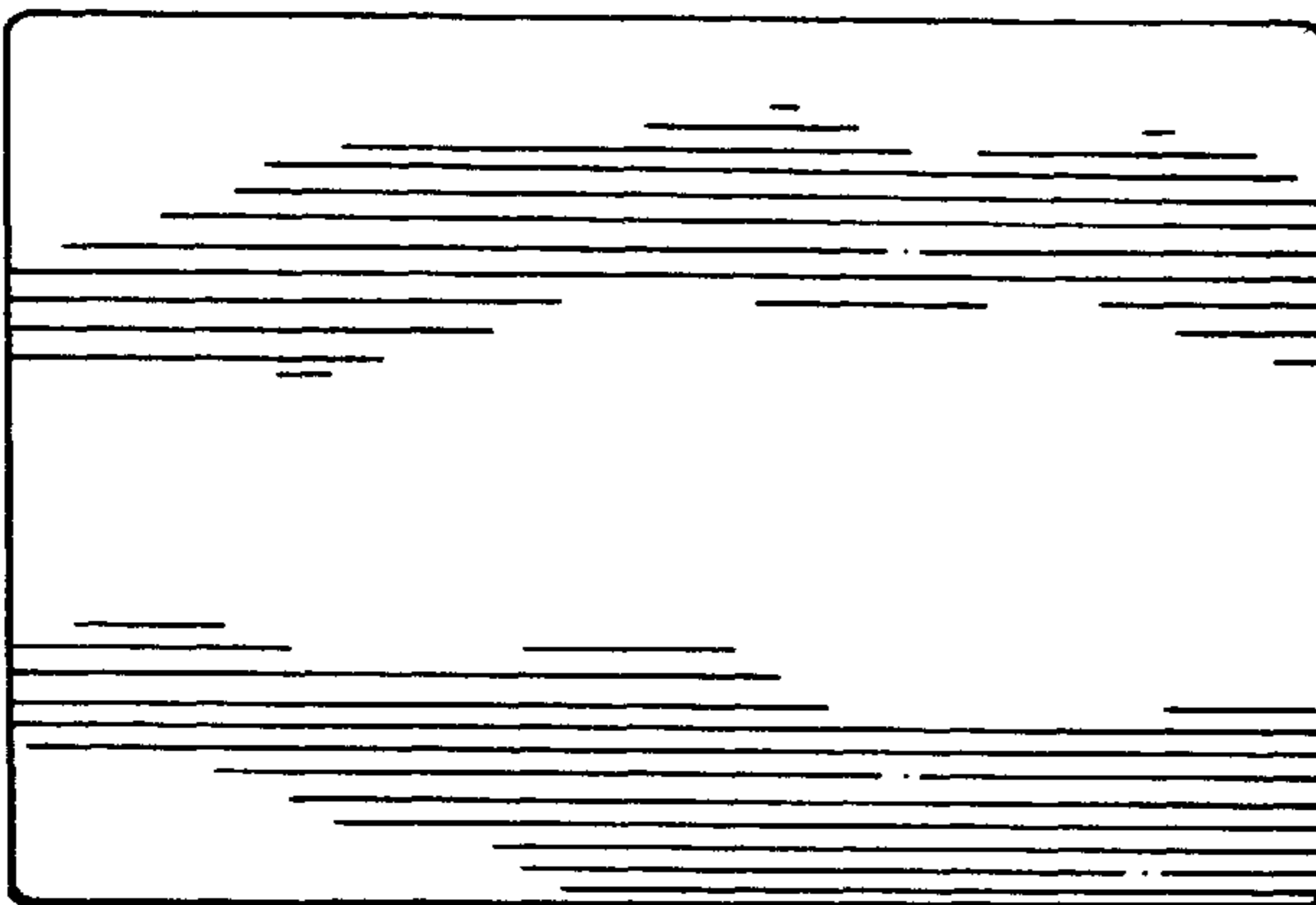


FIG. 9

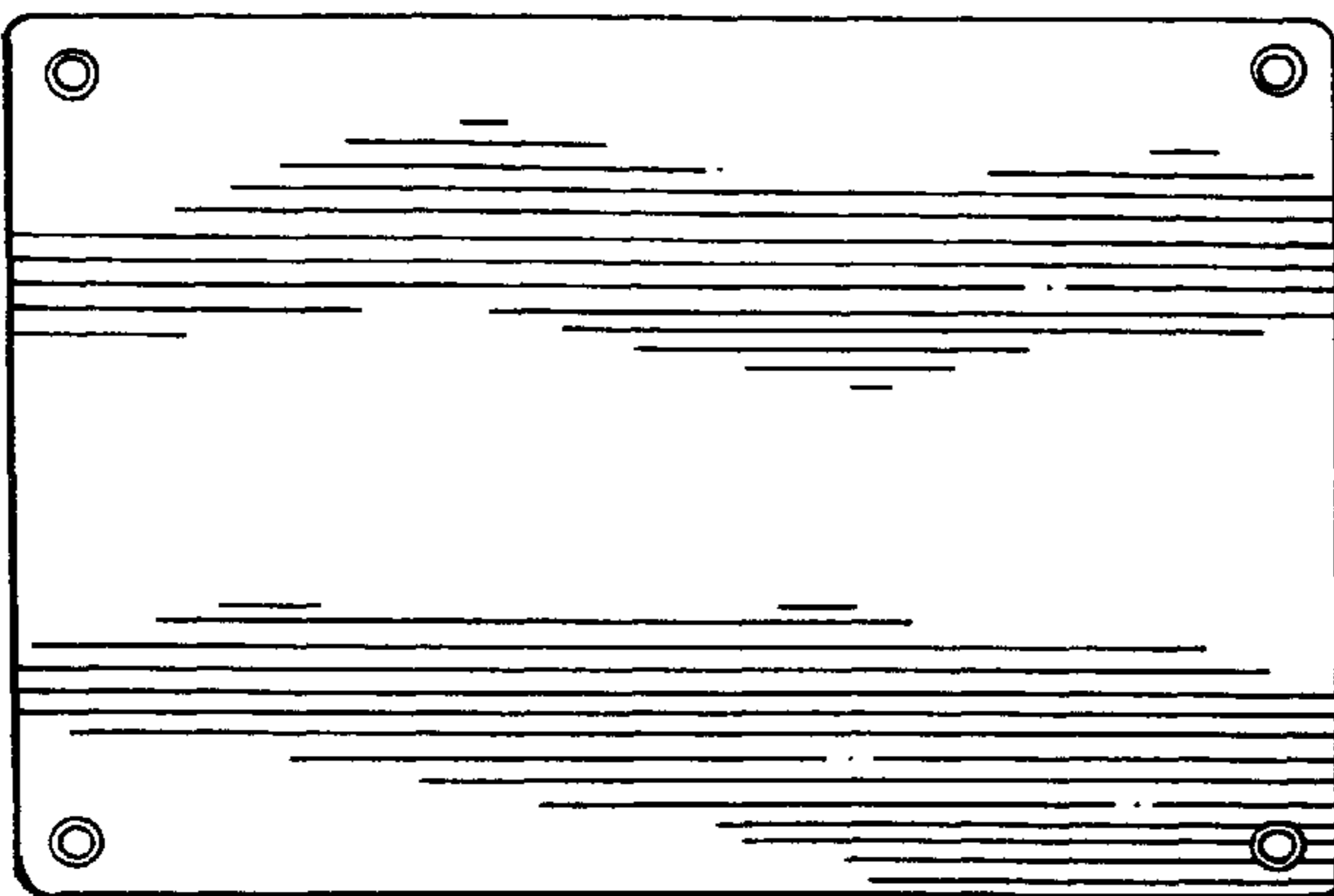


FIG. 11

FIG. 12

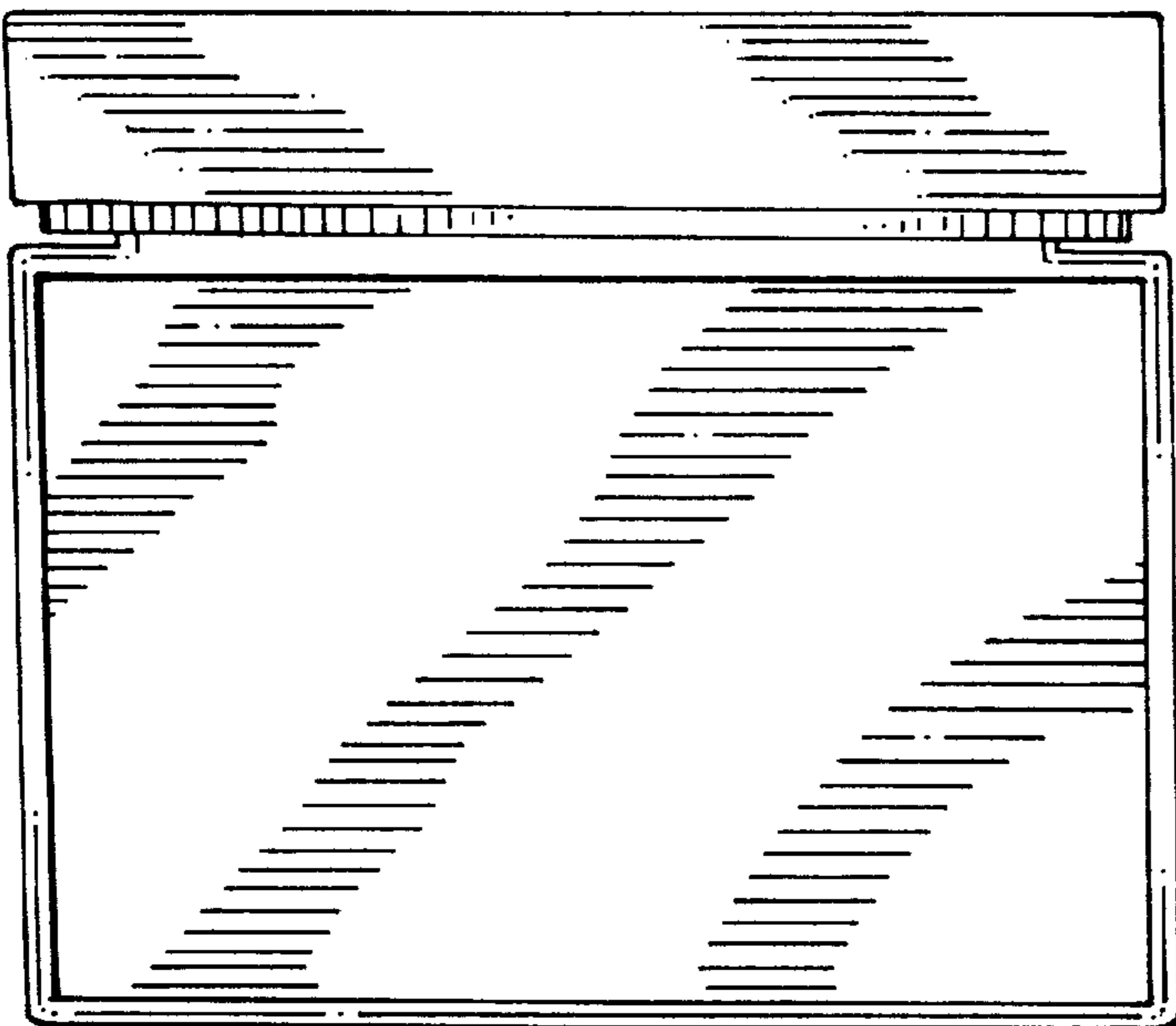
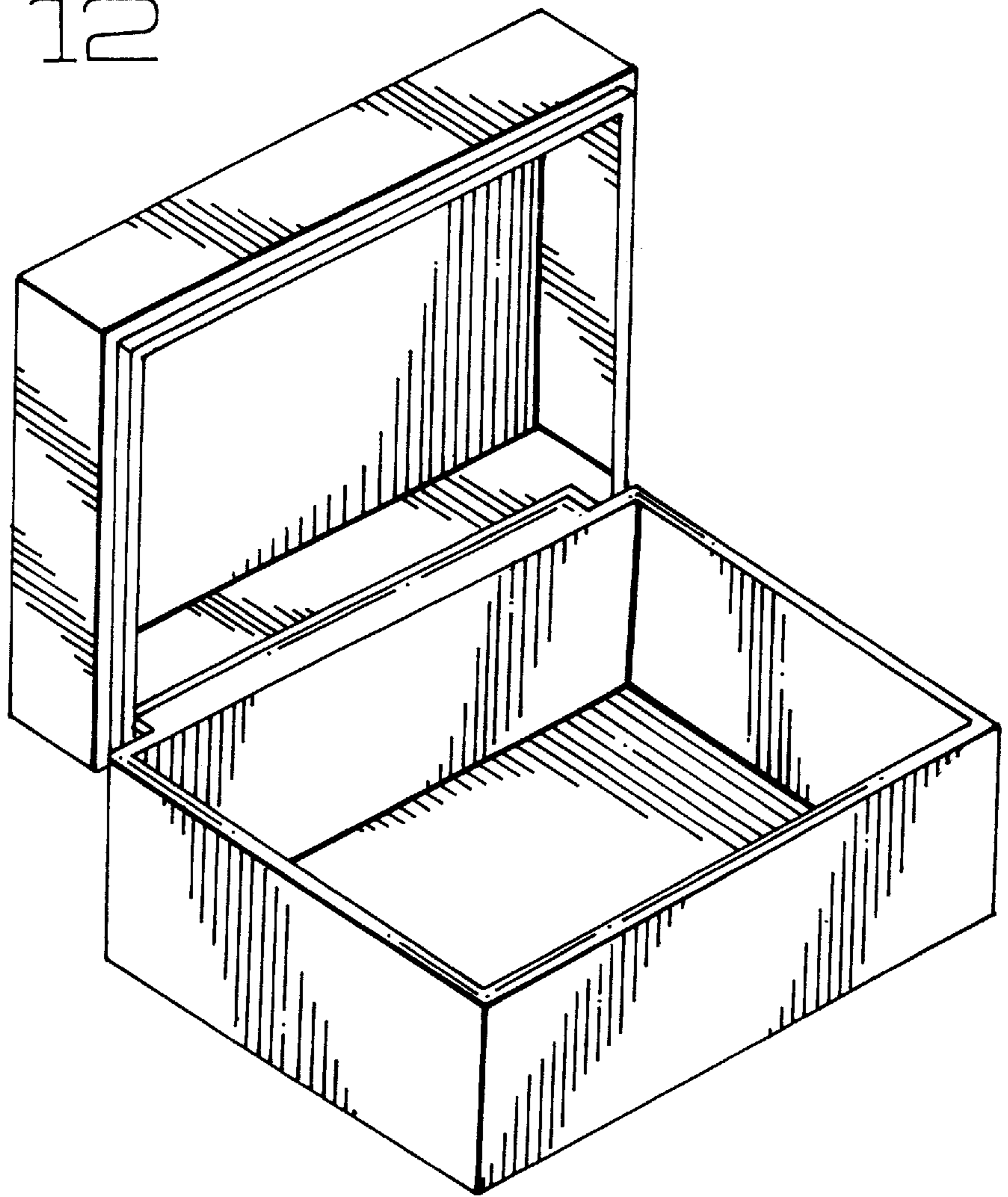


FIG. 13

FIG. 14

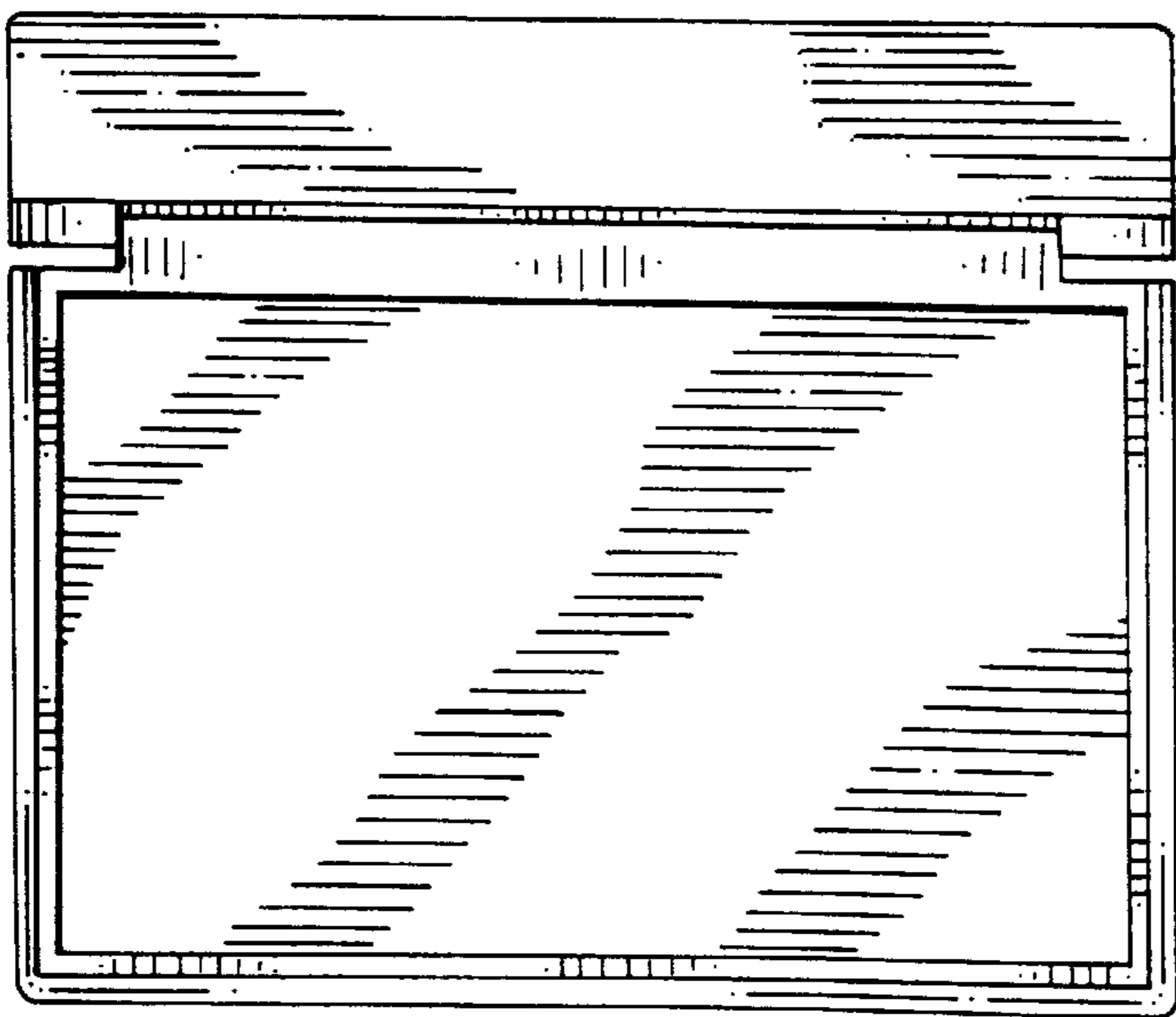
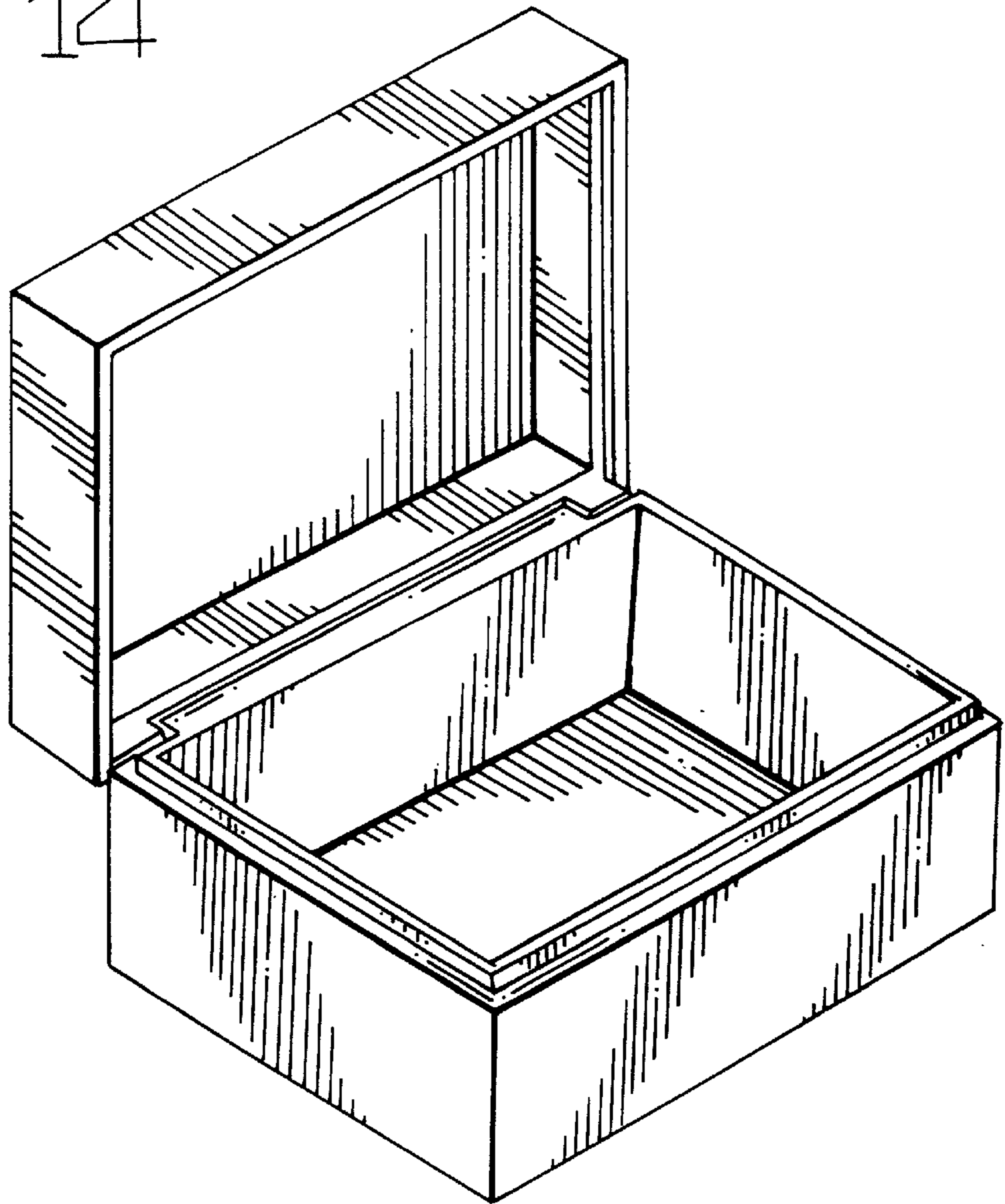


FIG. 15

FIG. 16

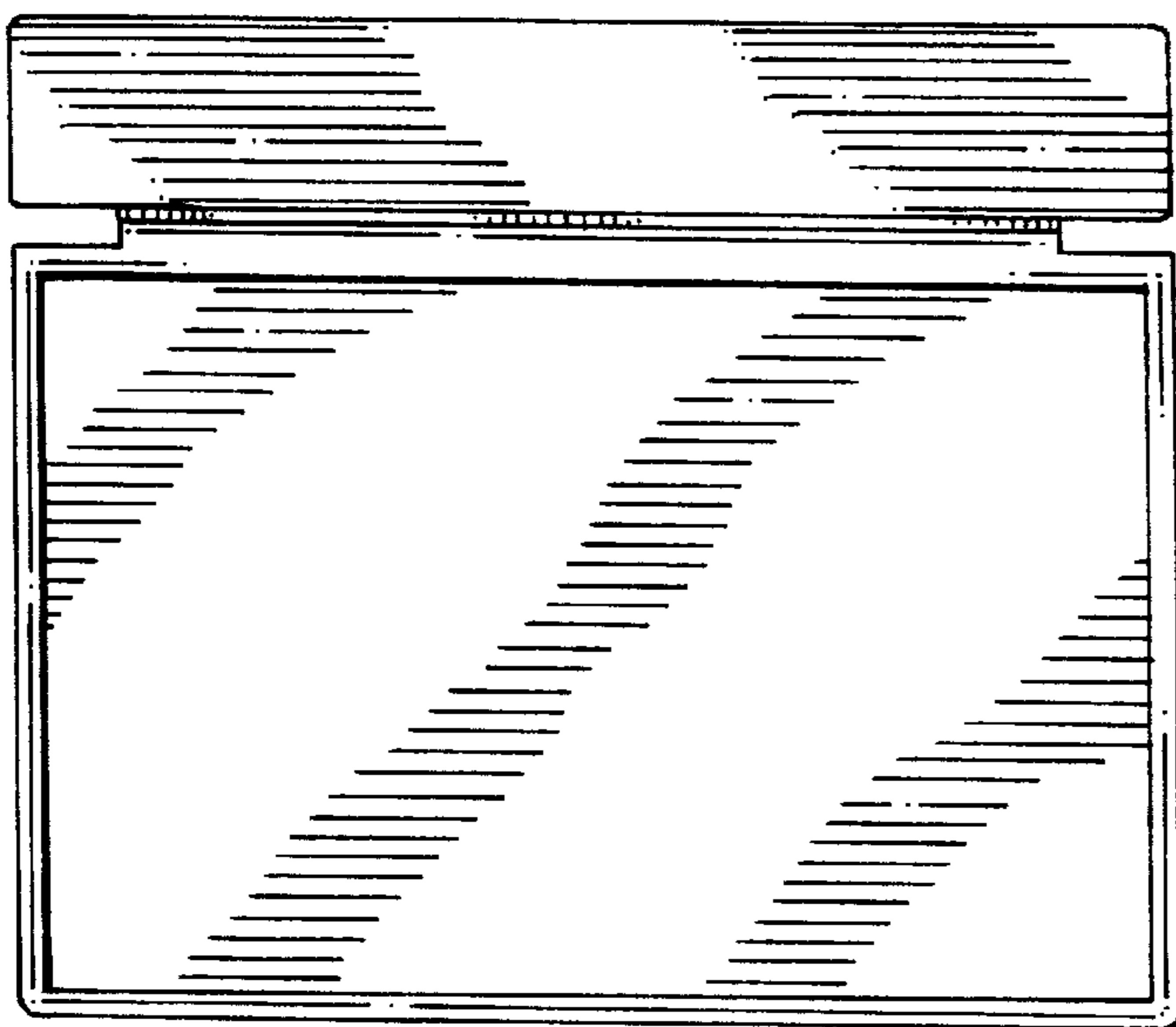
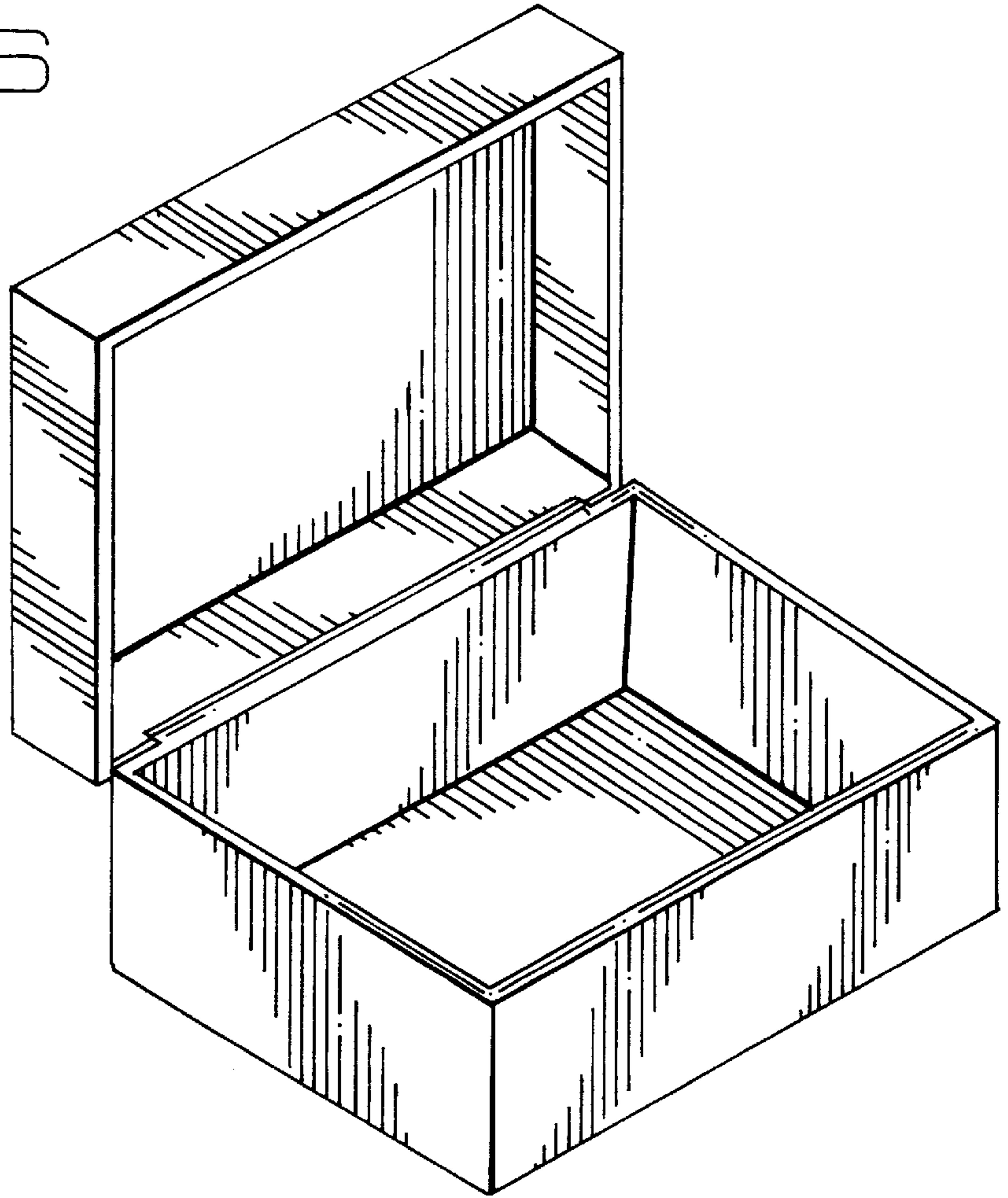


FIG. 17

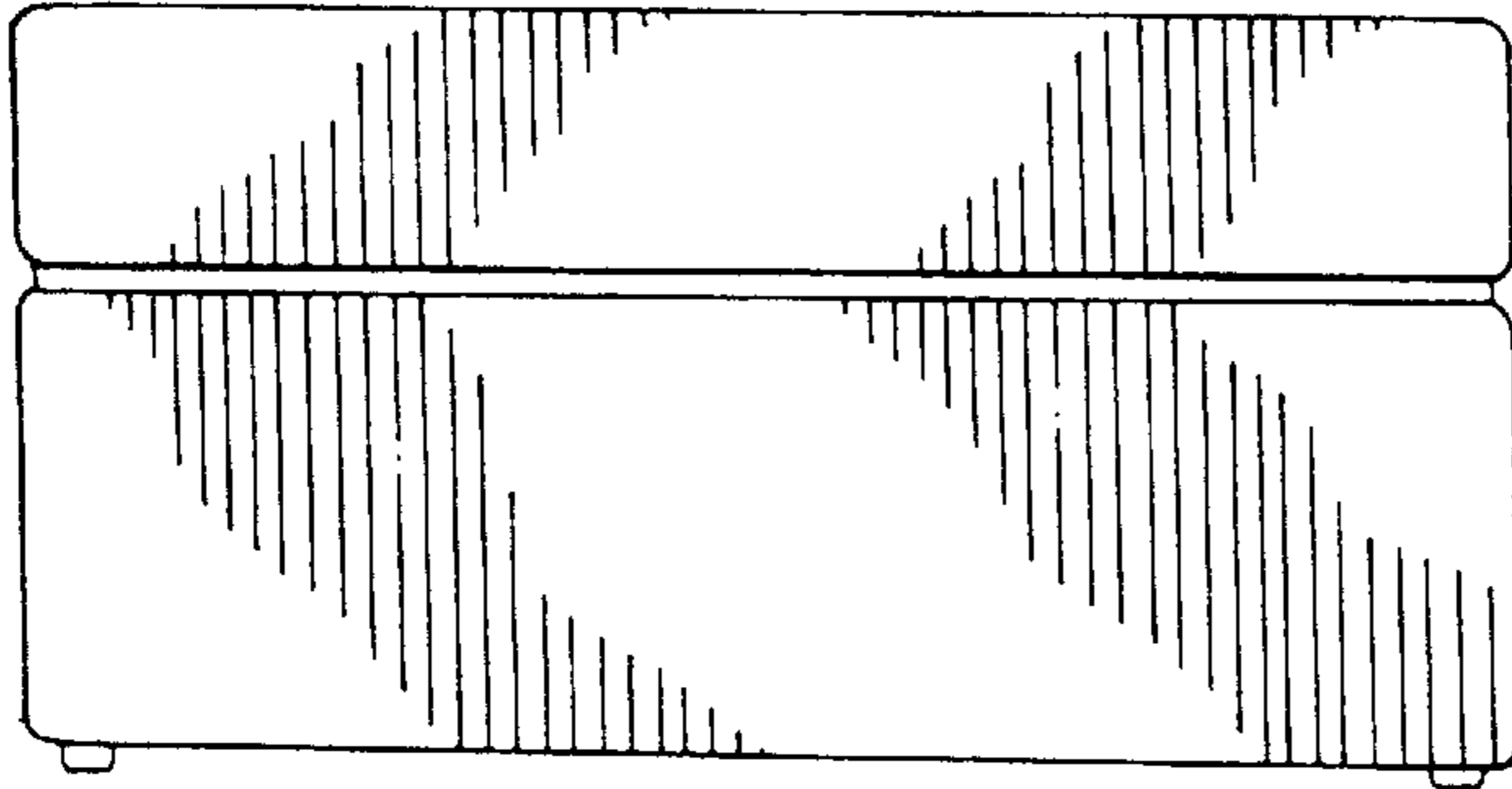


FIG. 18

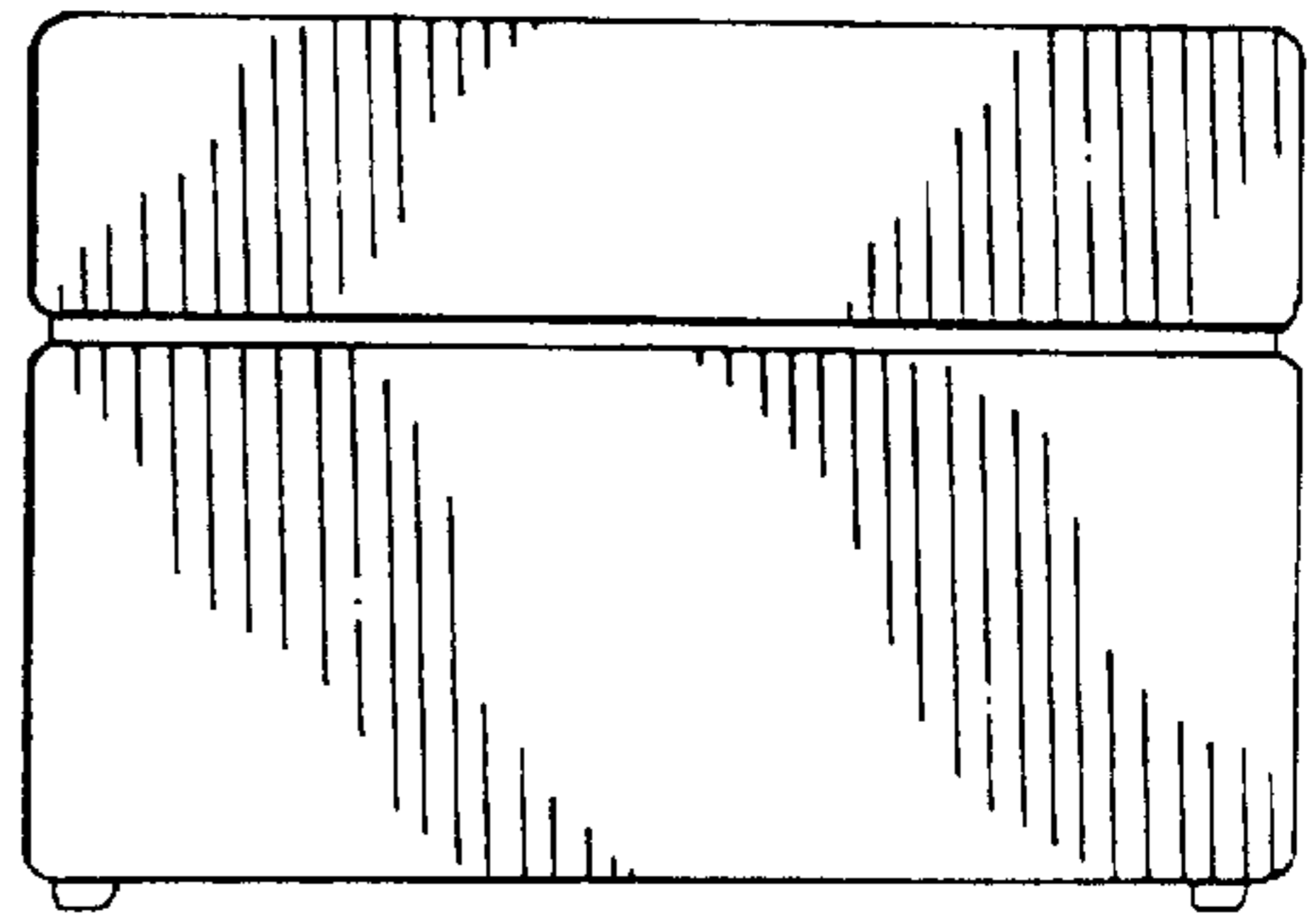


FIG. 21

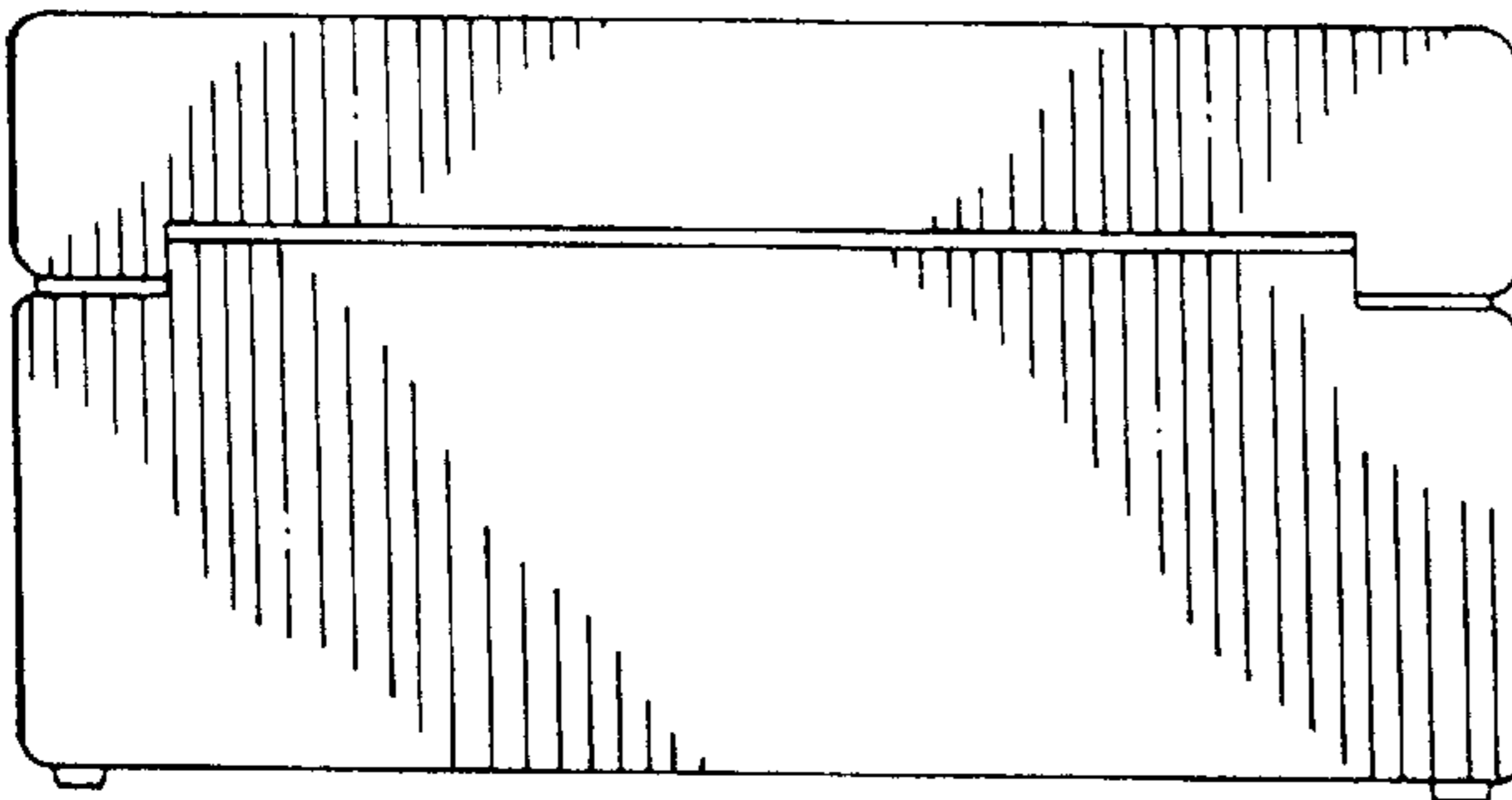


FIG. 19

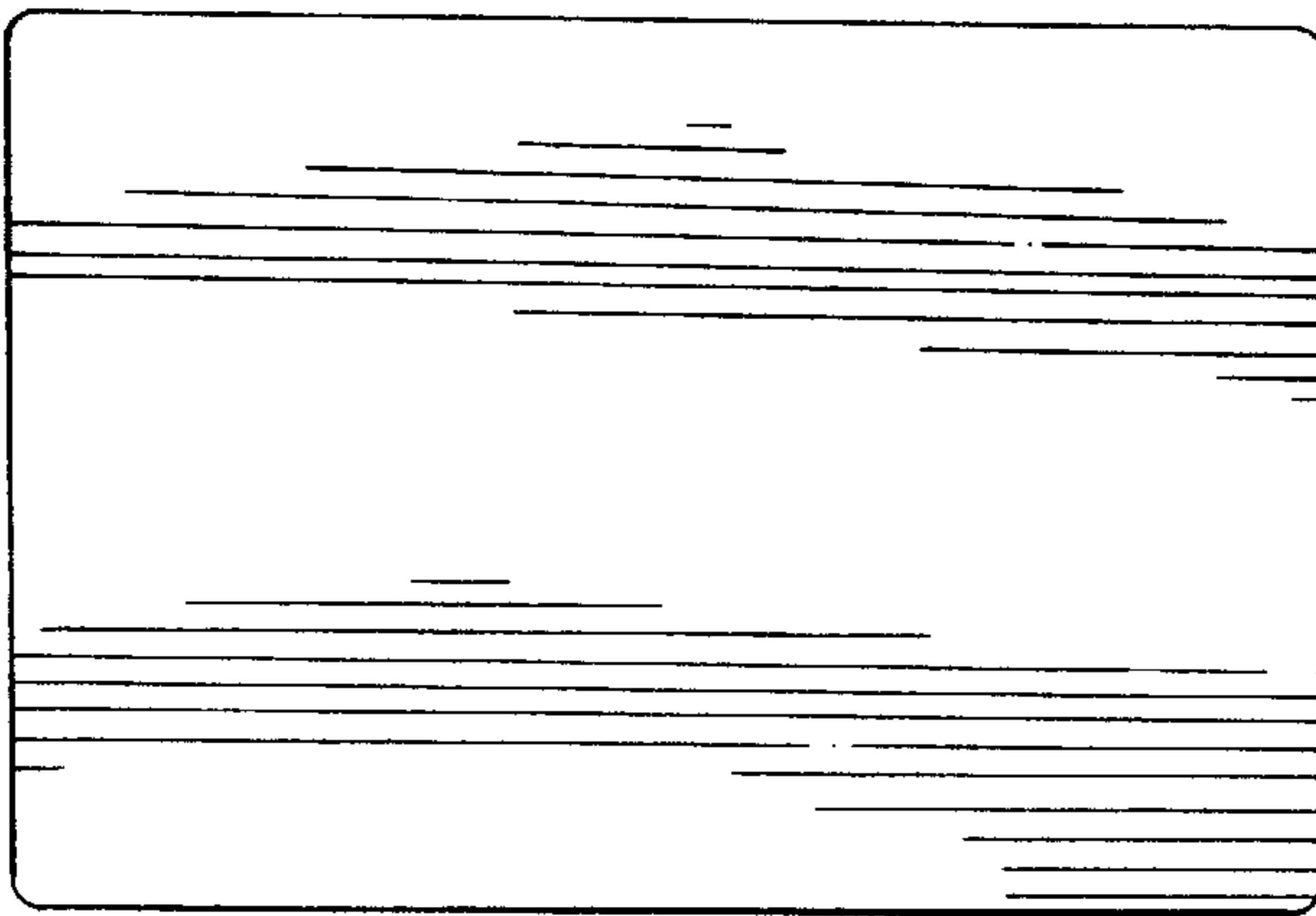


FIG. 20

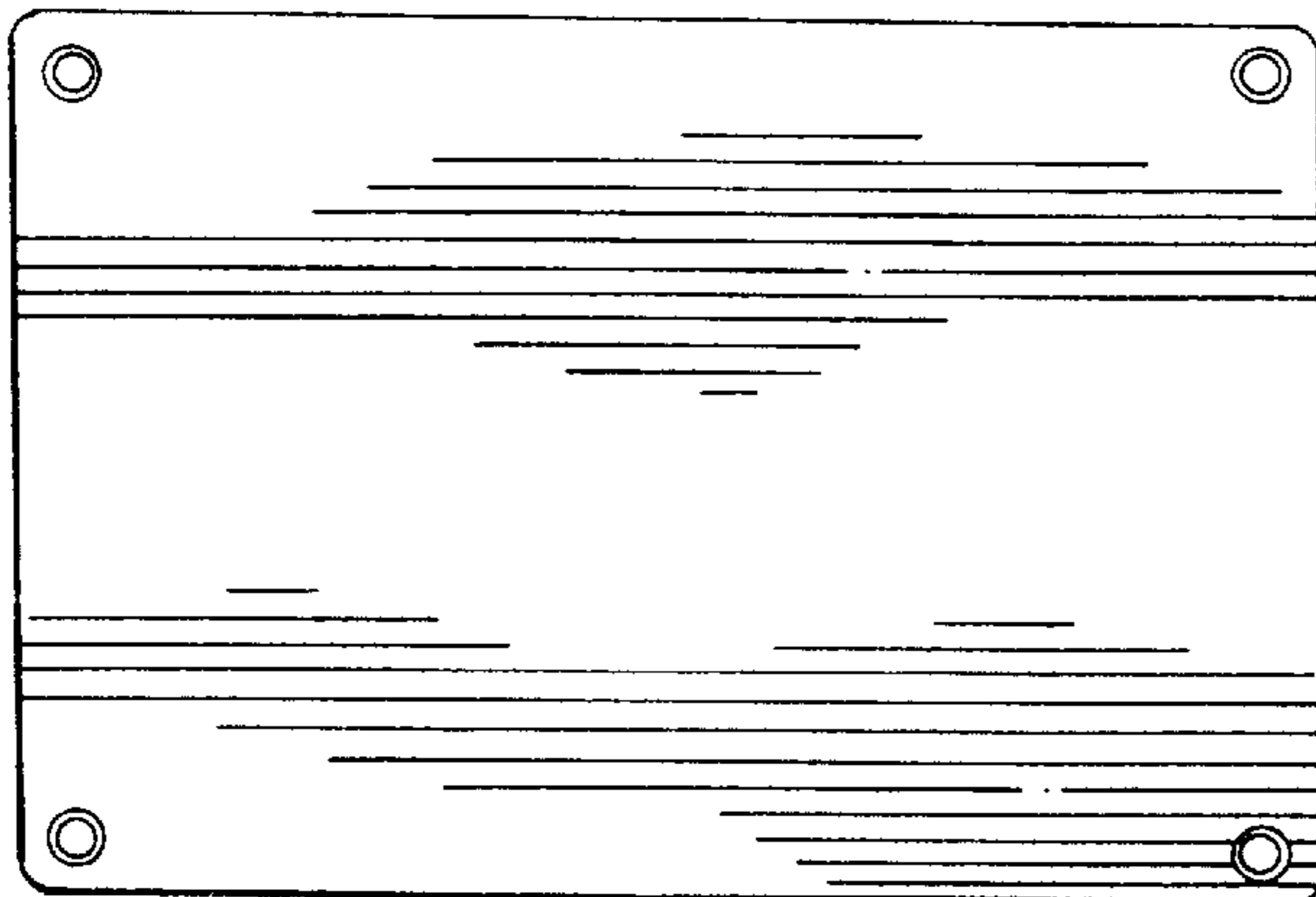


FIG. 22