



US00D409328S

United States Patent [19]
Sigrist

[11] **Patent Number: Des. 409,328**

[45] **Date of Patent: ** May 4, 1999**

[54] **TOBACCO SMOKING PIPE**

[76] Inventor: **Erik O. Sigrist**, 19275 SW. Anderson,
Aloha, Oreg. 97007

[**] Term: **14 Years**

[21] Appl. No.: **29/074,265**

[22] Filed: **Jul. 14, 1997**

[51] **LOC (6) Cl.** **27-02**

[52] **U.S. Cl.** **D27/165; D27/163**

[58] **Field of Search** 131/329, 330,
131/178, 192, 180, 200, 202, 205; D27/163,
164, 165, 166, 167, 168, 169, 154, 139

[56] **References Cited**

U.S. PATENT DOCUMENTS

D. 247,122 1/1978 Yoshinaga D27/154

OTHER PUBLICATIONS

P. 12 of the Tinder Box Catalog — all pipes shown, 1983.
P-RW-1134, Barmes Wholesale, p. 8, Sep. 1996.

Primary Examiner—Susan J. Lucas
Assistant Examiner—Jennifer Rivard
Attorney, Agent, or Firm—Keith A. Cushing

[57] **CLAIM**

The ornamental design for a tobacco smoking pipe, as shown and described.

DESCRIPTION

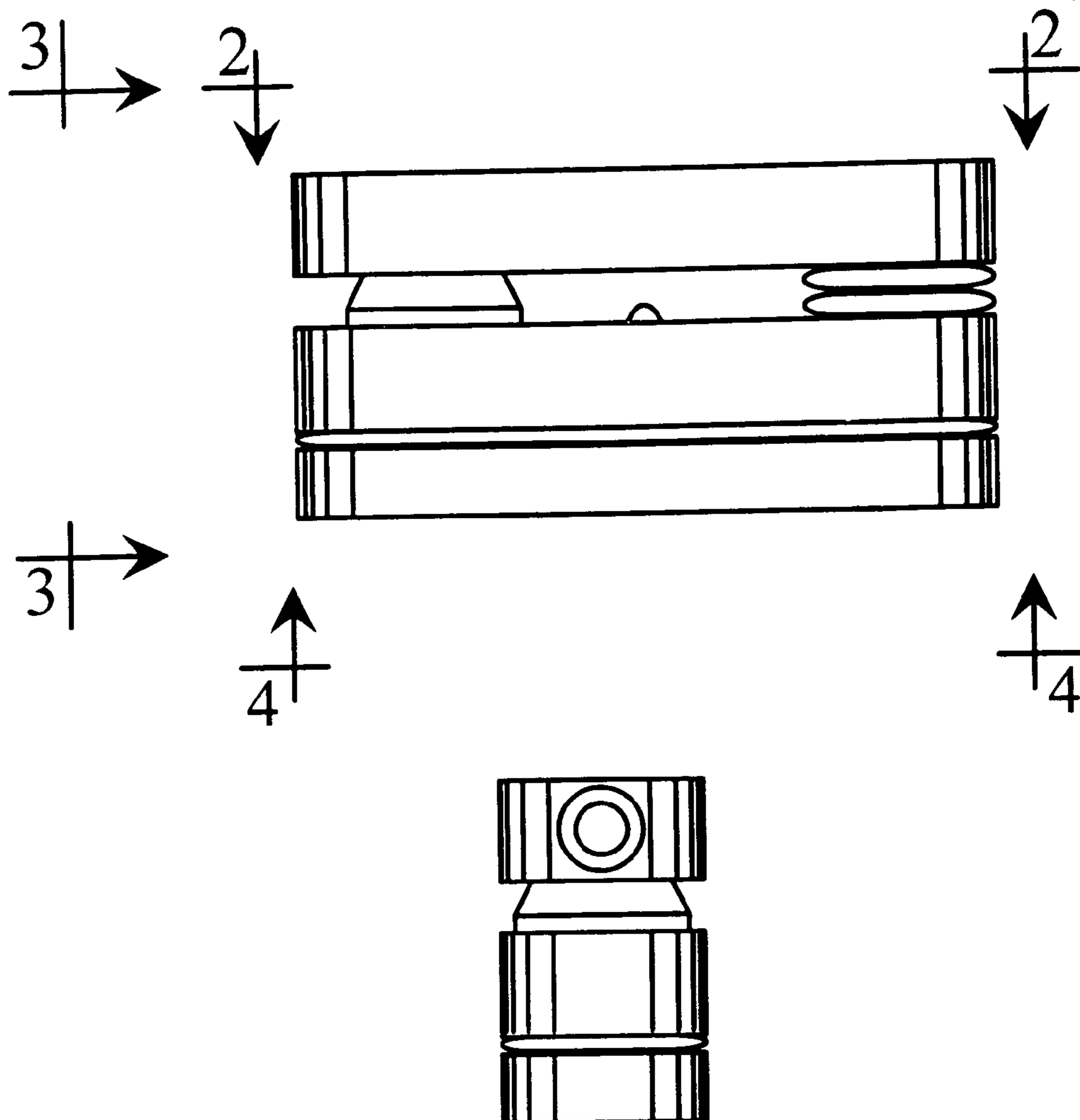
FIG. 1 is a front view of a tobacco smoking pipe, the rear view being a mirror image.

FIG. 2 is a top view of the smoking pipe of FIG. 1 as taken along lines 2—2 of FIG. 1.

FIG. 3 is an end view of the smoking pipe of FIG. 1 as taken along lines 3—3 FIG. 1.

FIG. 4 is a bottom view of the smoking pipe of FIG. 1 as taken along lines 4—4 of FIG. 1.

1 Claim, 1 Drawing Sheet



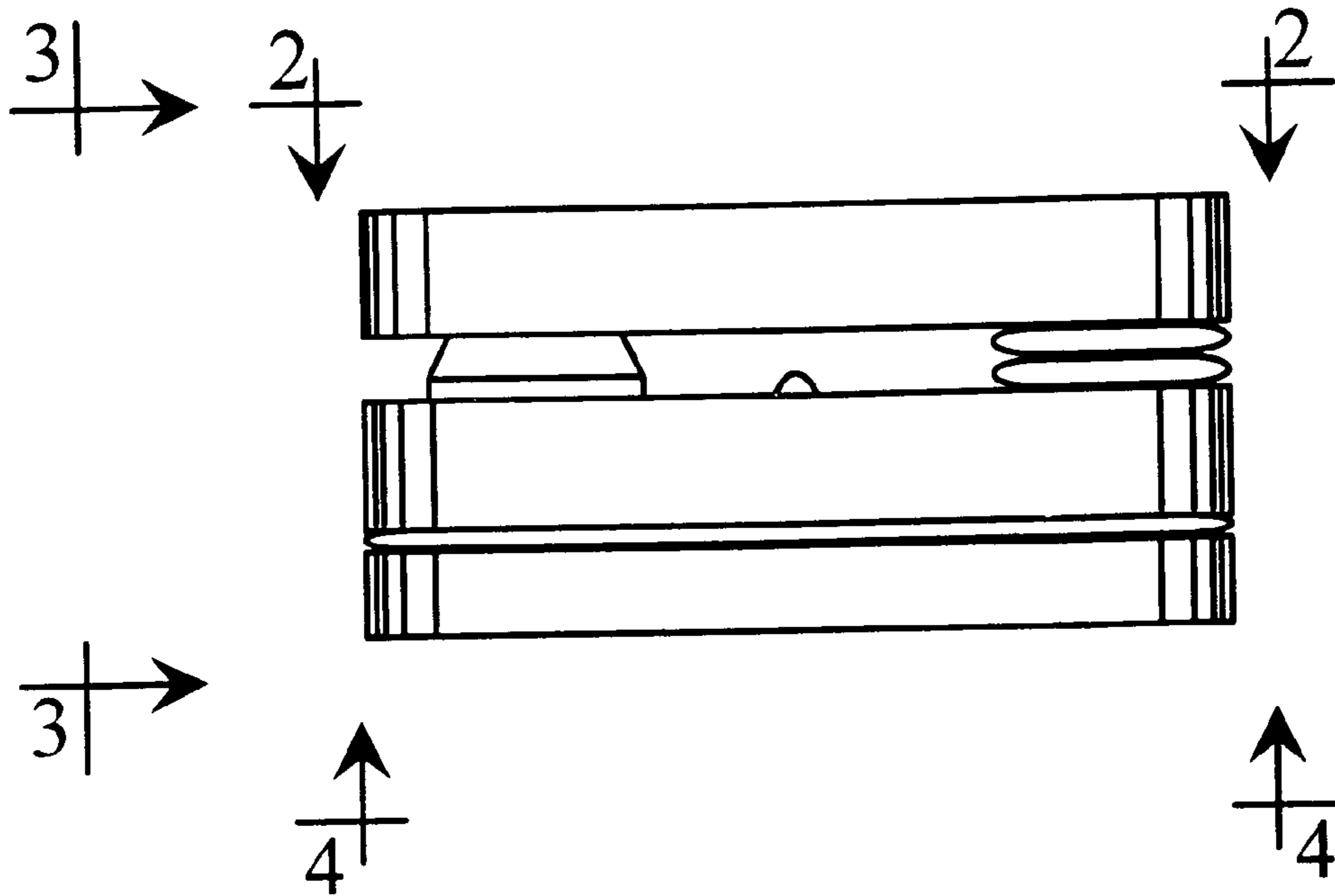


FIG. 1

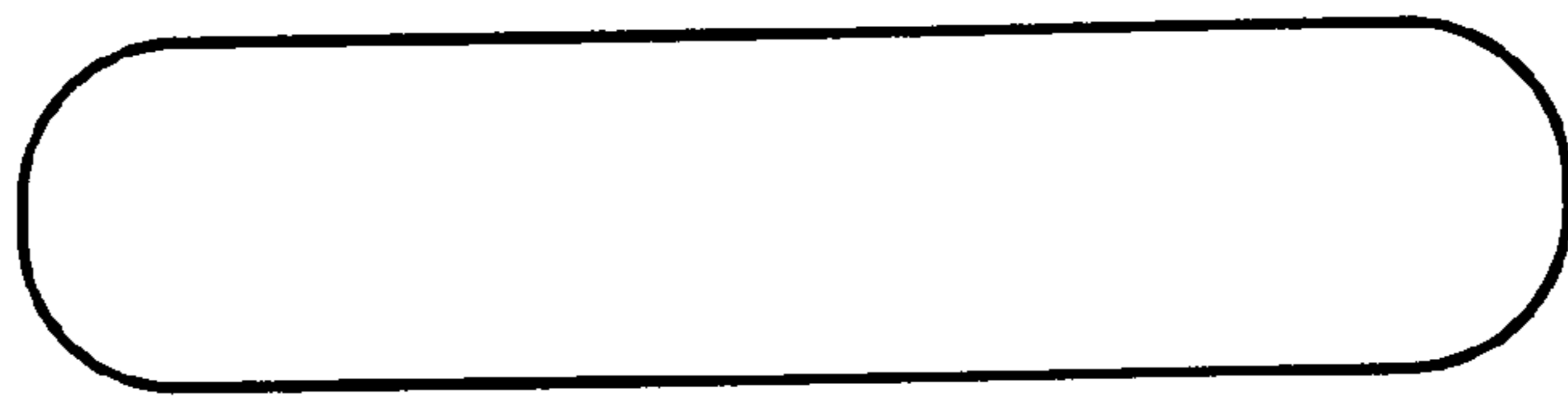


FIG. 2

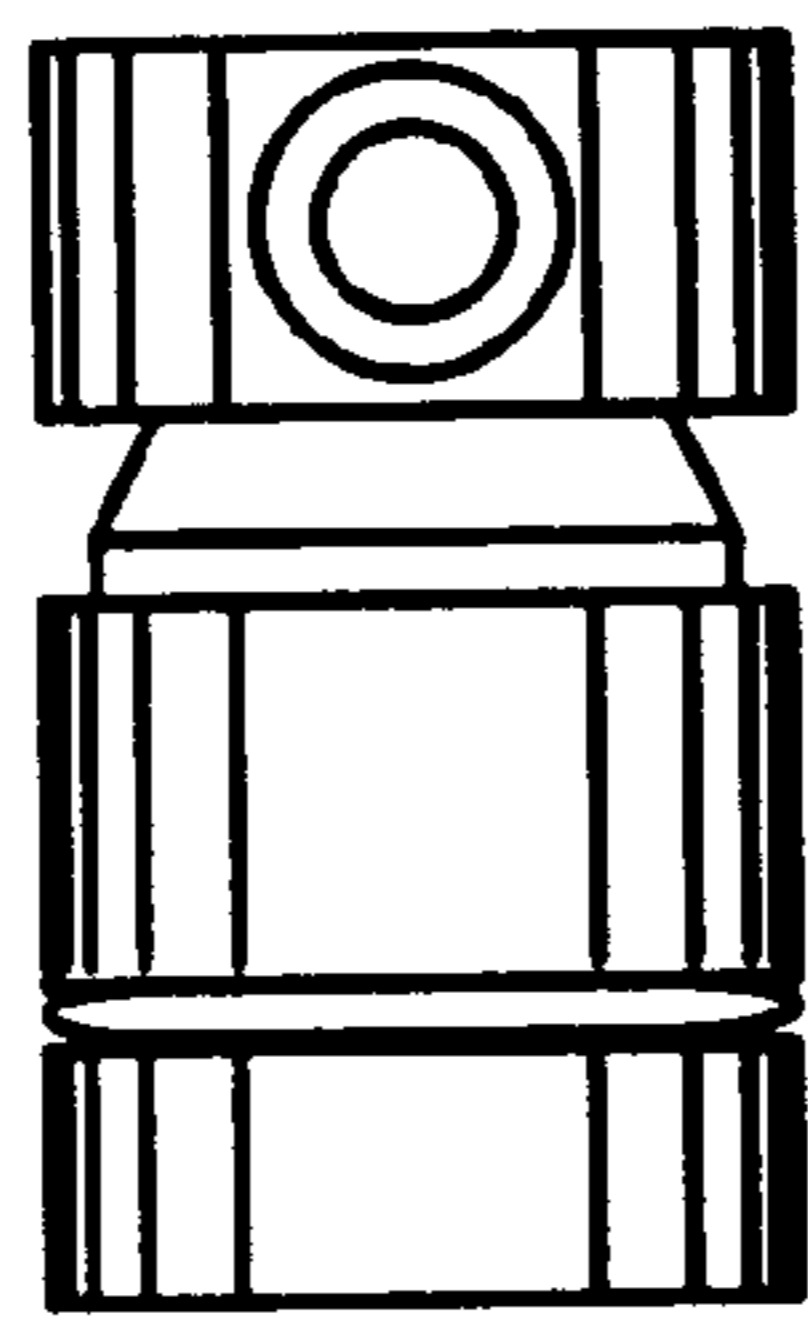


FIG. 3

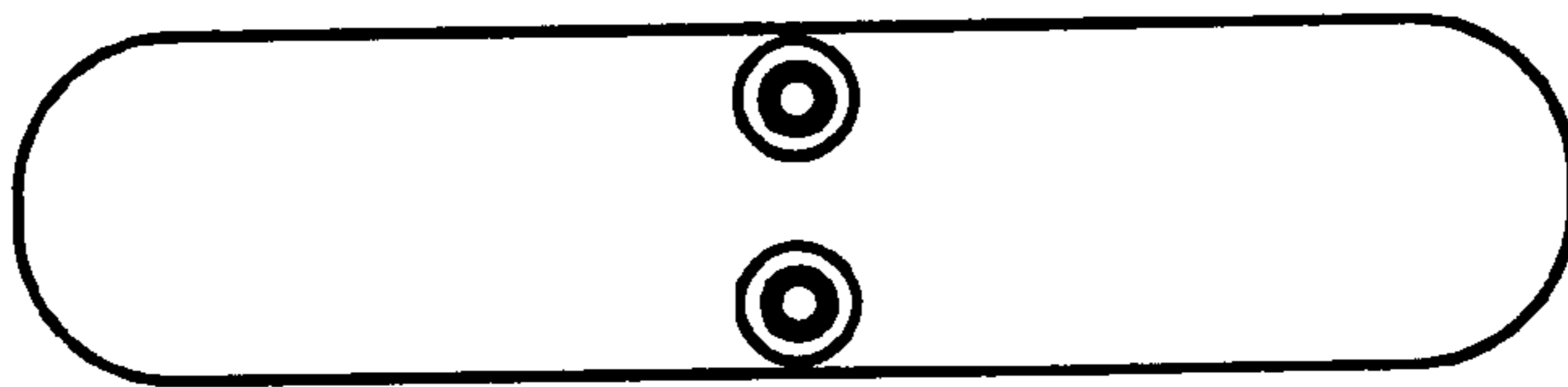


FIG. 4