



US00D409327S

United States Patent [19] Brock

[11] **Patent Number: Des. 409,327**

[45] **Date of Patent: ** May 4, 1999**

[54] **CIGARETTE EXTINGUISHER**

5,499,634 3/1996 Herrmsnn 131/256

[76] Inventor: **James W. Brock**, 3571 NW. Shadeland Rd., Marion, Ind. 46952

Primary Examiner—Susan J. Lucas
Assistant Examiner—Jennifer Rivard

[**] Term: **14 Years**

[57] **CLAIM**

[21] Appl. No.: **29/085,081**

The ornamental design for a cigarette extinguisher, as shown and described.

[22] Filed: **Mar. 16, 1998**

DESCRIPTION

[51] **LOC (6) Cl.** **27-03**

[52] **U.S. Cl.** **D27/136; D27/192; D19/51**

[58] **Field of Search** 206/242, 267; 131/178, 237.5, 235.1, 237, 256; D19/45, 51; D27/172, 183, 186, 188, 189, 190, 192, 106, 102, 136

FIG. 1 is a front elevational view of the cigarette extinguisher showing my new design; FIG. 2 is a rear elevational view thereof; FIG. 3 is a right side view thereof; FIG. 4 is a left side view thereof; FIG. 5 is a top plan view thereof; FIG. 6 is a bottom plan view thereof; and, FIG. 7 is an exploded perspective view of the present invention.

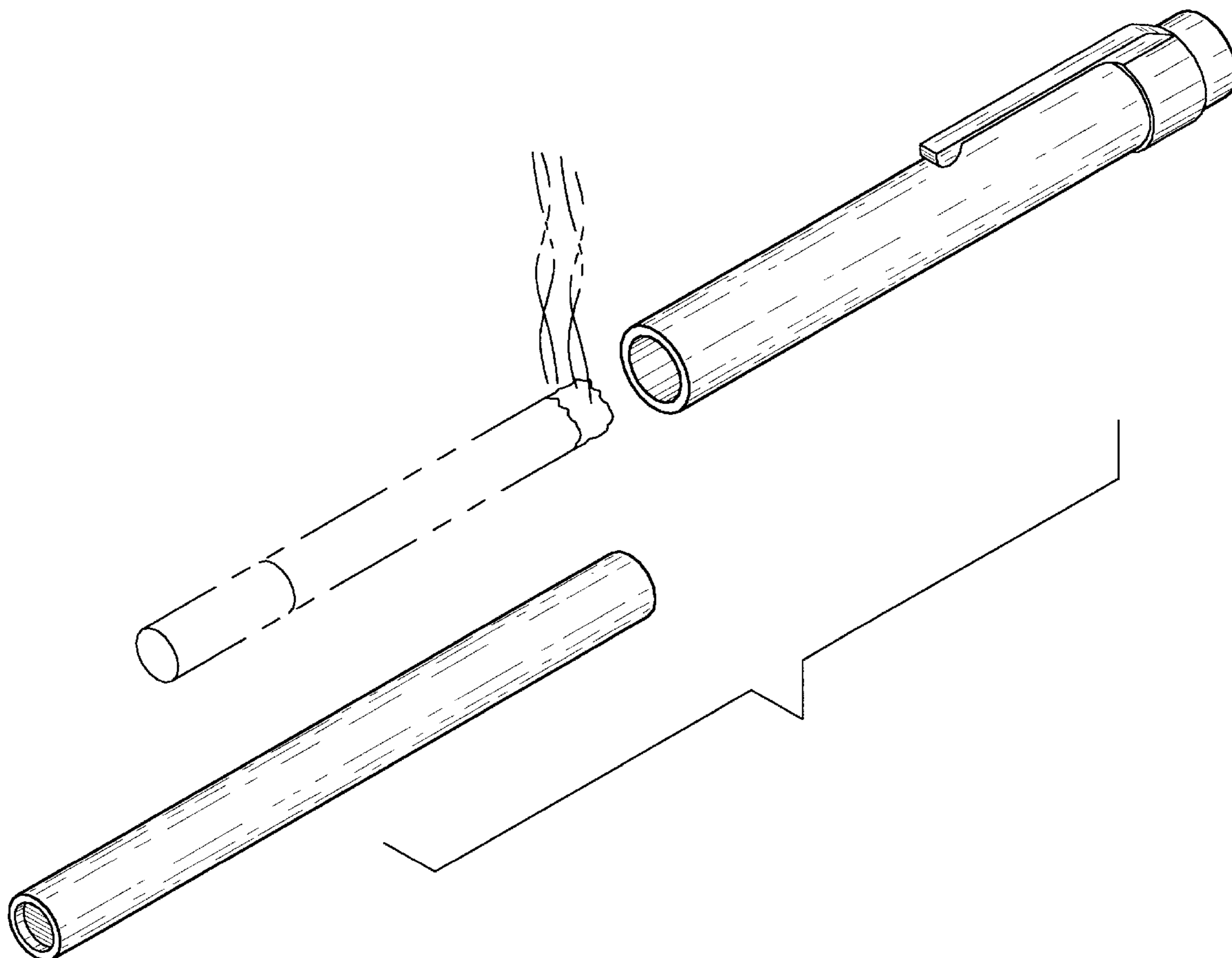
[56] **References Cited**

U.S. PATENT DOCUMENTS

D. 247,246	2/1978	Verona	D19/45
D. 259,217	5/1981	Smith	D27/136
1,728,474	9/1929	Brosius	206/242
4,777,968	10/1988	Beloff	131/256
5,385,157	1/1995	Smith et al.	131/256

In FIG. 7, the broken line showing of a cigarette is for illustrative purposes only and forms no part of the claimed design.

1 Claim, 3 Drawing Sheets



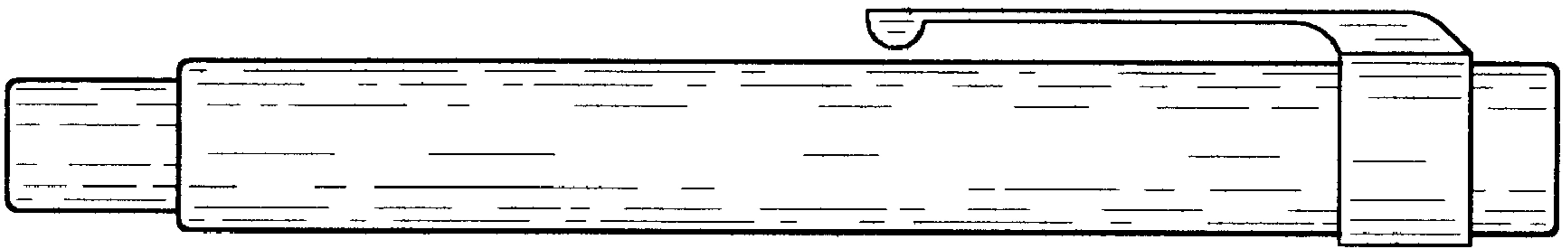


Fig. 1

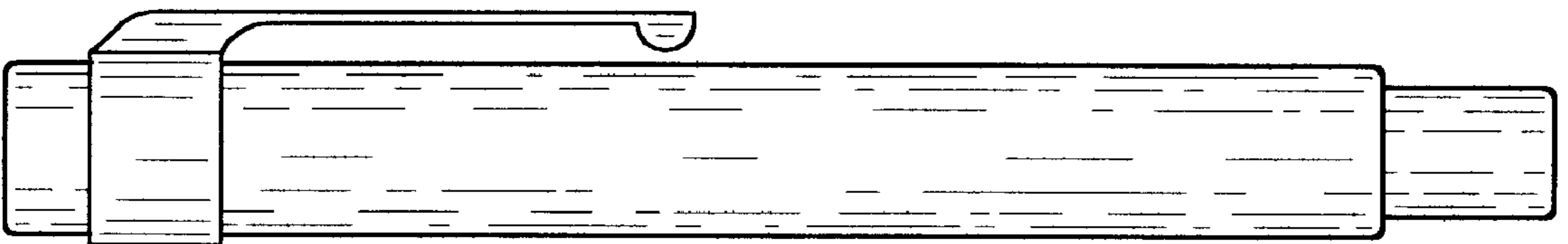


Fig. 2



Fig. 3



Fig. 4

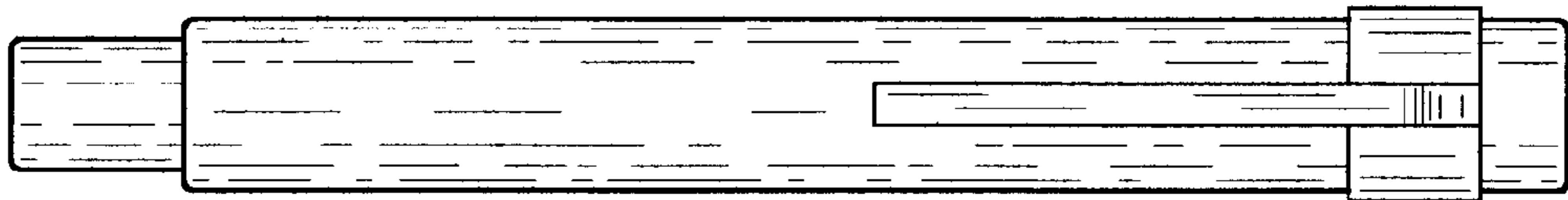


Fig. 5

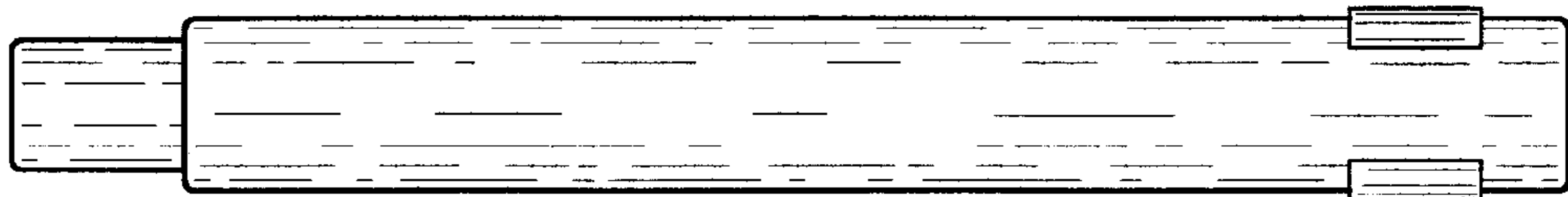


Fig. 6

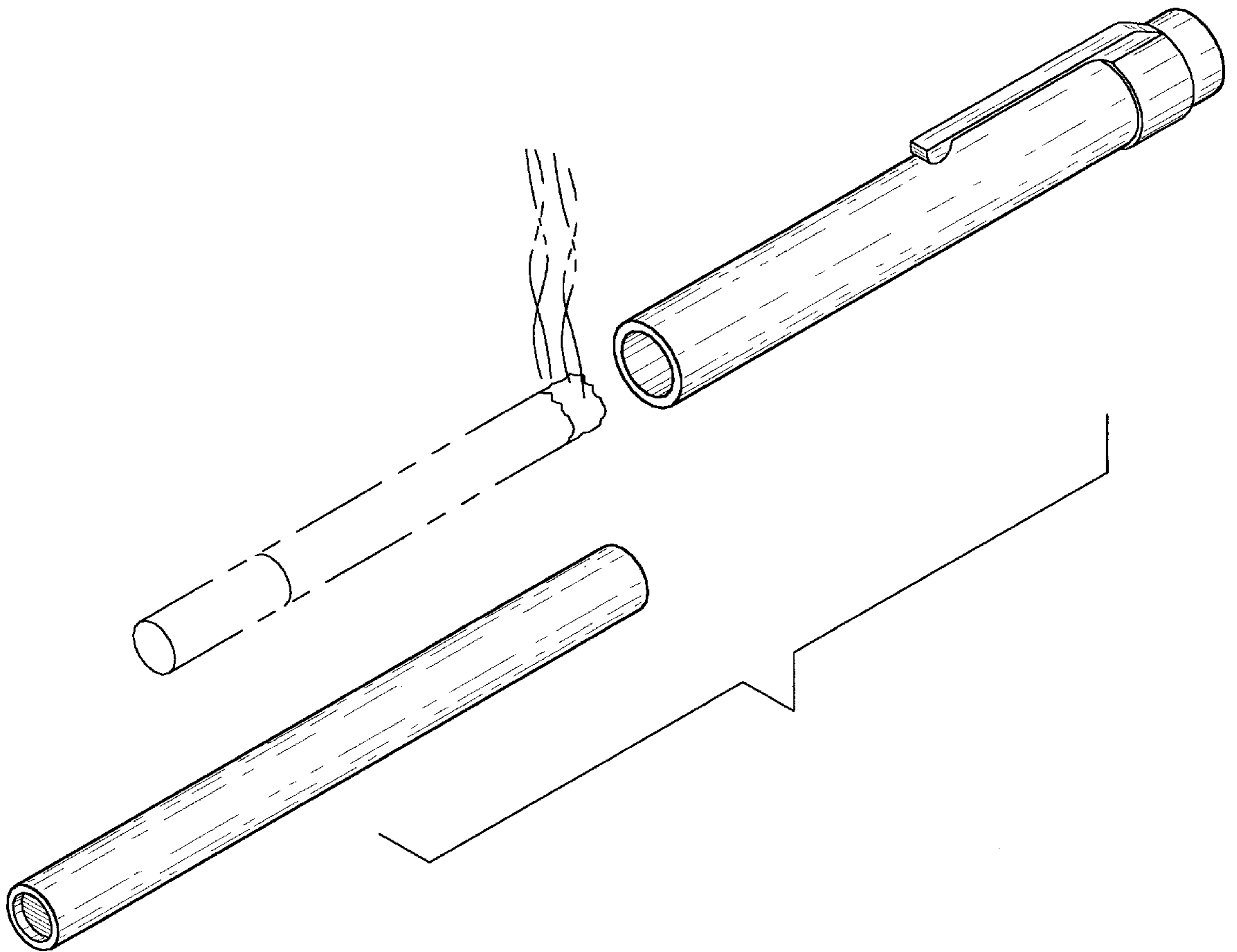


Fig. 7