



US00D409325S

# United States Patent [19]

[11] Patent Number: Des. 409,325

Holder et al.

[45] Date of Patent: \*\* May 4, 1999

## [54] RECESSED WALL MOUNTED LIGHTING FIXTURE

[75] Inventors: **Gregory Randal Holder; David Richard Ranieri**, both of Conyers, Ga.; **James Robert Benya**, West Linn, Oreg.

[73] Assignee: **National Service Industries, Inc.**, Atlanta, Ga.

[\*\*] Term: **14 Years**

[21] Appl. No.: **29/091,251**

[22] Filed: **Jul. 24, 1998**

[51] **LOC (6) Cl.** ..... **26-05**

[52] **U.S. Cl.** ..... **D26/74**

[58] **Field of Search** ..... D26/74, 72, 87; 362/147, 432, 364, 365; D16/76, 77, 78

## [56] References Cited

### U.S. PATENT DOCUMENTS

D. 104,033	4/1937	Kanter .....	D26/85
D. 284,110	6/1986	Mullins .....	D26/76
D. 363,805	10/1995	Cole, Jr. ....	D26/76
D. 364,479	11/1995	Gilbert .....	D26/85
D. 365,649	12/1995	Herst et al. ....	D26/77
D. 397,480	8/1998	Herst et al. ....	D26/77
D. 399,586	10/1998	Ranieri et al. ....	D26/74
D. 399,588	10/1998	St. Ives .....	D26/76
4,519,019	5/1985	Hall .....	362/147
4,748,543	5/1988	Swarens .....	362/147

Primary Examiner—Susan J. Lucas  
Attorney, Agent, or Firm—Kenneth E. Darnell

## [57] CLAIM

The ornamental design of a recessed wall mounted lighting fixture, as shown and described.

## DESCRIPTION

FIG. 1 is a perspective view taken from one side of the recessed wall mounted lighting fixture of the invention mounted in a recessed configuration in a wall and having a diffuser structure which is unpatterned;

FIG. 2 is a front elevational view of the lighting fixture of FIG. 1;

FIG. 3 is a perspective view taken from one side of a second embodiment of the lighting fixture of the invention which has a diffuser structure with a pattern of slots formed therein; FIG. 4 is a perspective view taken from one side of a third embodiment of the lighting fixture of the invention which has a diffuser structure with a pattern of circular apertures formed therein;

FIG. 5 is a perspective view taken from one side of the lighting fixture of the invention having a diffuser structure with a pattern of circular apertures formed therein;

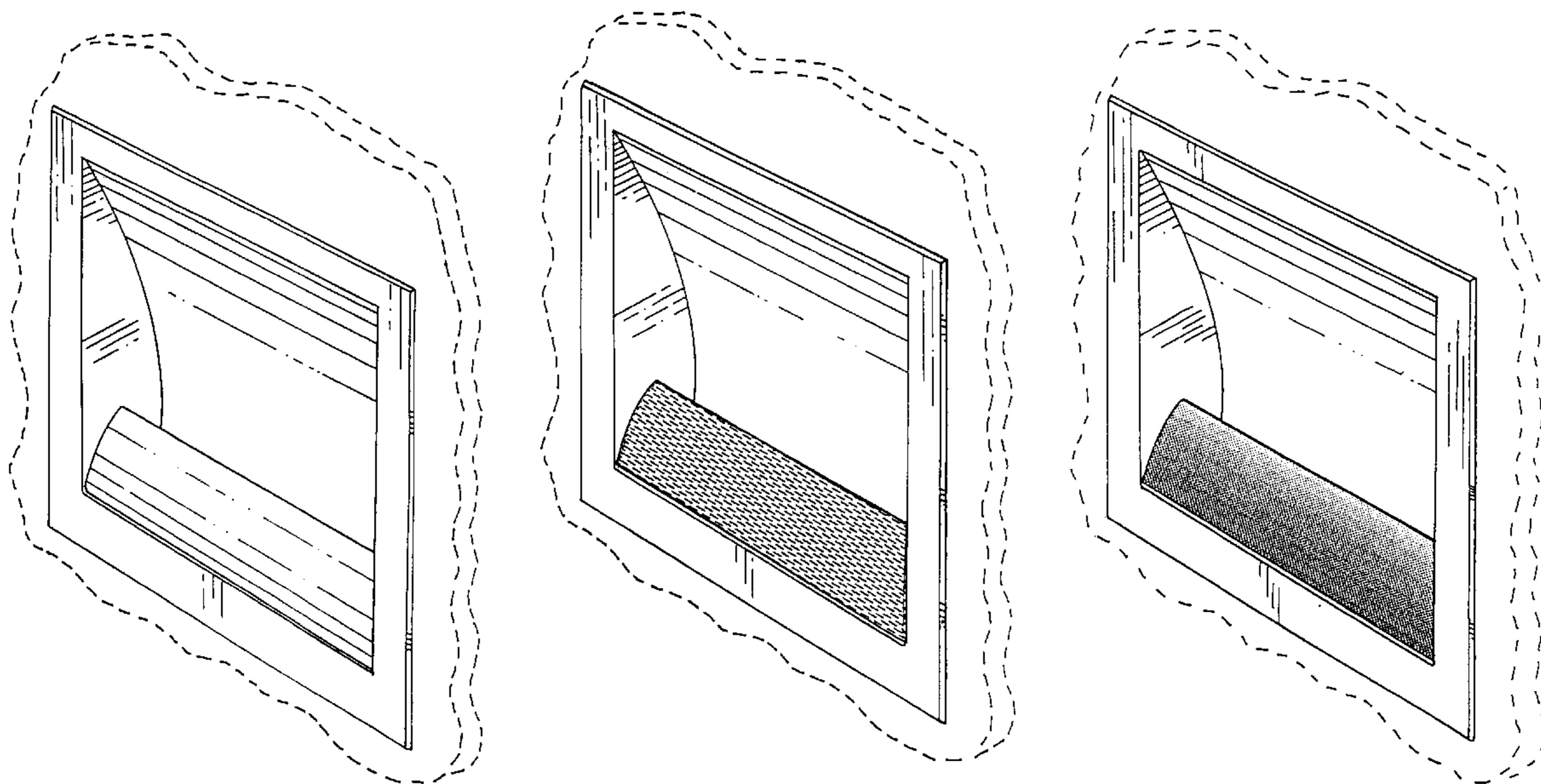
FIG. 6 is a front elevational view of the lighting fixture of FIG. 5.

FIG. 7 is an enlarged fragmentary view of the slot pattern shown on the diffuser in FIGS. 3 and 4, the lighting fixture being fragmentarily shown for convenience of illustration; and

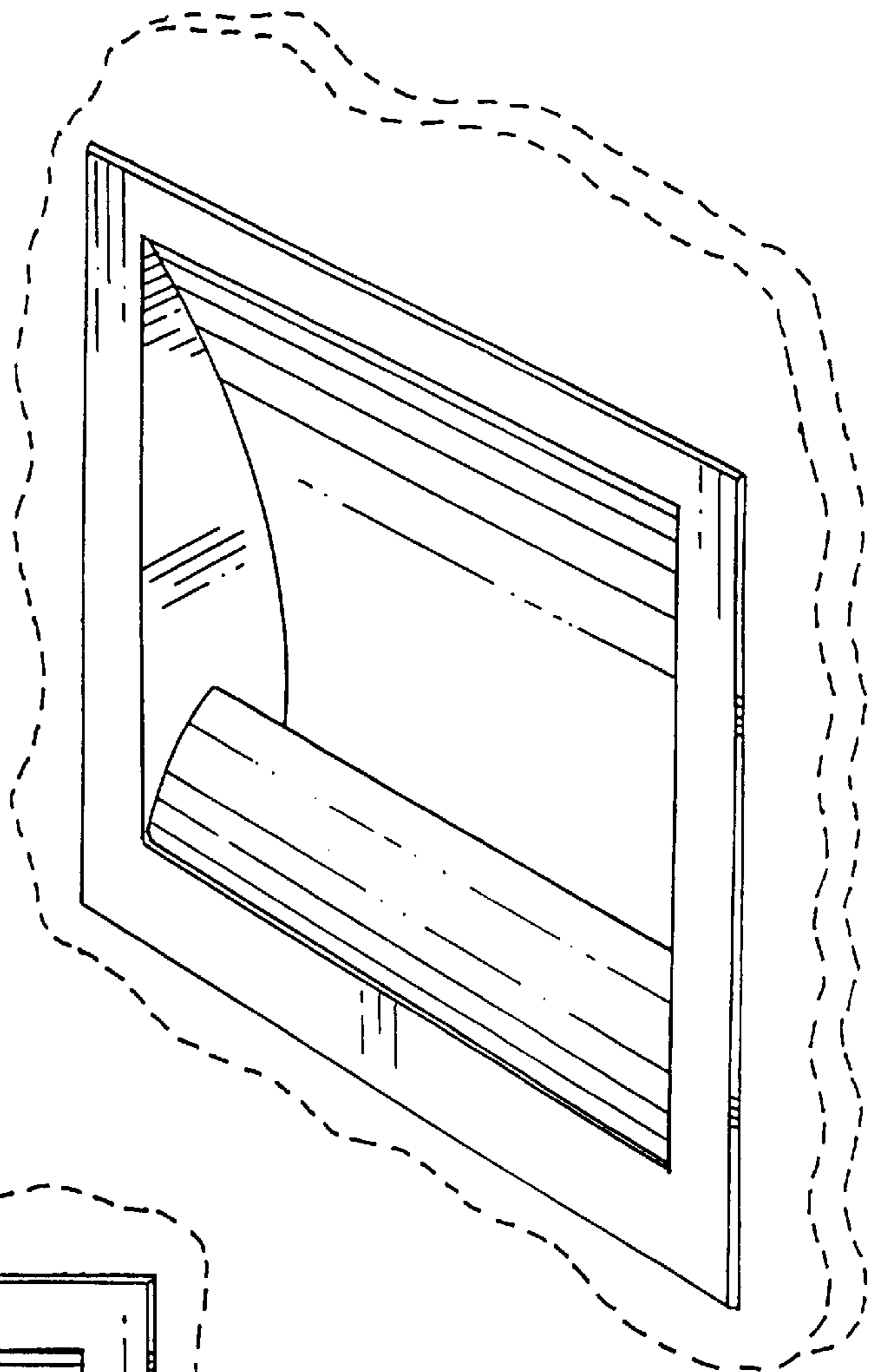
FIG. 8 is an enlarged fragmentary view of the hole pattern shown on the diffuser in FIGS. 6 and 7, the lighting fixture being fragmentarily shown for convenience of illustration.

The broken lines are shown for illustrative purposes only and form no part of the claimed design.

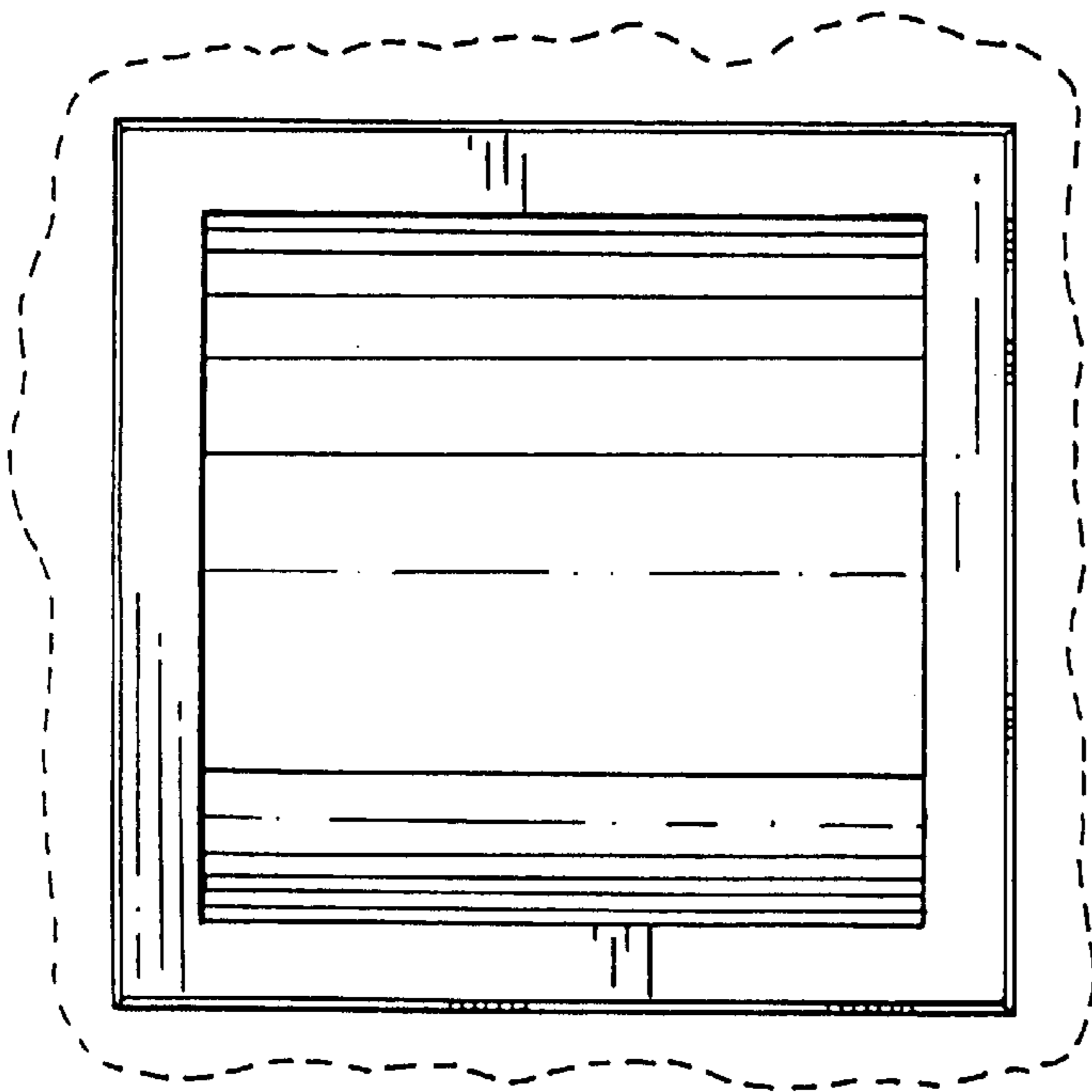
1 Claim, 4 Drawing Sheets



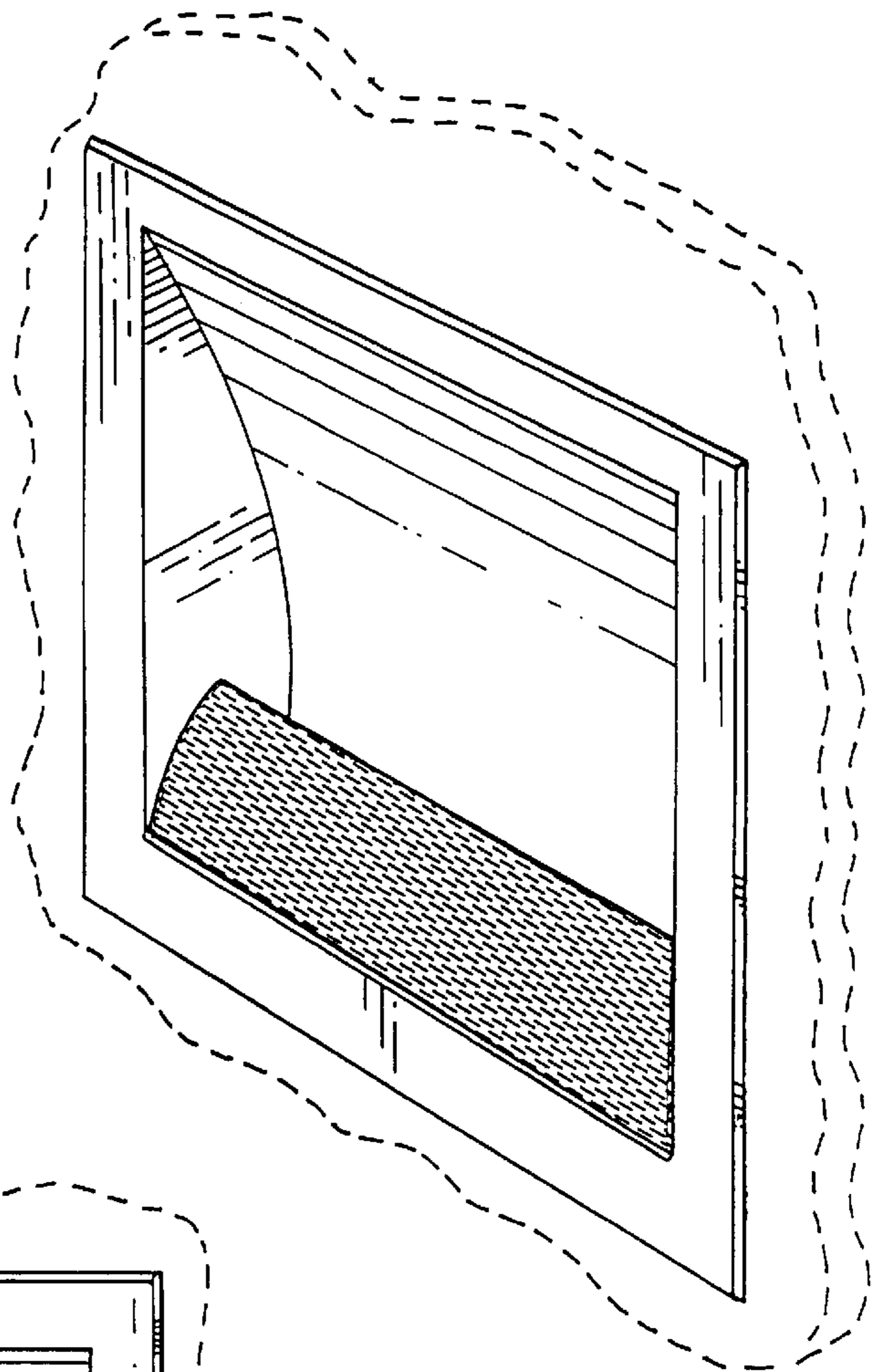
**Fig. 1.**



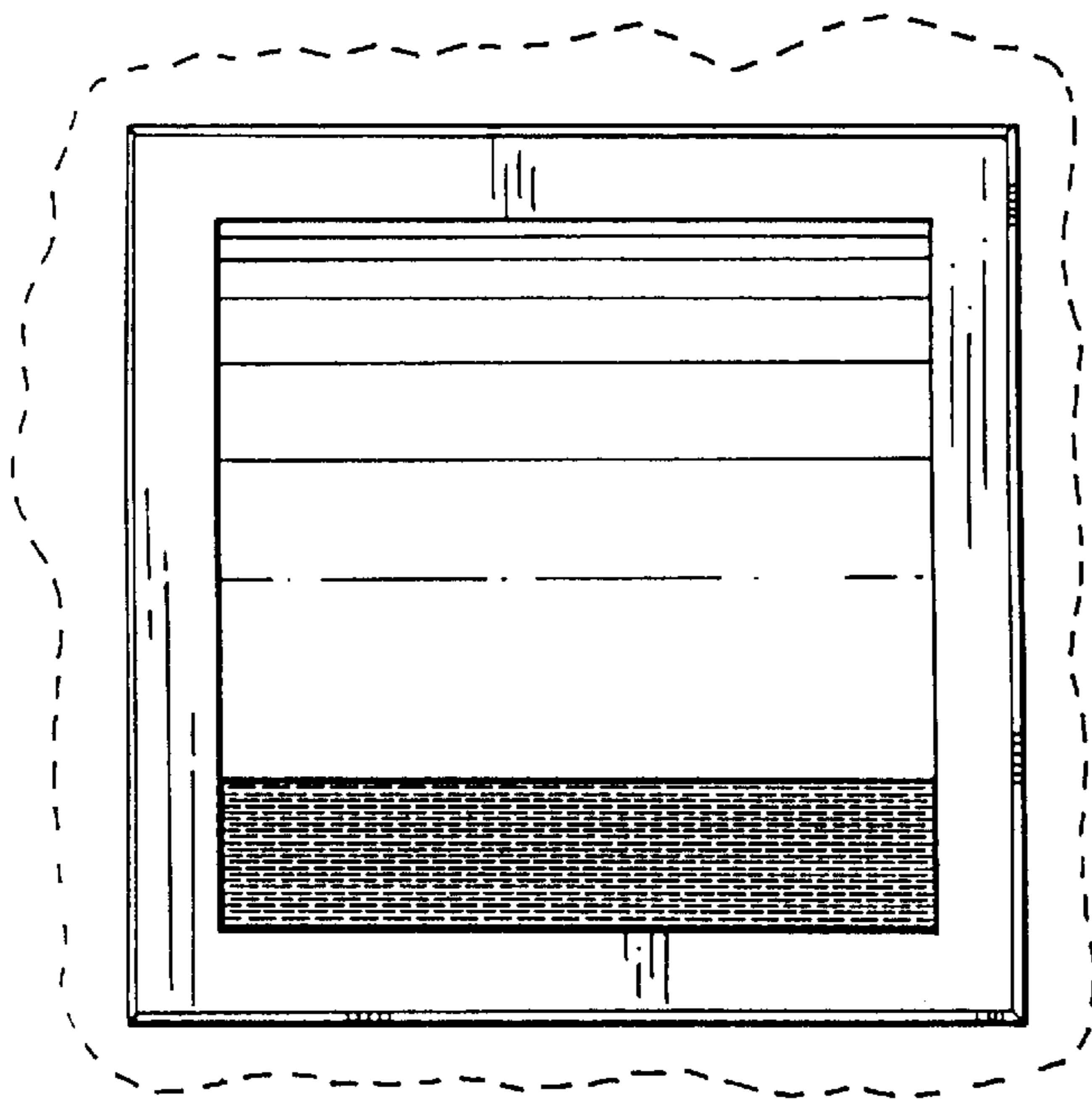
**Fig. 2.**



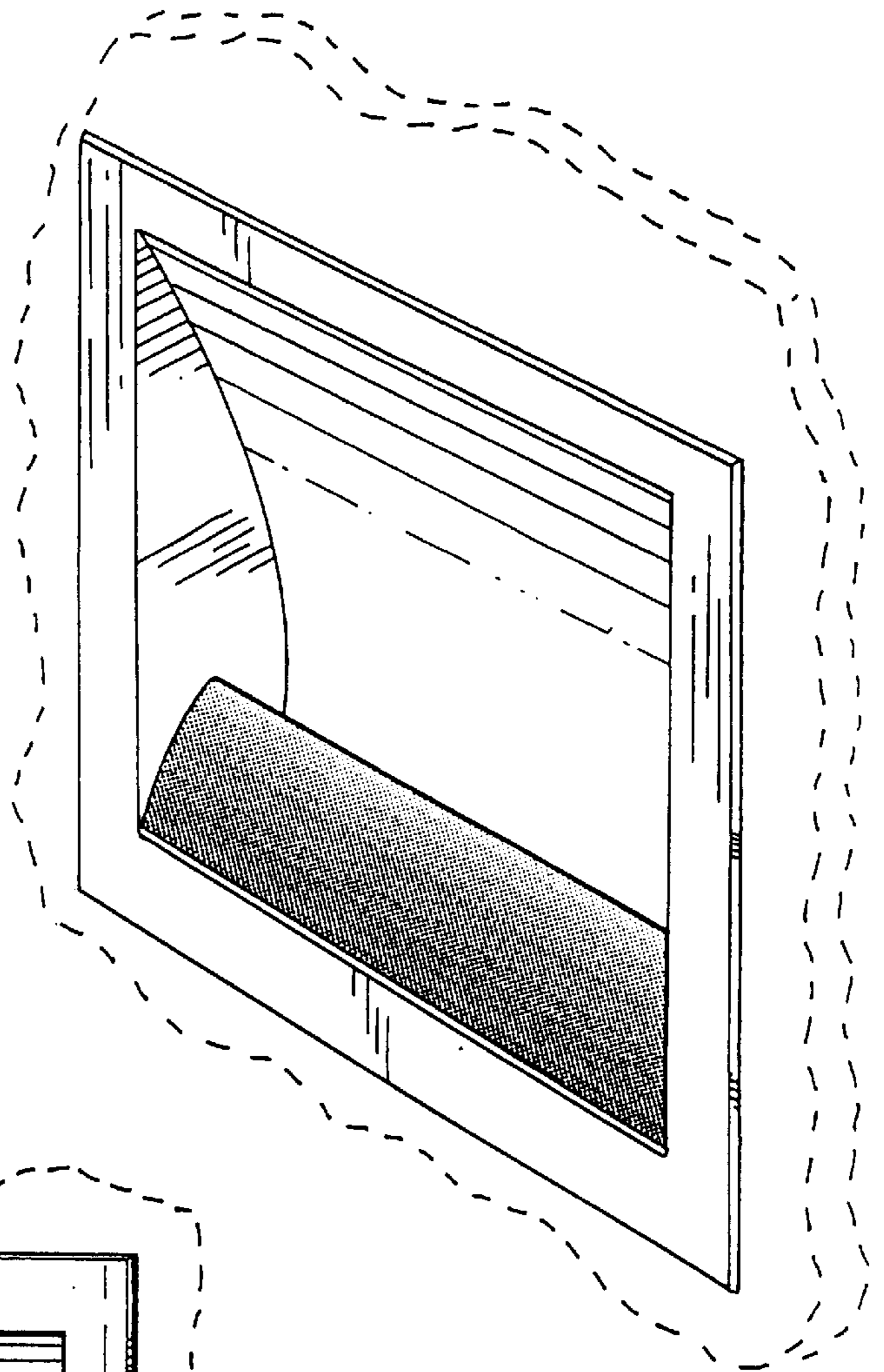
*Fig. 3.*



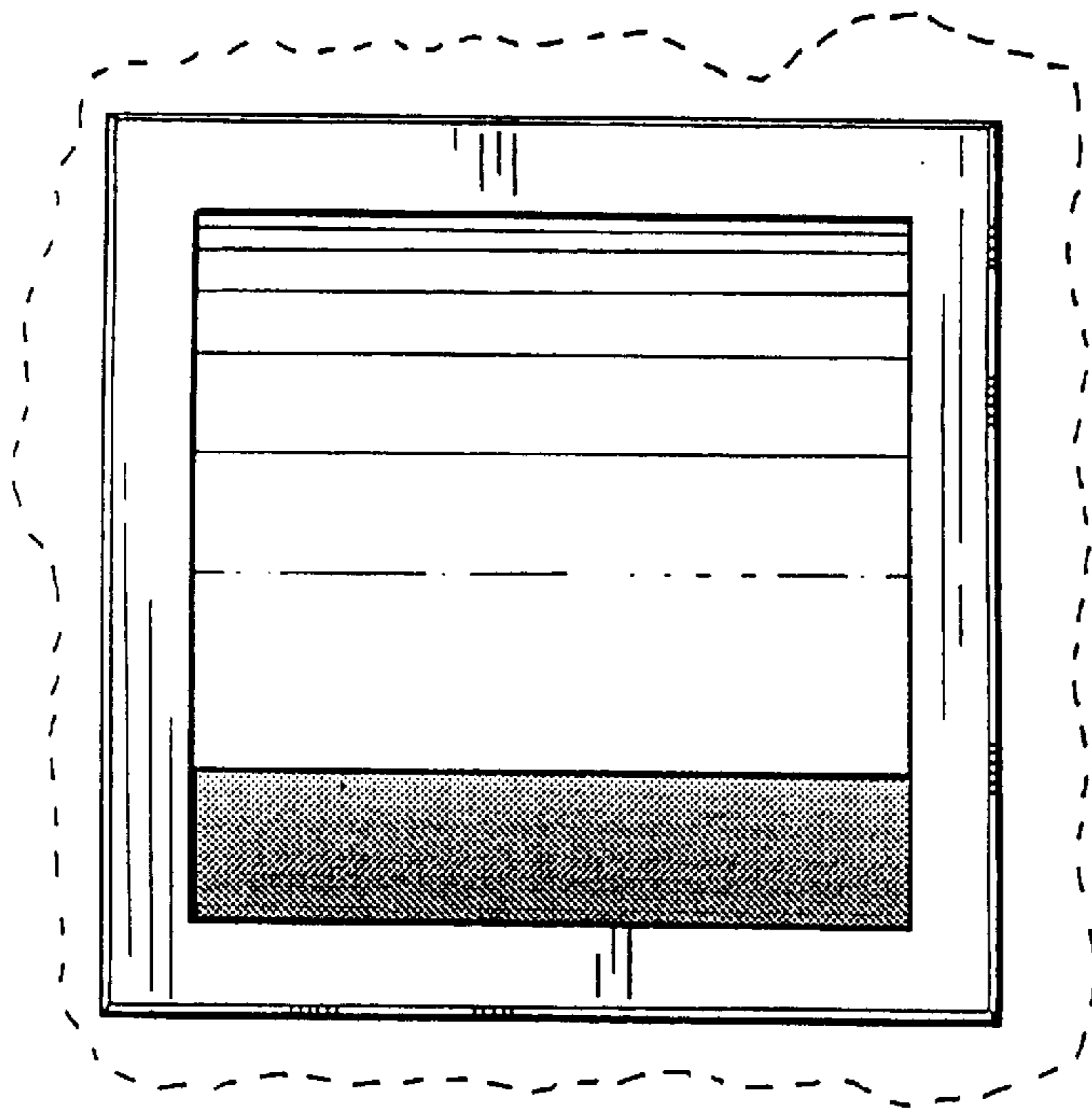
*Fig. 4.*

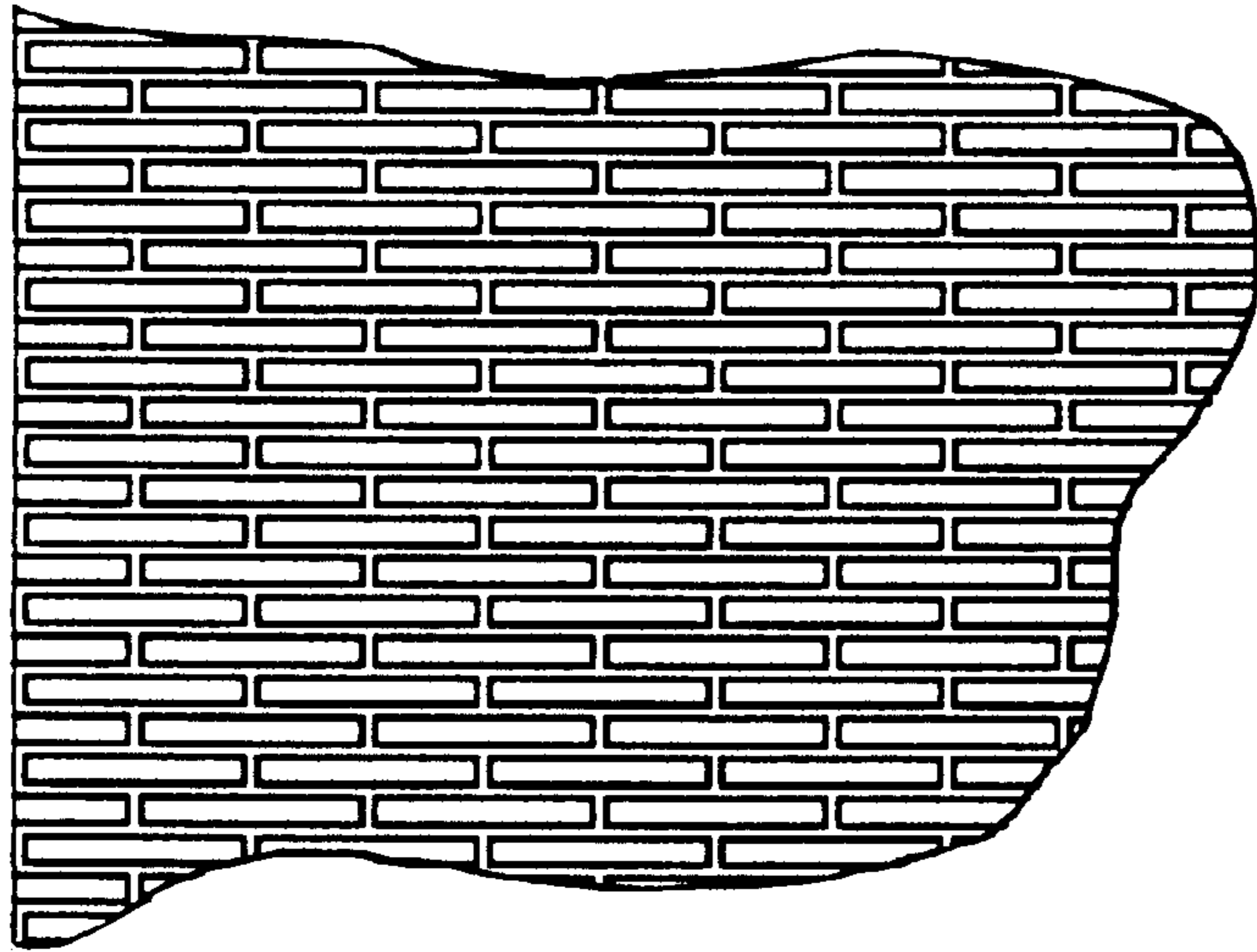


*Fig. 5.*

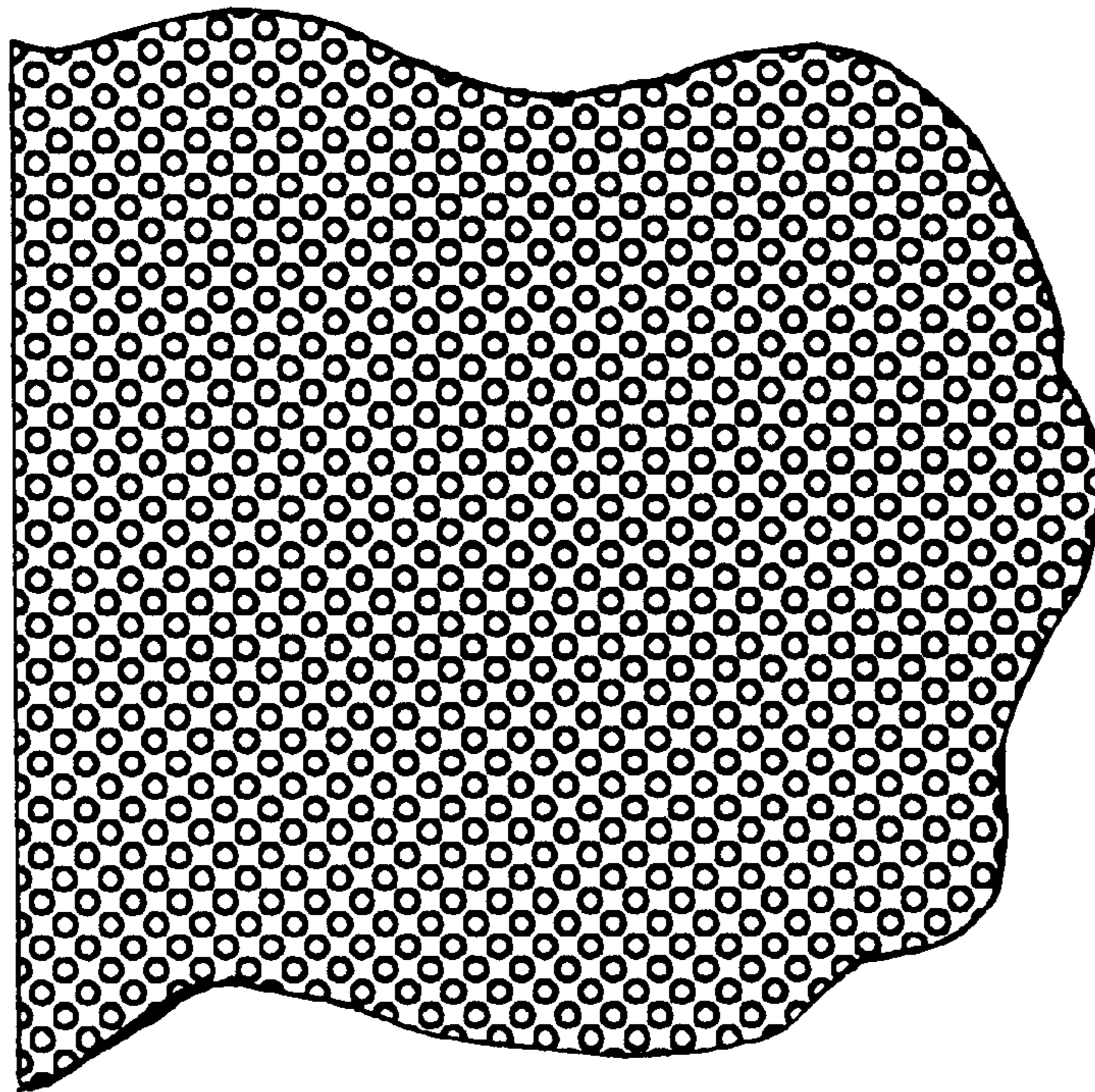


*Fig. 6.*





*Fig. 7.*



*Fig. 8.*