



US00D409323S

# United States Patent [19] Huang

[11] Patent Number: Des. 409,323

[45] Date of Patent: \*\* May 4, 1999

[54] TORCHIERE LAMP

[76] Inventor: Thomas M. Huang, 5649 N. Peck Rd., Arcadia, Calif. 91006

[\*\*] Term: 14 Years

[21] Appl. No.: 29/055,410

[22] Filed: Jun. 4, 1996

[51] LOC (6) Cl. .... 26-05

[52] U.S. Cl. .... D26/65

[58] Field of Search ..... D26/60-66; 362/269, 362/275, 287, 410, 411, 413, 414, 418, 419, 428, 402

[56] References Cited

U.S. PATENT DOCUMENTS

D. 296,480	6/1988	Engel	.....	D26/62
D. 369,425	4/1996	Swanson	.....	D26/63
D. 371,449	7/1996	Huang	.....	D26/65
2,732,487	1/1956	Crider	.....	362/410
4,974,135	11/1990	Wen-tsung	.....	362/287

OTHER PUBLICATIONS

- Abitare, p. 214, adjustable table lamp, Dec. 1988.
- Estiluz lighting catalog, p. 5, adjustable floor lamp, 1986.
- Interiors magazine, p. 28, adjustable desk lamp, bottom Feb. 1981.
- Koch + Lowy Inc.ad page, top shade, May 1984.

Primary Examiner—Susan J. Lucas  
Attorney, Agent, or Firm—Sheldon & Mak

[57] CLAIM

The ornamental design for a torchiere lamp, as shown and described.

DESCRIPTION

FIG. 1 is a perspective view of the lamp of my invention;

FIG. 2 is a right side view of the lamp of FIG. 1 with the side arm stretching out, with the side arm lamp head swivelled to an approximately horizontal position, and with the dish-shaped torchiere lamp head also swivelled to a horizontal position, and adjusted to a position furthest away from the side arm lamp head;

FIG. 3 is a rear view of the lamp in FIG. 2;

FIG. 4 is a left side view of the lamp in FIG. 2 with the side arm stretching out;

FIG. 5 is a front view of the lamp in FIG. 2;

FIG. 6 is a top view of the lamp in FIG. 2;

FIG. 7 is a bottom view of the lamp in FIG. 2;

FIG. 8 is a enlarged view of the joint linking the side arm to the body of the lamp;

FIG. 9 is a perspective view of an alternative embodiment of the lamp of my invention;

FIG. 10 is a right side view of the lamp of FIG. 9, with the side arm stretching out, with the side arm lamp head swivelled to an approximately horizontal position, with the dish-shaped torchiere lamp head also swivelled to a horizontal position, and adjusted to a position furthest away from the side arm lamp head;

FIG. 11 is a rear view of the lamp in FIG. 10;

FIG. 12 is a left side view of the lamp in FIG. 10 with the side arm stretching out;

FIG. 13 is a front view of the lamp in FIG. 10;

FIG. 14 is a top view of the lamp in FIG. 10;

FIG. 15 is a bottom view of the lamp in FIG. 10;

FIG. 16 is a perspective view of a second alternative embodiment of the lamp of my invention;

FIG. 17 is a right side view of the lamp of FIG. 16, with the side arm stretching out, with the side arm lamp head swivelled to an approximately horizontal position, with the dish-shaped torchiere lamp head also swivelled to a horizontal position, and adjusted to a position furthest away from the side arm lamp head;

FIG. 18 is a rear view of the lamp in FIG. 17;

FIG. 19 is a left side view of the lamp in FIG. 17 with the side arm stretching out;

FIG. 20 is a front view of the lamp in FIG. 17;

FIG. 21 is a top view of the lamp in FIG. 17;

FIG. 22 is a bottom view of the lamp in FIG. 17;

FIG. 23 is a perspective view of a third alternative embodiment of the lamp of my invention;

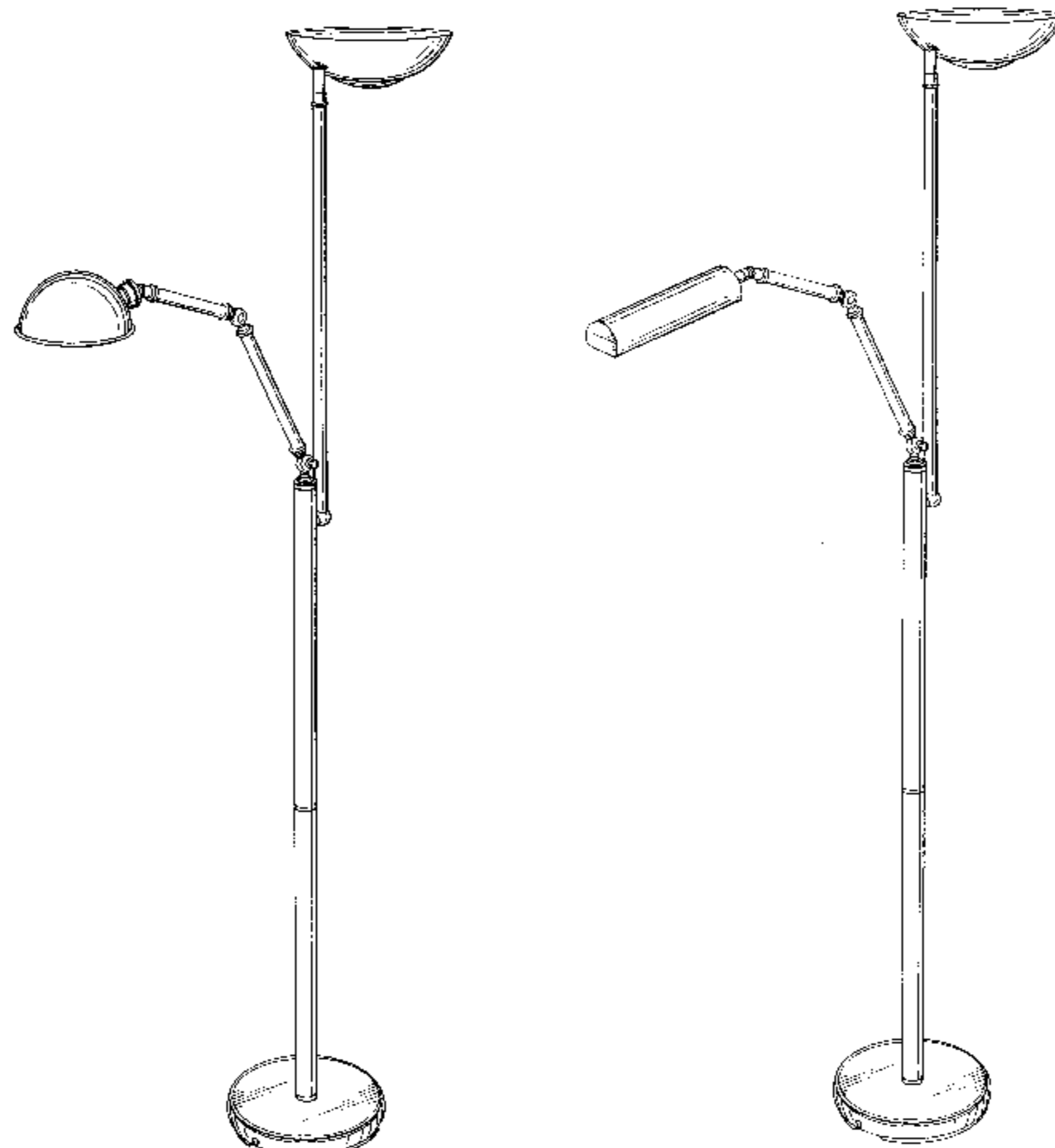


FIG. 24 is a right side view of the lamp of FIG. 23, with the side arm stretching out, with the side arm lamp head swivelled to an approximately horizontal position, with the dish-shaped torchiere lamp head also swivelled to a horizontal position, and adjusted to a position furthest away from the side arm lamp head;

FIG. 25 is a rear view of the lamp in FIG. 24;

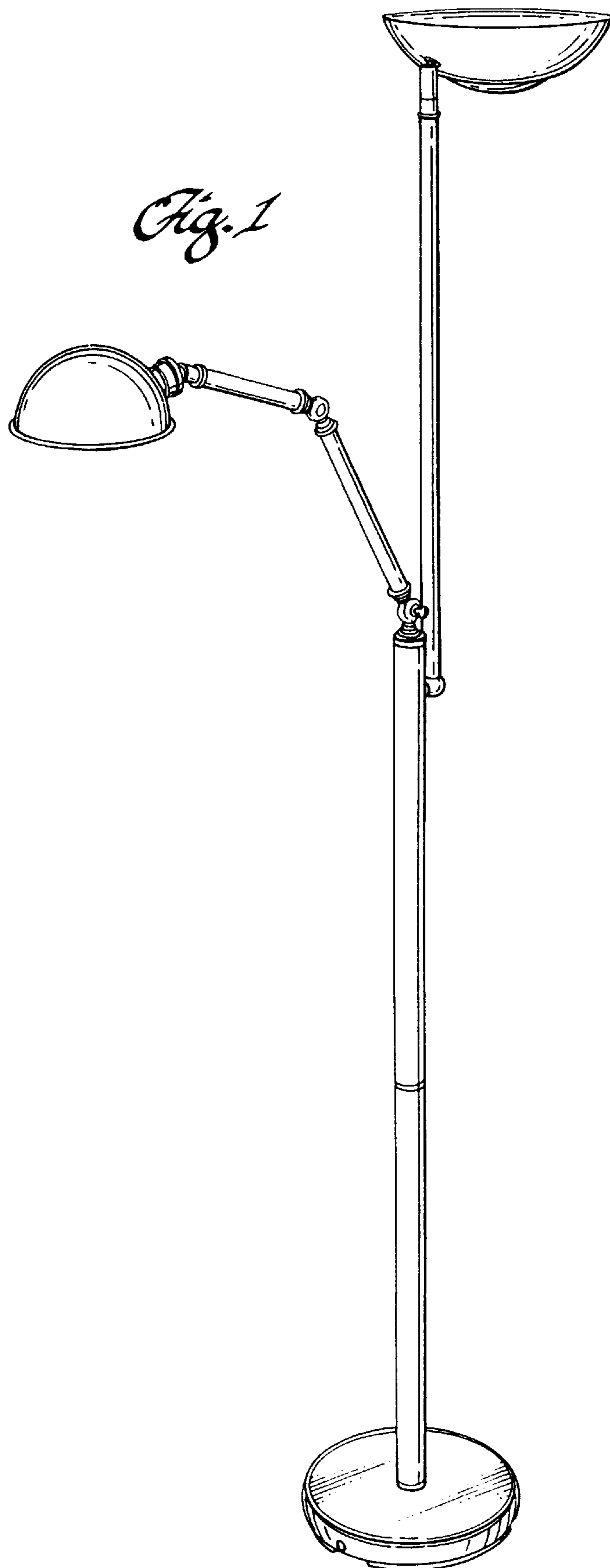
FIG. 26 is a left side view of the lamp in FIG. 24 with the side arm stretching out;

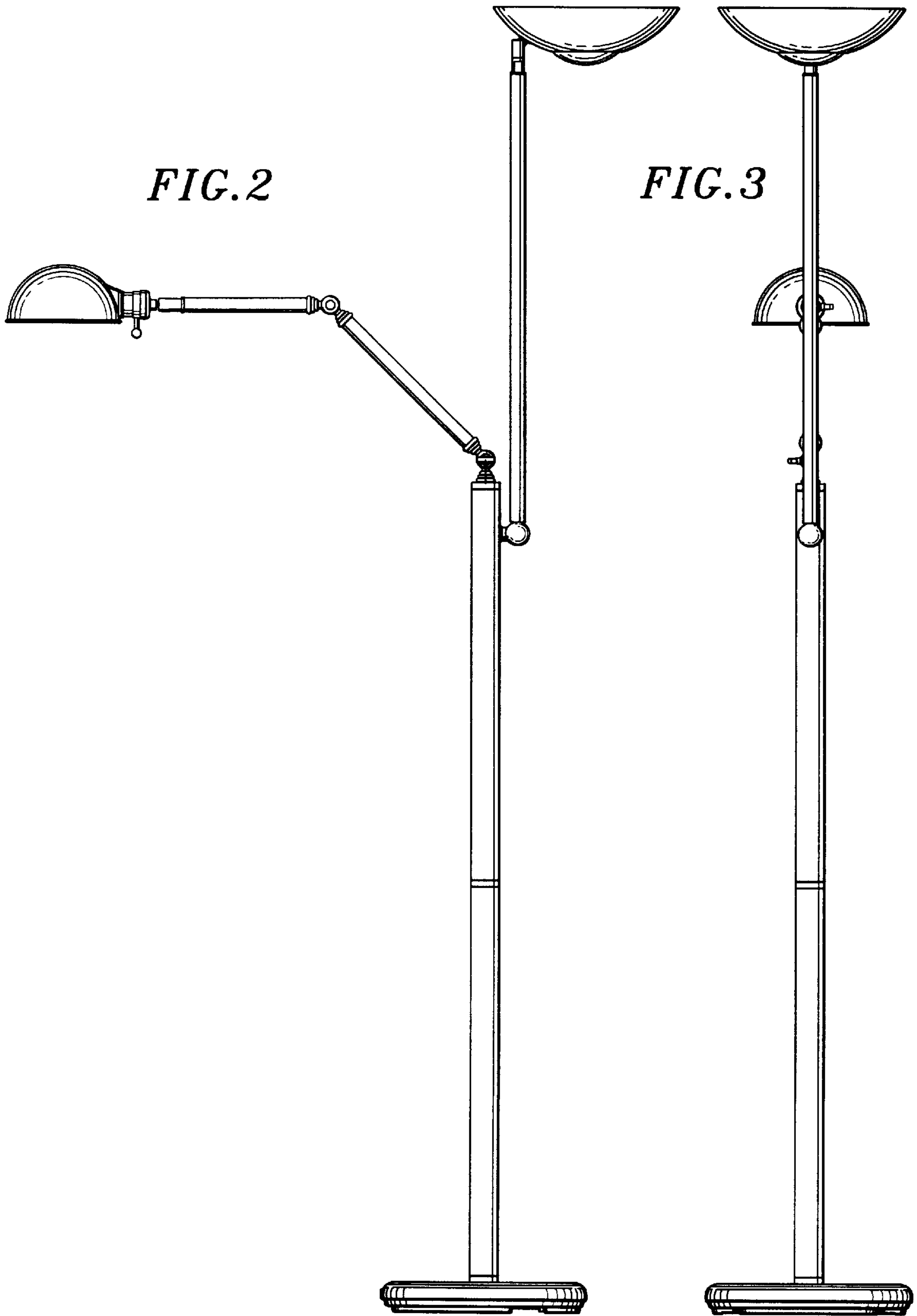
FIG. 27 is a front view of the lamp in FIG. 24;

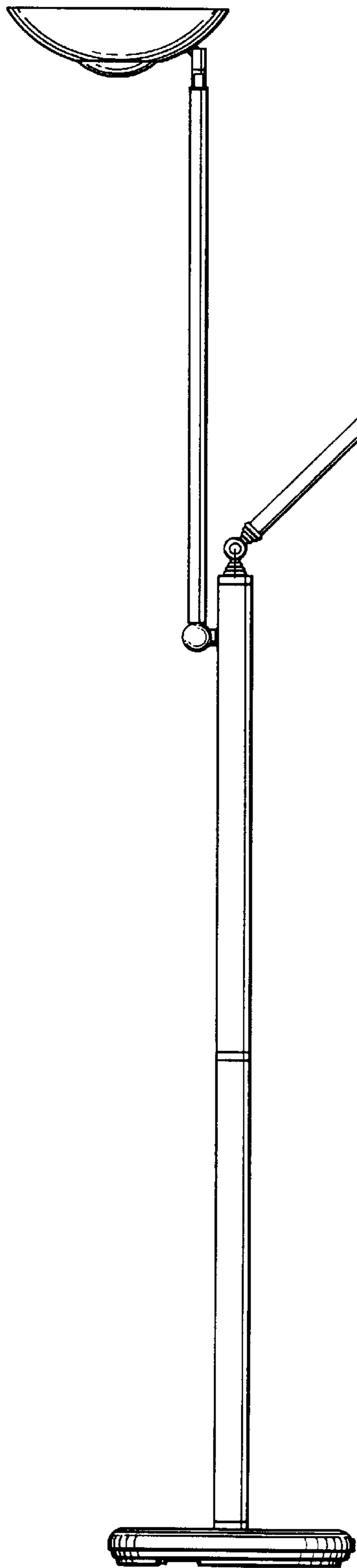
FIG. 28 is a top view of the lamp in FIG. 24; and,

FIG. 29 is a bottom view of the lamp in FIG. 24.

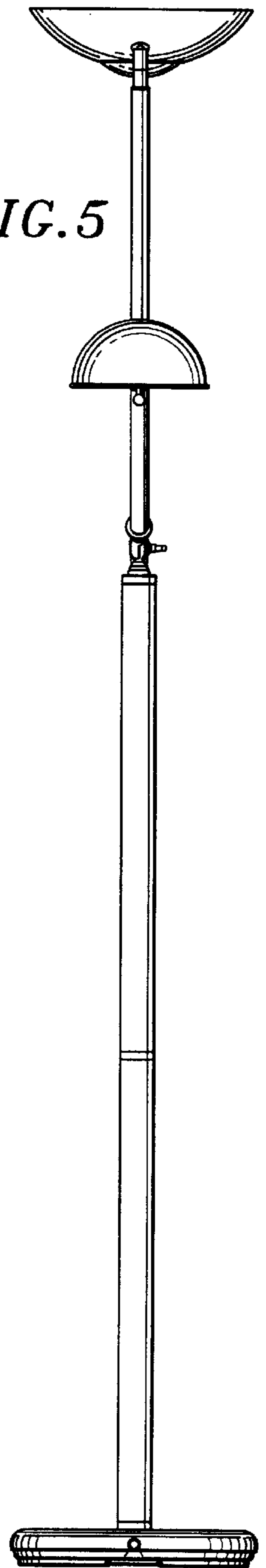
**1 Claim, 17 Drawing Sheets**







*FIG. 4*



*FIG. 5*

FIG. 6

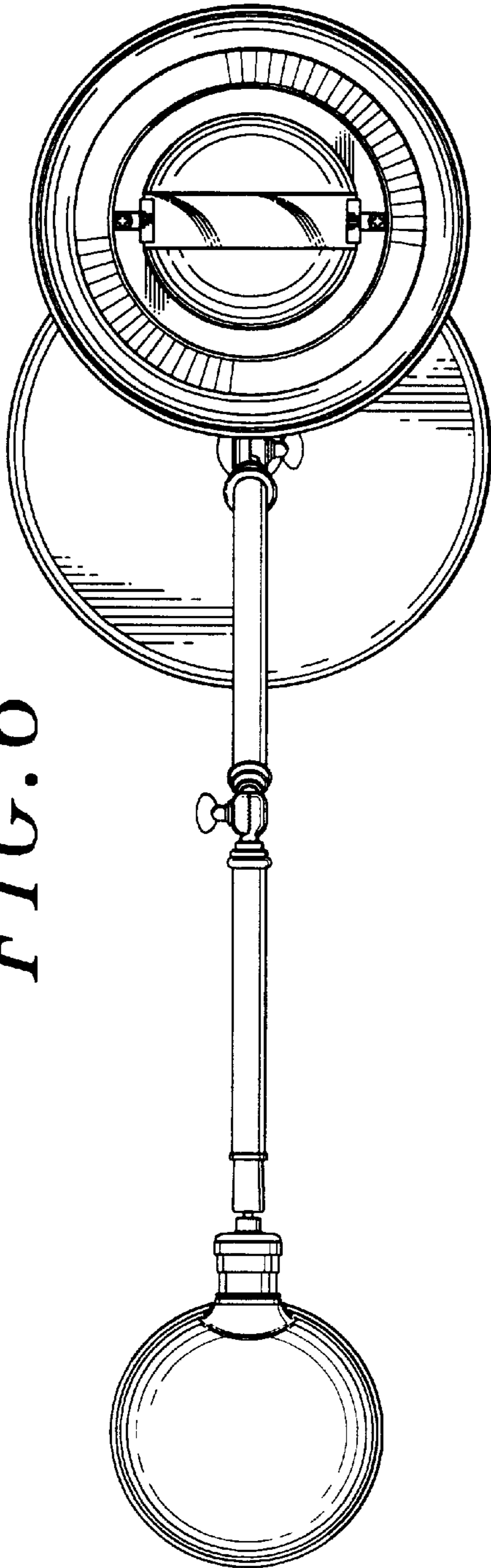
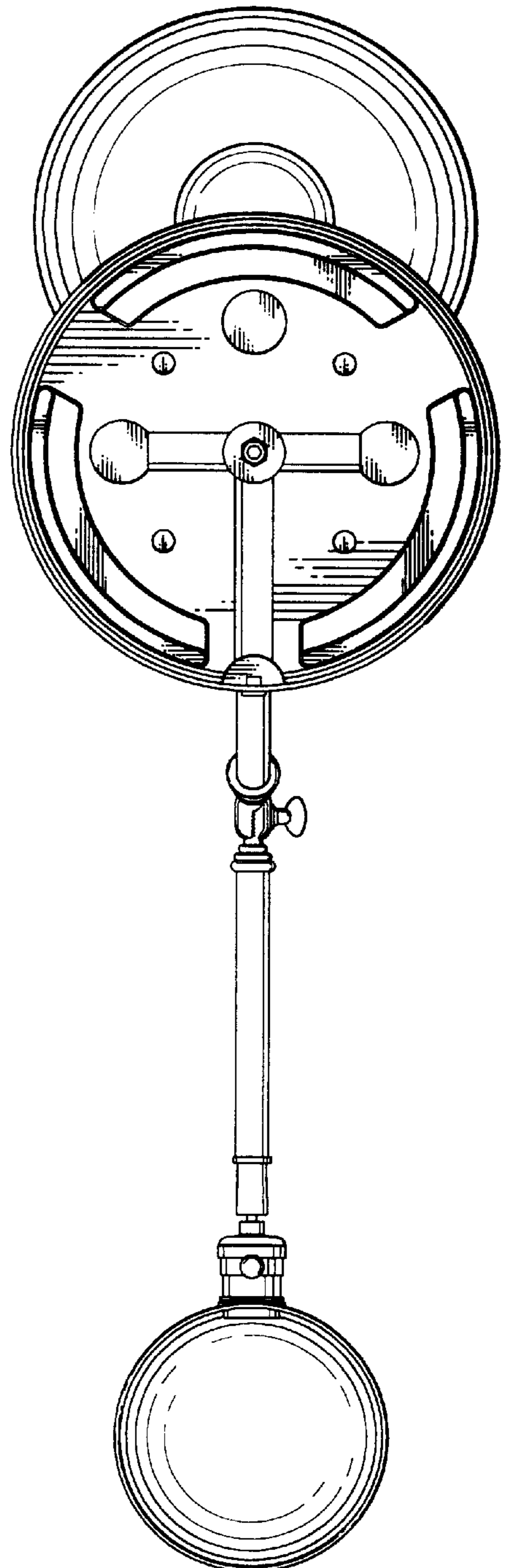
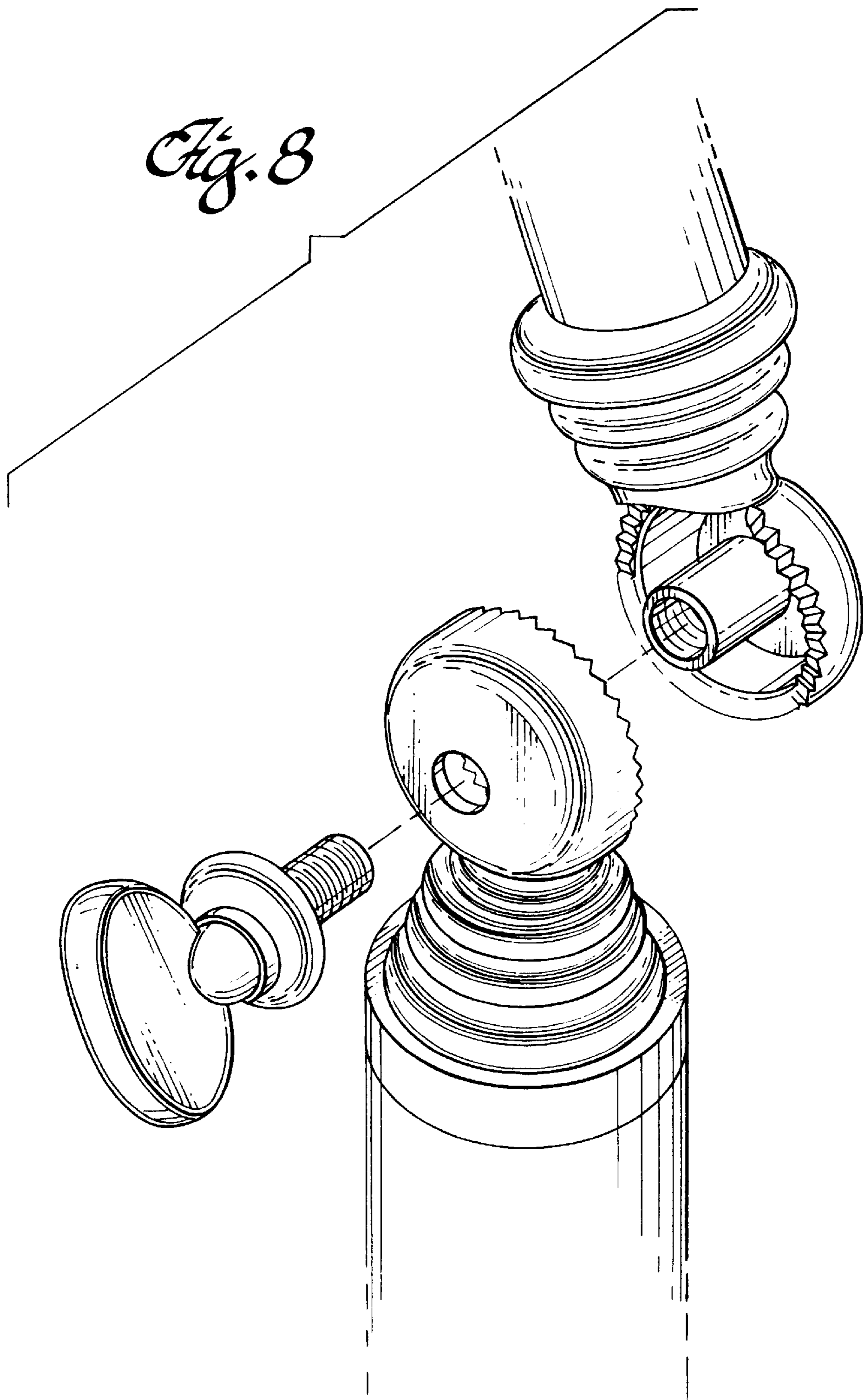
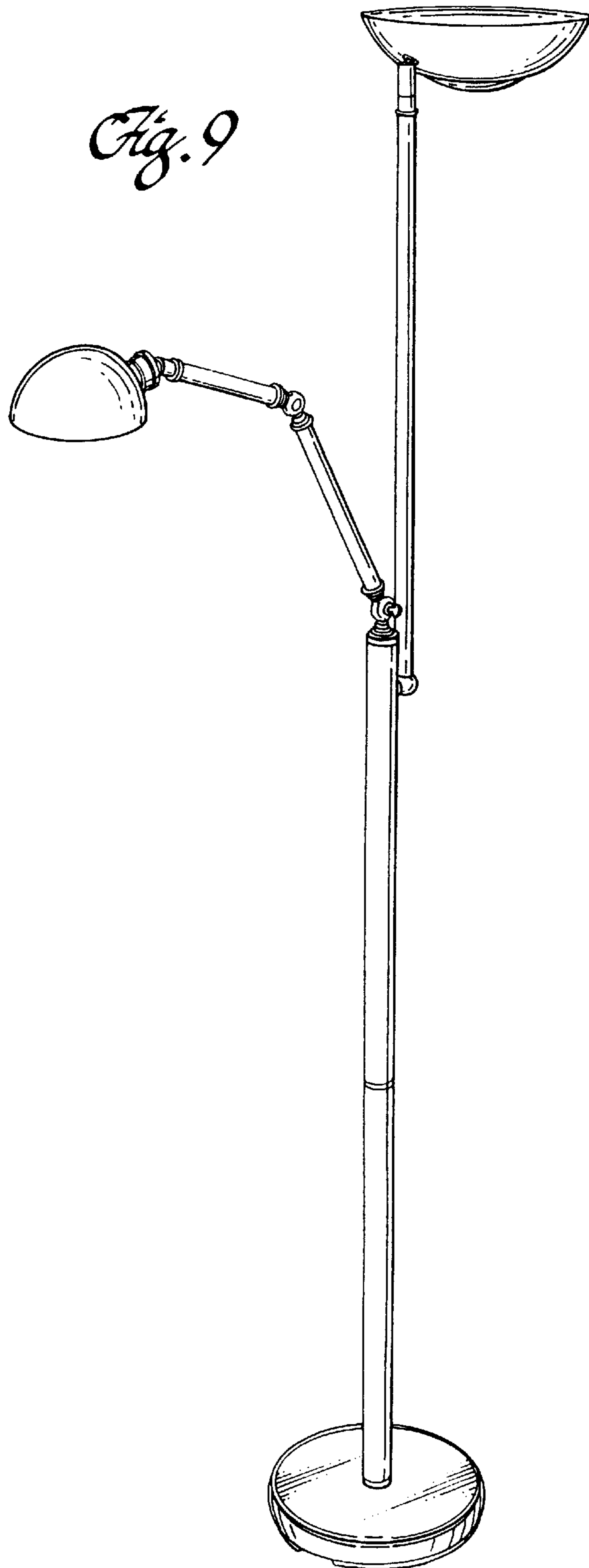


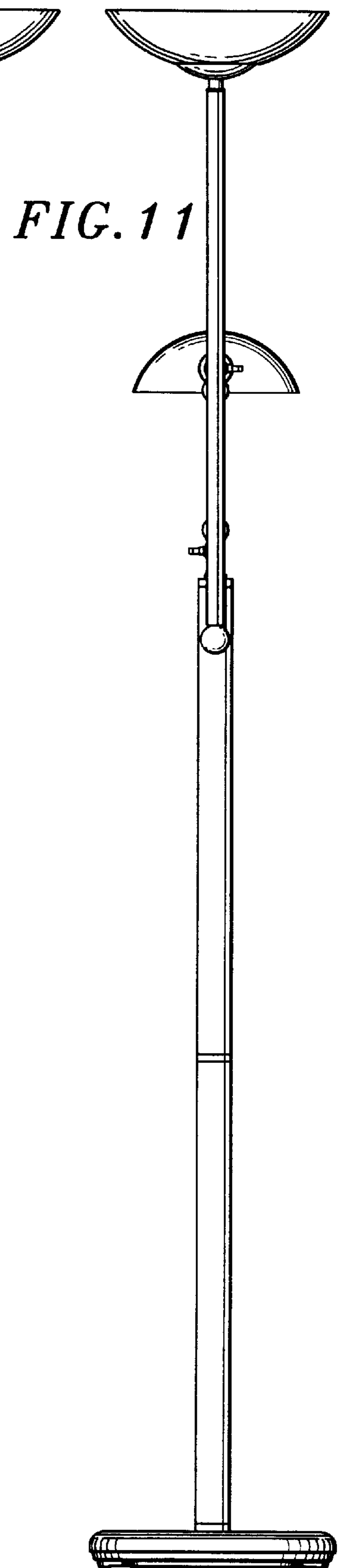
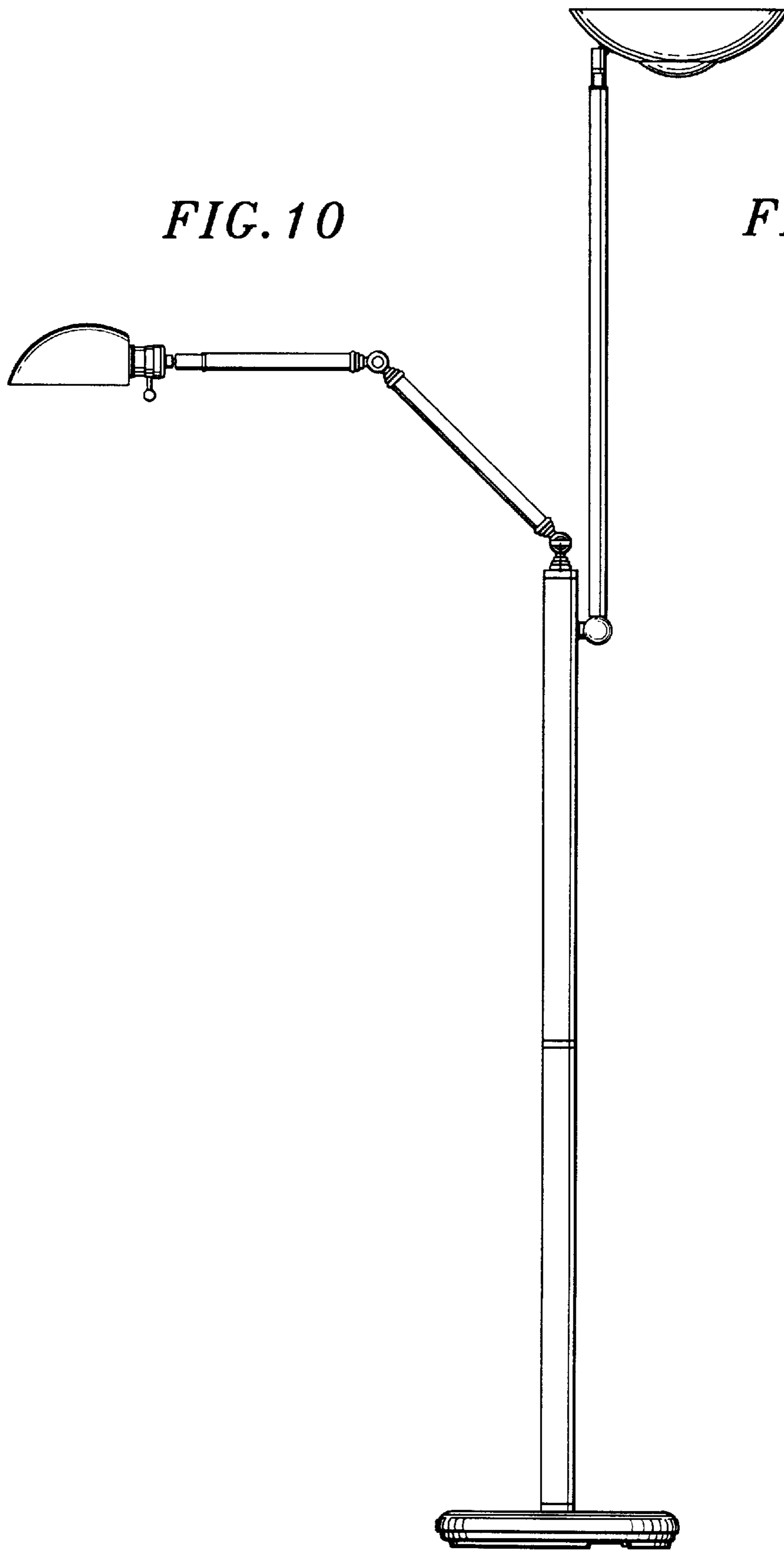
FIG. 7

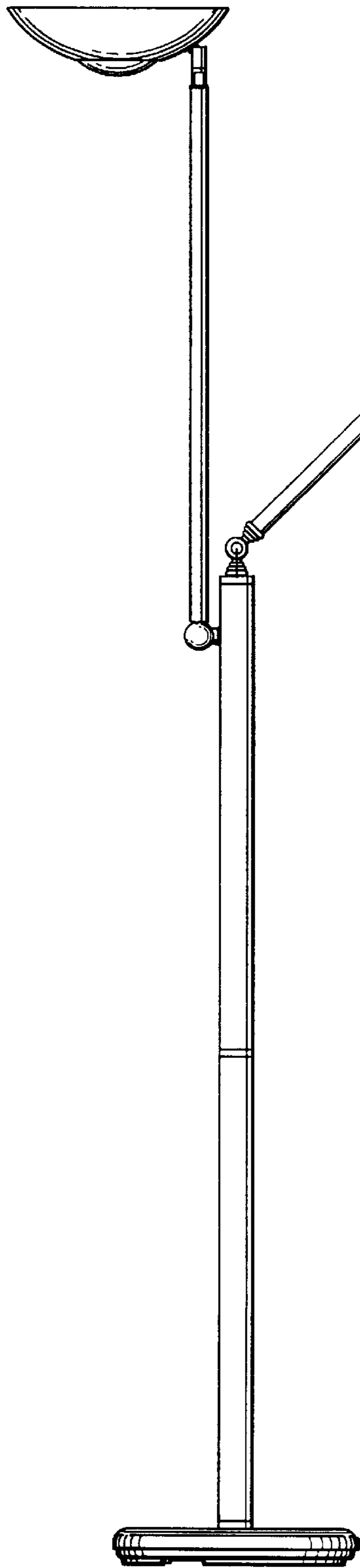




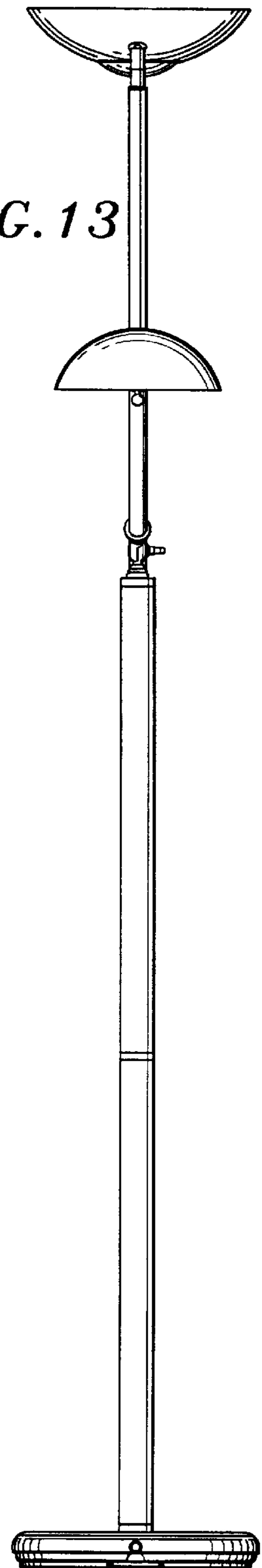




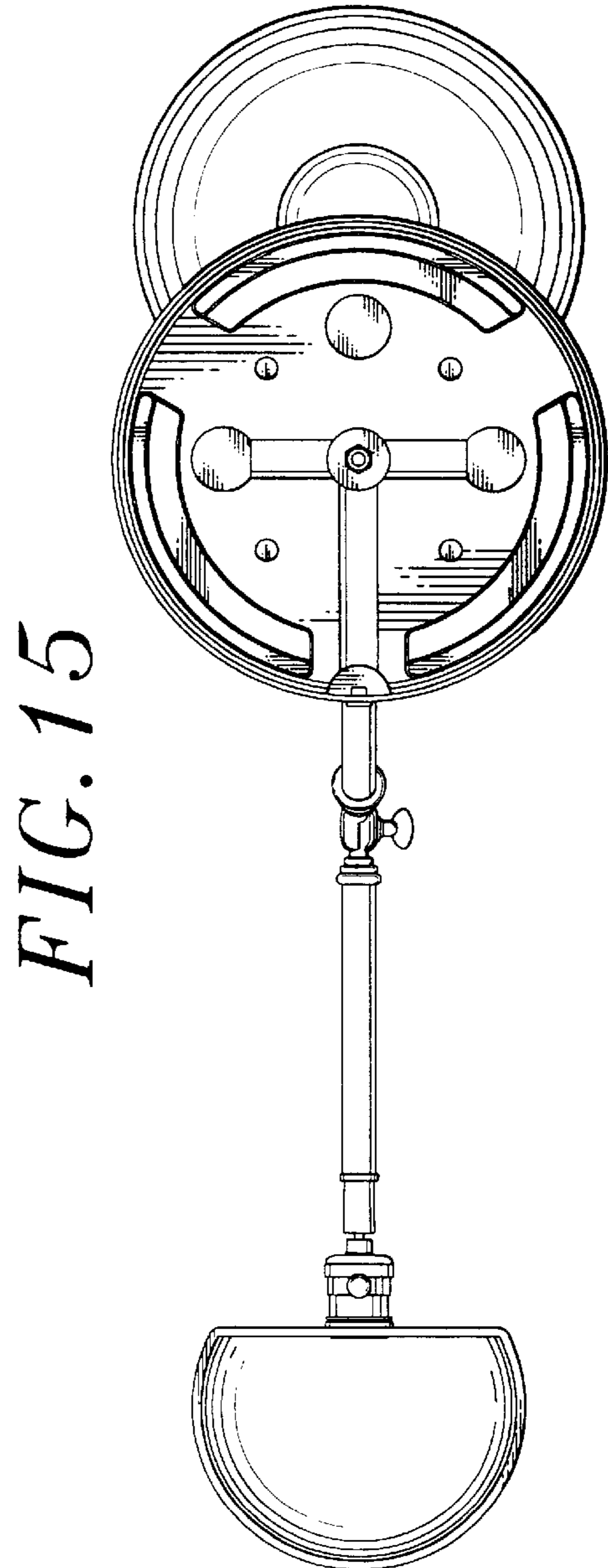
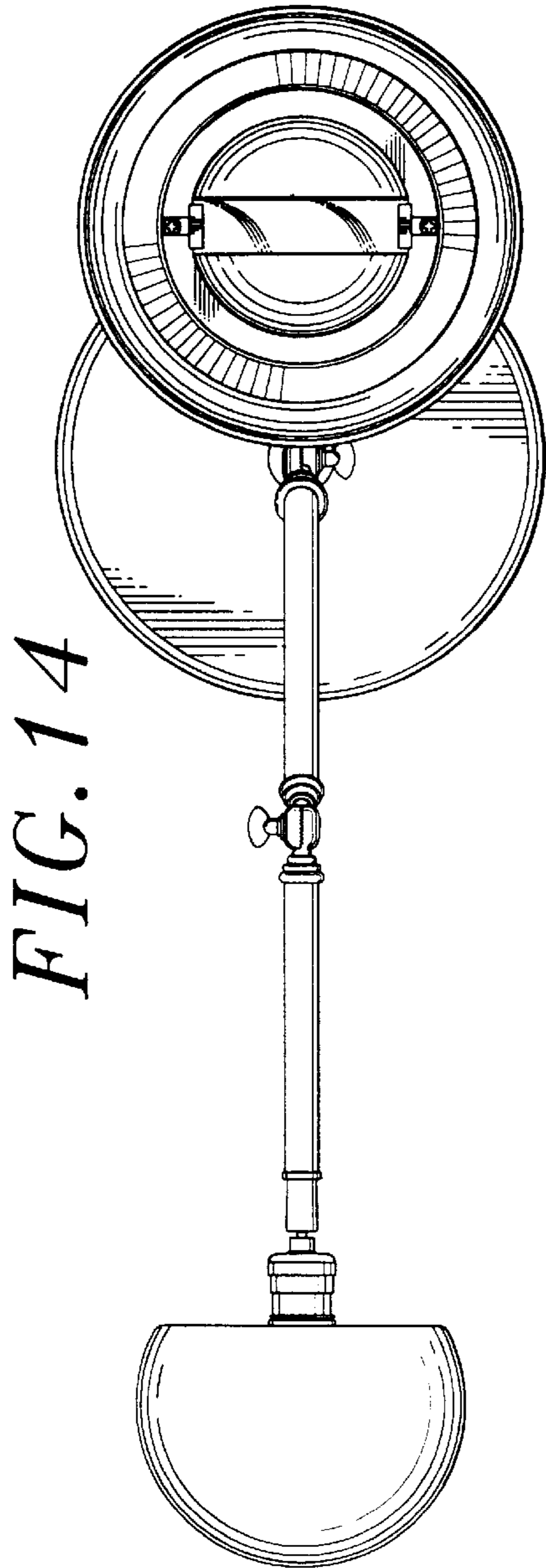




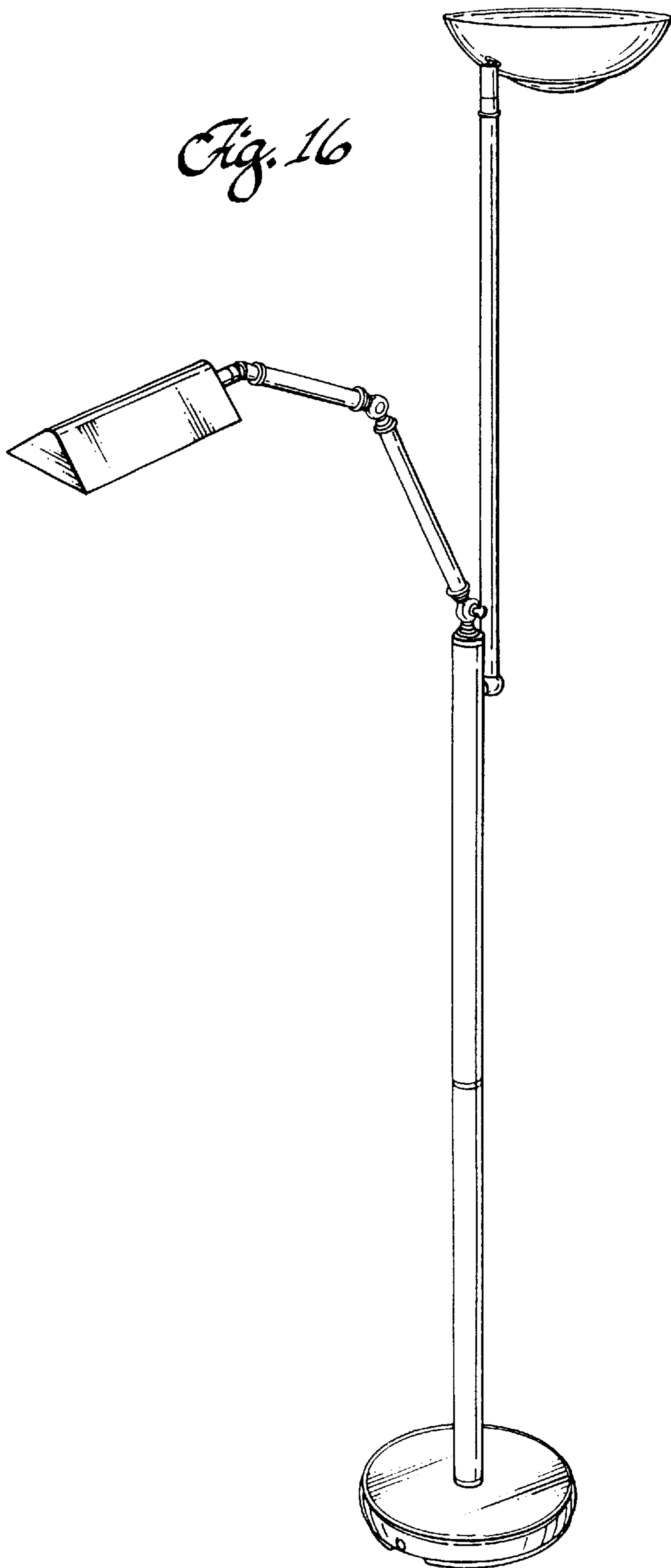
*FIG. 12*

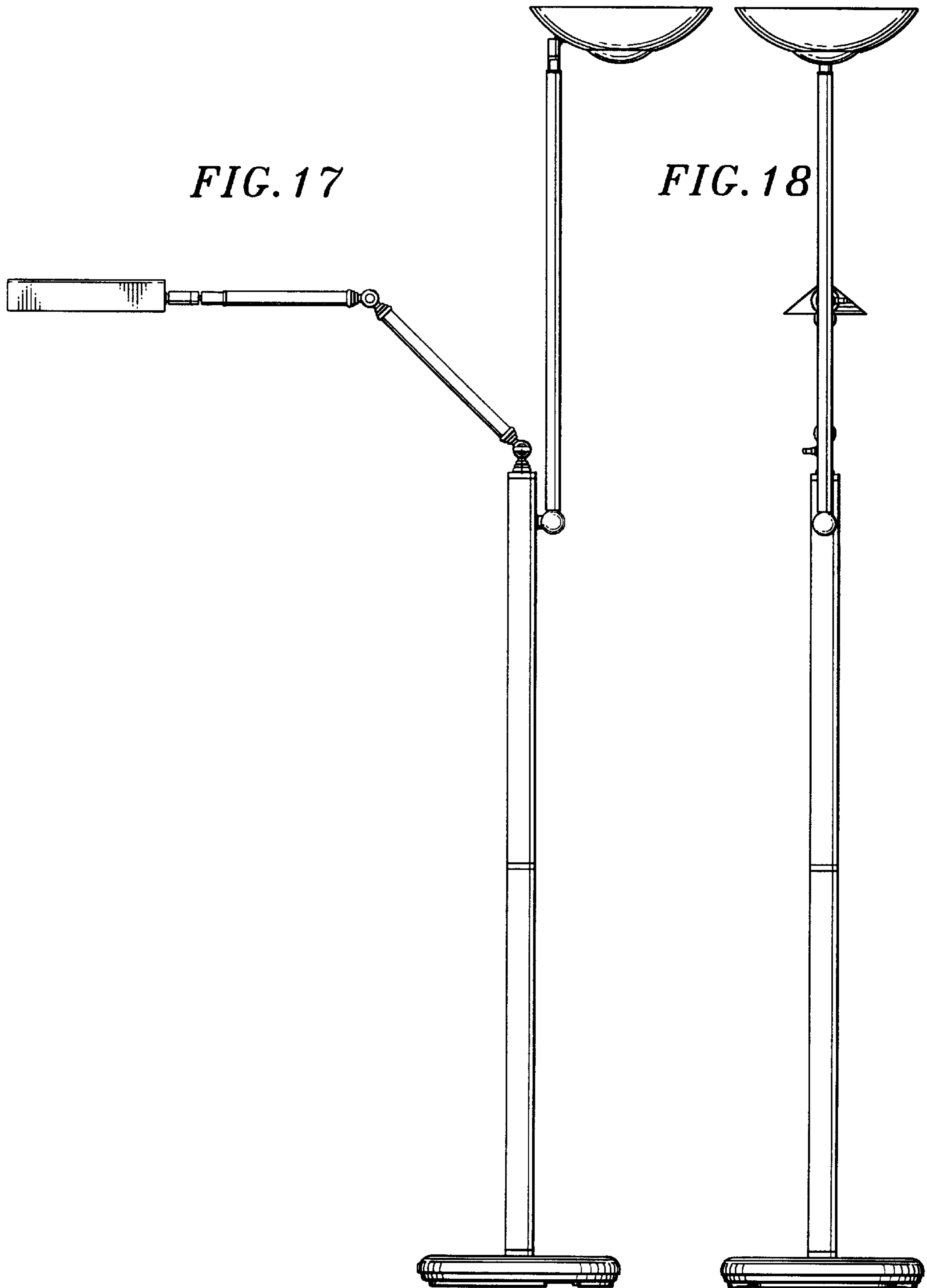


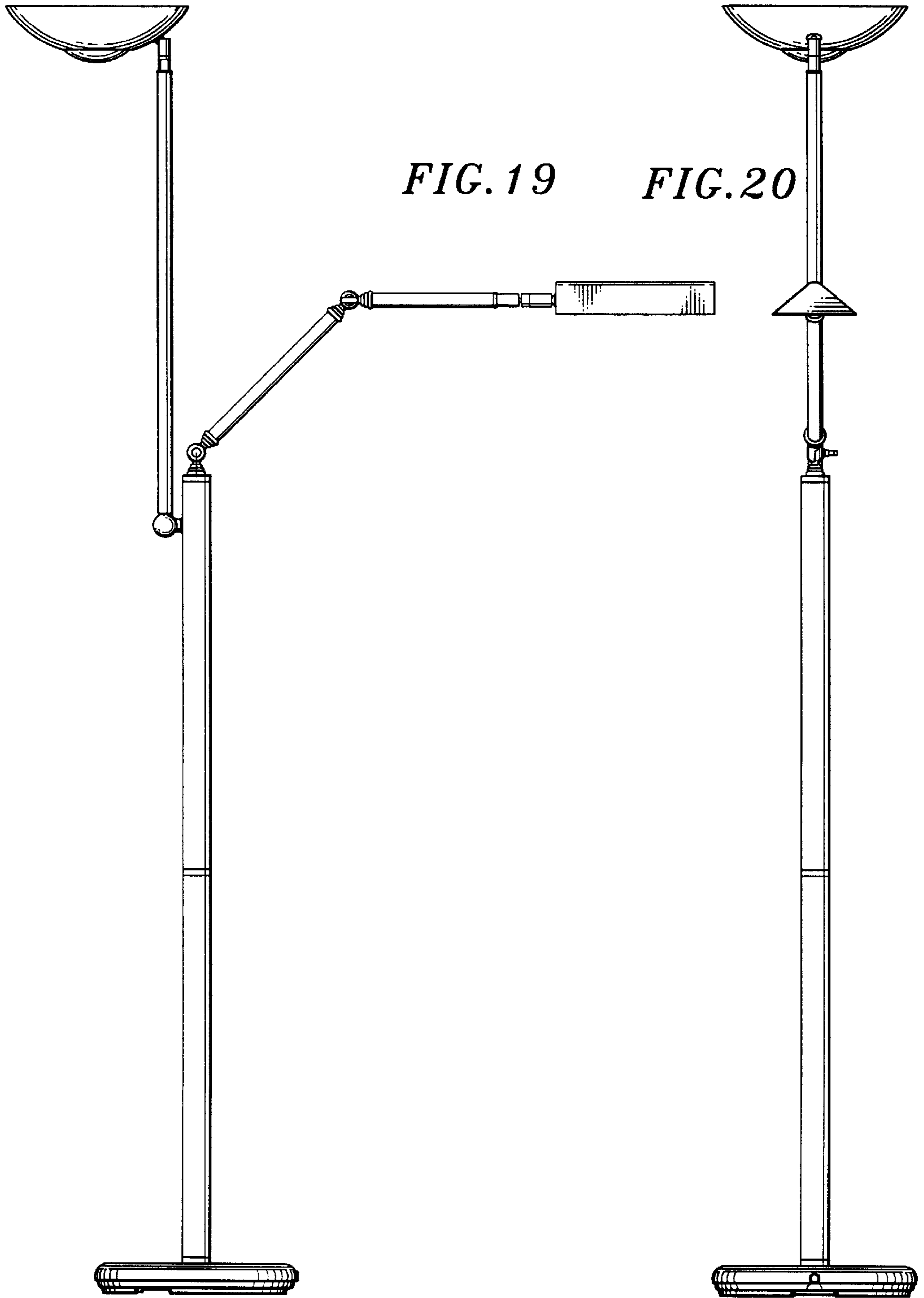
*FIG. 13*

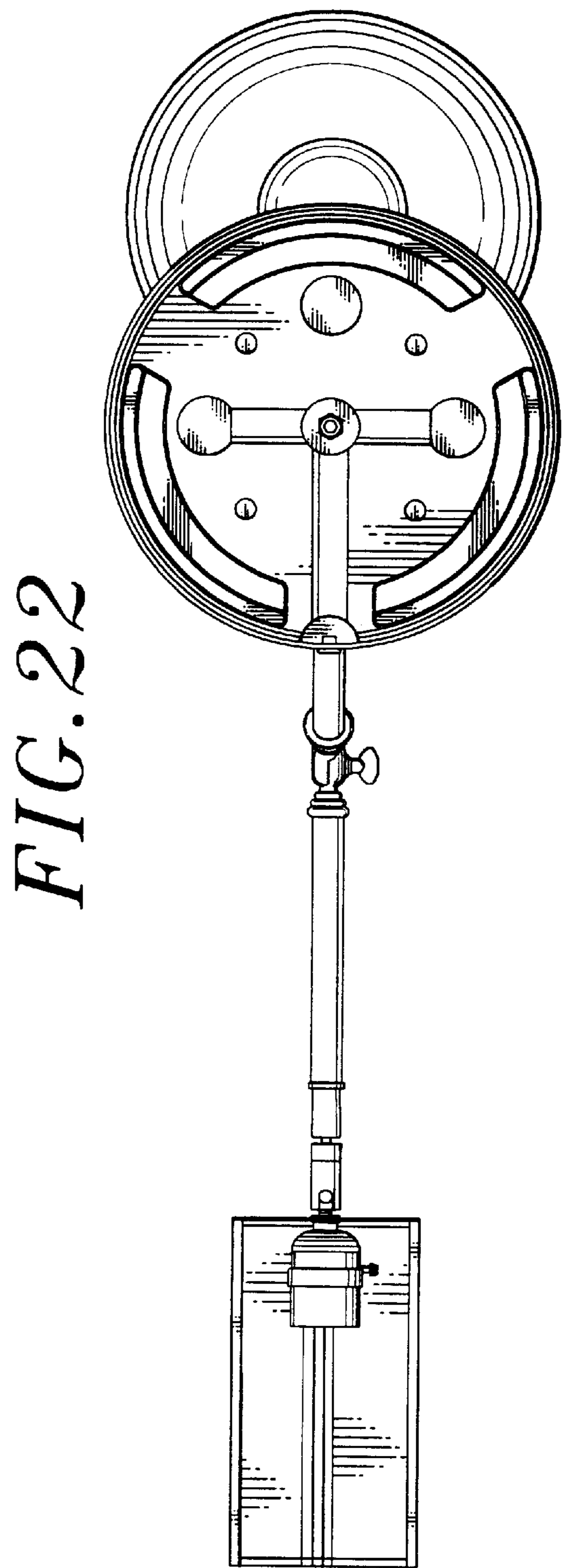
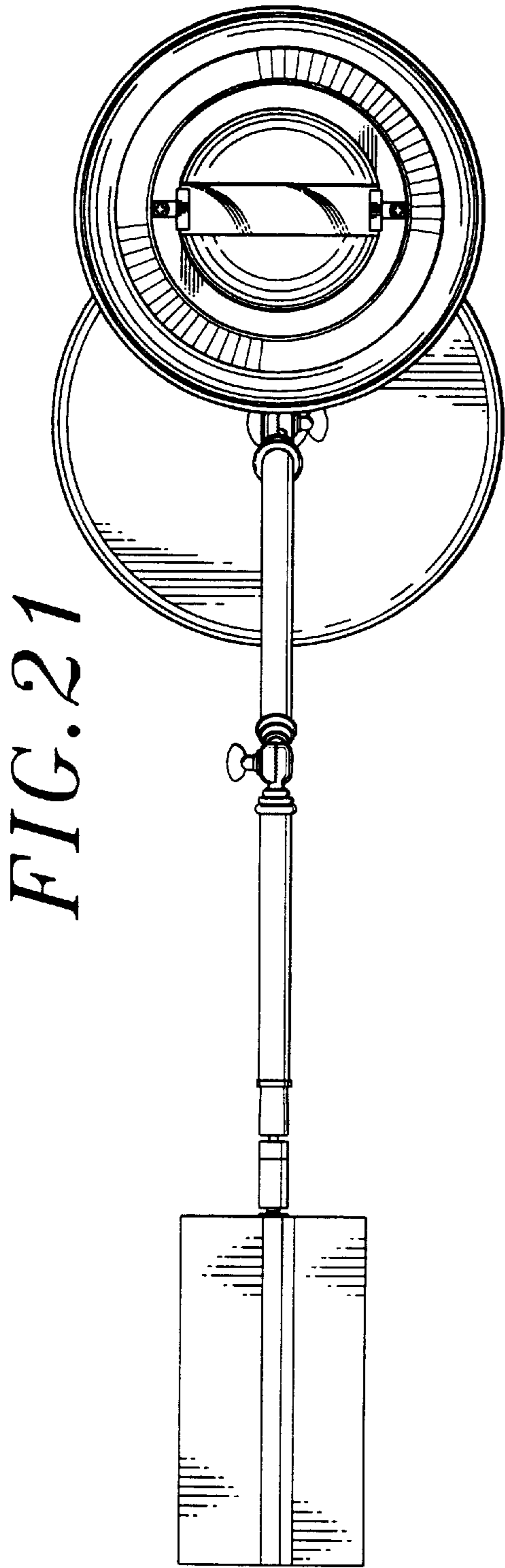


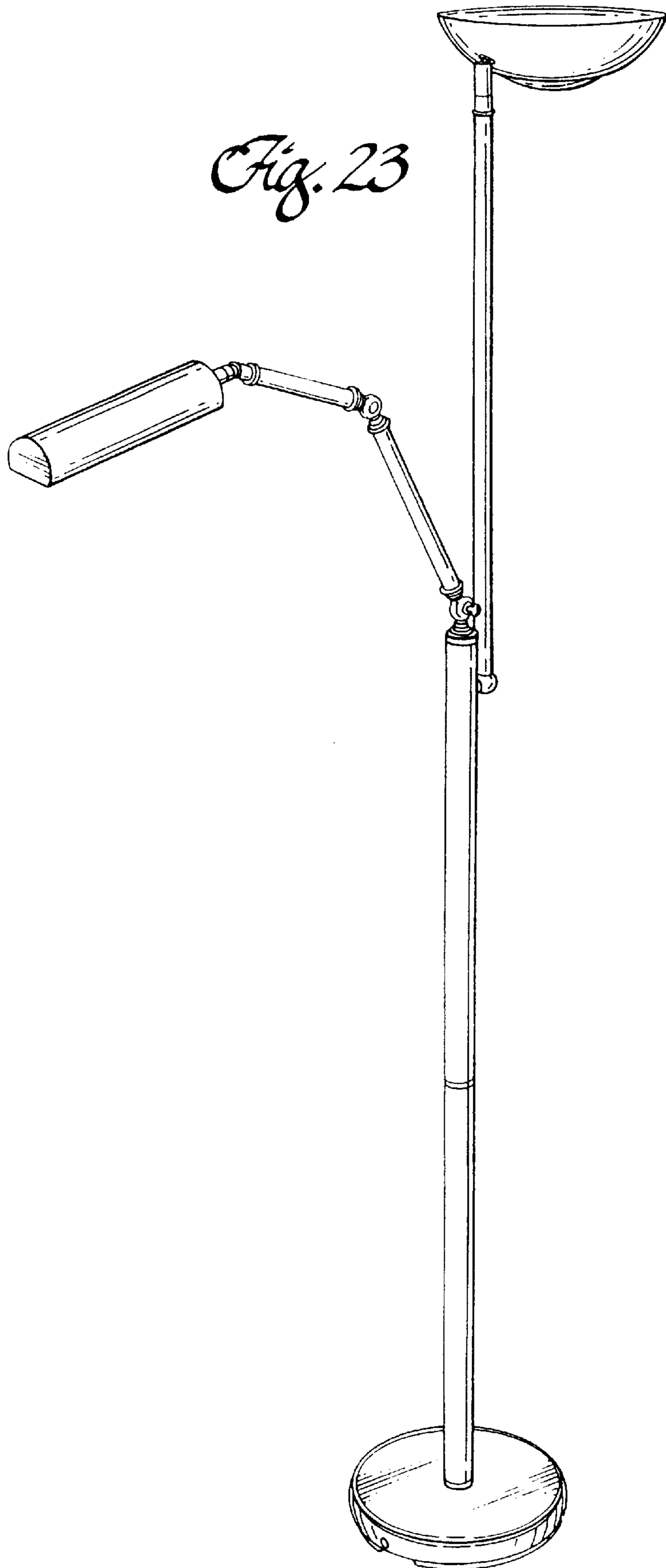
*Fig. 16*



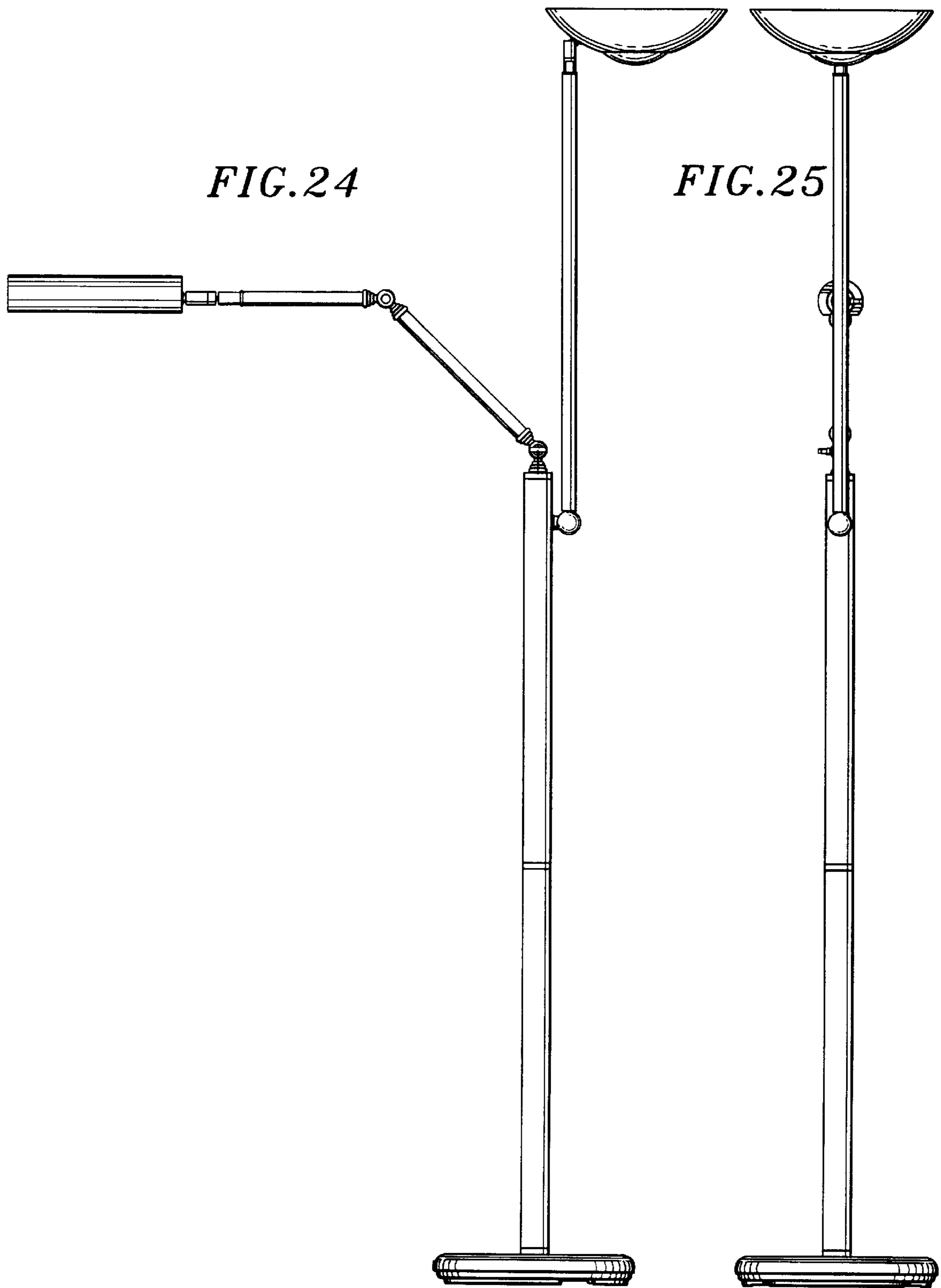












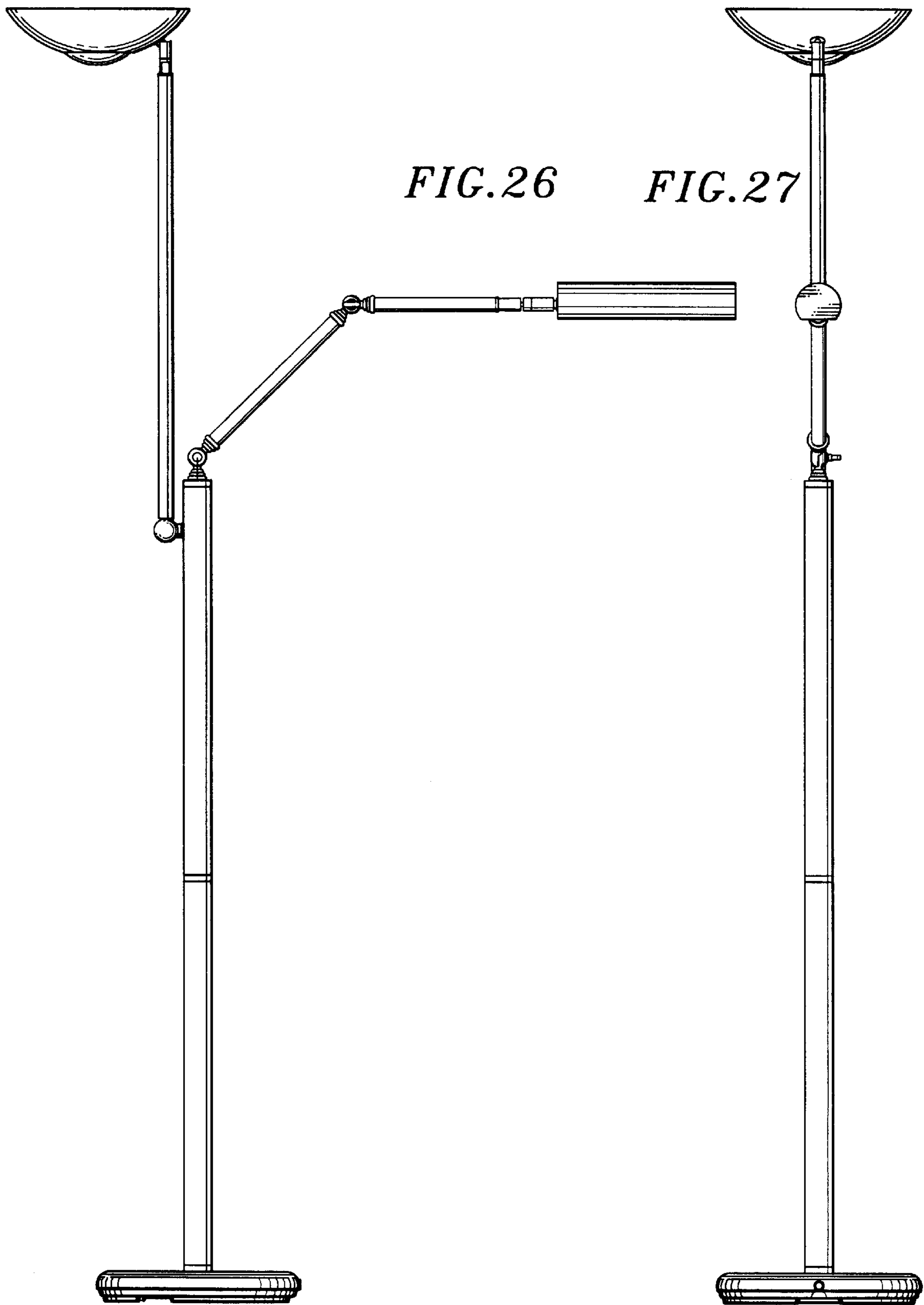


FIG. 26

FIG. 27

FIG. 28

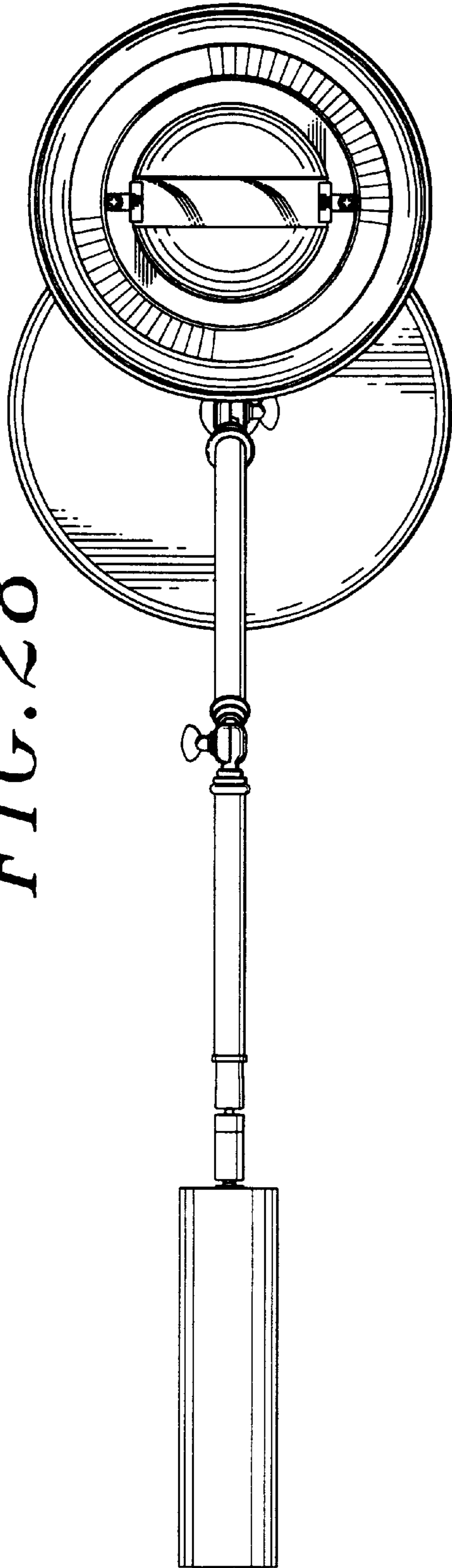


FIG. 29

