



US00D409322S

United States Patent [19] Yang

[11] **Patent Number: Des. 409,322**

[45] **Date of Patent: ** May 4, 1999**

[54] **DESK LAMP**

Lighting and Lamps, p. 46, Morrow Co. lamp shade, Jul. 1952.

[76] Inventor: **Roger Yang**, 15F-7, No. 77, Hsin-Tai Wu Rd., Sec.1. Hsi-Chih, Taipei Hsien, Taiwan

Primary Examiner—Susan J. Lucas
Attorney, Agent, or Firm—Rosenberg, Klein & Bilker

[**] Term: **14 Years**

[21] Appl. No.: **29/090,893**

[22] Filed: **Jul. 20, 1998**

[57] **CLAIM**

The ornamental design for a desk lamp, as shown and described.

[51] **LOC (6) Cl.** **26-05**

[52] **U.S. Cl.** **D26/63; D26/107**

[58] **Field of Search** D26/93, 102-112, D26/63, 62; 362/410-414

DESCRIPTION

FIG. 1 is a perspective view thereof;

FIG. 2 is a front view thereof;

FIG. 3 is a rear view thereof;

FIG. 4 is a left side view thereof;

FIG. 5 is a right side view thereof;

FIG. 6 is a top view thereof; and,

FIG. 7 is a bottom view thereof.

[56] **References Cited**

U.S. PATENT DOCUMENTS

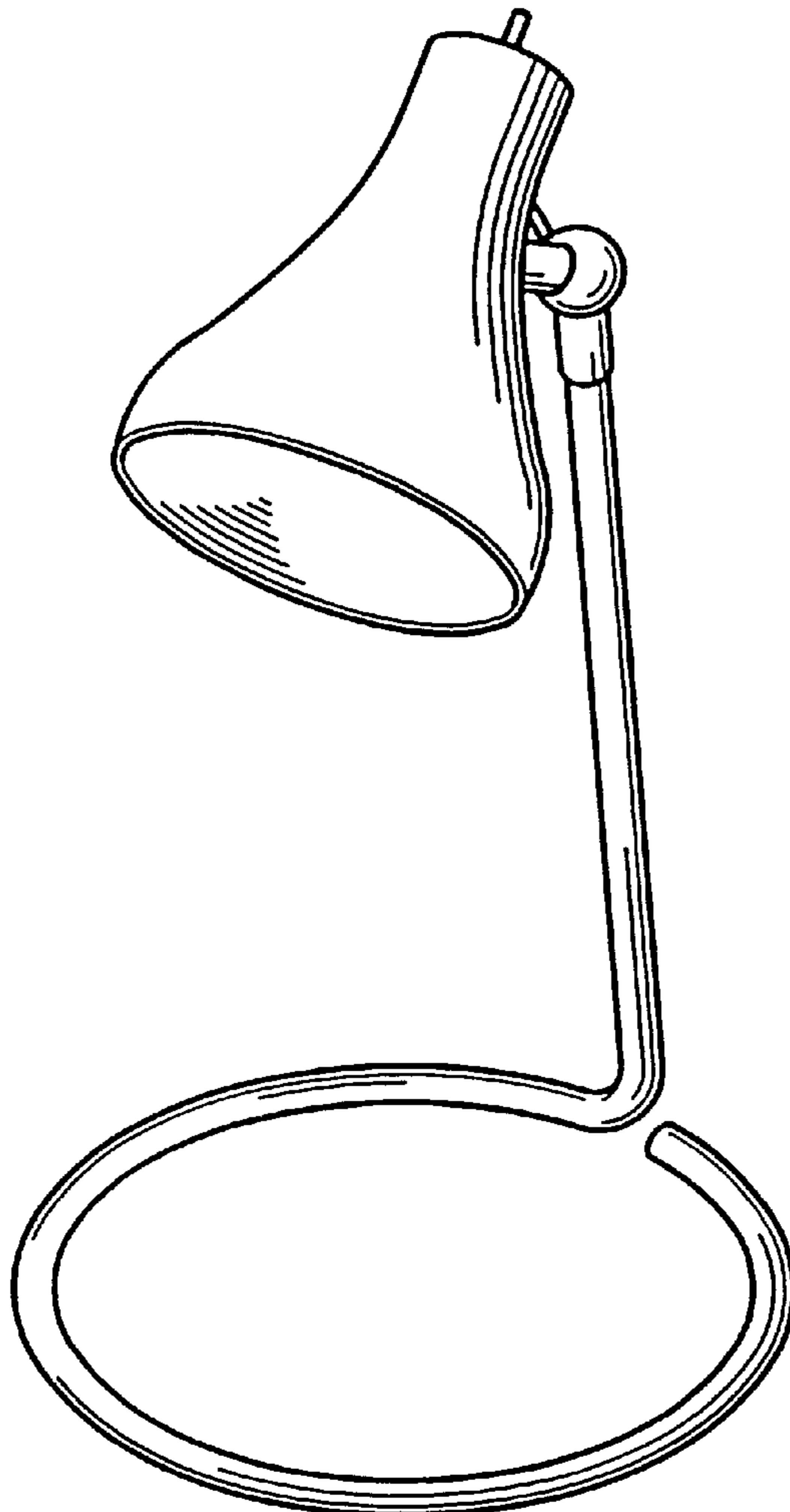
- D. 164,886 10/1951 Versen D26/63
- D. 399,021 9/1998 Lam D26/106

OTHER PUBLICATIONS

Domus magazine, Ads. p. 122, "Turbo" floor lamp, Nov. 1988.

Lamp Journal, p. 70, "Cobra Lite" desk lamp, May 1962.

1 Claim, 4 Drawing Sheets



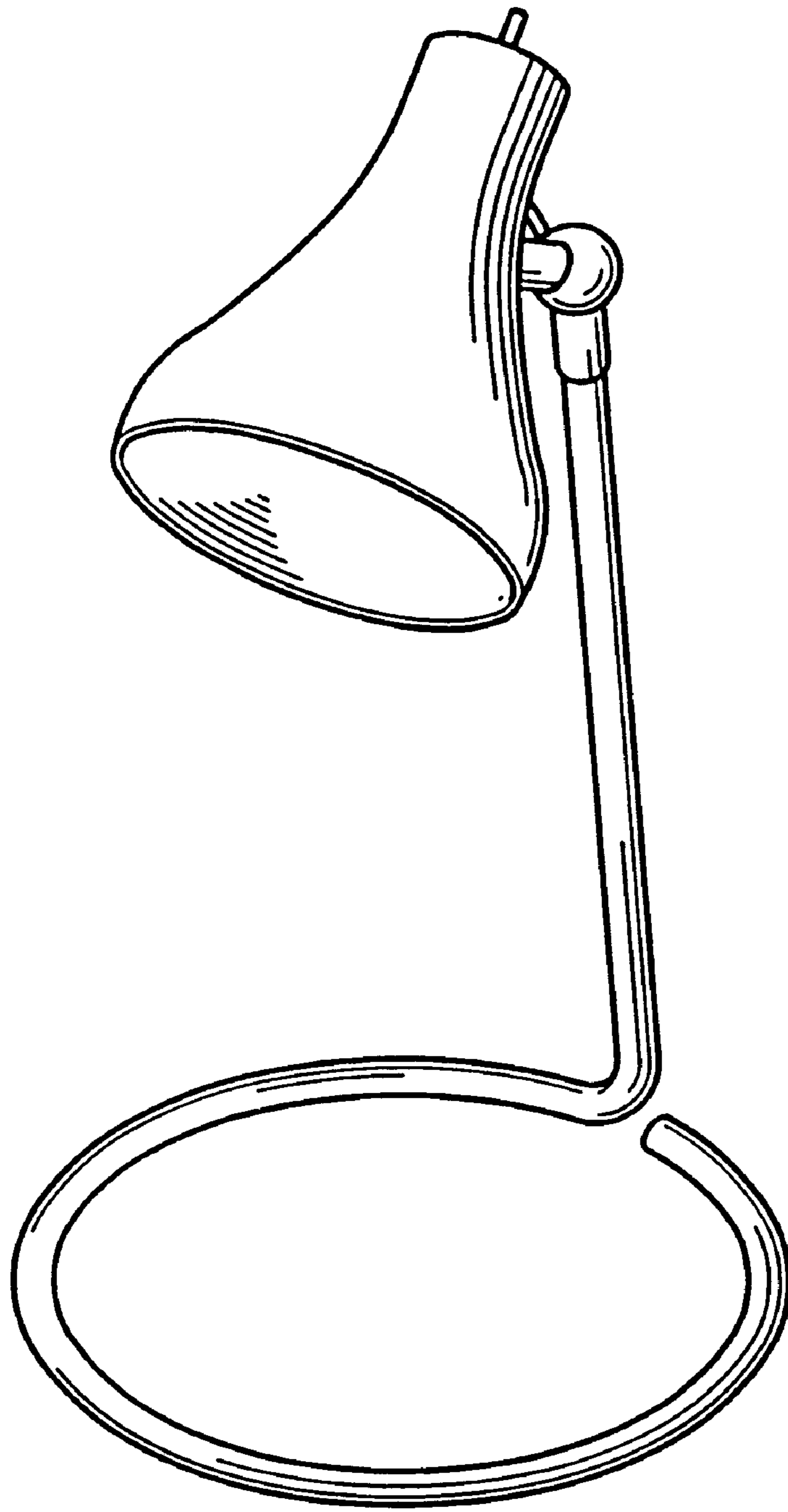


FIG. 1

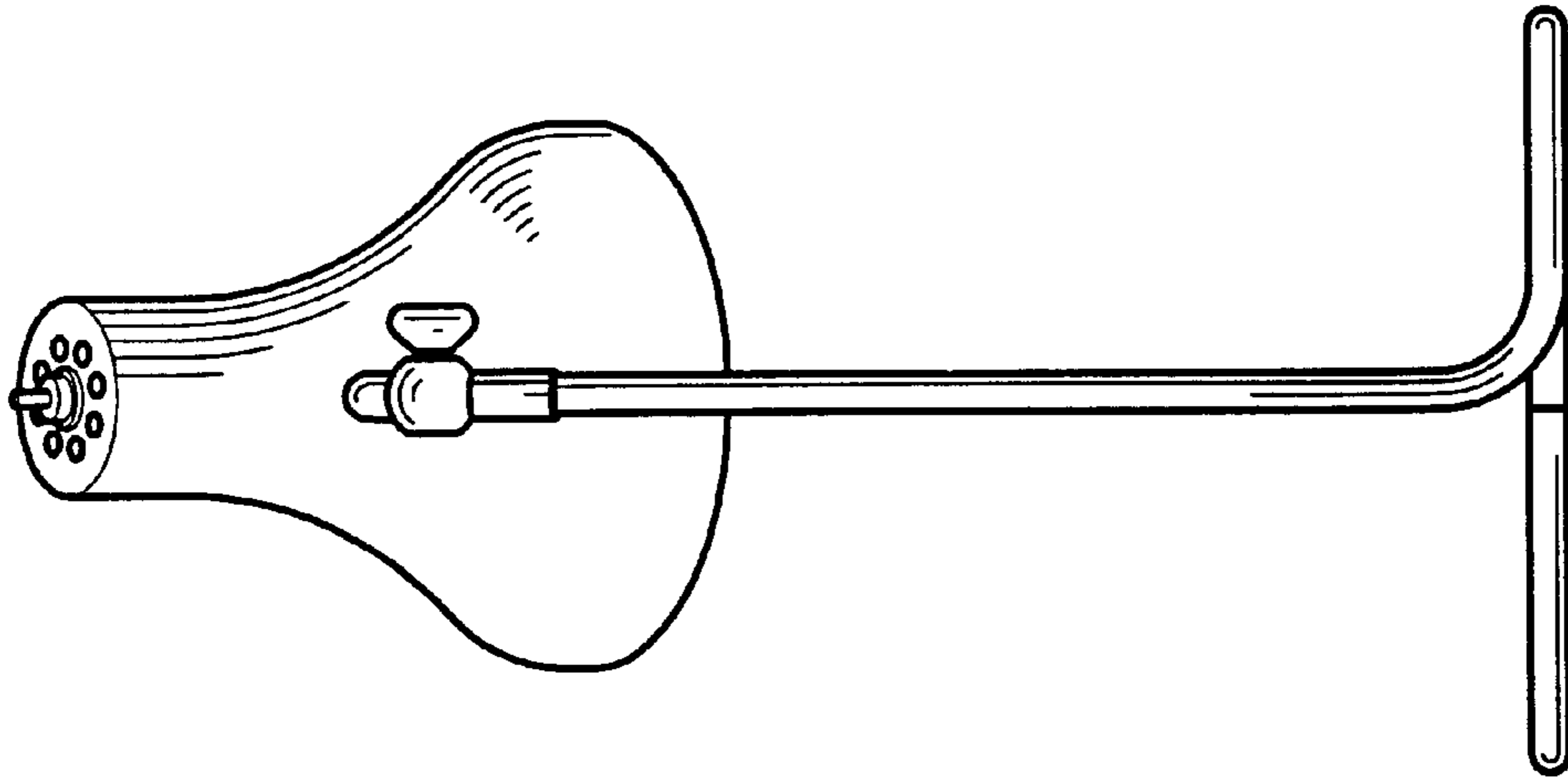


FIG. 3

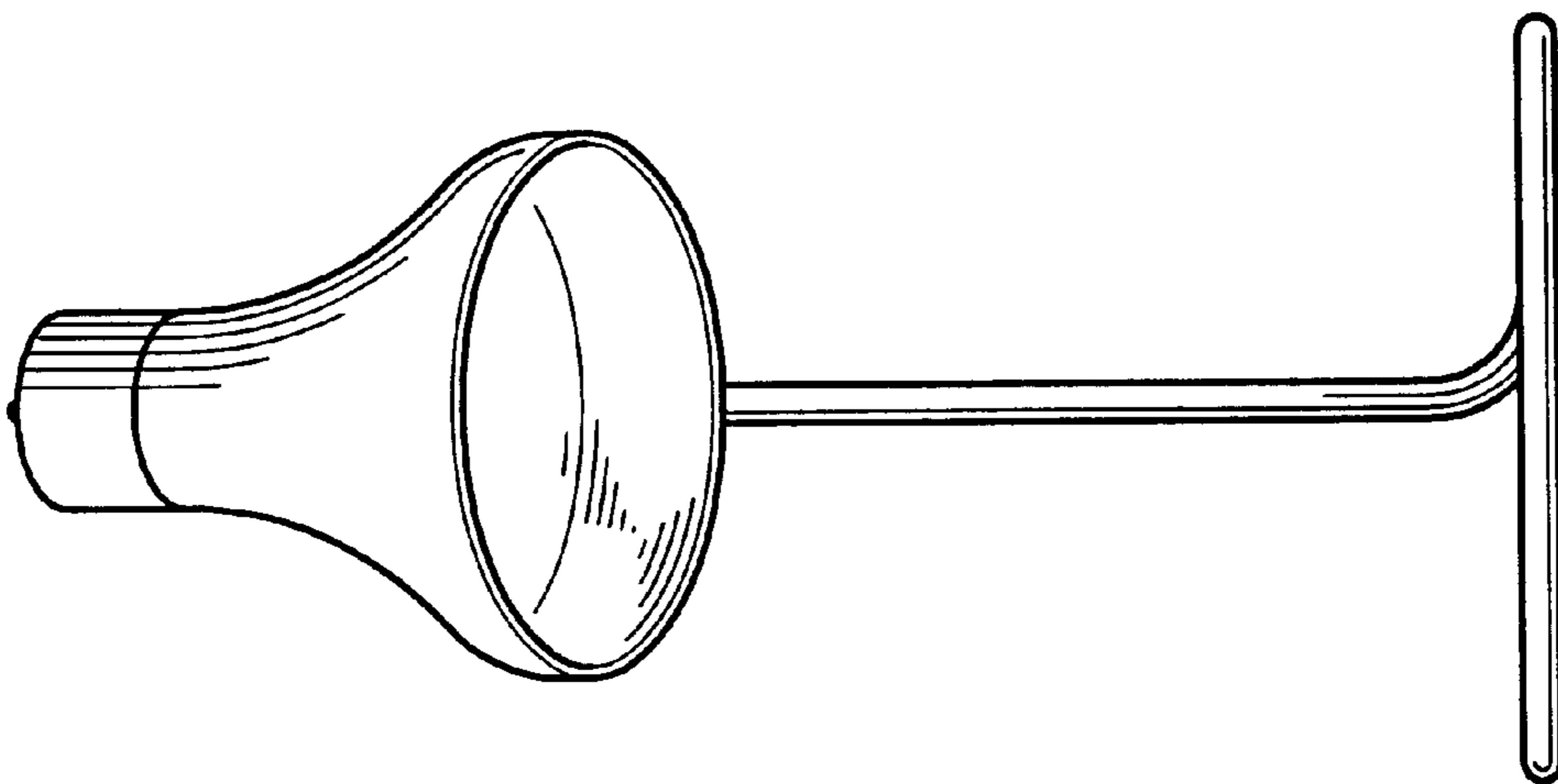


FIG. 2

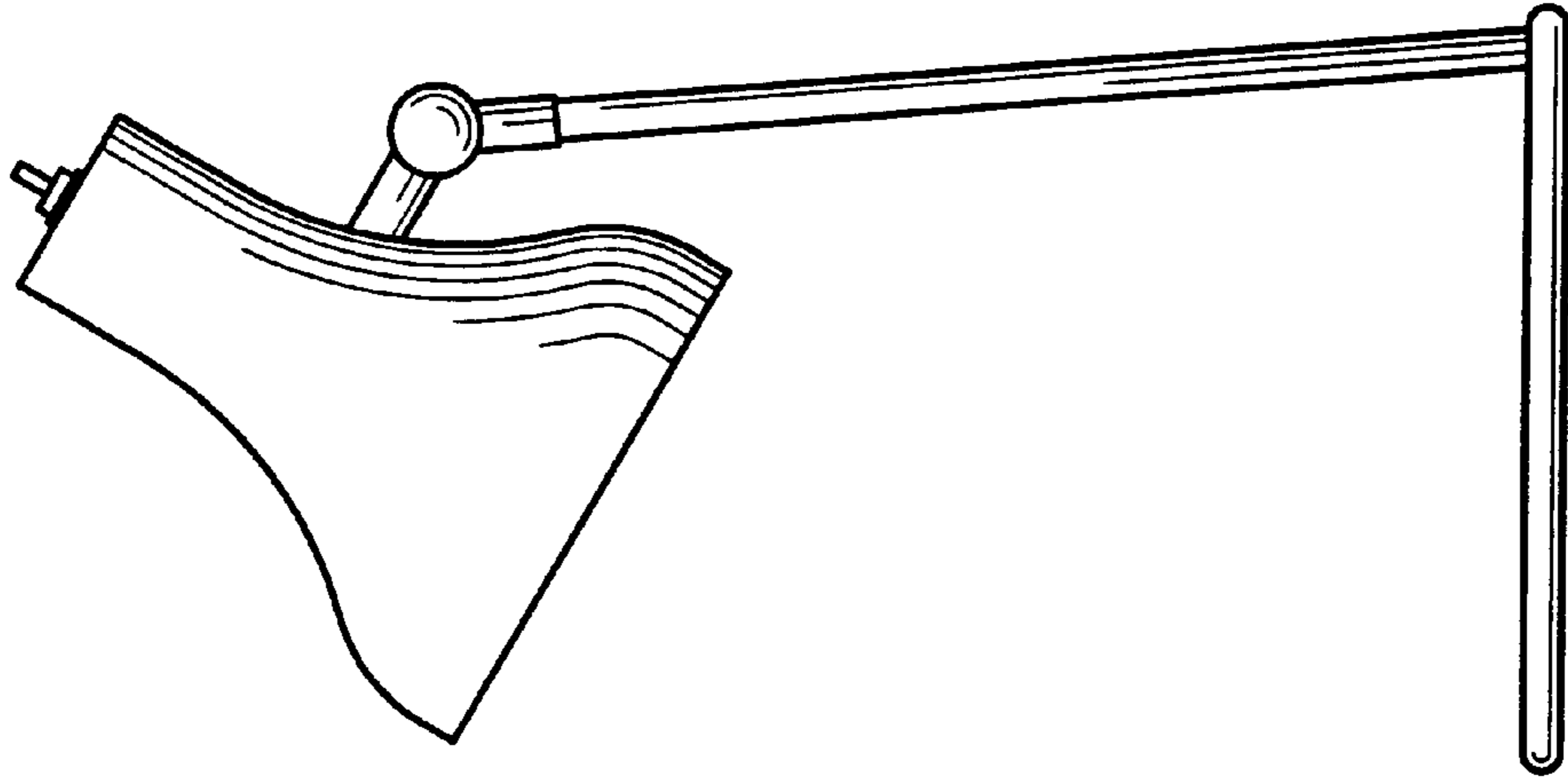


FIG. 5

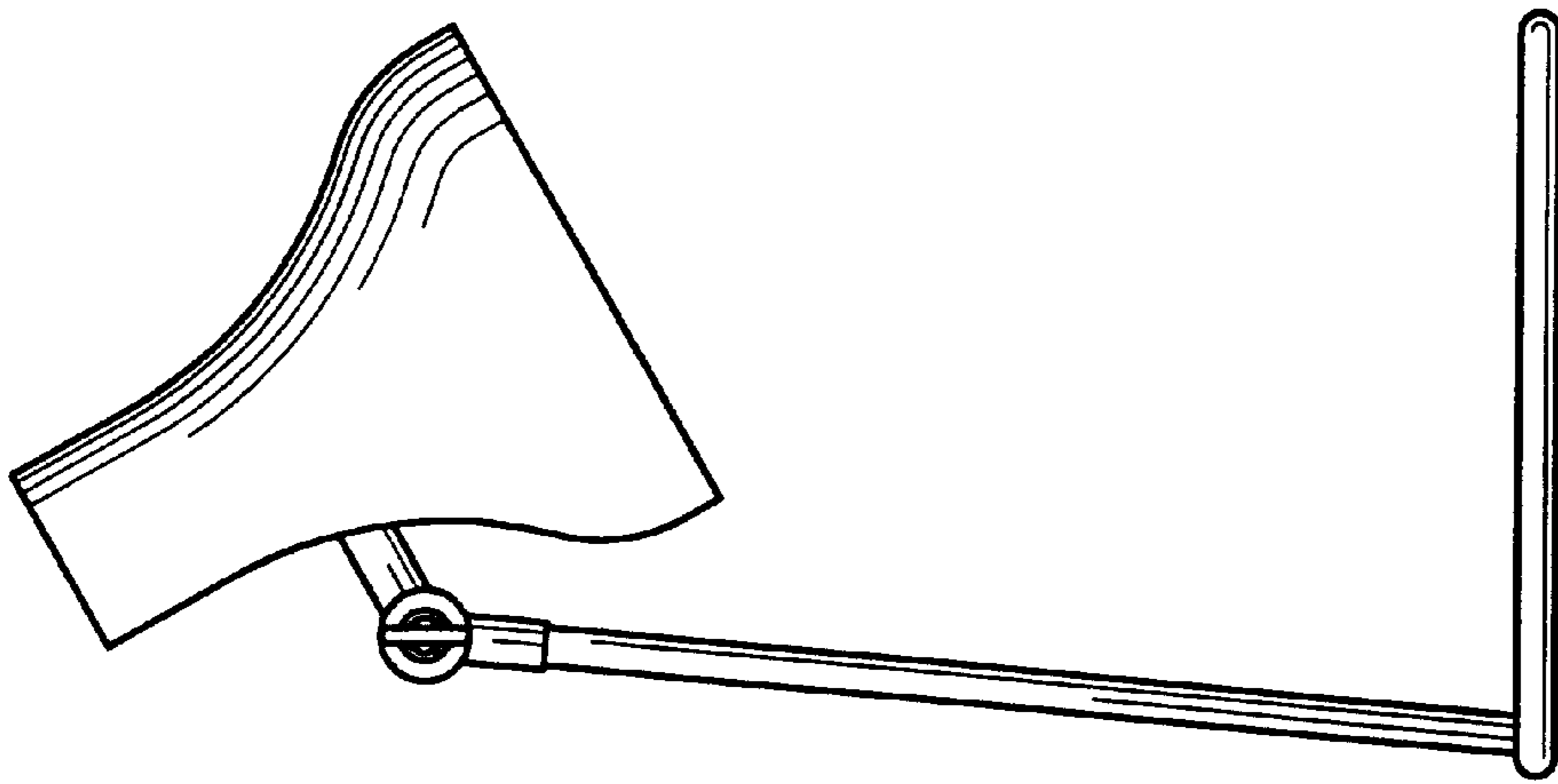


FIG. 4

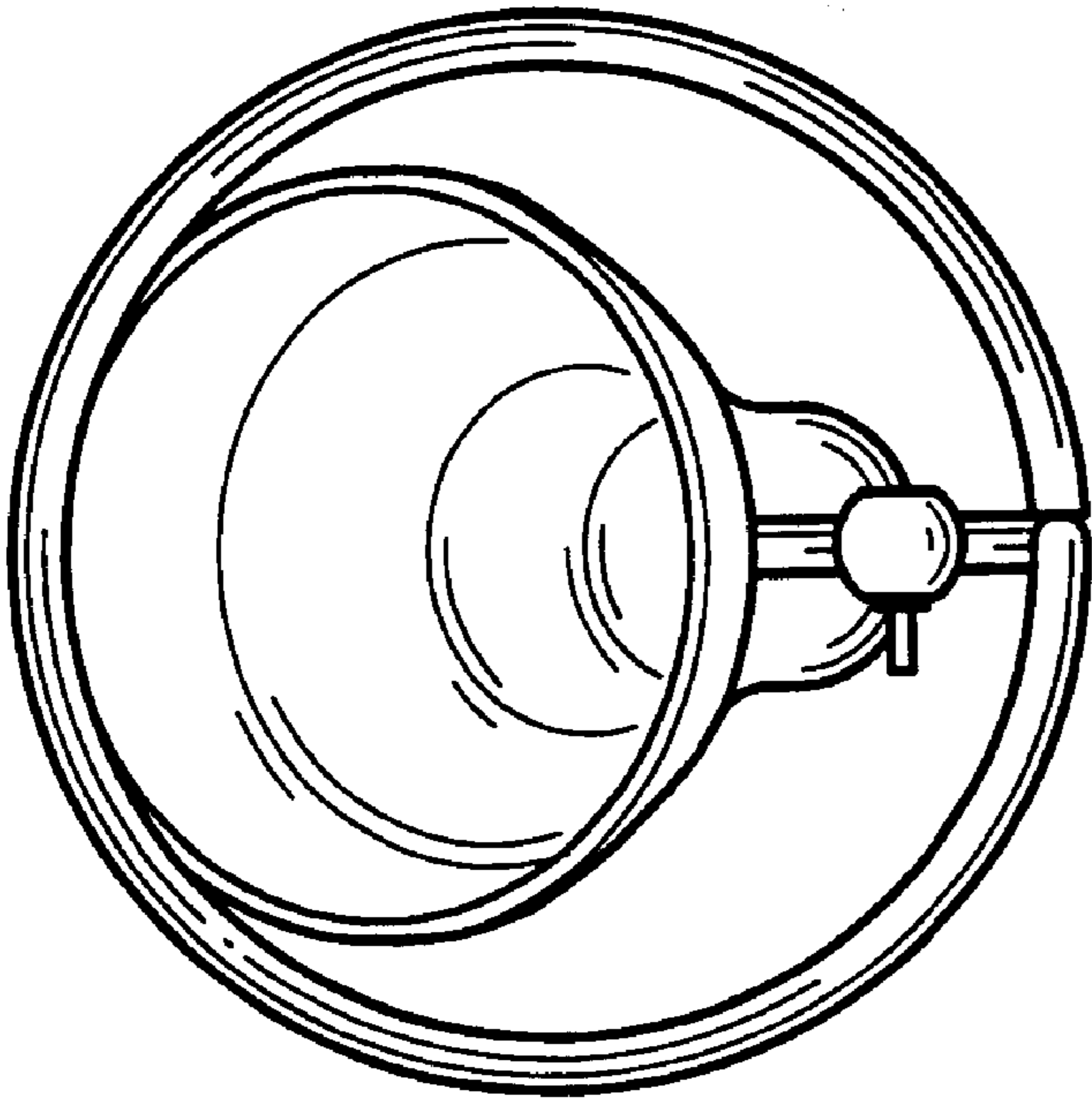


FIG. 7

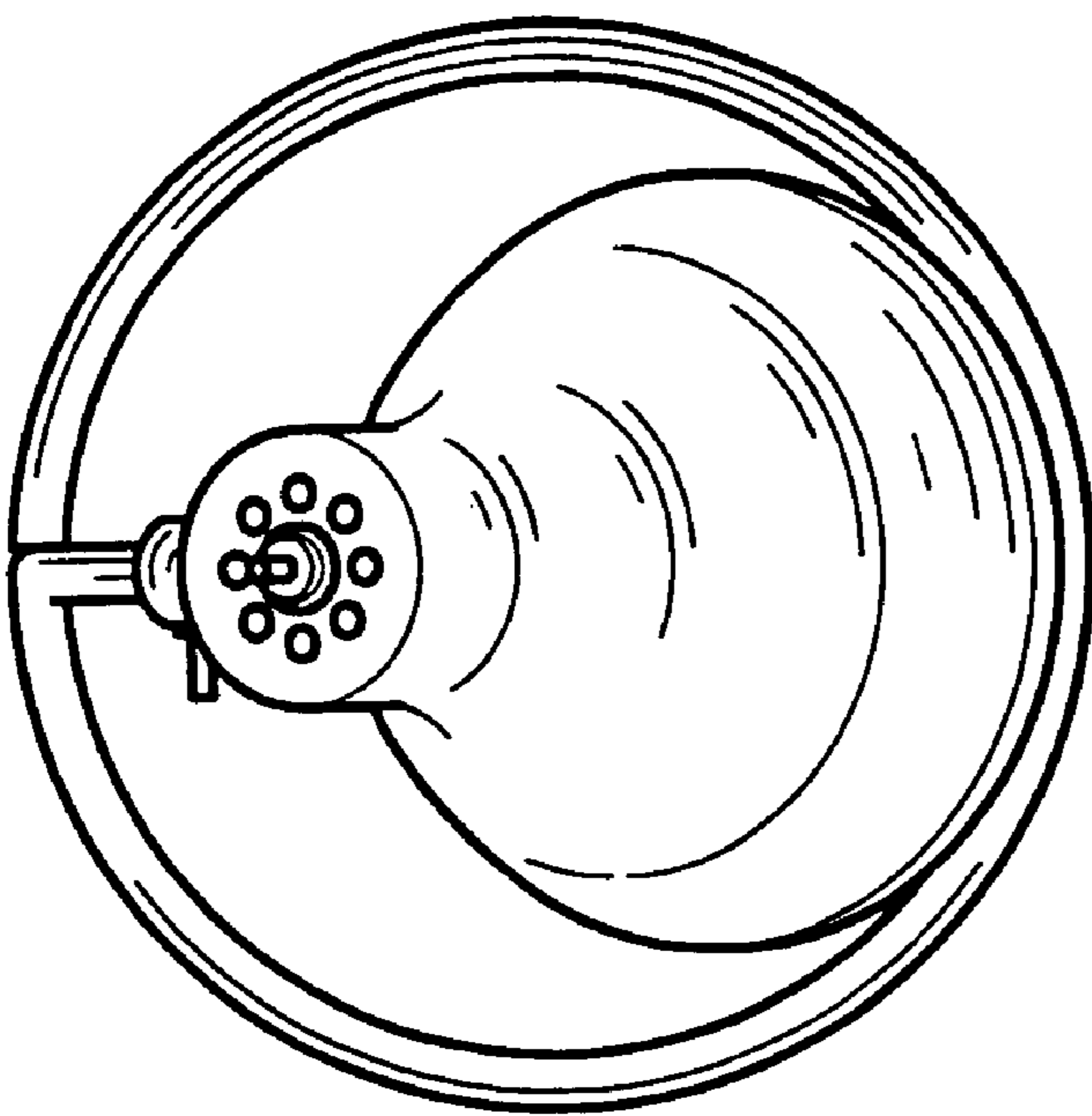


FIG. 6