



US00D409319S

United States Patent [19]

[11] **Patent Number: Des. 409,319**

Lo

[45] **Date of Patent: ** May 4, 1999**

[54] **LANTERN**

D. 282,211 1/1986 Jang D26/42
D. 393,323 4/1998 Howard et al. D26/41

[75] **Inventor: Ying-Hoi Lo, Tsuen Wan, The Hong Kong Special Administrative Region of the People's Republic of China**

Primary Examiner—Marcus A. Jackson
Attorney, Agent, or Firm—Burns, Doane, Swecker & Mathis LLP

[73] **Assignee: Lomak Industrial Co. Ltd., Hong Kong, The Hong Kong Special Administrative Region of the People's Republic of China**

[57] CLAIM

[**] **Term: 14 Years**

The ornamental design for a “lantern”, as shown and described.

[21] **Appl. No.: 29/059,570**

DESCRIPTION

[22] **Filed: Sep. 13, 1996**

FIG. 1 is a front view of a “lantern” showing my design; the rear view corresponds;

[51] **LOC (6) Cl. 26-02**

[52] **U.S. Cl. D26/41**

FIG. 2 is a left side view thereof, and right side view corresponds;

[58] **Field of Search** D26/37-50; 362/157, 362/158, 159, 171, 172, 173, 174, 177, 178, 183-208

FIG. 3 is a top plan view thereof; and,

FIG. 4 is a bottom plan view thereof.

[56] References Cited

U.S. PATENT DOCUMENTS

D. 190,674 6/1961 Hoenisch D26/41

1 Claim, 4 Drawing Sheets

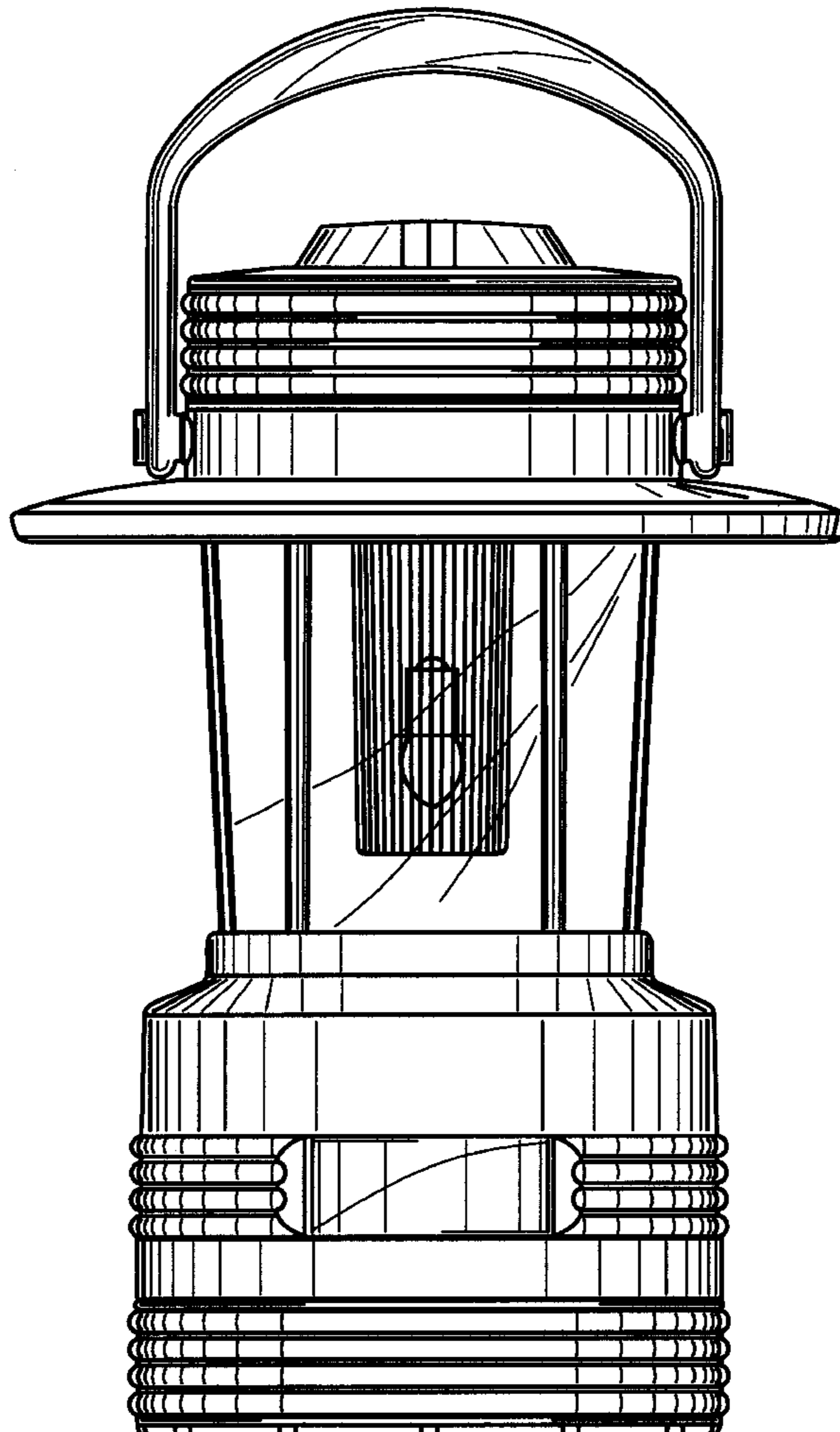


FIG. 1

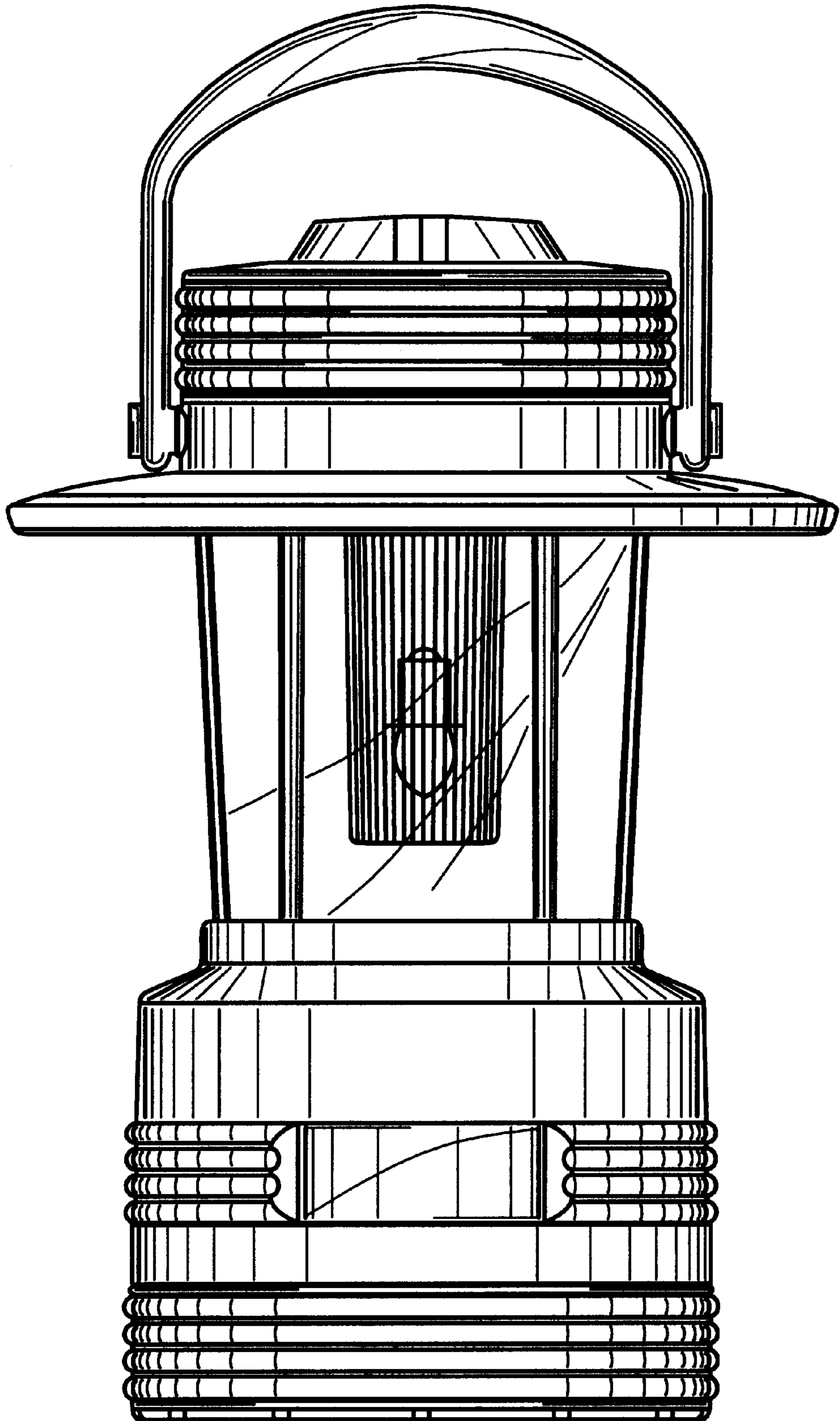


FIG. 2

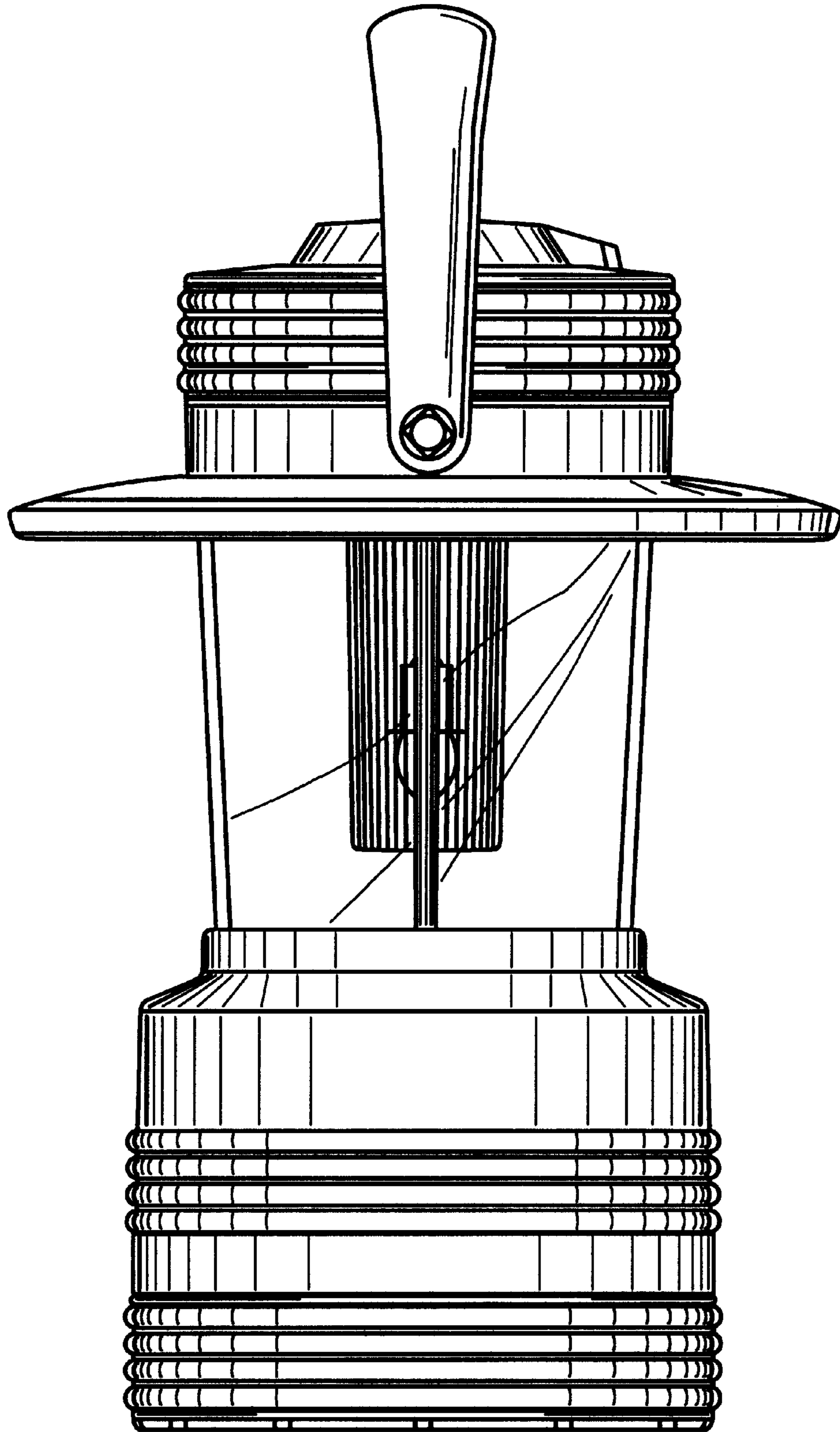


FIG. 3

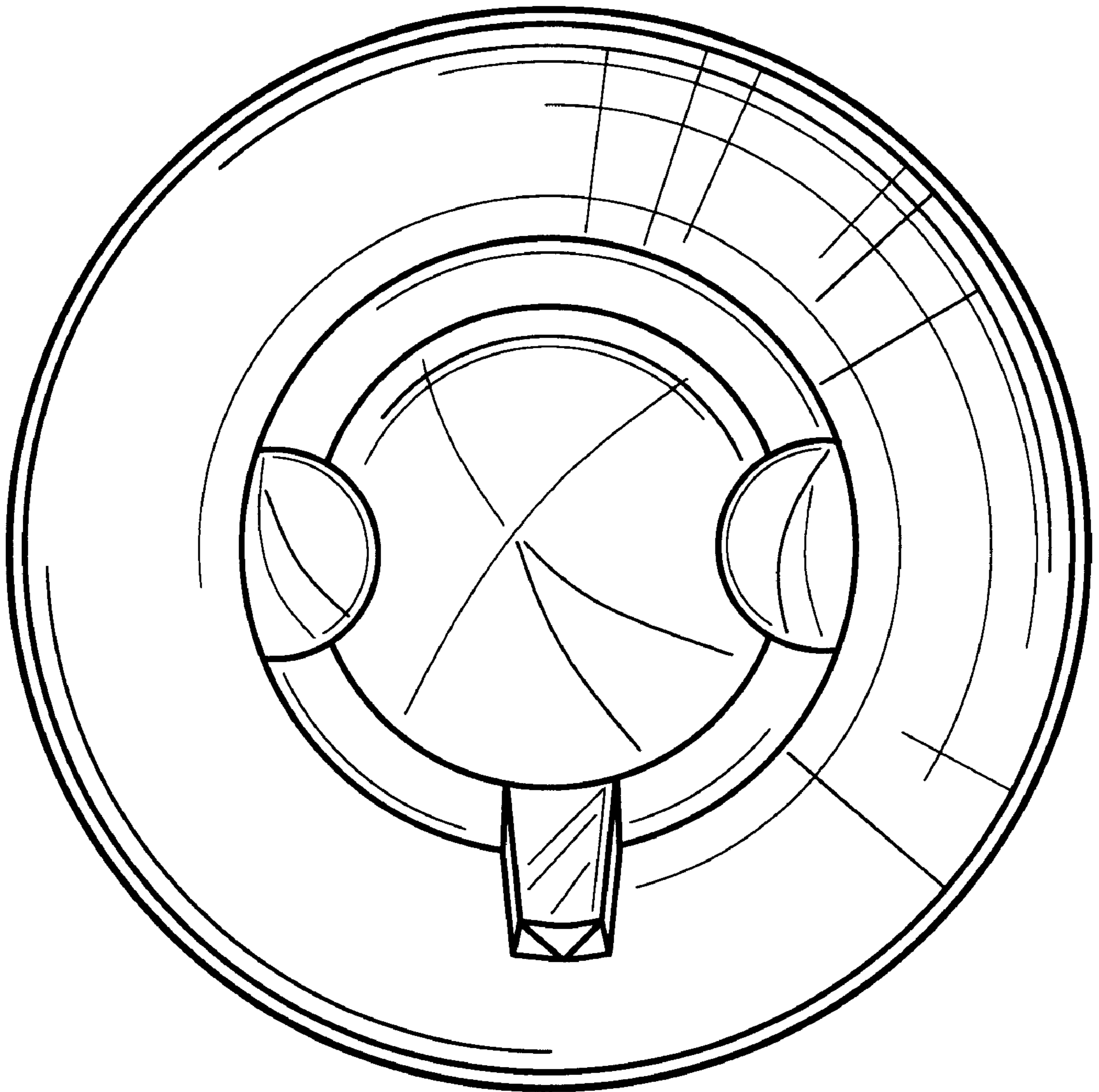


FIG. 4

