



US00D409310S

**United States Patent** [19]  
**Goldwitz**

[11] **Patent Number: Des. 409,310**

[45] **Date of Patent: \*\* May 4, 1999**

[54] **SHELTER CONSTRUCTION**

5,671,766 9/1997 Williams ..... 135/87

[76] Inventor: **Brian L. Goldwitz**, 342 Country La.,  
Orange, Conn. 06477

*Primary Examiner*—Doris Clark  
*Attorney, Agent, or Firm*—Melvin I. Stoltz

[\*\*] Term: **14 Years**

[57] **CLAIM**

[21] Appl. No.: **29/085,408**

The ornamental design for the shelter construction, as shown  
and described.

[22] Filed: **Mar. 23, 1998**

**DESCRIPTION**

[51] **LOC (6) Cl.** ..... **25-03**

[52] **U.S. Cl.** ..... **D25/1**

[58] **Field of Search** ..... D25/1, 29; 52/79.1;  
135/87

FIG. 1 is a perspective view of the shelter construction  
showing my new design;  
FIG. 2 is a front elevational view thereof;  
FIG. 3 is a top plan view thereof;  
FIG. 4 is a side elevational view thereof, the opposite side  
being identical in appearance; and,  
FIG. 5 is a rear elevational view thereof.

[56] **References Cited**

**U.S. PATENT DOCUMENTS**

D. 267,904 2/1983 Hampel et al. .... D25/1  
3,826,270 7/1974 Hentges ..... 135/901

**1 Claim, 4 Drawing Sheets**

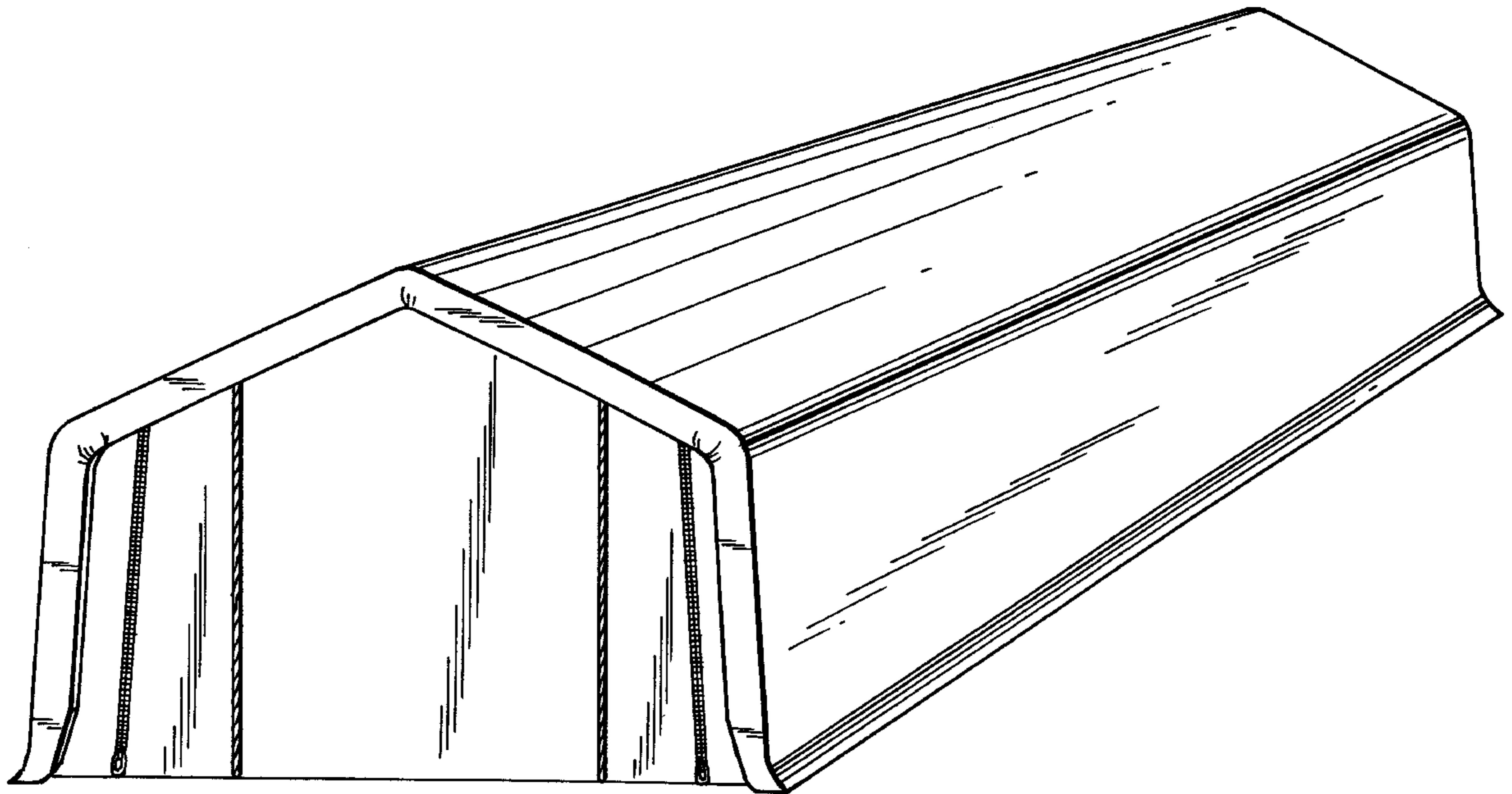
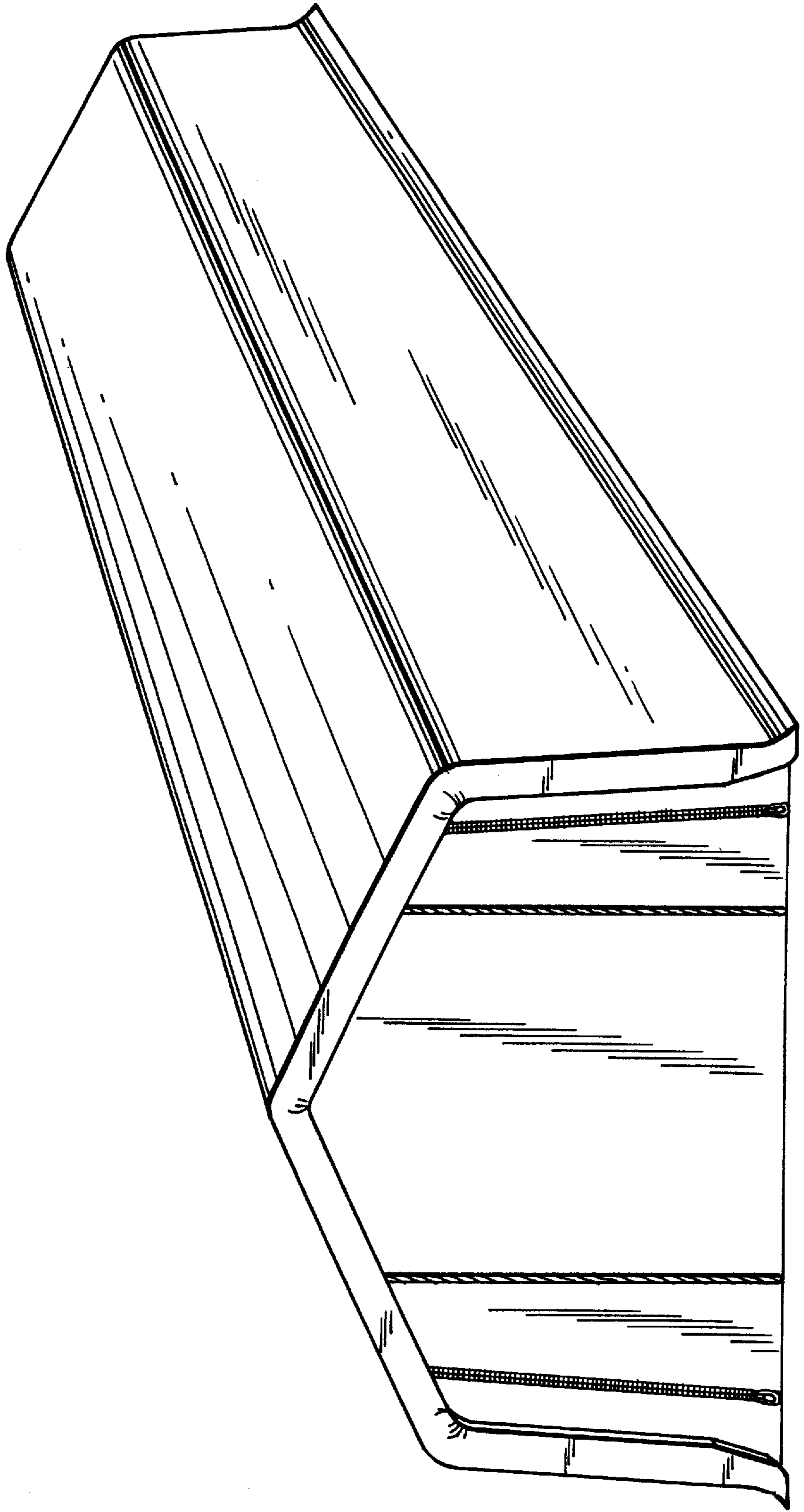


FIG. 1



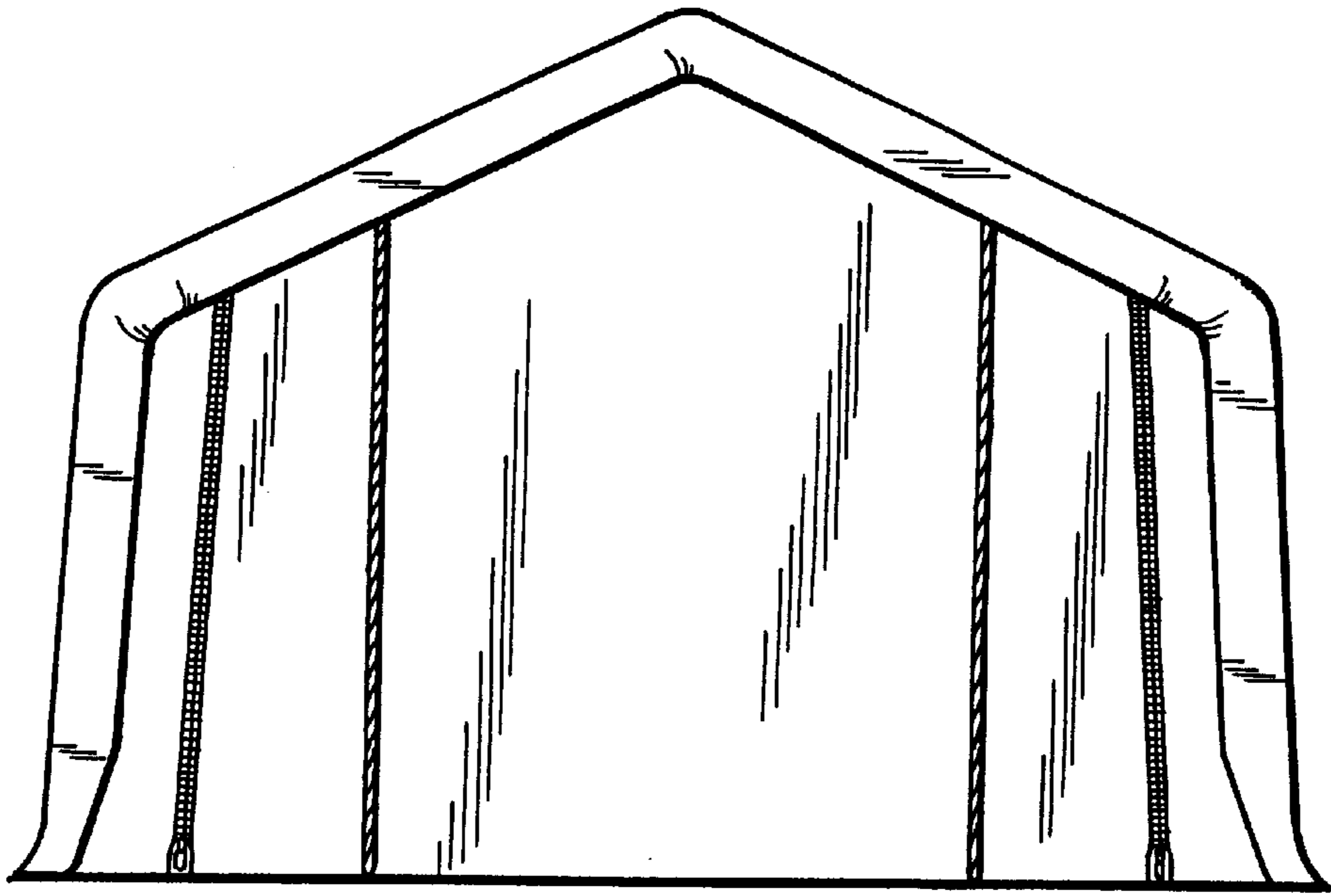


FIG. 2

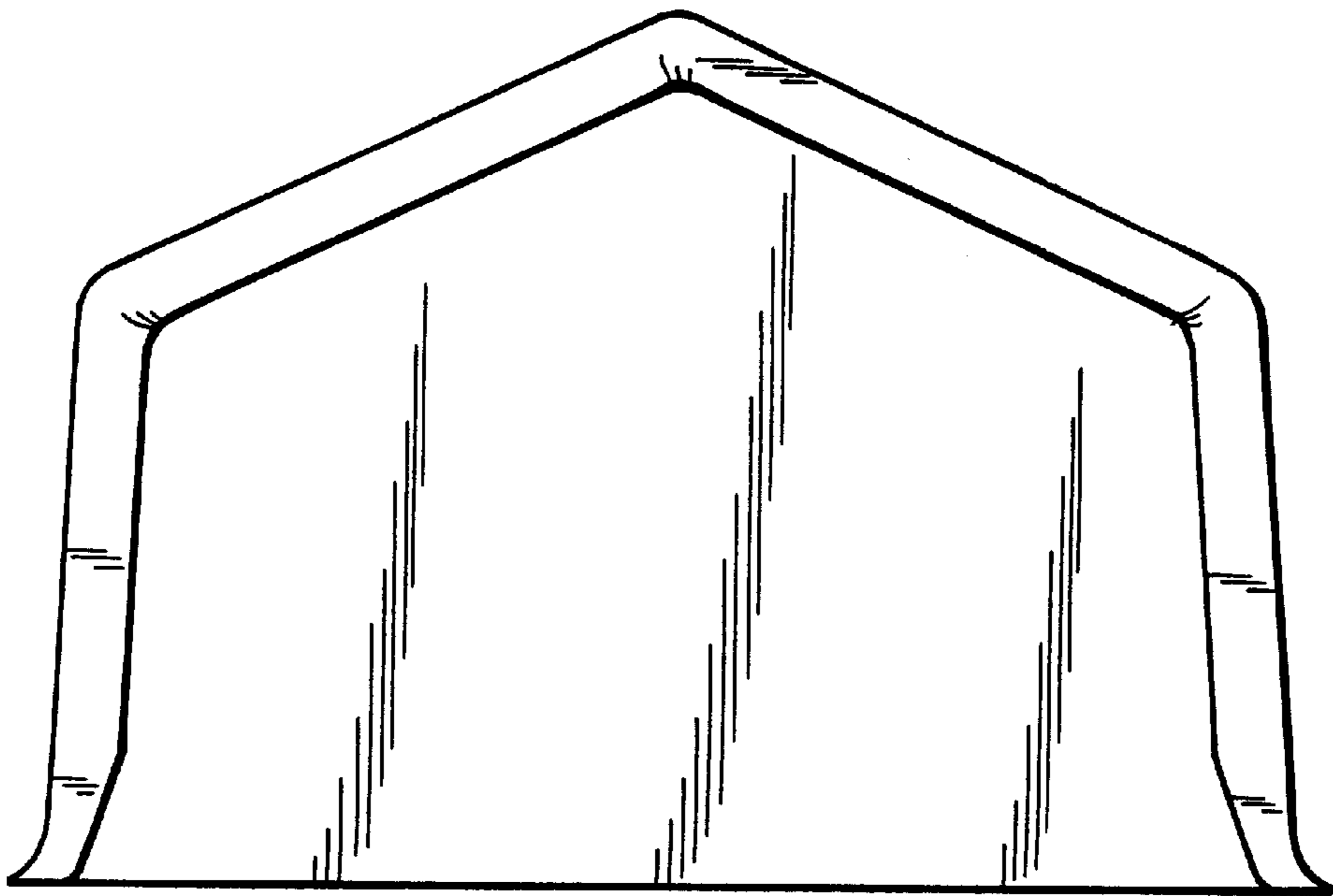


FIG. 5

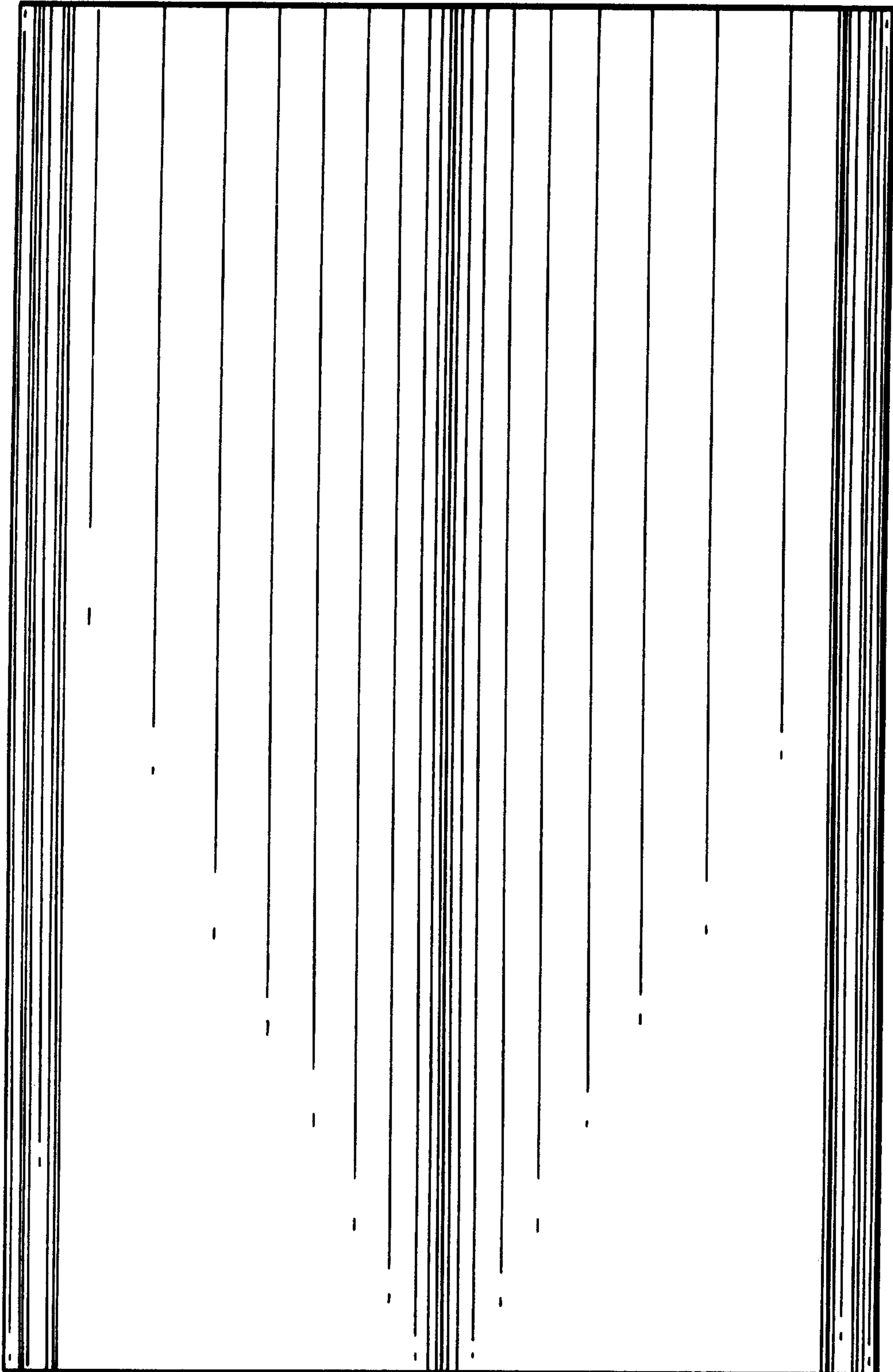


FIG. 3

**FIG. 4**

