



US00D409309S

**United States Patent** [19]  
**Tollman**

[11] **Patent Number: Des. 409,309**

[45] **Date of Patent: \*\* May 4, 1999**

[54] **COMBINED BABY PACIFIER AND COVER**

[75] Inventor: **Stephen Paul Tollman**, Woodside,  
United Kingdom

[73] Assignee: **Baby Basics Limited**, Gibraltar

[\*\*] Term: **14 Years**

[21] Appl. No.: **29/089,821**

[22] Filed: **Jun. 24, 1998**

[51] **LOC (6) Cl.** ..... **24-04**

[52] **U.S. Cl.** ..... **D24/194**

[58] **Field of Search** ..... D24/194, 196,  
D24/193; 606/234, 235, 236

[56] **References Cited**

**U.S. PATENT DOCUMENTS**

D. 340,287	10/1993	Hines	.....	D24/194
D. 391,641	3/1998	Fields et al.	.....	D24/194
4,493,324	1/1985	Johnston	.....	606/236
5,156,617	10/1992	Reid	.....	606/234
5,611,622	3/1997	Wang	.....	606/236 X

*Primary Examiner*—Stella Reid  
*Attorney, Agent, or Firm*—McMillan, Sobanski & Todd,  
LLC

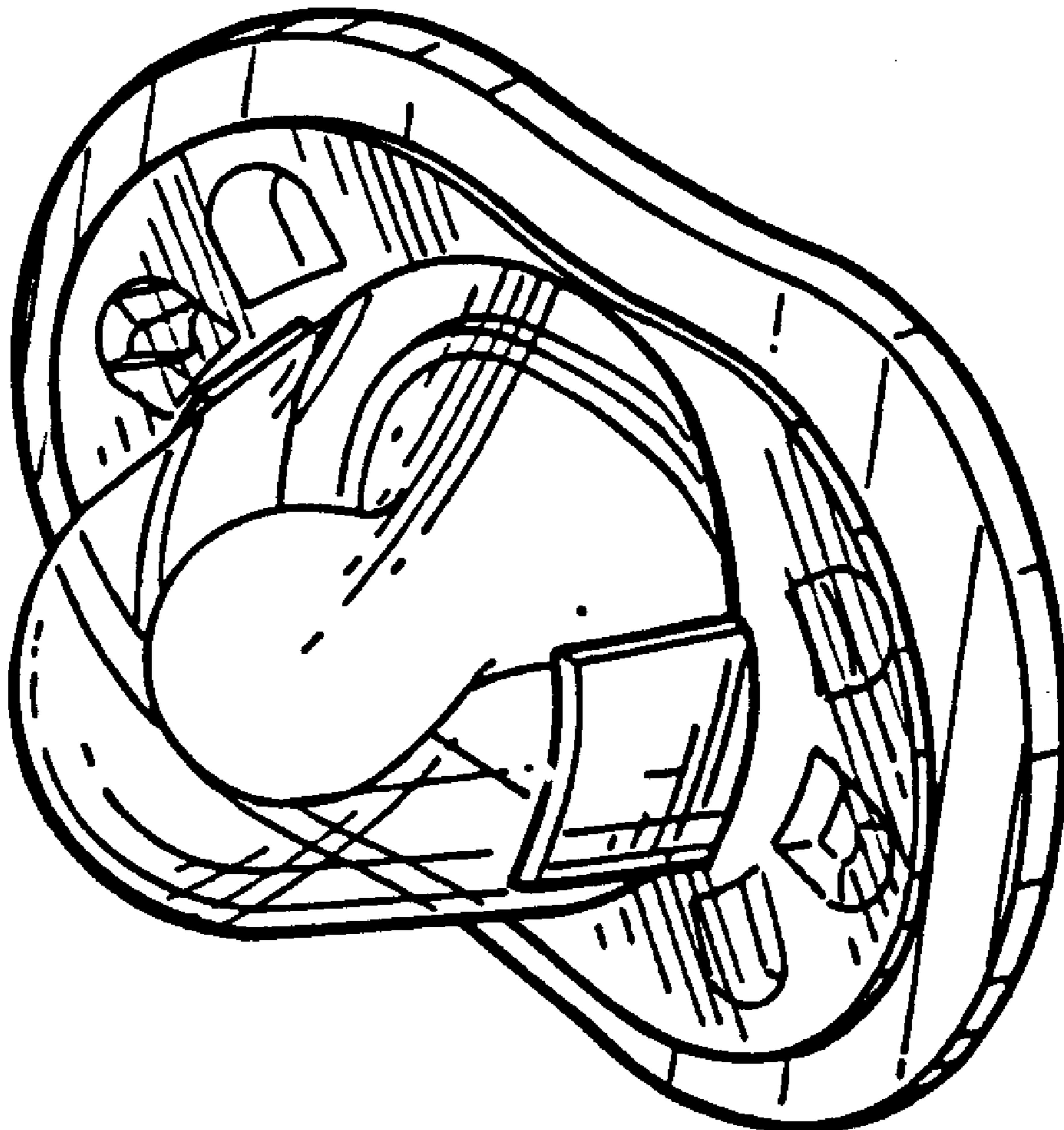
[57] **CLAIM**

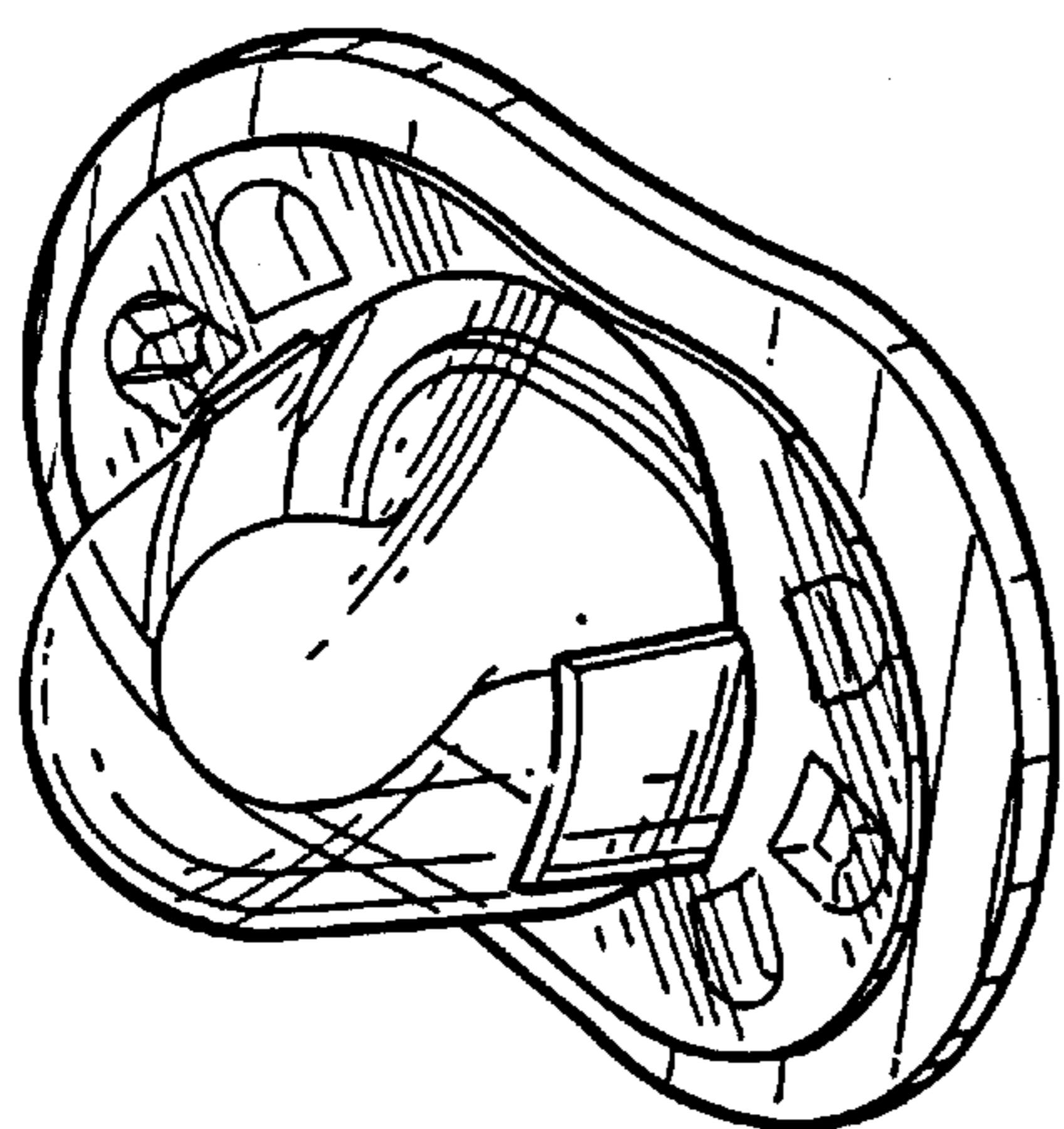
The ornamental design for a combined baby pacifier and cover, as shown and described.

**DESCRIPTION**

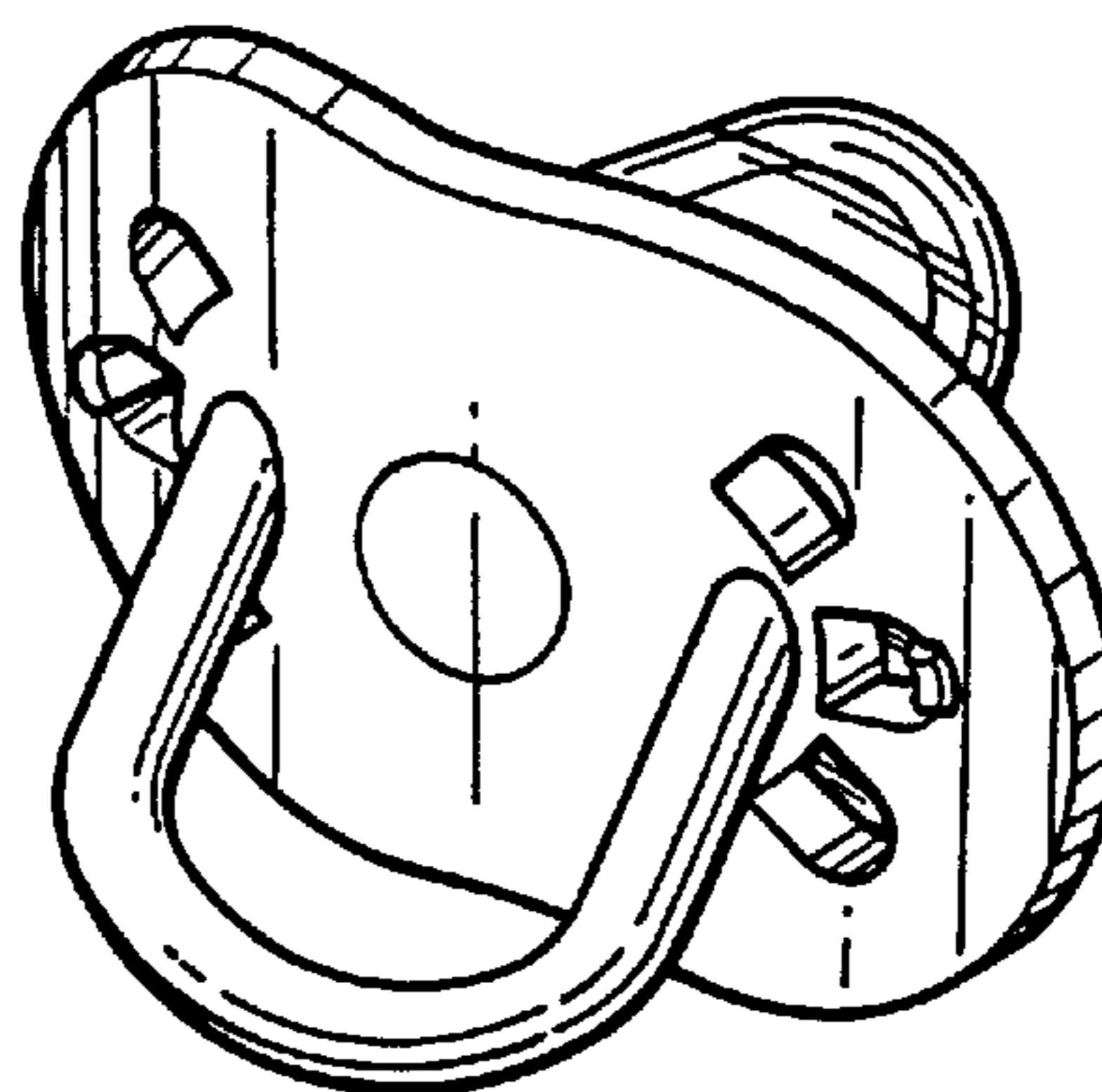
FIG. 1 is a left front side perspective view of a combined baby pacifier and cover, showing my new design, with the cover attached;  
FIG. 2 is a right rear side perspective view thereof;  
FIG. 3 is a front elevational view thereof;  
FIG. 4 is a bottom plan view thereof, with the top plan view being a mirror image thereof;  
FIG. 5 is a right side elevational view thereof;  
FIG. 6 is an exploded right front side perspective view thereof, with the cover removed;  
FIG. 7 is an exploded left rear side perspective view thereof;  
and,  
FIG. 8 is a front elevational view thereof.

**1 Claim, 2 Drawing Sheets**

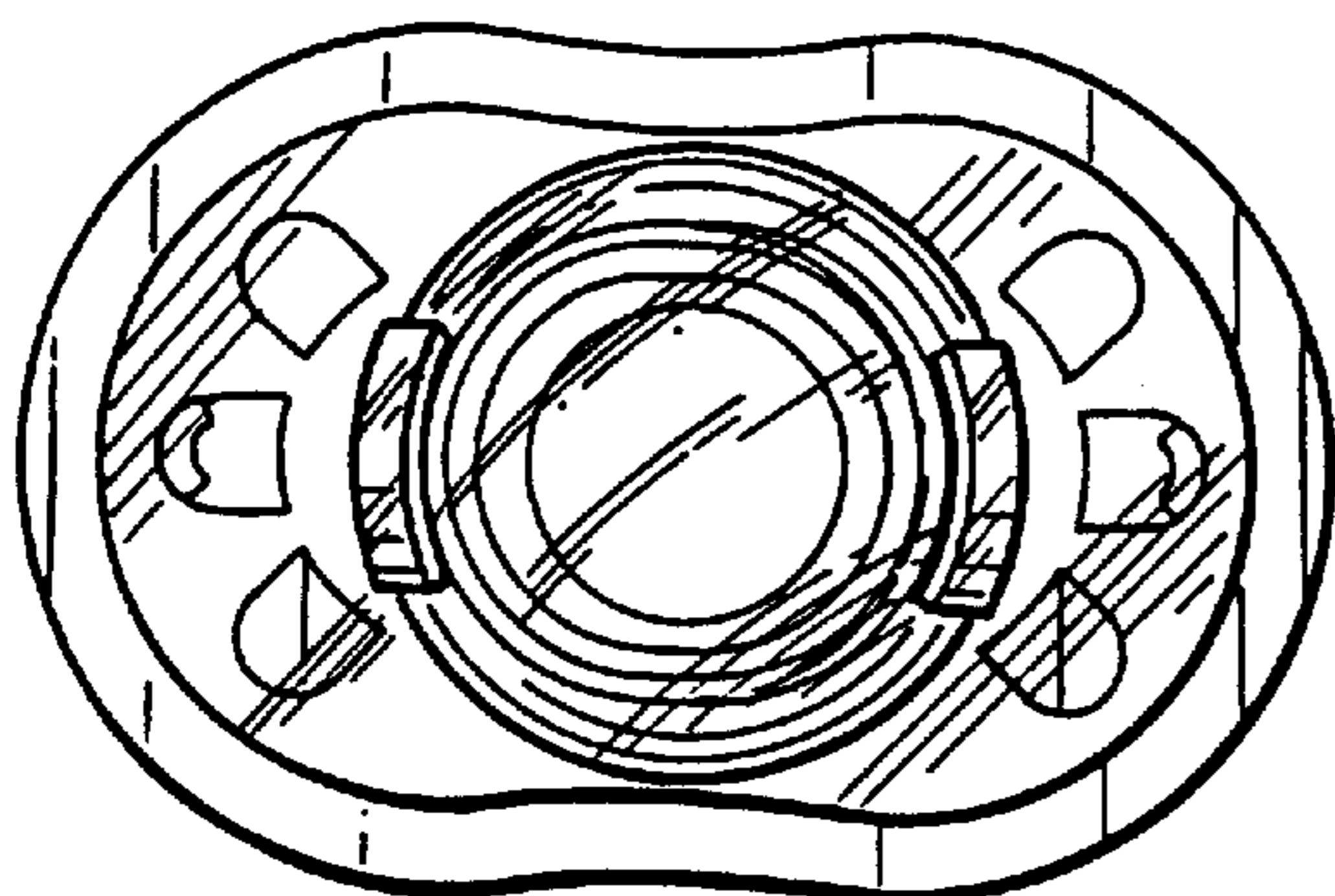




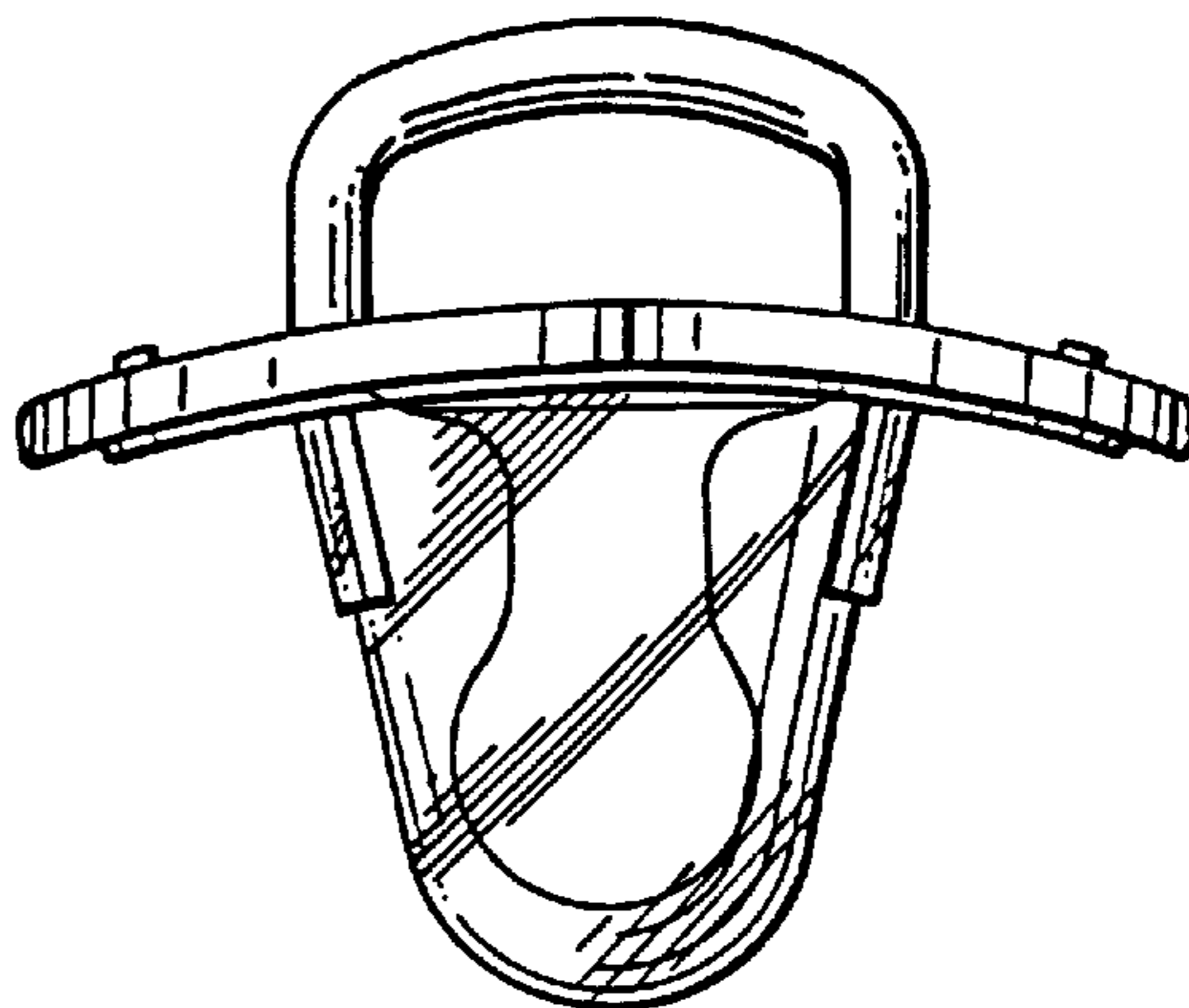
**FIG. 1**



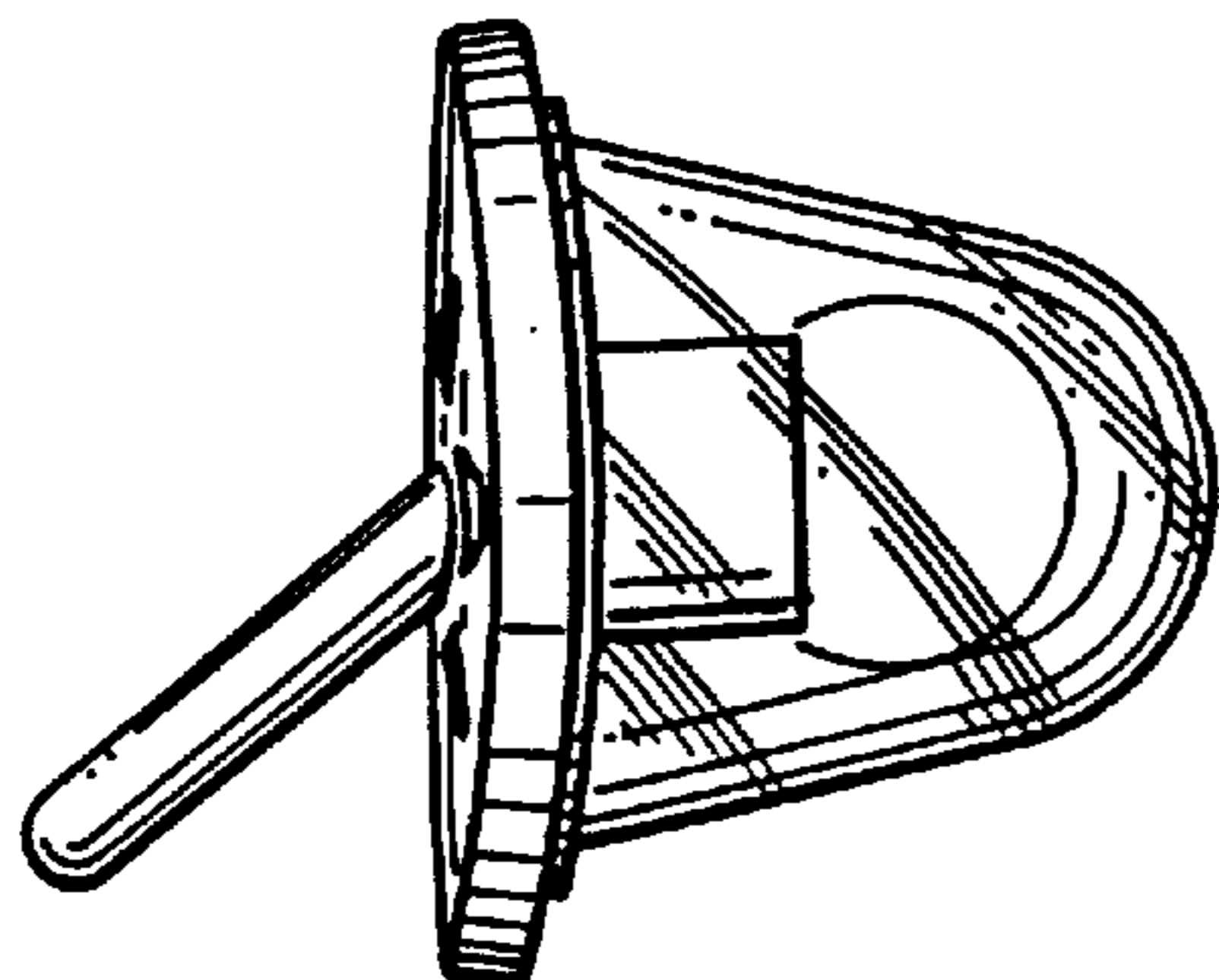
**FIG. 2**



**FIG. 3**



**FIG. 4**



**FIG. 5**

