



US00D409306S

United States Patent [19]

Ramsey et al.

[11] Patent Number: Des. 409,306

[45] Date of Patent: ** May 4, 1999

[54] **APPARATUS FOR ELECTRICAL DESTRUCTION OF MEDICAL INSTRUMENTS**

[75] Inventors: **Roger H. Ramsey**, Akron; **William E. Brazis**, Medina; **Cherry Bochmann**, Richfield; **Erin Riddell**, Cleveland, all of Ohio

[73] Assignee: **Innovative Medical Equipment, Inc.**, Akron, Ohio

[**] Term: **14 Years**

[21] Appl. No.: **29/070,032**

[22] Filed: **Apr. 25, 1997**

[51] **LOC (6) Cl.** **24-01**

[52] **U.S. Cl.** **D24/131**

[58] **Field of Search** D24/130, 131, D24/127, 108; 206/366; 220/254, 299; 83/944; 241/606; 219/68; 606/27; D9/527; D23/202; D34/1

[56] **References Cited**

U.S. PATENT DOCUMENTS

- D. 279,417 6/1985 Spencer D24/131
- D. 358,097 5/1995 Leibowitz D9/527
- D. 360,943 8/1995 Lafond D9/527

(List continued on next page.)

FOREIGN PATENT DOCUMENTS

WO 96/23538 8/1996 WIPO .

Primary Examiner—Louis S. Zarfes

Assistant Examiner—G. Albert Andoll

Attorney, Agent, or Firm—Renner, Kenner, Greive, Bobak, Taylor & Weber

[57] **CLAIM**

The ornamental design for an apparatus for electrical destruction of medical instruments, as shown and described.

DESCRIPTION

FIG. 1 is a perspective view of the apparatus for electrical

destruction of medical instruments showing our new design; FIG. 2 is a top plan view thereof;

FIG. 3 is a side elevational view thereof, the other side being a mirror image;

FIG. 4 is a rear elevational view thereof;

FIG. 5 is a frontal elevational view thereof;

FIG. 6 is a bottom view thereof;

FIG. 7 is a perspective view of an alternative apparatus for electrical destruction of medical instruments showing a variation of our new design;

FIG. 8 is a top plan view of the alternative design depicted in FIG. 7;

FIG. 9 is a side elevational view of the alternative design depicted in FIG. 7, the other side being a mirror image;

FIG. 10 is a rear elevational view of the alternative design depicted in FIG. 7;

FIG. 11 is a frontal elevational view of the alternative design depicted in FIG. 7;

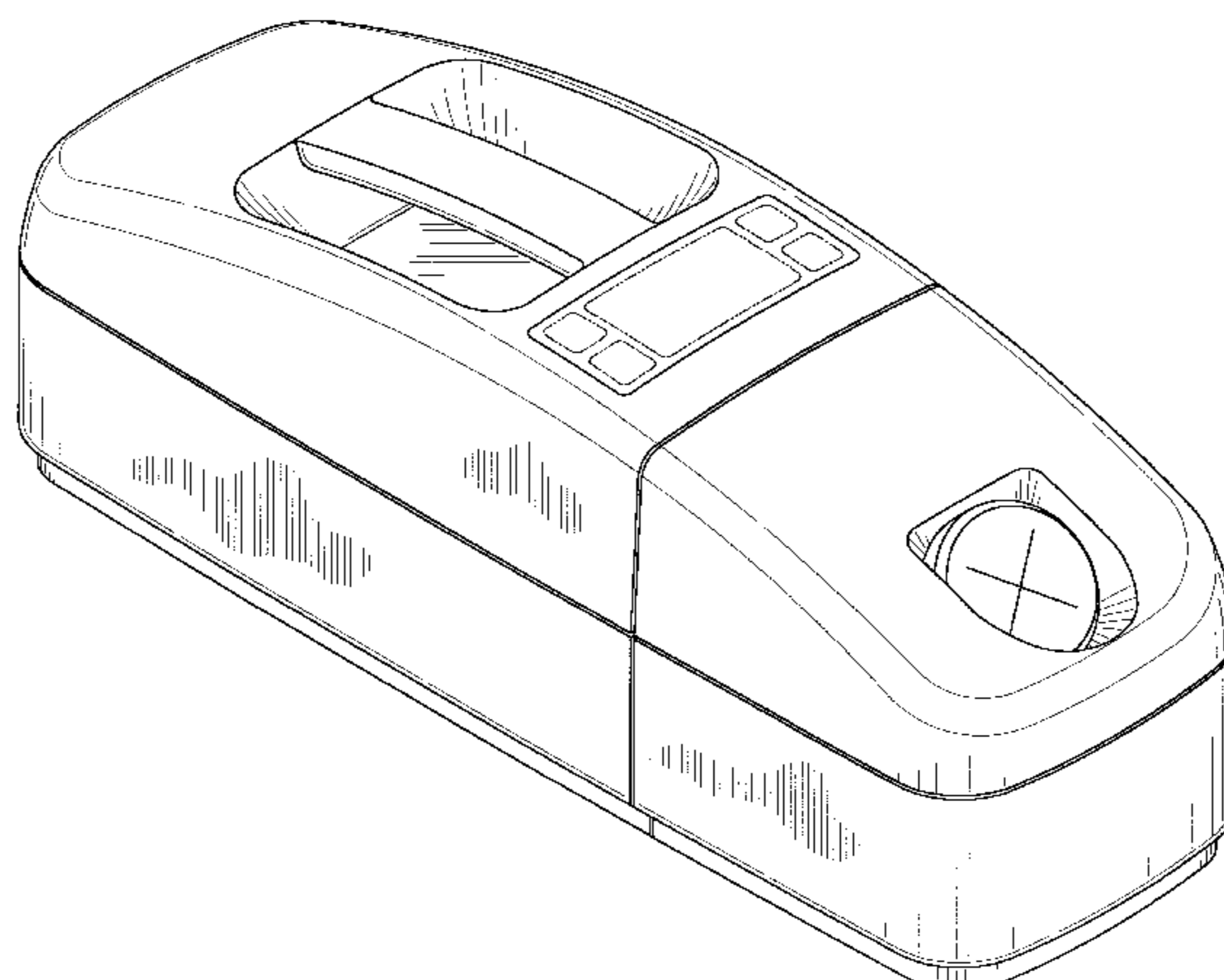
FIG. 12 is a bottom view of the alternative design depicted in FIG. 7.

FIG. 13 is a perspective view of a still further alternative apparatus for the electrical destruction of medical instruments showing a further variation of our new design, the side elevations, the rear elevation, the frontal elevation and the bottom view are, respectively, identical to the side elevation of FIGS. 3 and 9, identical to the rear elevation of FIGS. 4 and 10, identical to the frontal elevation of FIG. 5 and the bottom may be identical to either FIG. 6 or FIG. 12; and,

FIG. 14 is a perspective view of an even further alternative apparatus for the electrical destruction of medical instruments showing a still further variation of our new design, the side elevations, the rear elevation, the frontal elevation and the bottom view are, respectively, identical to the side elevation of FIGS. 3 and 9, identical to the rear elevation of FIGS. 4 and 10, identical to the frontal elevation of FIG. 11 and the bottom may be identical to either FIG. 6 or FIG. 12.

The broken line showing the digital readout components in FIGS. 1, 2, 7 and 8 is for illustrative purposes only and forms not part of the claimed design.

1 Claim, 8 Drawing Sheets



Des. 409,306

Page 2

U.S. PATENT DOCUMENTS			
4,628,169	12/1986	Ch'ing-Lung	219/68
4,807,344	2/1989	Kelson et al.	206/366
5,138,124	8/1992	Kirk et al.	219/68
5,268,549	12/1993	Butler	219/68
5,300,752	4/1994	Elmerick et al.	219/68
5,637,238	6/1997	Truesdale et al.	219/68

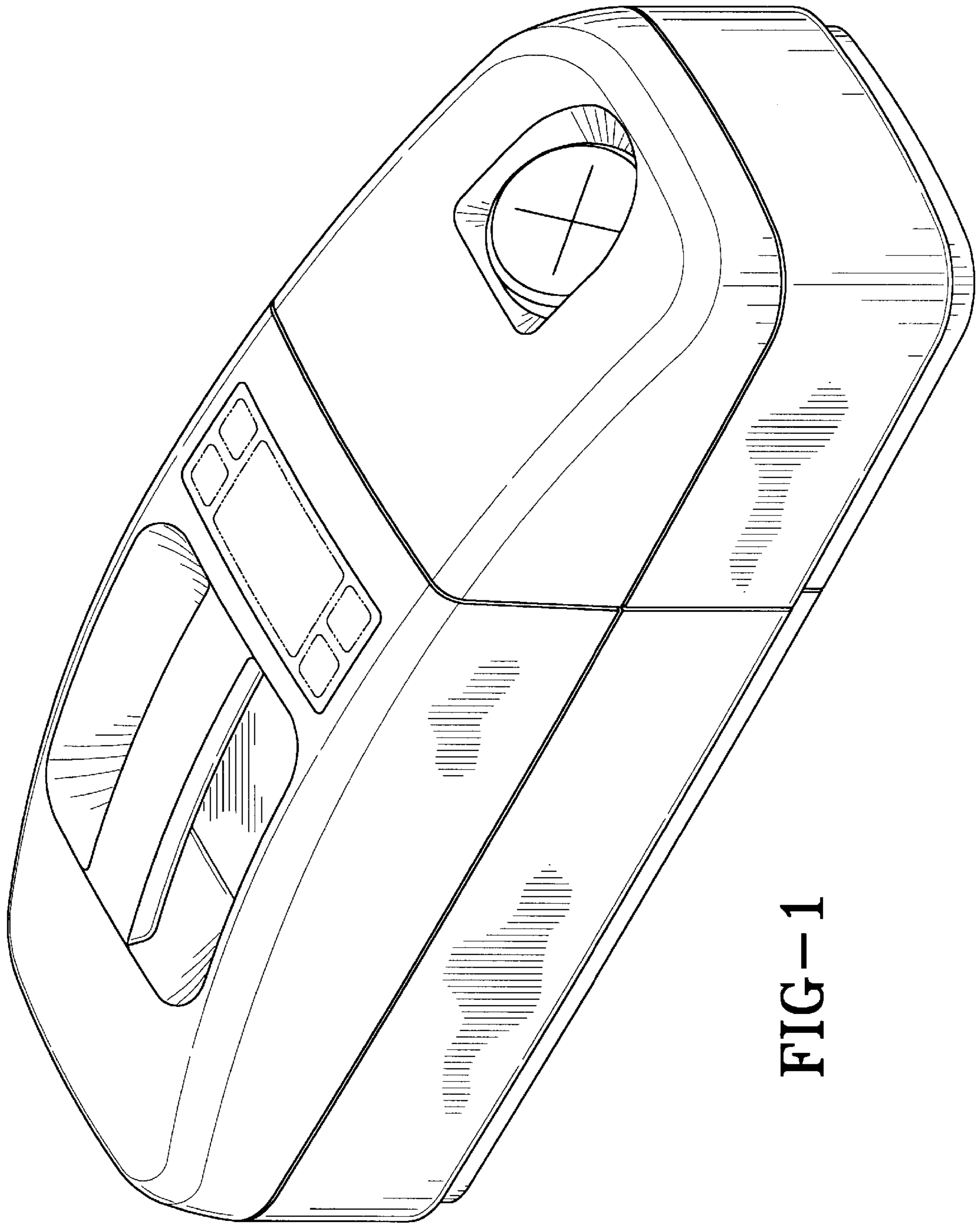


FIG-1

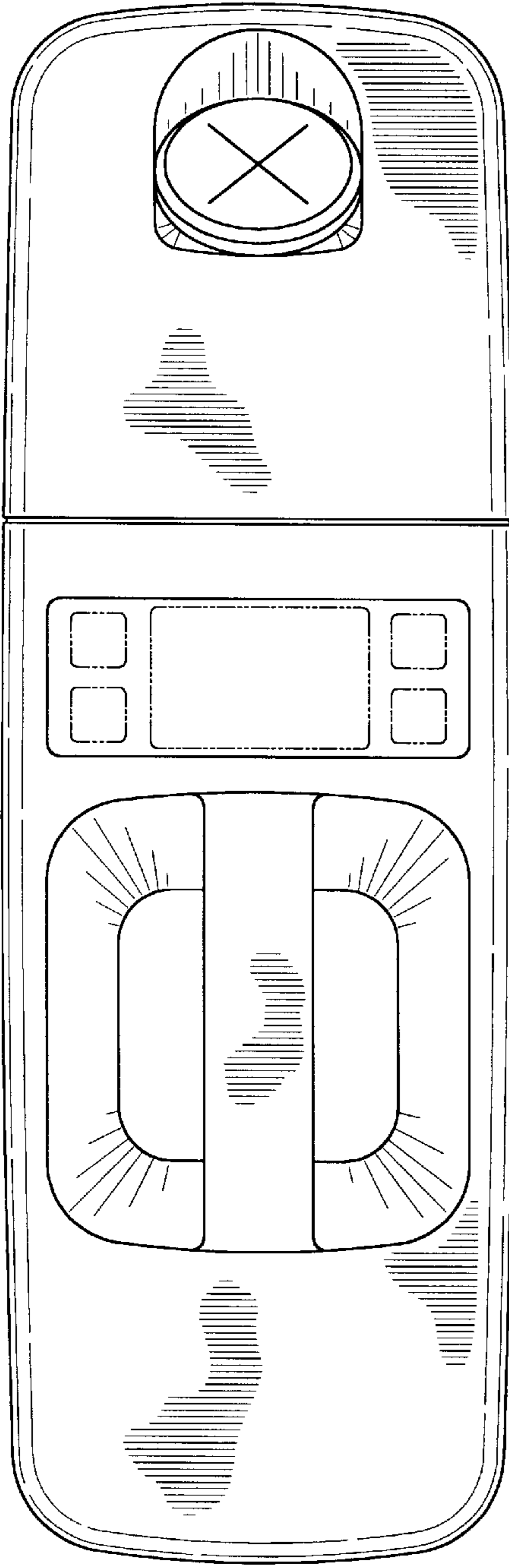


FIG-2

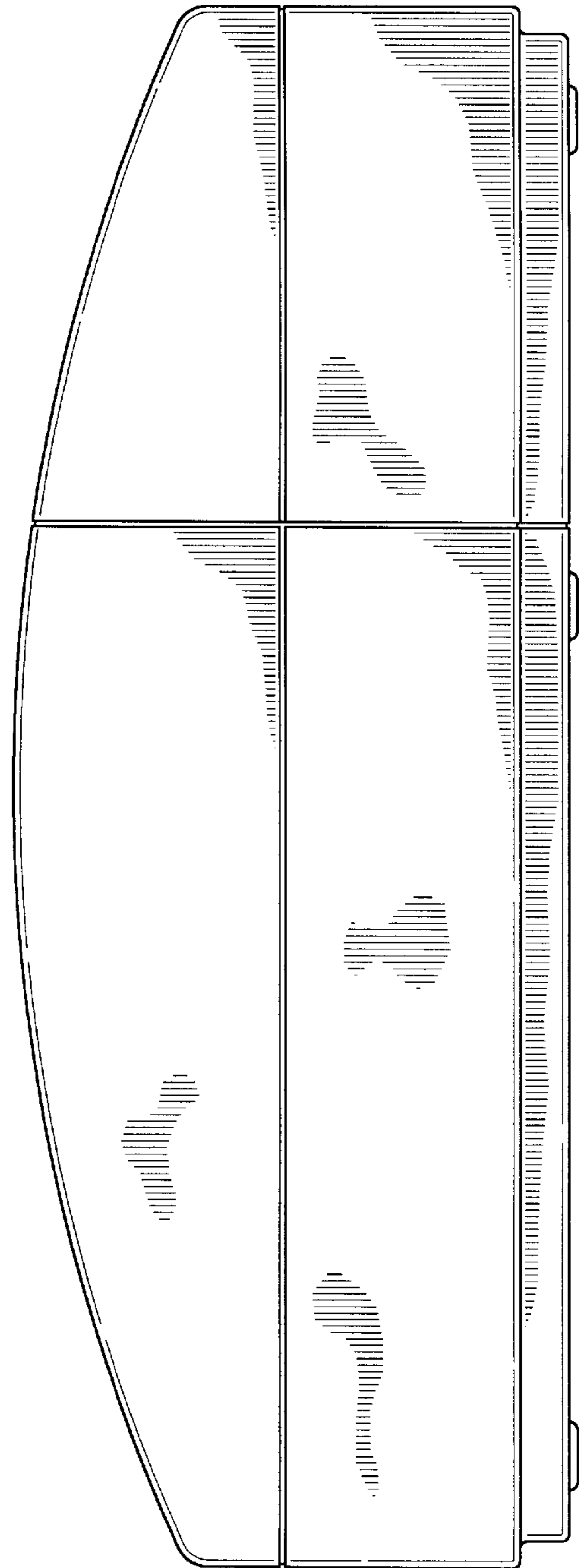


FIG-3

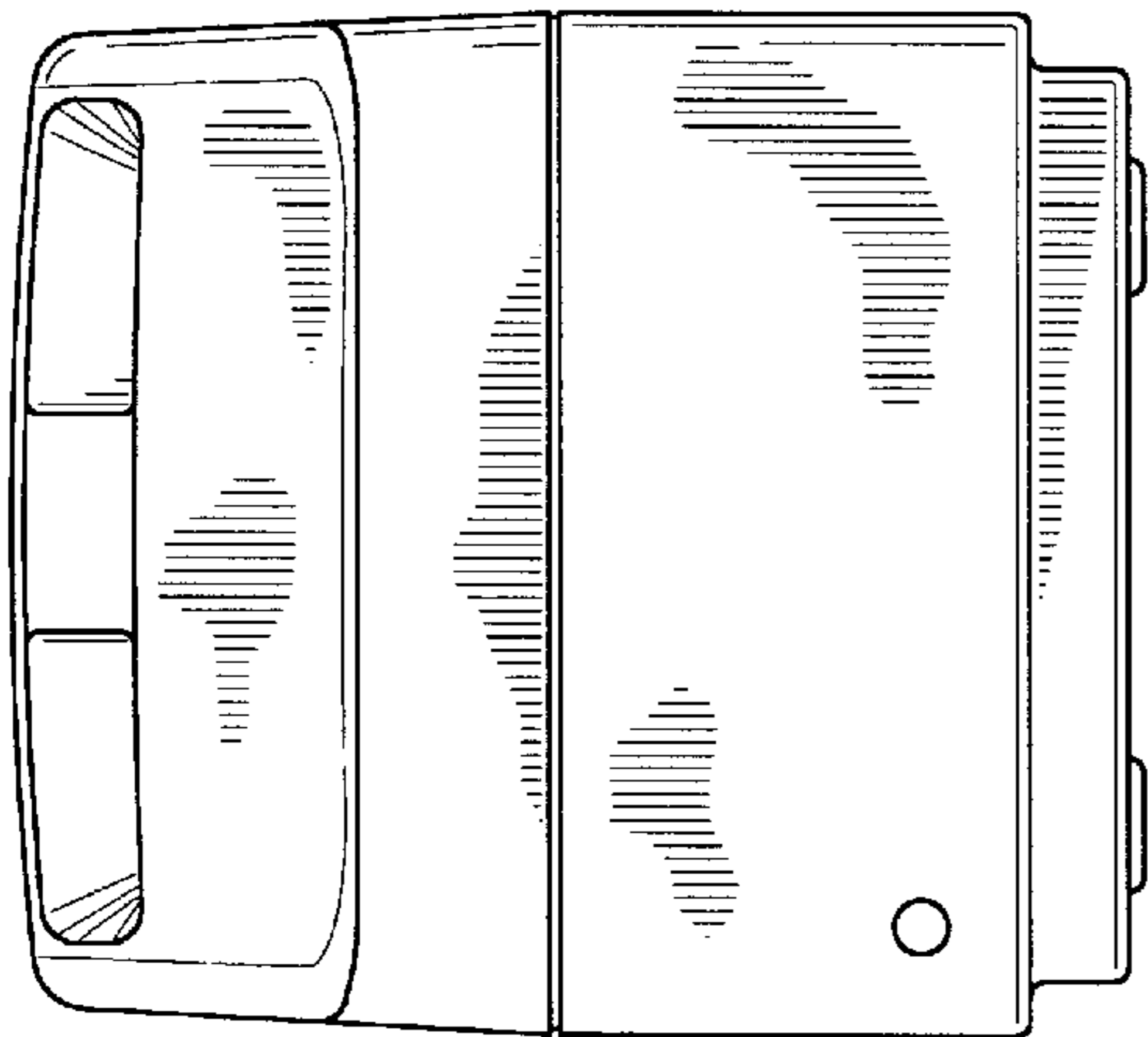


FIG-4

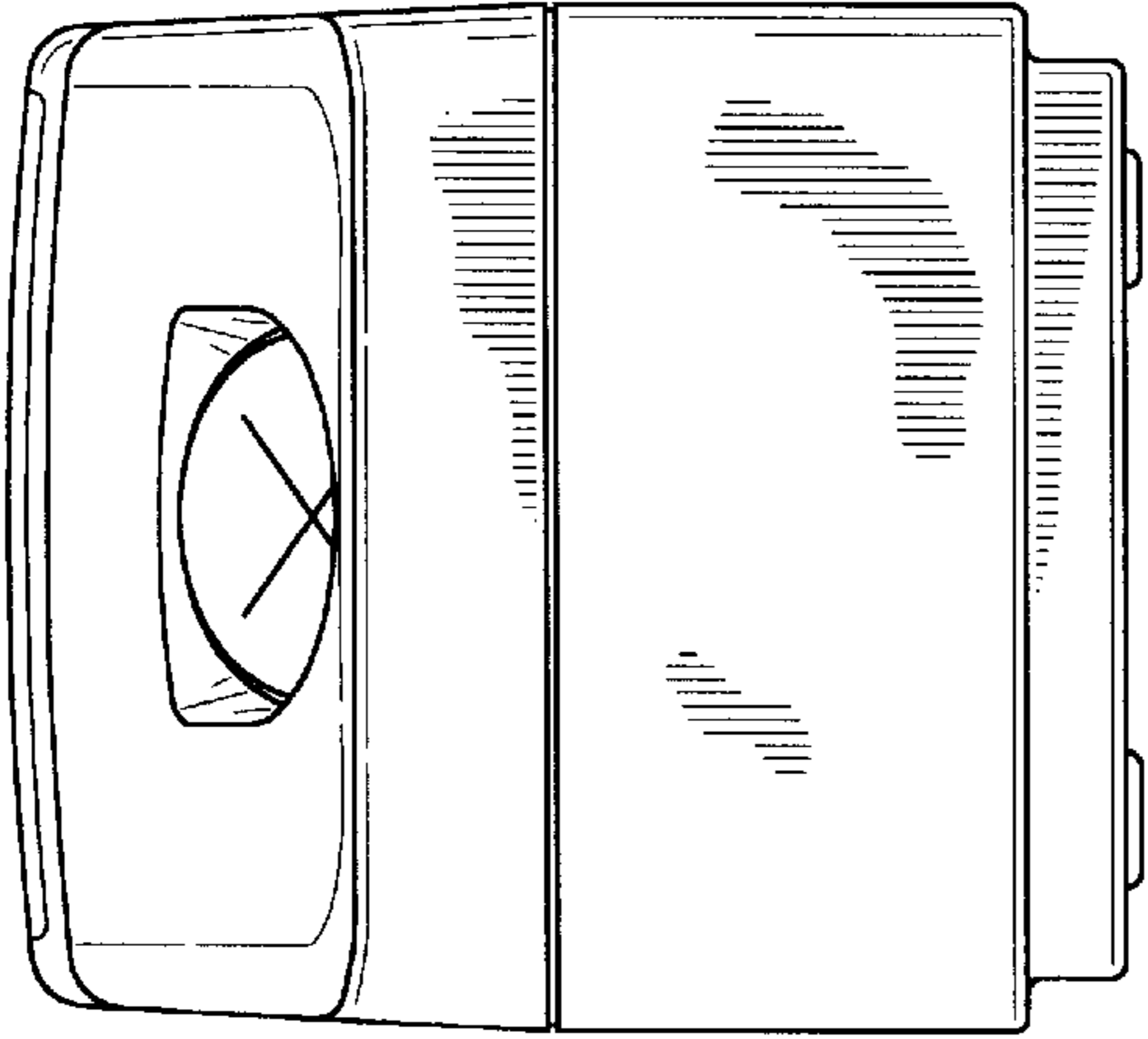


FIG-5

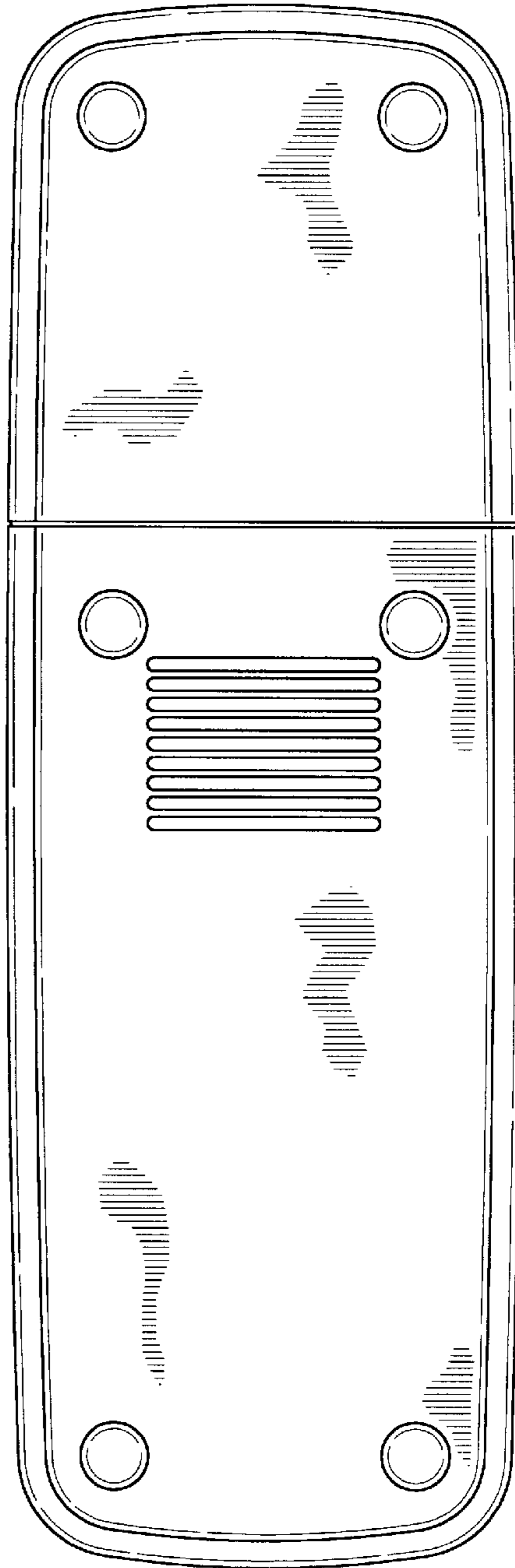


FIG-6

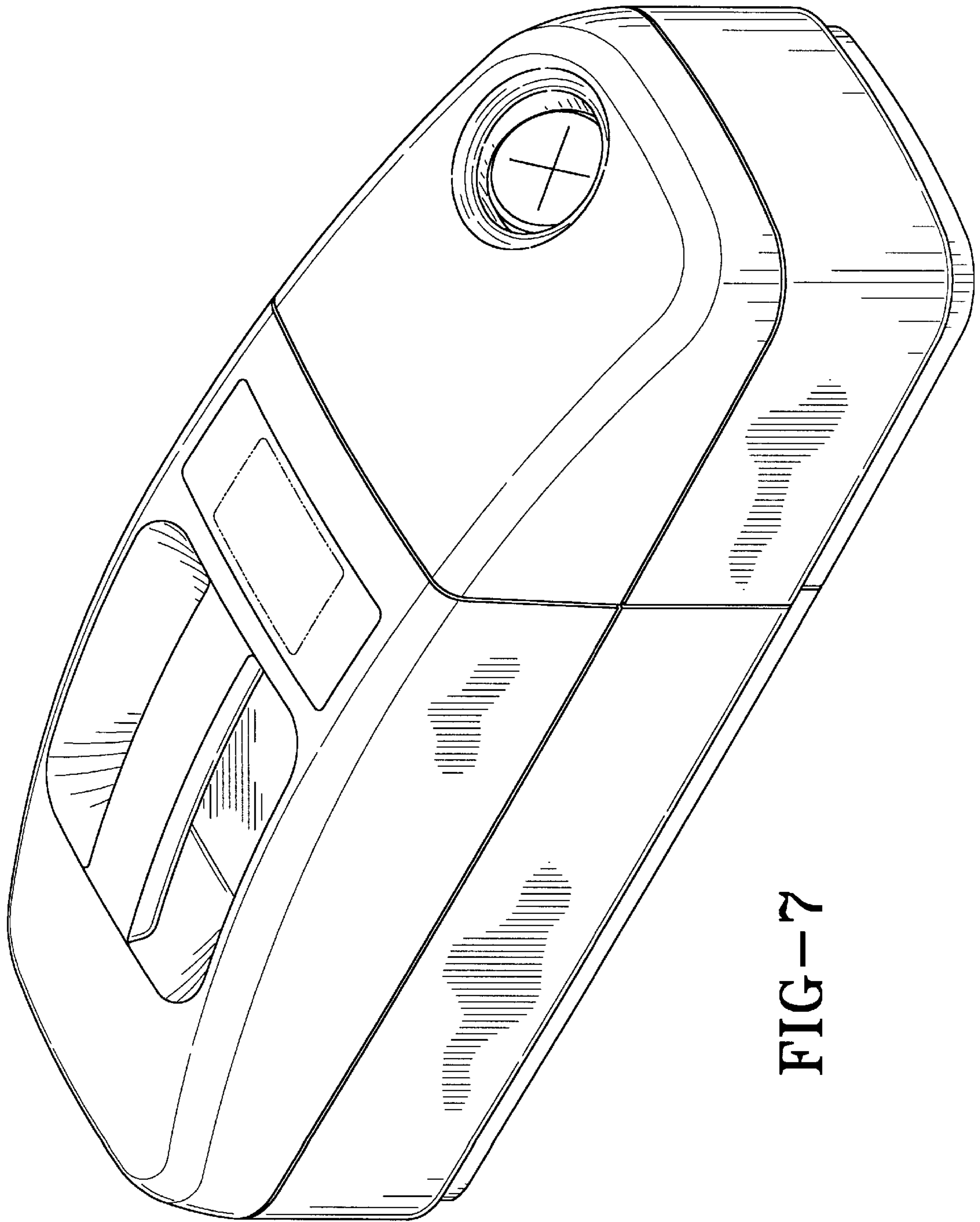


FIG-7

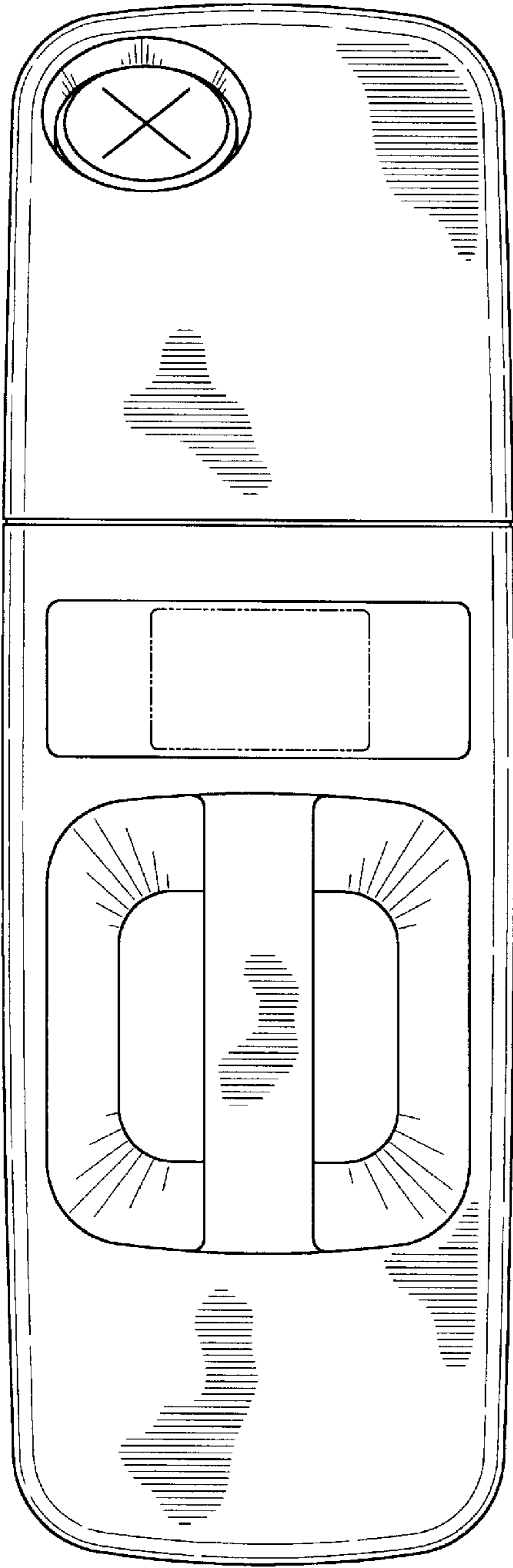


FIG-8

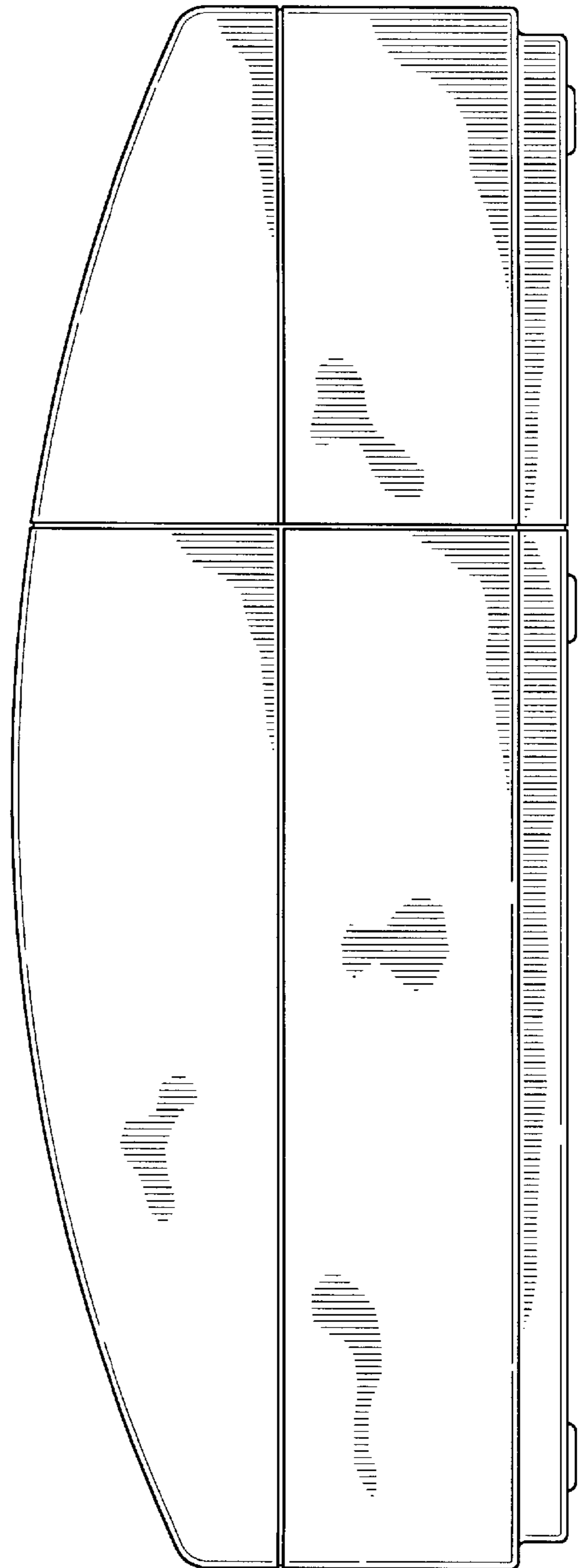


FIG-9

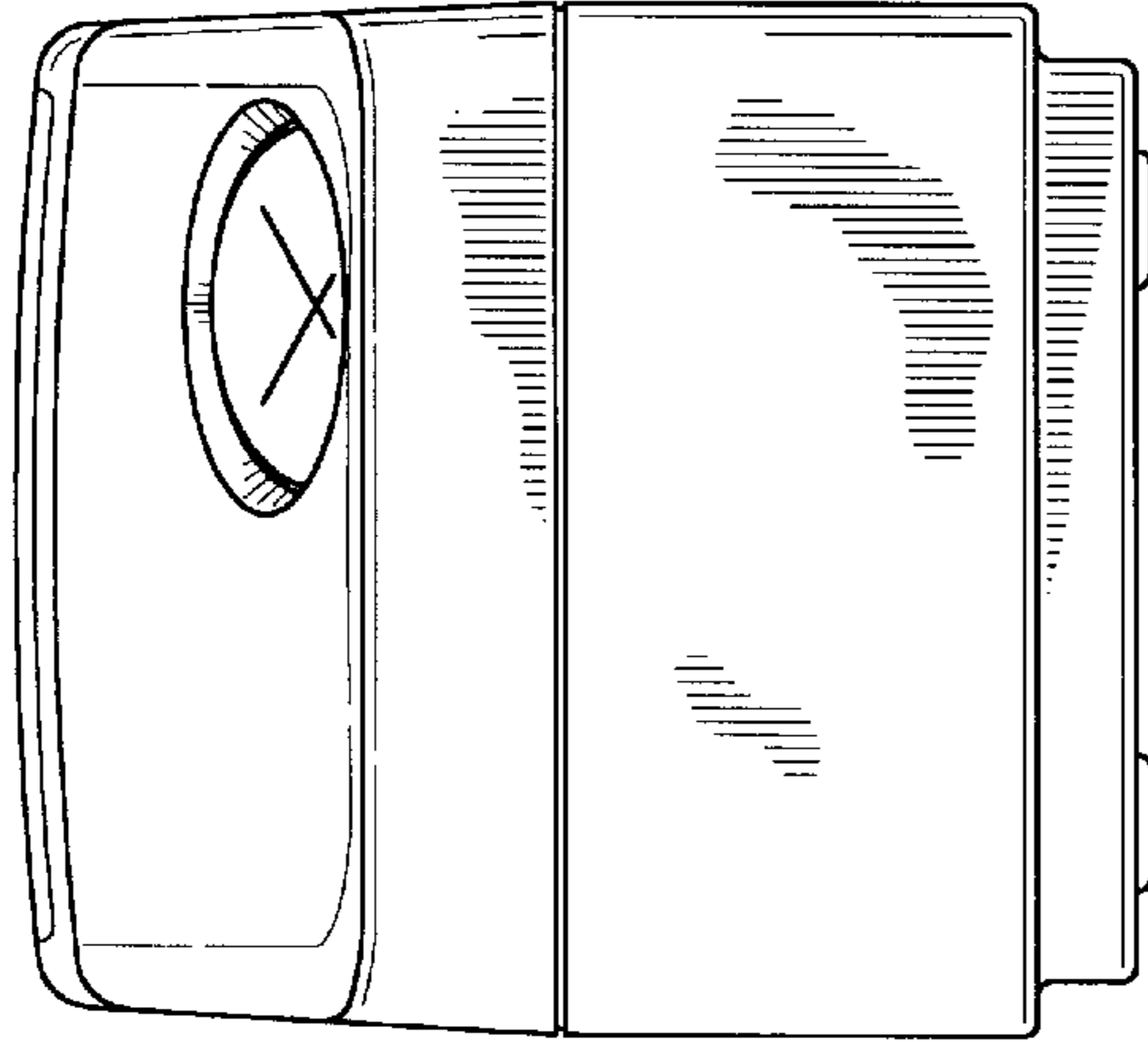


FIG-11

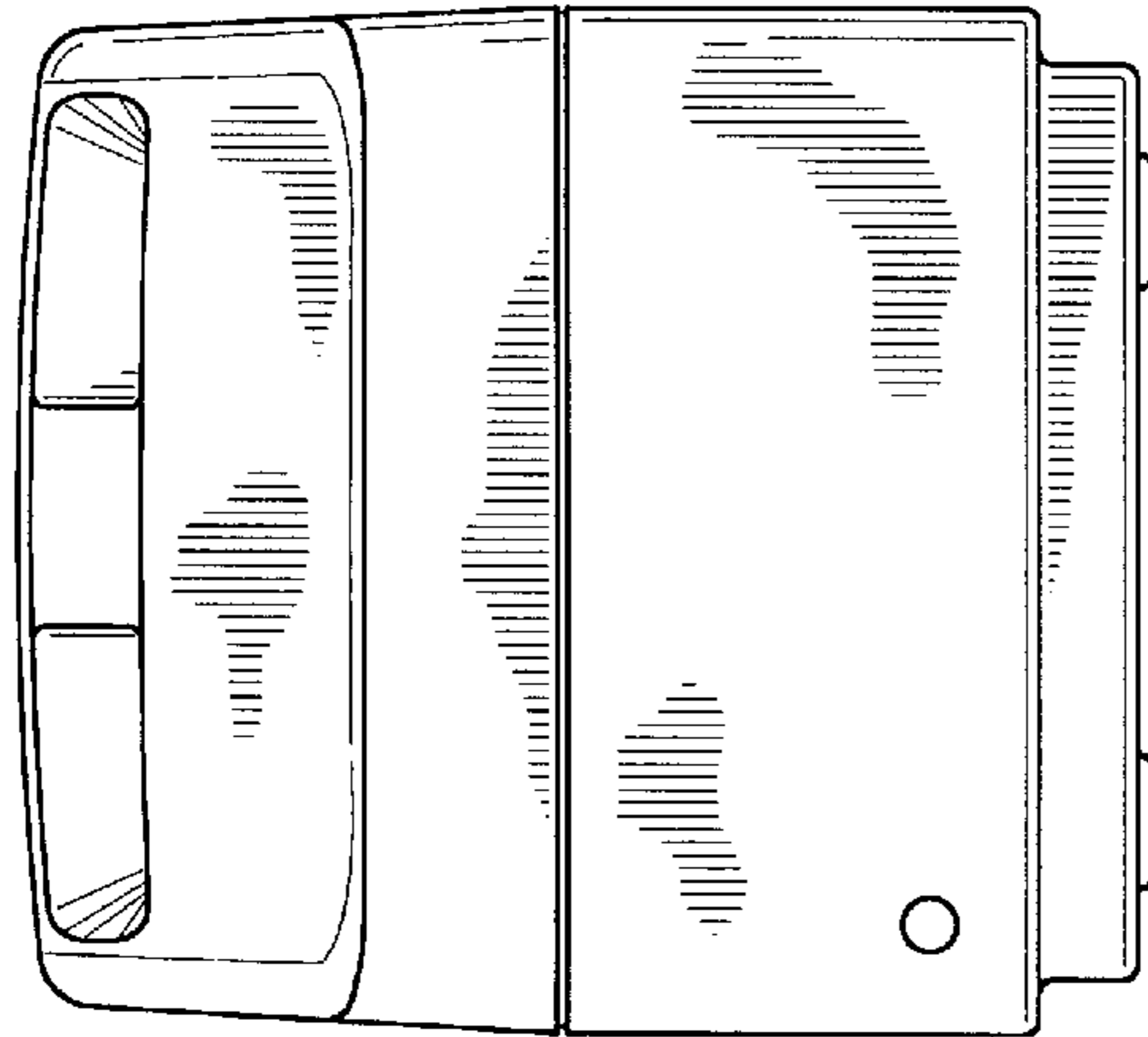


FIG-10

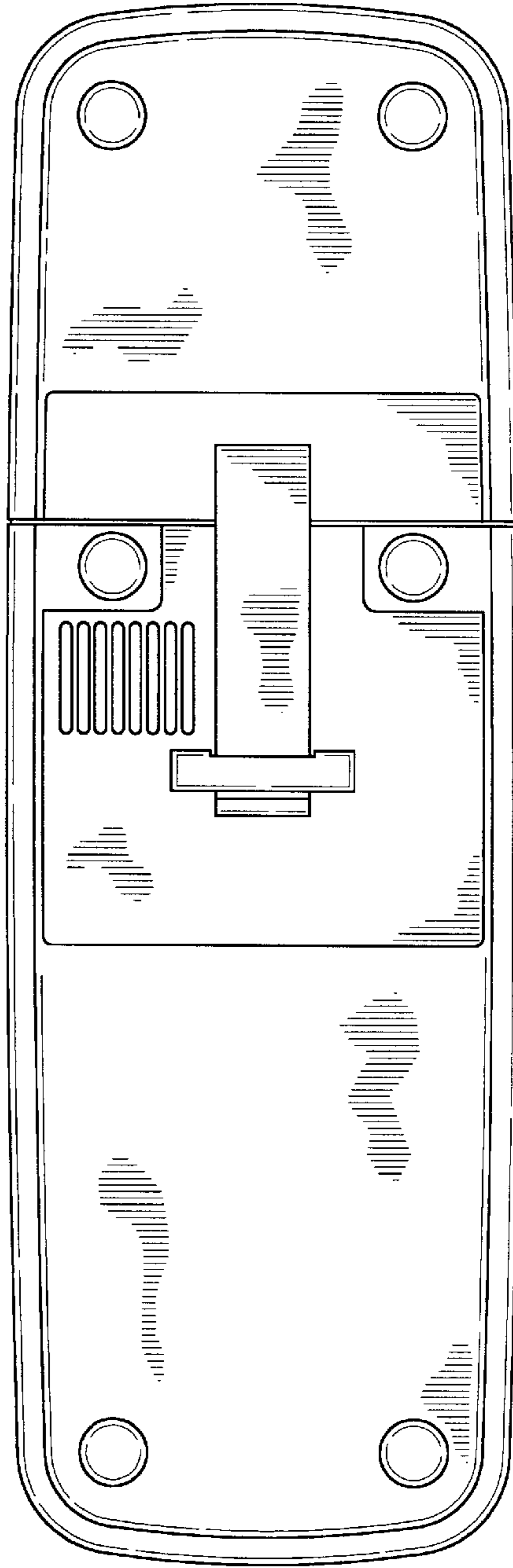


FIG-12

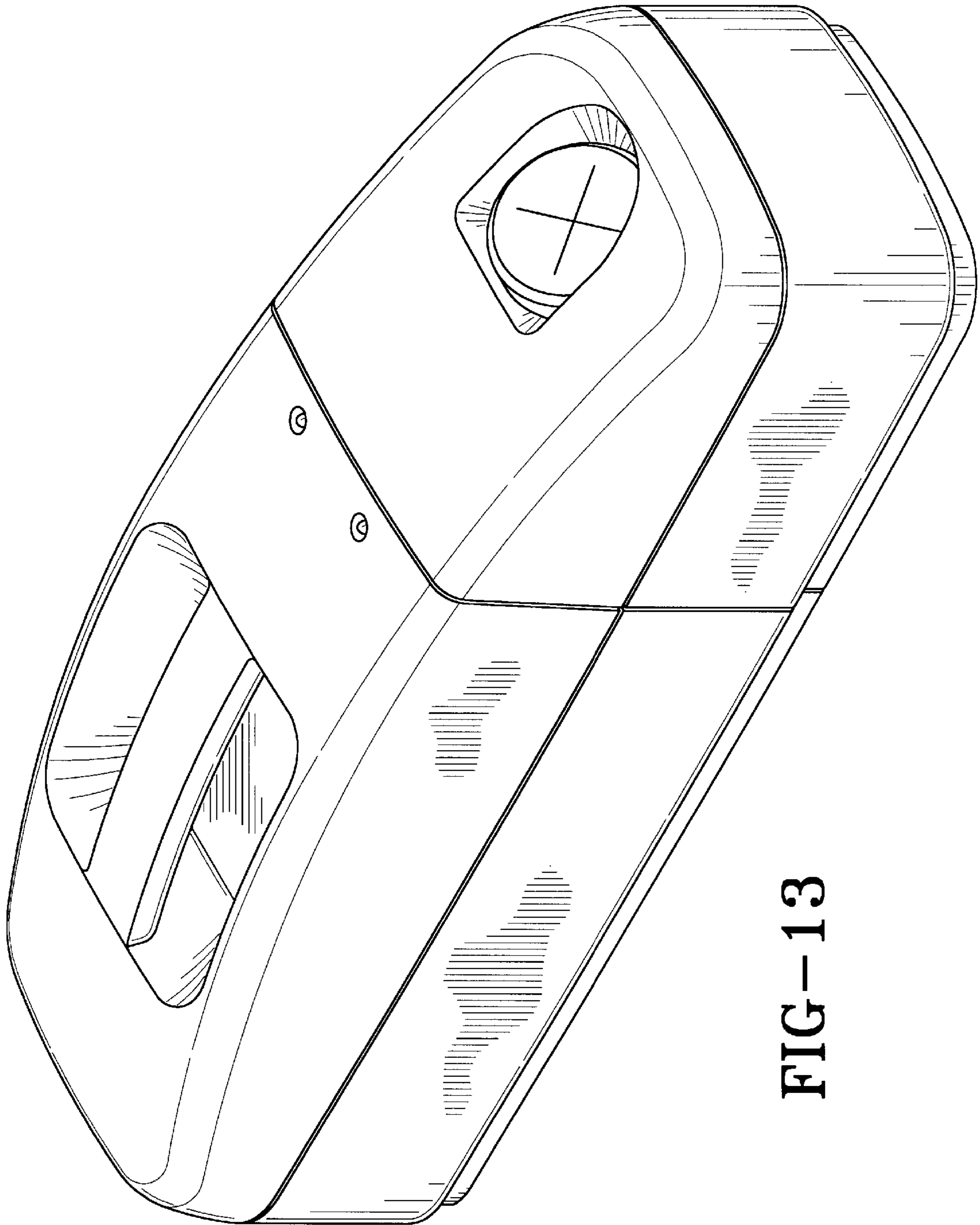


FIG-13

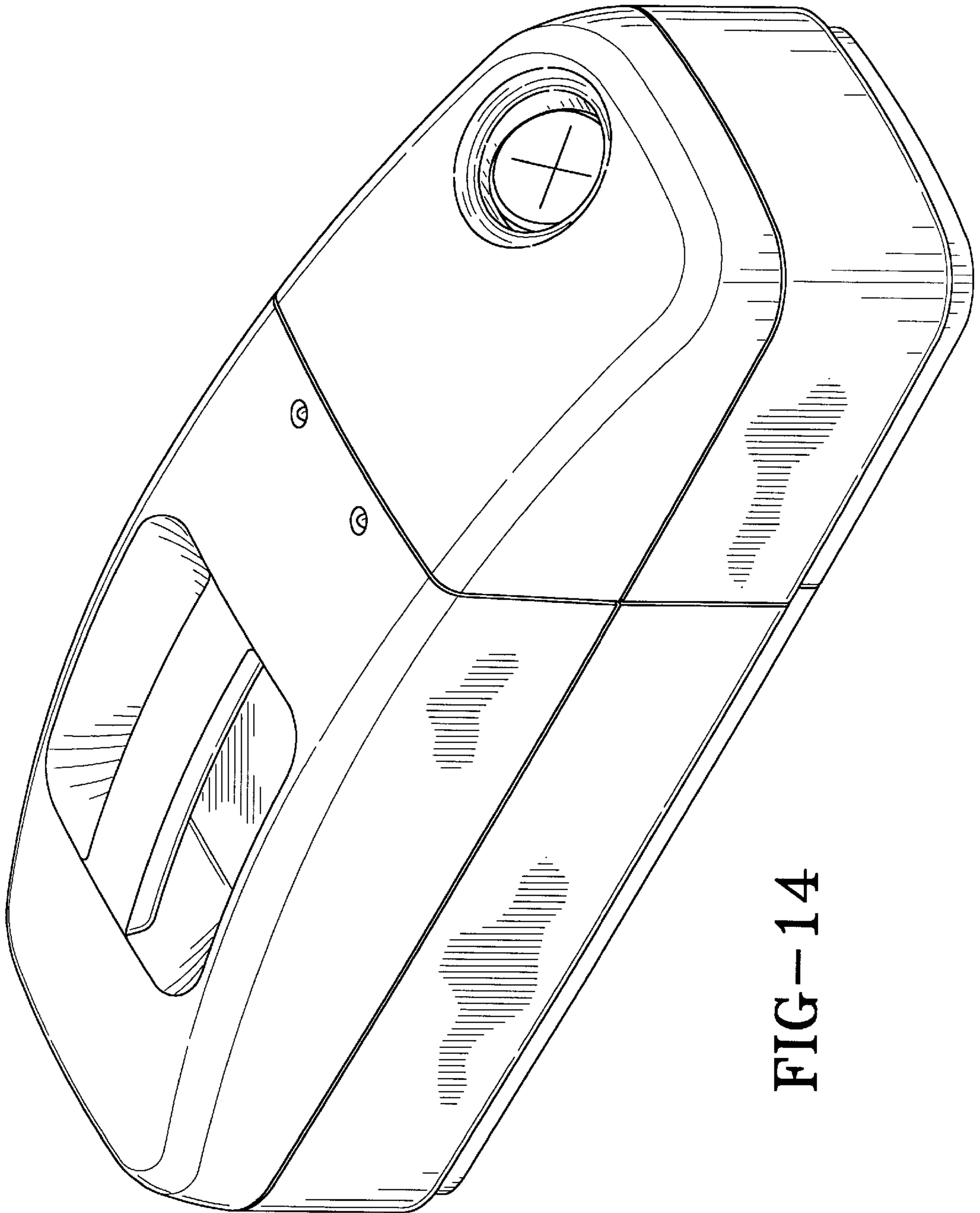


FIG--14