



US00D409304S

United States Patent [19] King

[11] Patent Number: **Des. 409,304**

[45] Date of Patent: **** May 4, 1999**

[54] **FOUR BARREL POWER VACCINATOR**

[75] Inventor: **Bruce Allen King**, Sioux Center, Iowa

[73] Assignee: **Boehringer Ingelheim Vetmedica, Inc.**, St. Joseph, Mo.

[**] Term: **14 Years**

[21] Appl. No.: **29/089,190**

[22] Filed: **Jun. 9, 1998**

[51] **LOC (6) Cl.** **24-02**

[52] **U.S. Cl.** **D24/112; D24/114**

[58] **Field of Search** D24/146, 112,
D24/117, 114, 113; 604/191, 68, 70, 71,
72, 69

[56] **References Cited**

U.S. PATENT DOCUMENTS

D. 368,773	4/1996	Atkinson et al.	D24/112
D. 380,544	7/1997	Atkinson et al.	D24/112
D. 380,827	7/1997	Stringer et al.	D24/112
3,467,096	9/1969	Horn .	

4,067,334	1/1978	Haller .	
4,301,795	11/1981	Zimmerman .	
4,642,095	2/1987	Dettbarn et al.	604/72
4,680,027	7/1987	Parsons et al.	604/68

Primary Examiner—Susan J. Lucas
Assistant Examiner—Cynthia E Ramirez
Attorney, Agent, or Firm—R. P. Raymond; M-E. M. Devlin;
A. R. Stempel

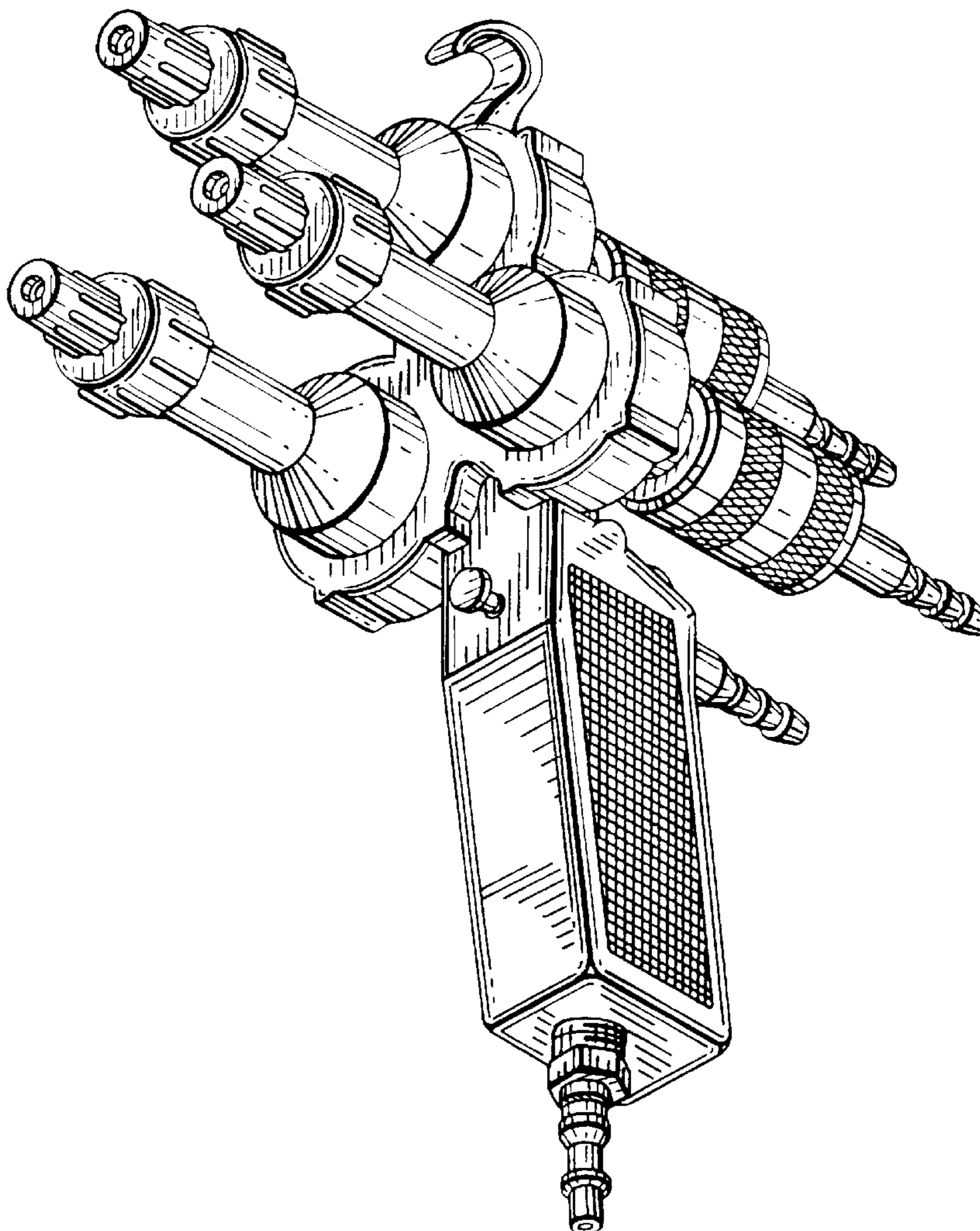
[57] **CLAIM**

The ornamental design for the four barrel power vaccinator, as shown and described.

DESCRIPTION

FIG. 1 is a front perspective view of the four barrel power vaccinator according to my design;
FIG. 2 is a right side view of my design which is a mirror image of the left side view;
FIG. 3 is a front view of my design;
FIG. 4 is a top view of my design;
FIG. 5 is a bottom view of my design; and,
FIG. 6 is a back view of my design.

1 Claim, 5 Drawing Sheets



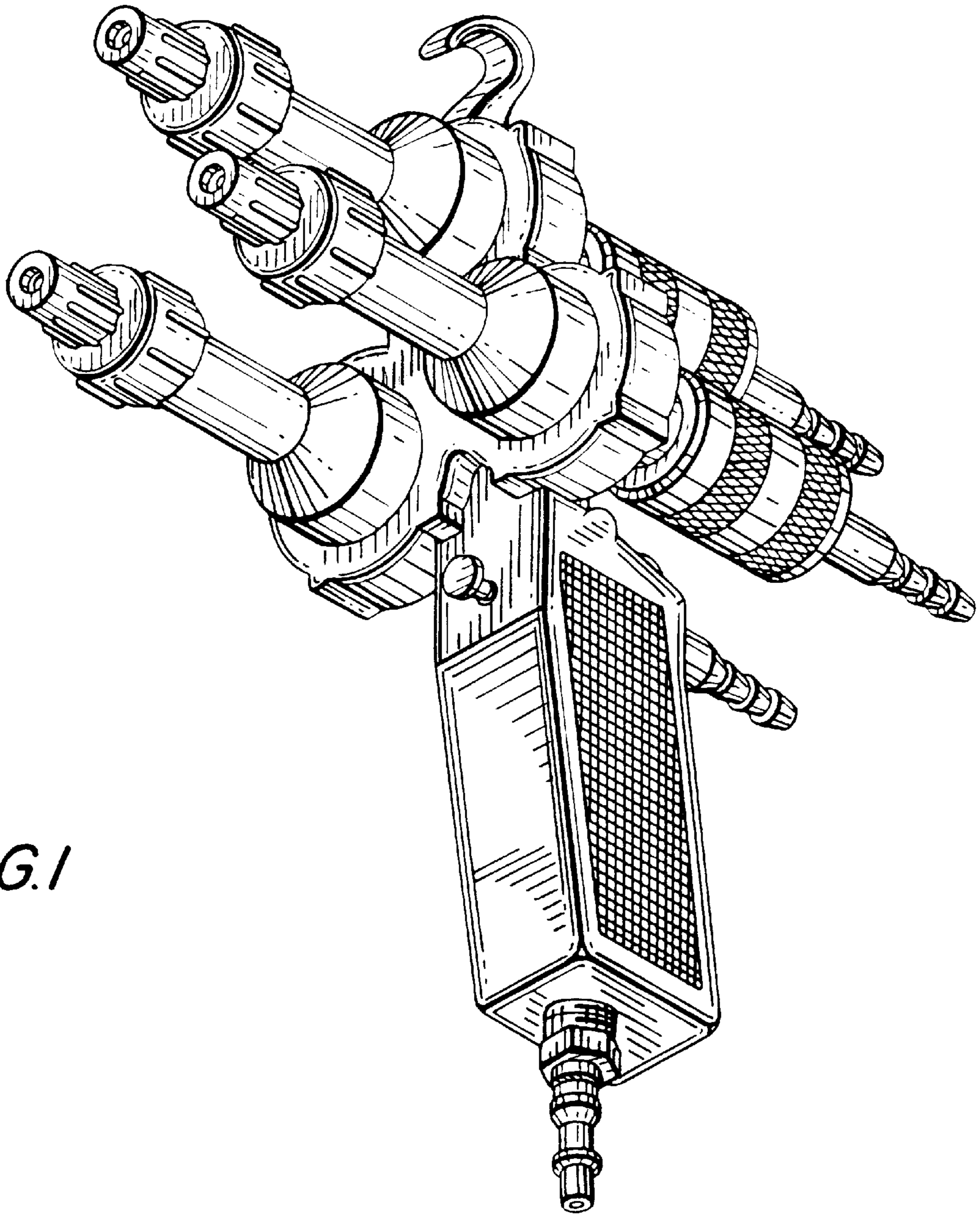


FIG. 1

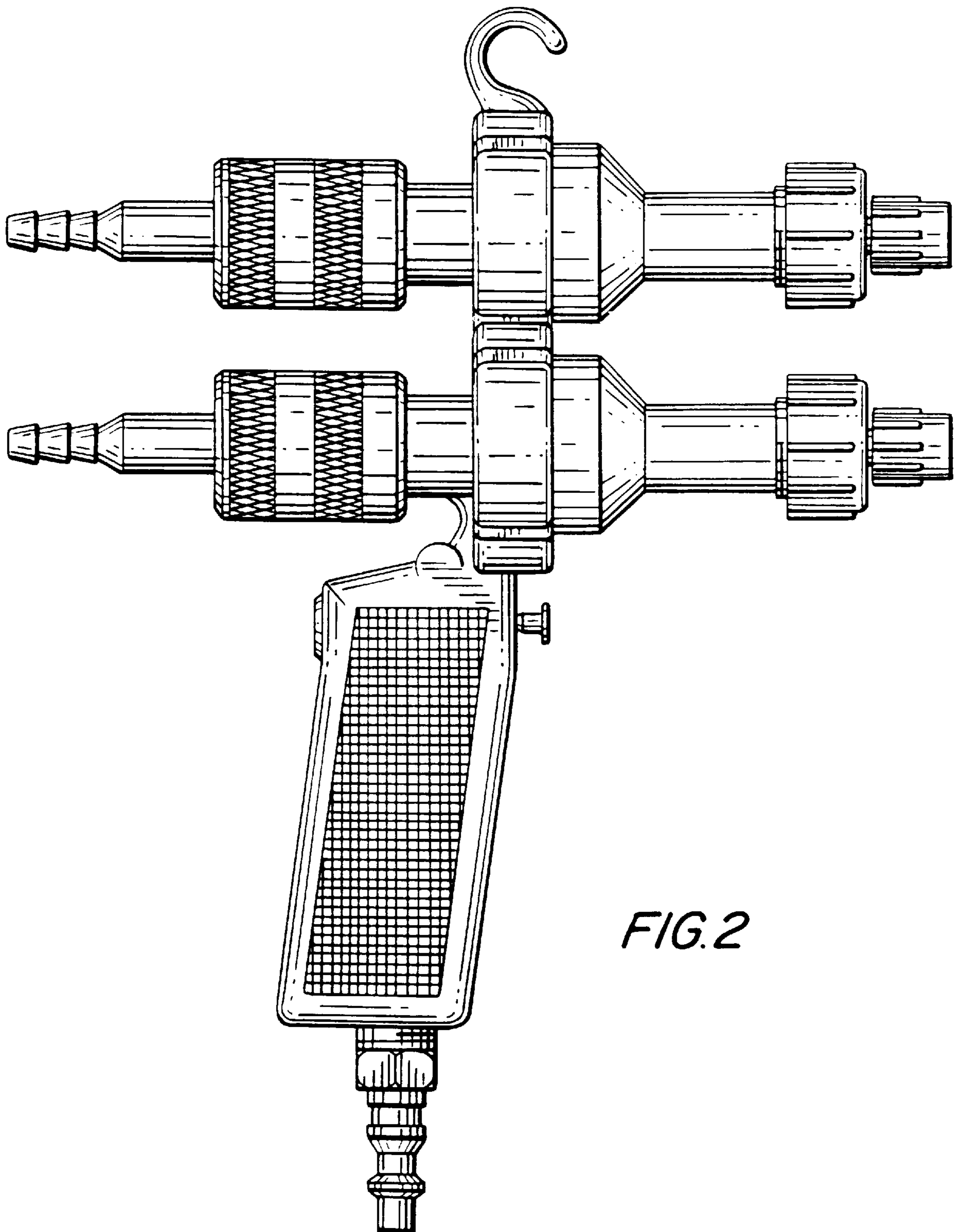


FIG. 2

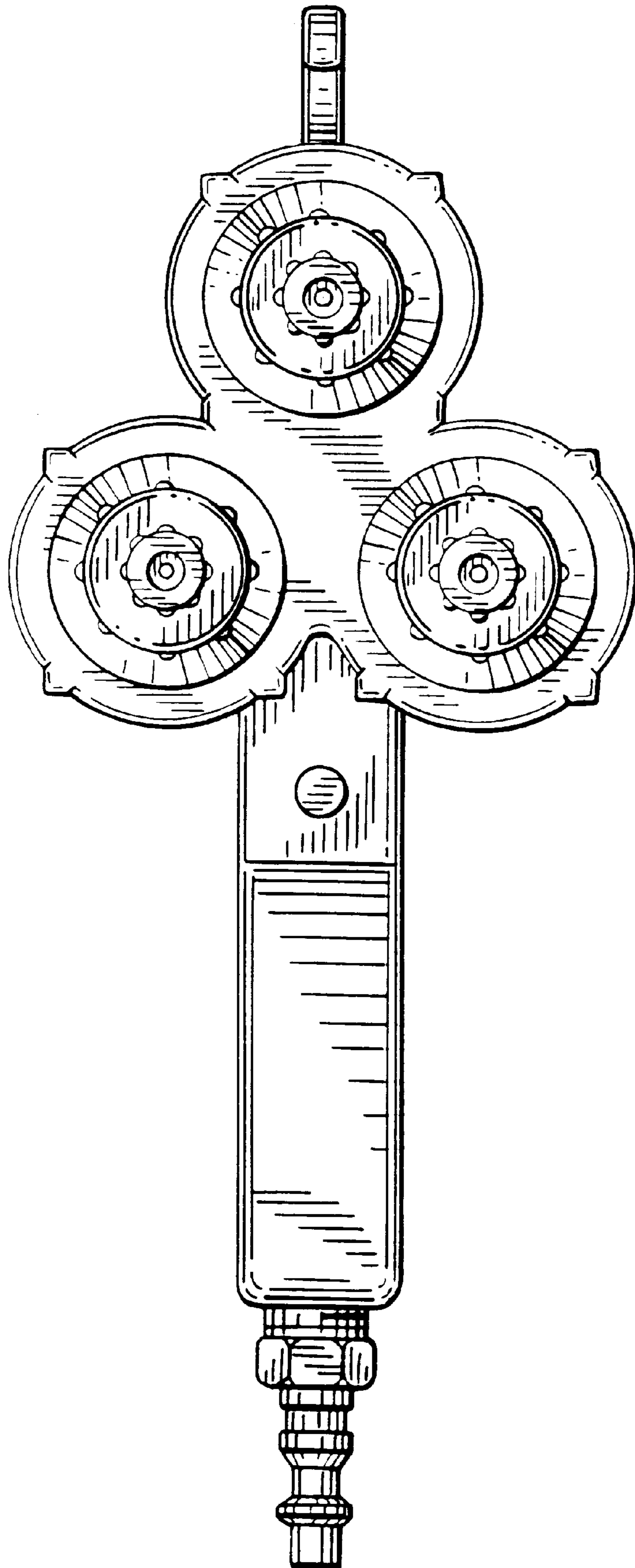


FIG. 3

FIG. 4

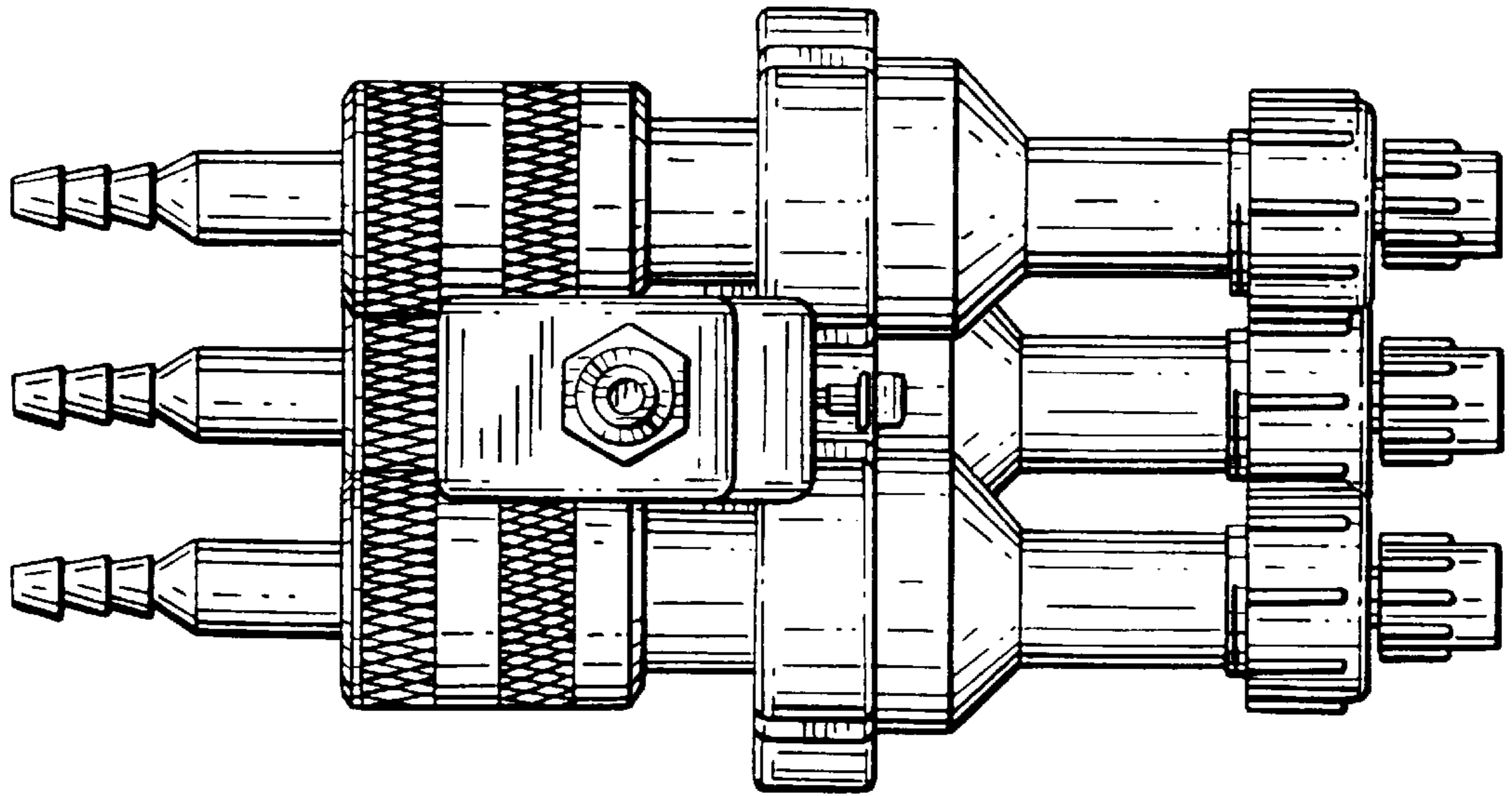
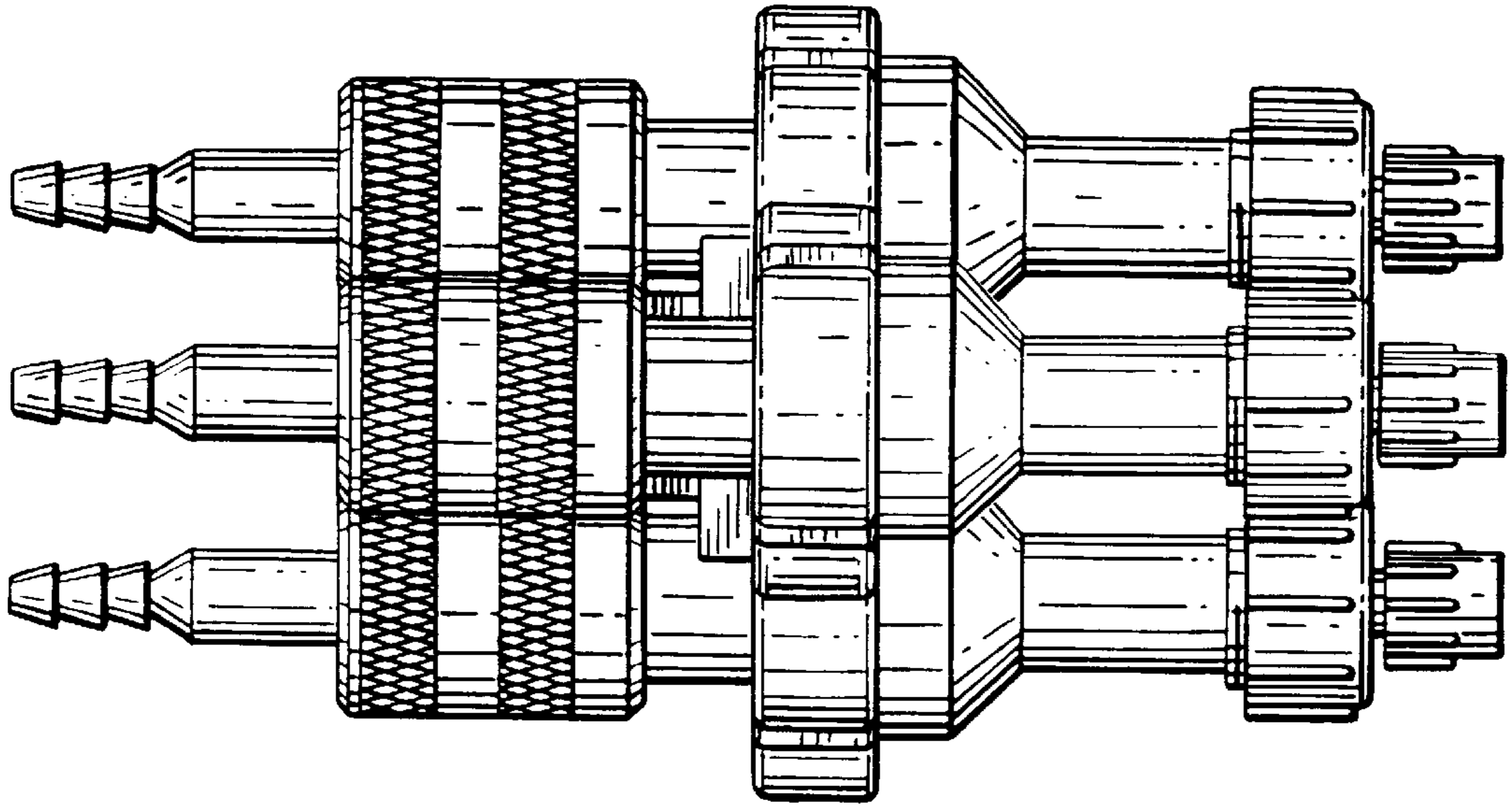


FIG. 5

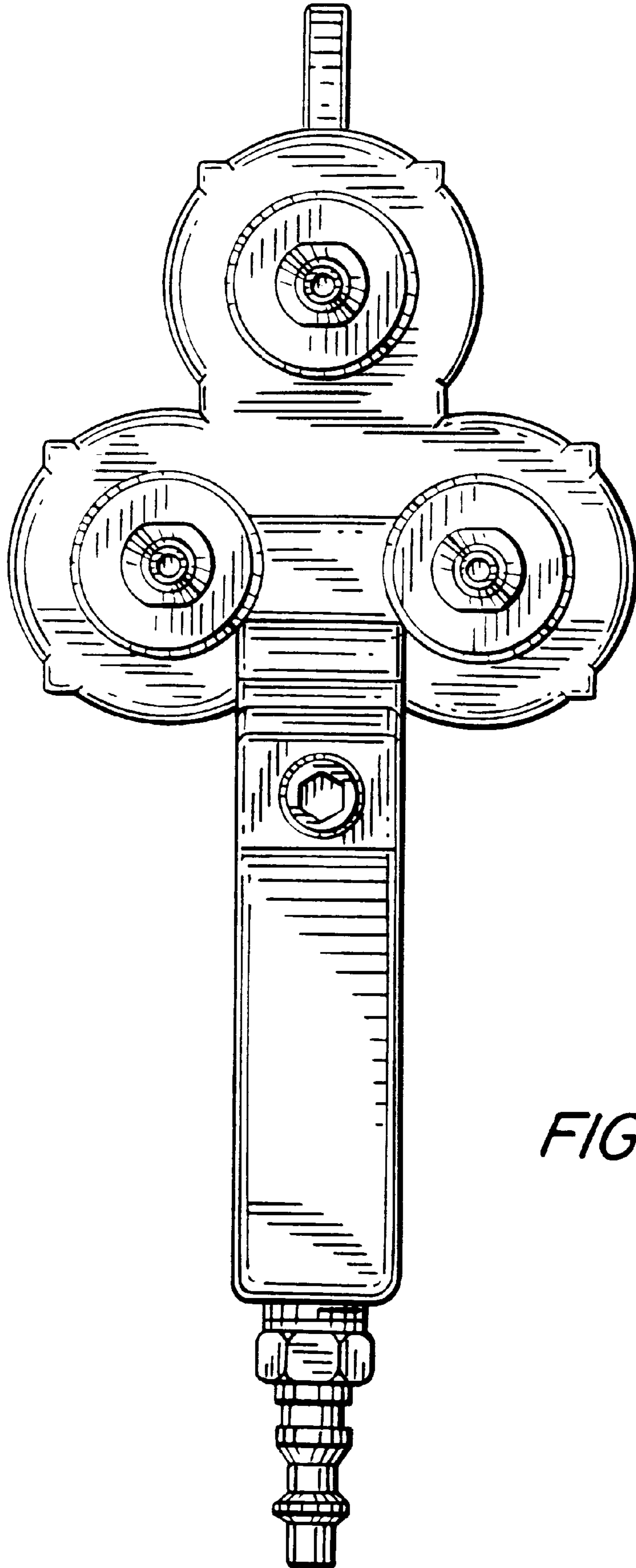


FIG. 6