



US00D409292S

United States Patent [19]

Hyde et al.

[11] Patent Number: Des. 409,292

[45] Date of Patent: ** May 4, 1999

[54] FAUCET SPOUT

D. 377,517 1/1997 Doughty et al. D23/255

[75] Inventors: **John Hyde**, Flemington; **Wilfried A. Delker**, Bridgewater, both of N.J.

Primary Examiner—Louis S. Zarfes
Assistant Examiner—Eric Watterson

[73] Assignee: **American Standard Inc.**, Piscataway, N.J.

[57] **CLAIM**

[**] Term: **14 Years**

The ornamental design for a faucet spout, as shown and described.

[21] Appl. No.: **29/086,553**

DESCRIPTION

[22] Filed: **Apr. 15, 1998**

FIG. 1 is a front and left side perspective view of a faucet spout showing our new design;
FIG. 2 is a front elevational view thereof;
FIG. 3 is a rear elevational view thereof;
FIG. 4 is a top plan view thereof;
FIG. 5 is a bottom plan view thereof;
FIG. 6 is a right side elevational view thereof;
FIG. 7 is a right side elevational view of an alternative embodiment of our new design; and,
FIG. 8 is a right side elevational view of another alternative embodiment of our new design.

[51] **LOC (6) Cl.** **23-01**

[52] **U.S. Cl.** **D23/255**

[58] **Field of Search** D23/238–243,
D23/250–257; 4/675–678; 137/801

The broken line showing is for illustrative purposes only and forms no part of the claimed design.

[56] **References Cited**

U.S. PATENT DOCUMENTS

- D. 295,551 5/1988 Yost D23/255
- D. 318,906 8/1991 Spangler D23/255
- D. 350,390 9/1994 Bollenbacher D23/255
- D. 352,095 11/1994 Bollenbacher D23/255
- D. 373,617 9/1996 Doughty et al. .

1 Claim, 7 Drawing Sheets

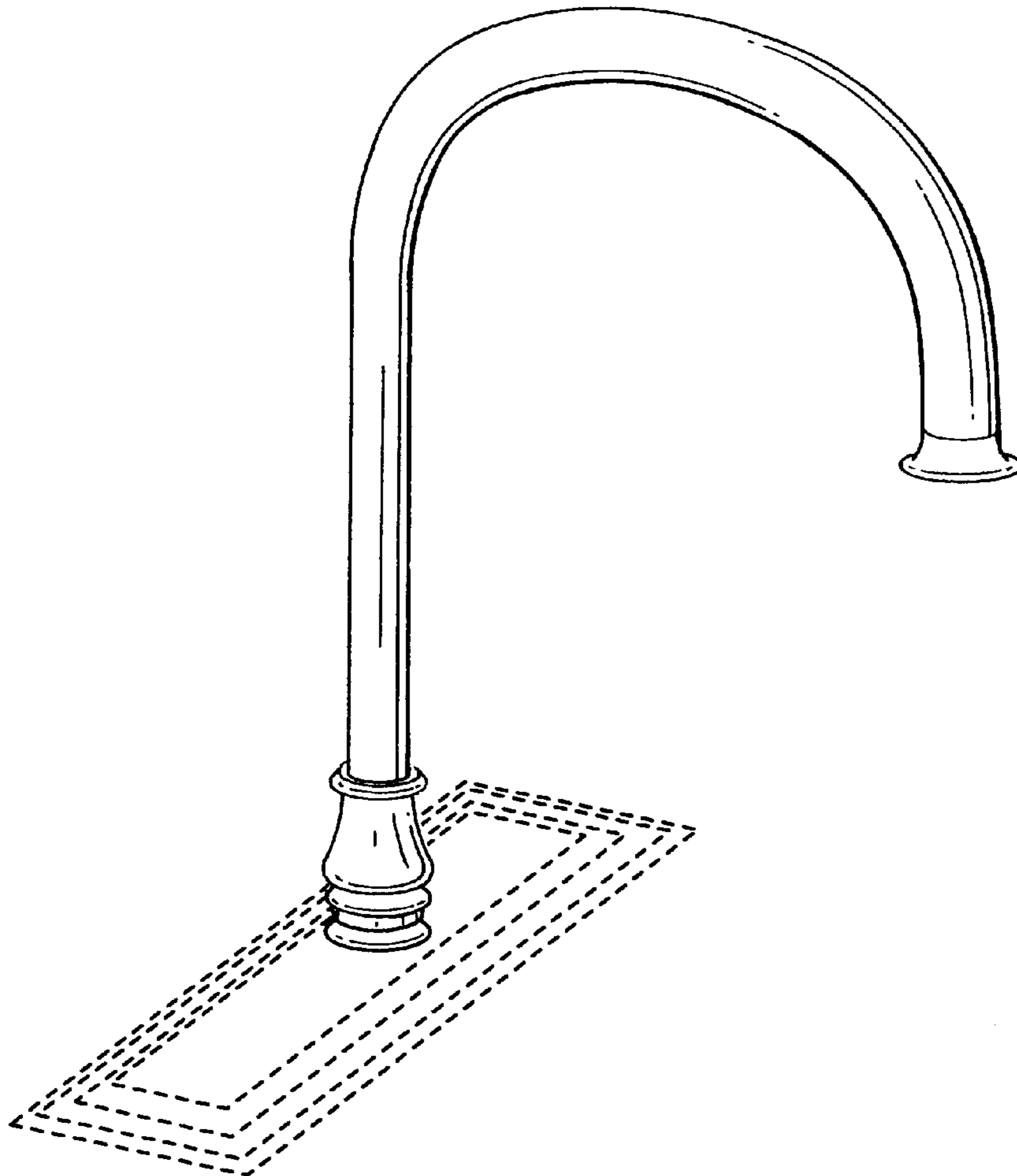
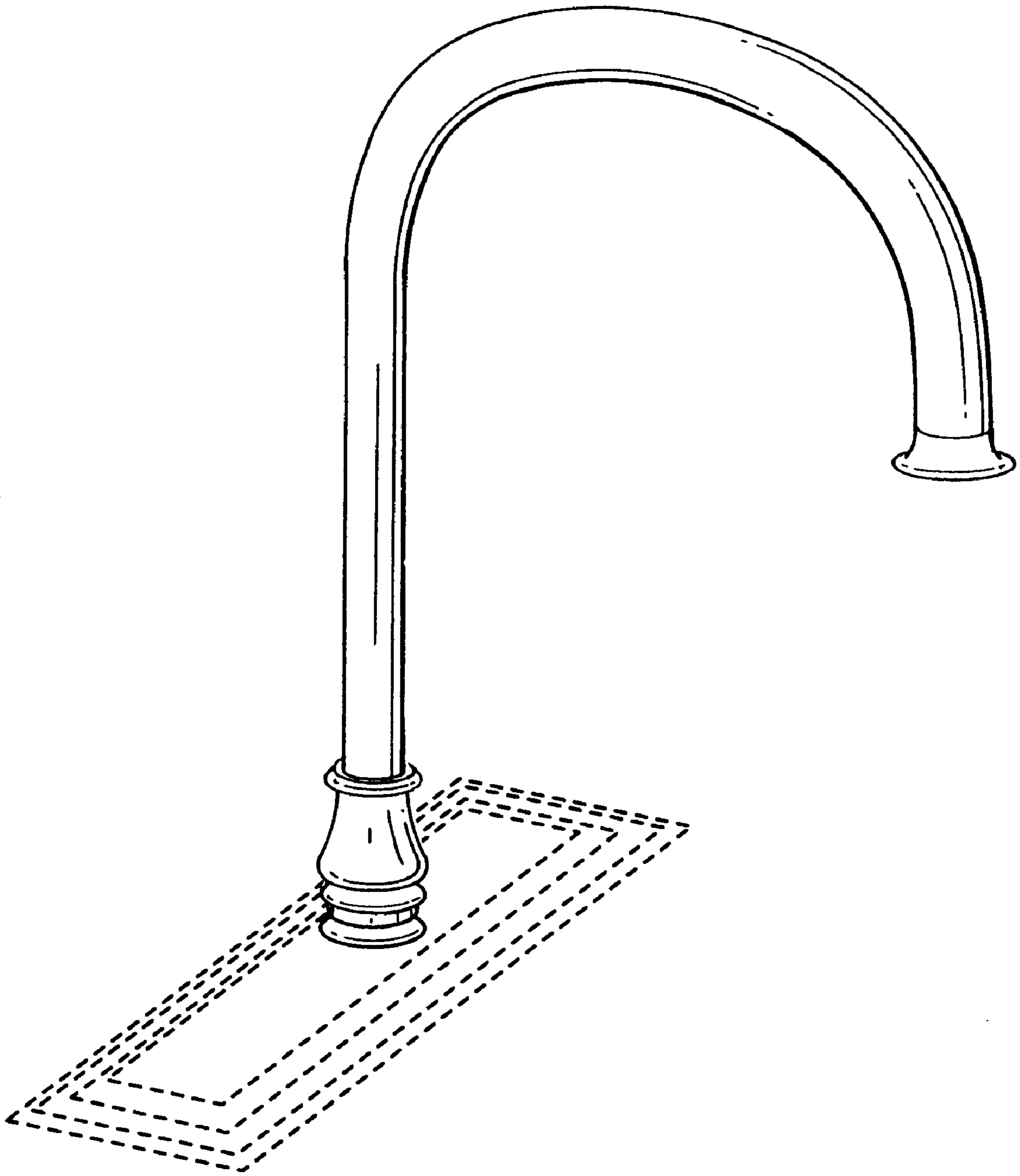


FIG. 1



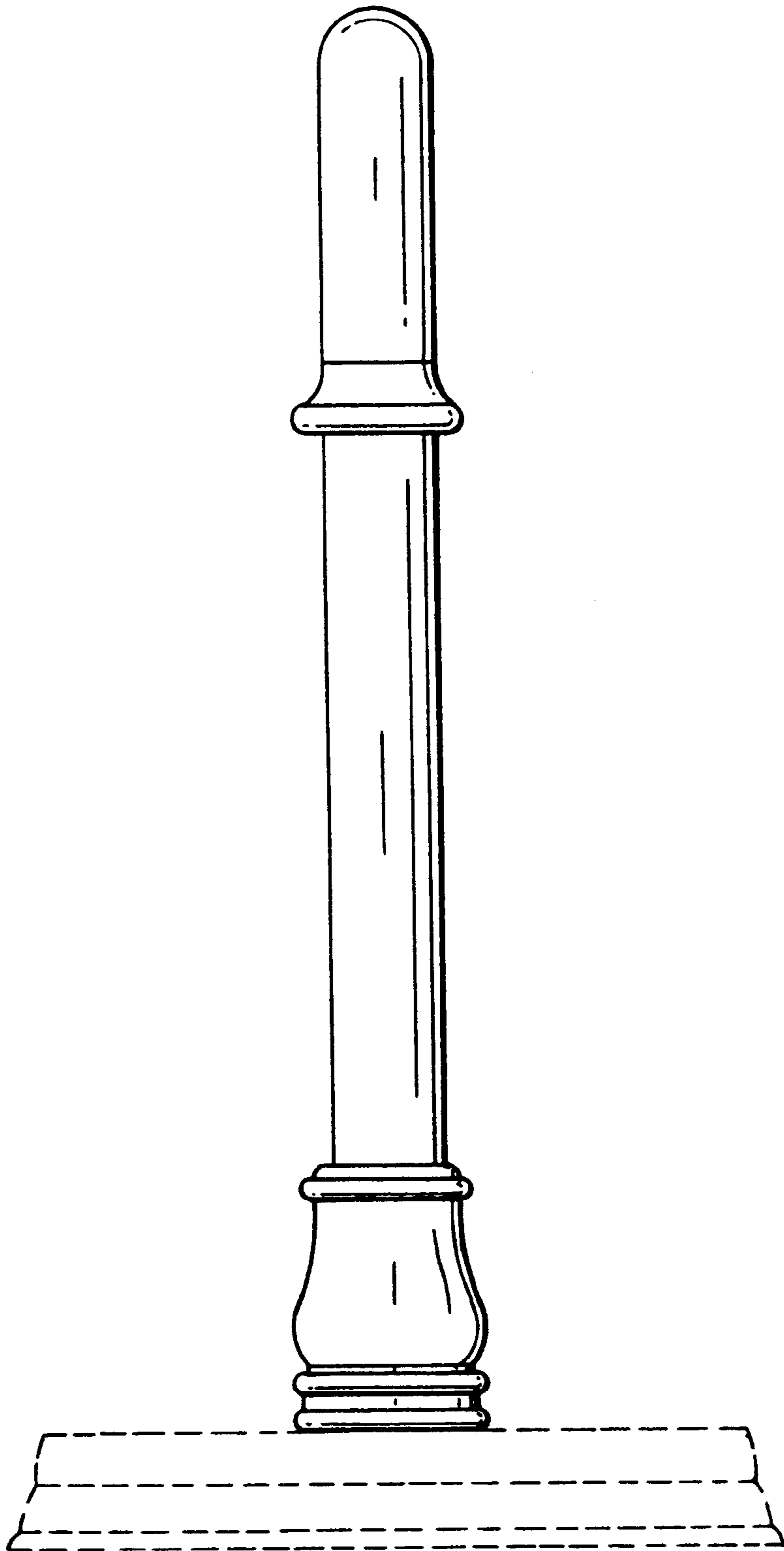


FIG. 2

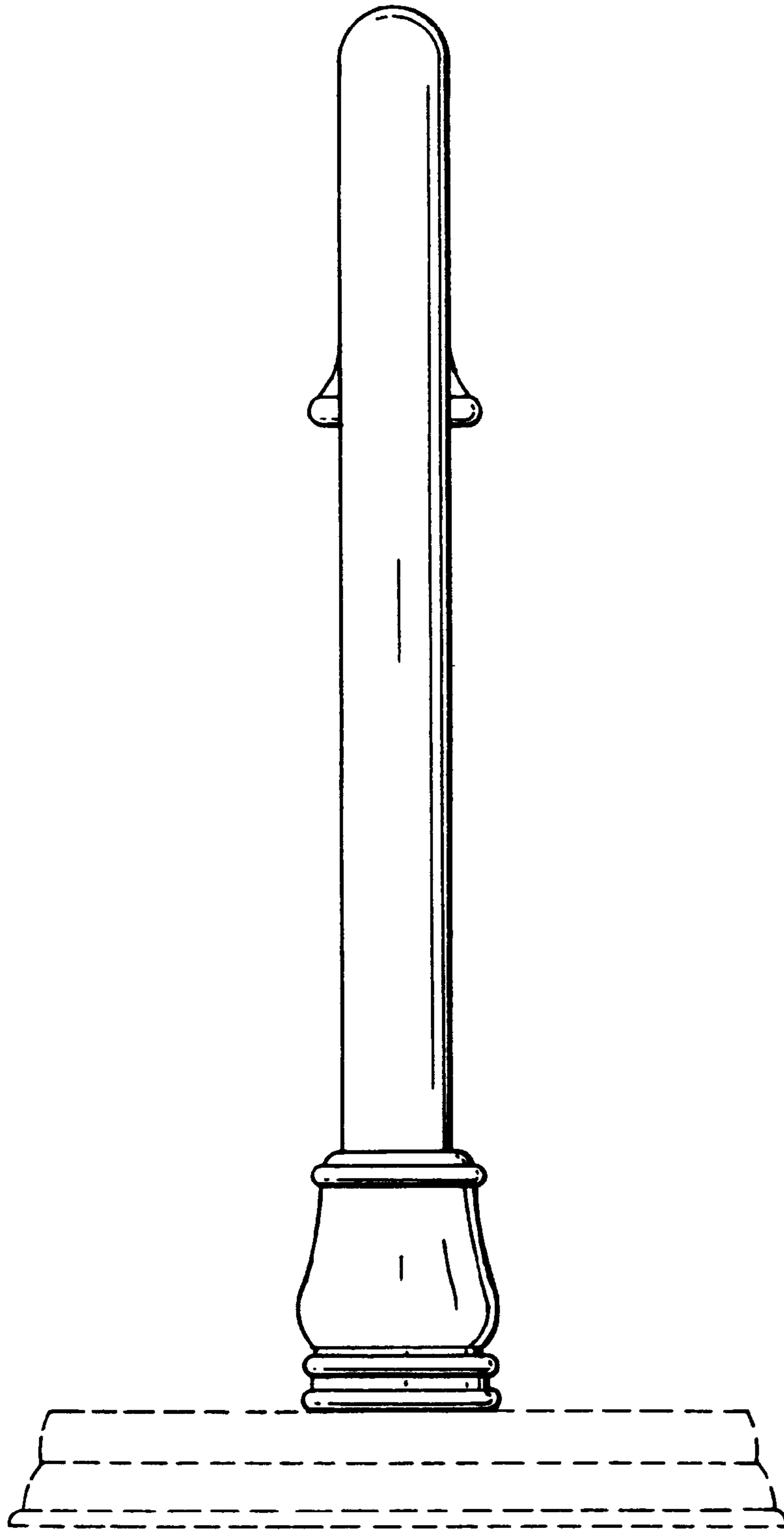


FIG. 3

FIG. 4

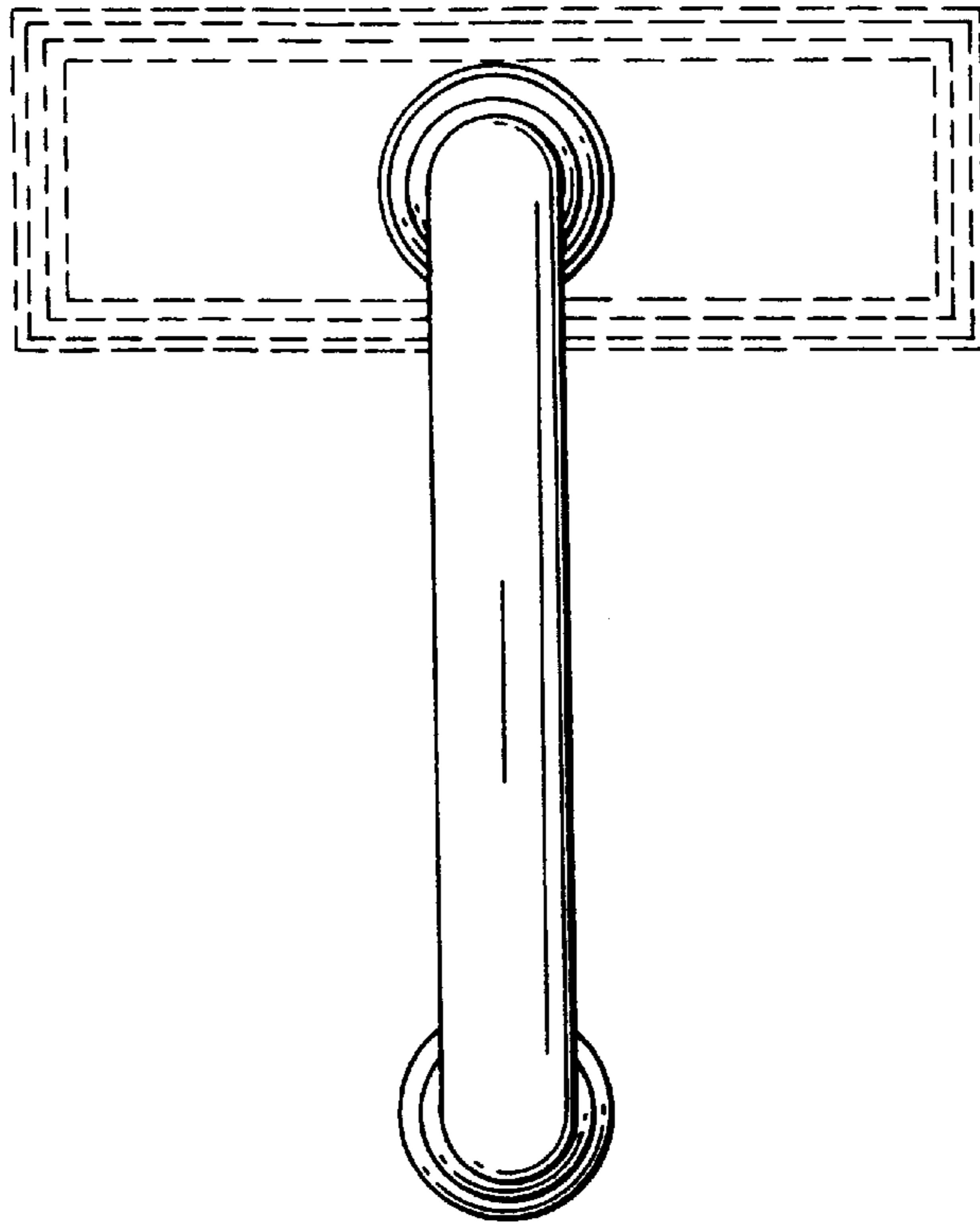
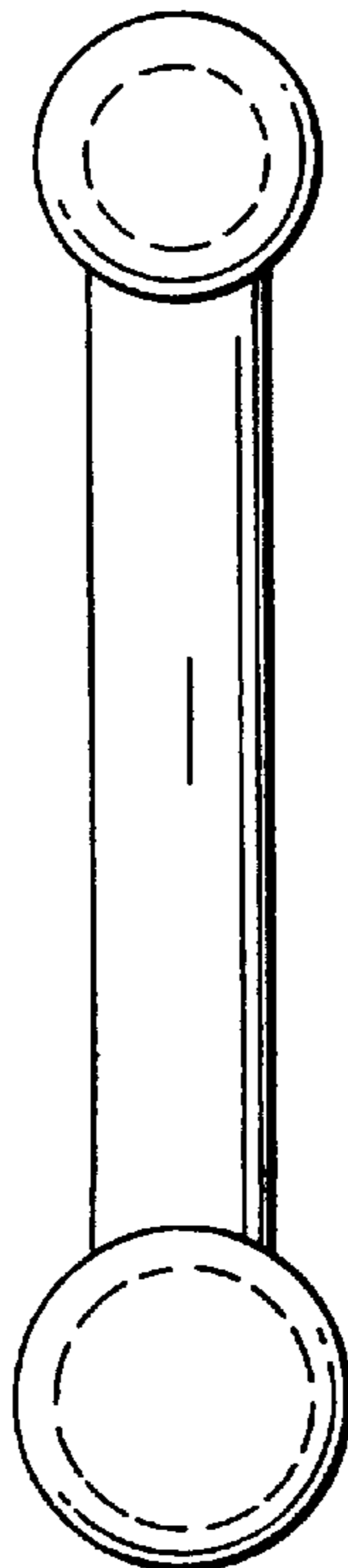


FIG. 5



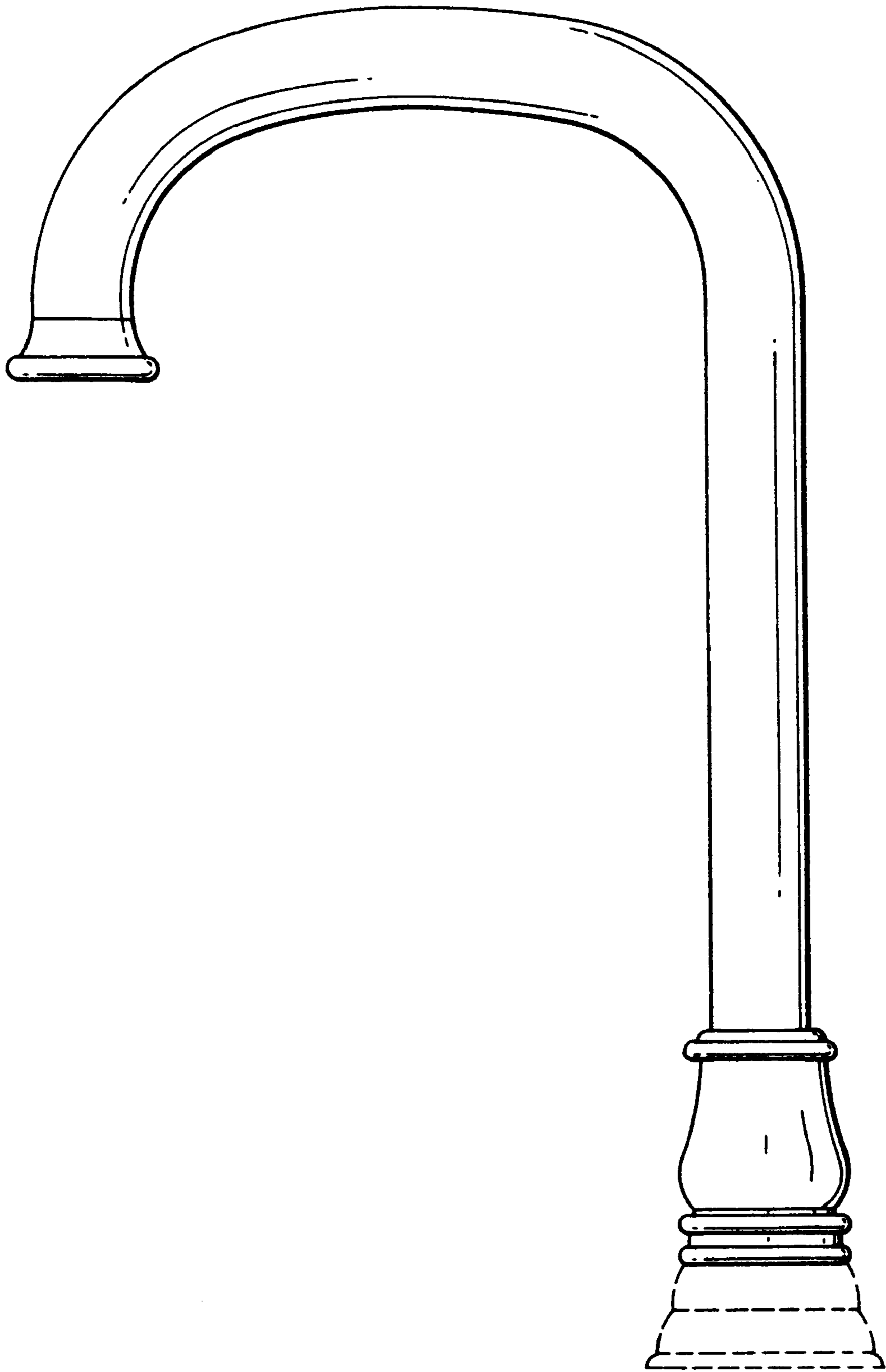


FIG. 6

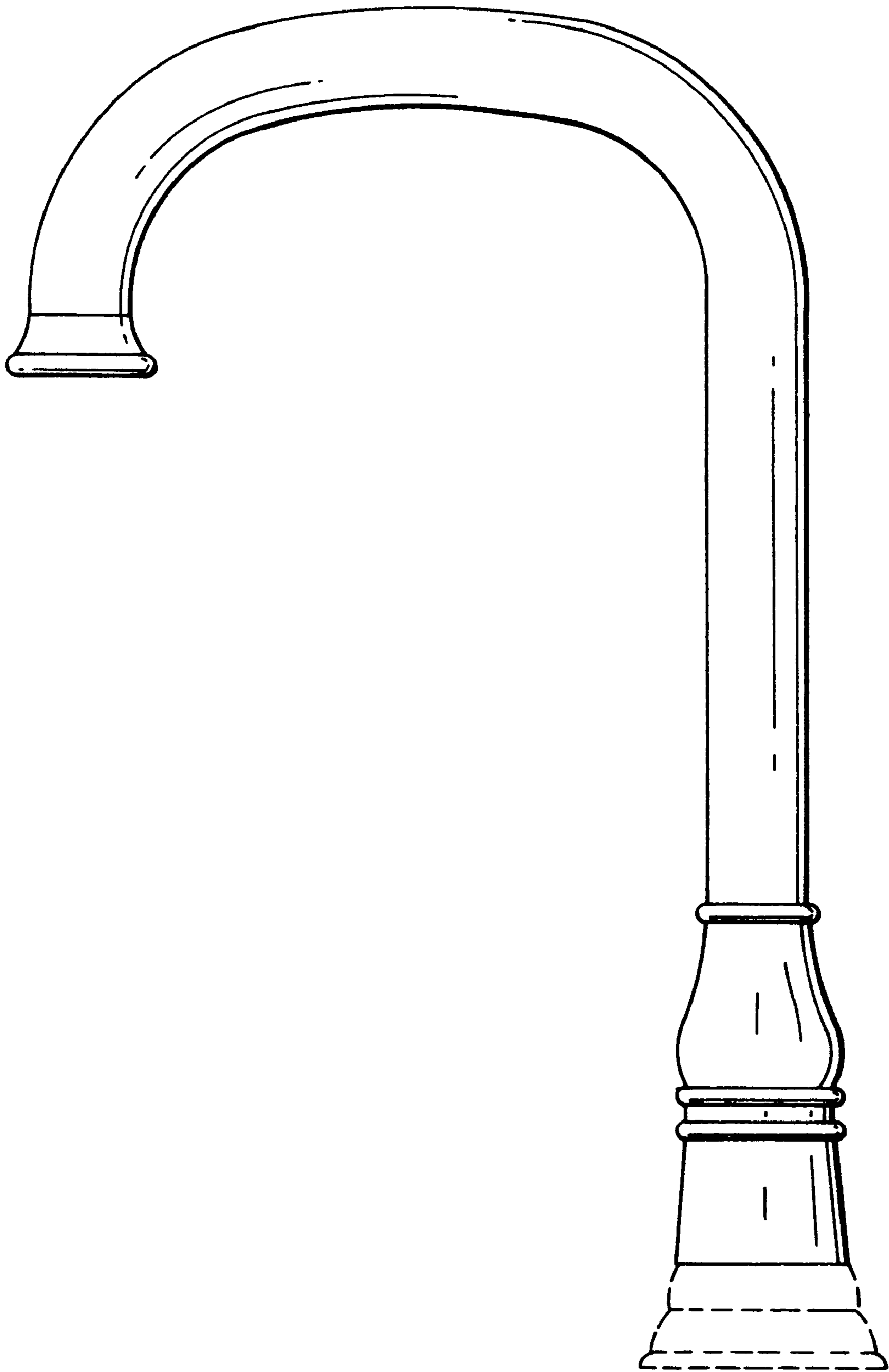


FIG. 7

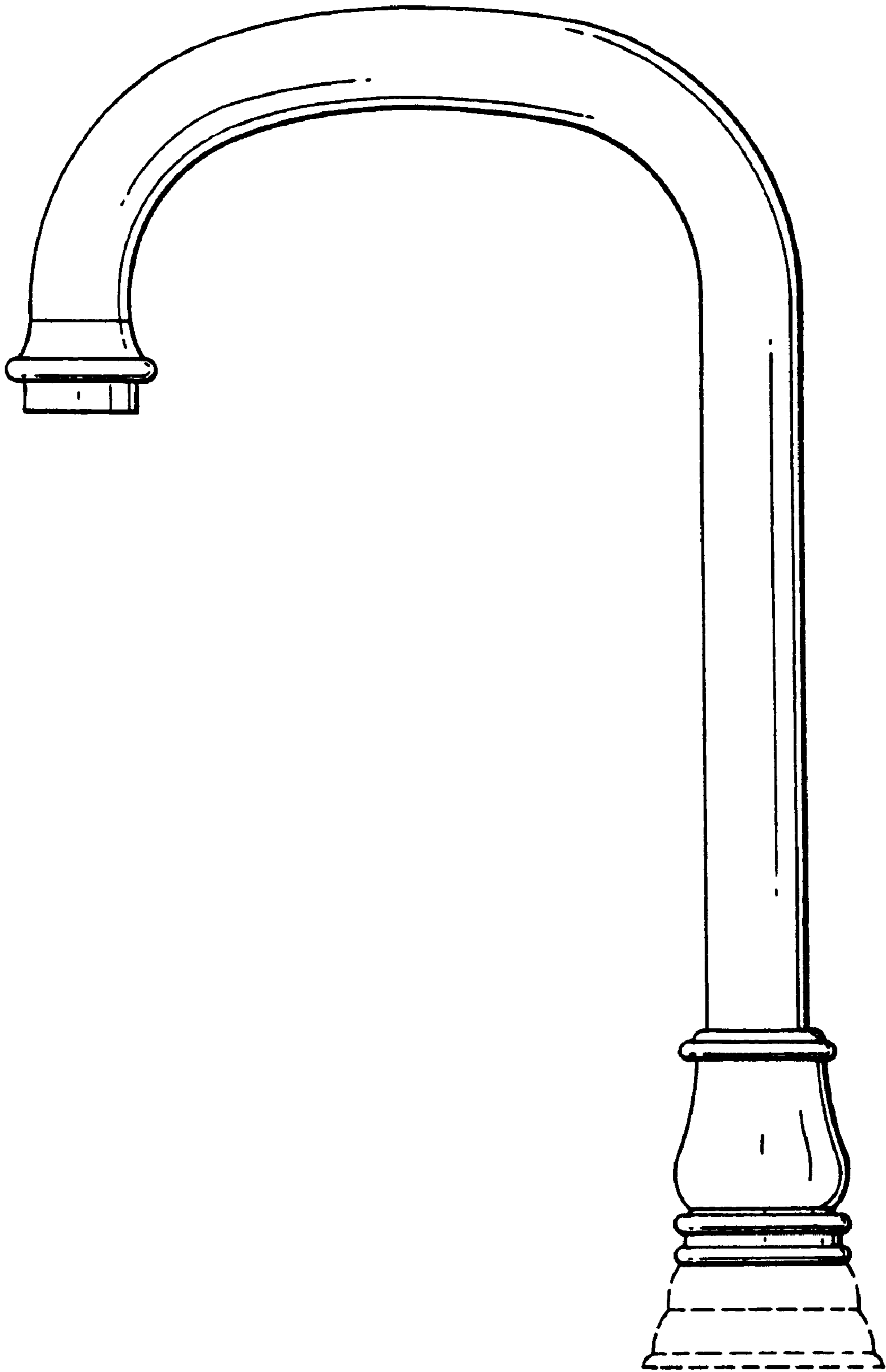


FIG. 8