



US00D409291S

United States Patent [19] Lord

[11] **Patent Number: Des. 409,291**
[45] **Date of Patent:*** May 4, 1999**

[54] **FAUCET SPOUT**

OTHER PUBLICATIONS

[75] Inventor: **Judd A. Lord**, Carmel, Ind.

Sweet's Catalog File (1980).

[73] Assignee: **Masco Corporation of Indiana**, Indianapolis, Ind.

Kohler pp. 3-36.

[*] Notice: This patent is subject to a terminal disclaimer.

Delta Full Line Catalog—The Way Water is Brought to Life (1992).

[**] Term: **14 Years**

Delta Full Line Price List.

Euroexclusive: Euromodular (1987).

[21] Appl. No.: **29/084,094**

Delta HDF Catalog (Commercial Products) (1987).

[22] Filed: **Feb. 24, 1998**

Best.

Moen—Enduring Elegance.

[51] **LOC (6) Cl. 23-01**

[52] **U.S. Cl. D23/255**

[58] **Field of Search D23/238-243, D23/250-257; 137/801; 4/675-678**

Delta Full Line Catalog—Living with Classics.

Moen—Fifty Years of Faucet Innovation.

Primary Examiner—Louis S. Zarfes

Assistant Examiner—Eric Watterson

Attorney, Agent, or Firm—Myron B. Kapustij; Leon E. Redman

[56] **References Cited**

[57] **CLAIM**

U.S. PATENT DOCUMENTS

The ornamental design for a faucet spout, as shown and described.

- D. 140,557 3/1945 Stanitz .
- D. 193,885 10/1962 Andrews .
- D. 197,000 11/1963 Landell .
- D. 203,246 12/1965 Harvey et al. .
- D. 213,874 4/1969 Landell D23/238
- D. 219,779 1/1971 Tiller D23/238
- D. 253,799 1/1980 Saporito et al. .
- D. 297,357 8/1988 Spangler .
- D. 297,358 8/1988 Hill .
- D. 363,534 10/1995 Hill et al. .
- D. 363,535 10/1995 Hill et al. .
- D. 364,211 11/1995 Hill et al. .
- D. 364,212 11/1995 Hill et al. .
- D. 365,142 12/1995 Hill et al. .
- D. 367,697 3/1996 Haug et al. .
- D. 367,698 3/1996 Haug et al. .
- D. 367,917 3/1996 Haug et al. D23/238
- D. 367,918 3/1996 Haug et al. D23/238
- D. 368,956 4/1996 Haug et al. D23/238
- 3,035,612 5/1962 Lyon .
- 3,202,181 8/1965 West .
- 4,804,010 2/1989 Meissenburg .

DESCRIPTION

FIG. 1 is a front perspective view of a faucet spout showing my new design;

FIG. 2 is a rear perspective view thereof;

FIG. 3 is a top plan view thereof;

FIG. 4 is a front elevational view thereof;

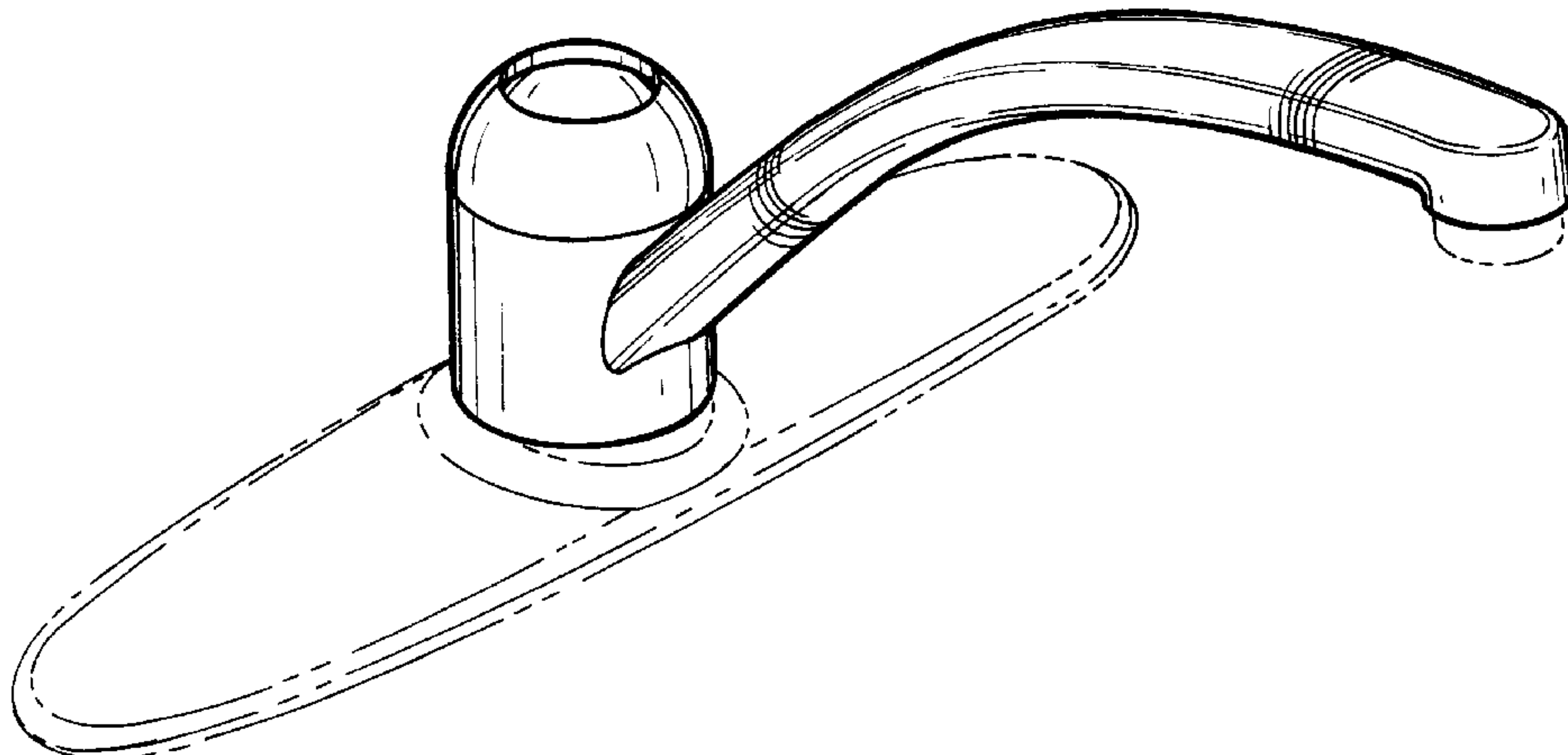
FIG. 5 is a right side elevational view thereof, the left side being a mirror image;

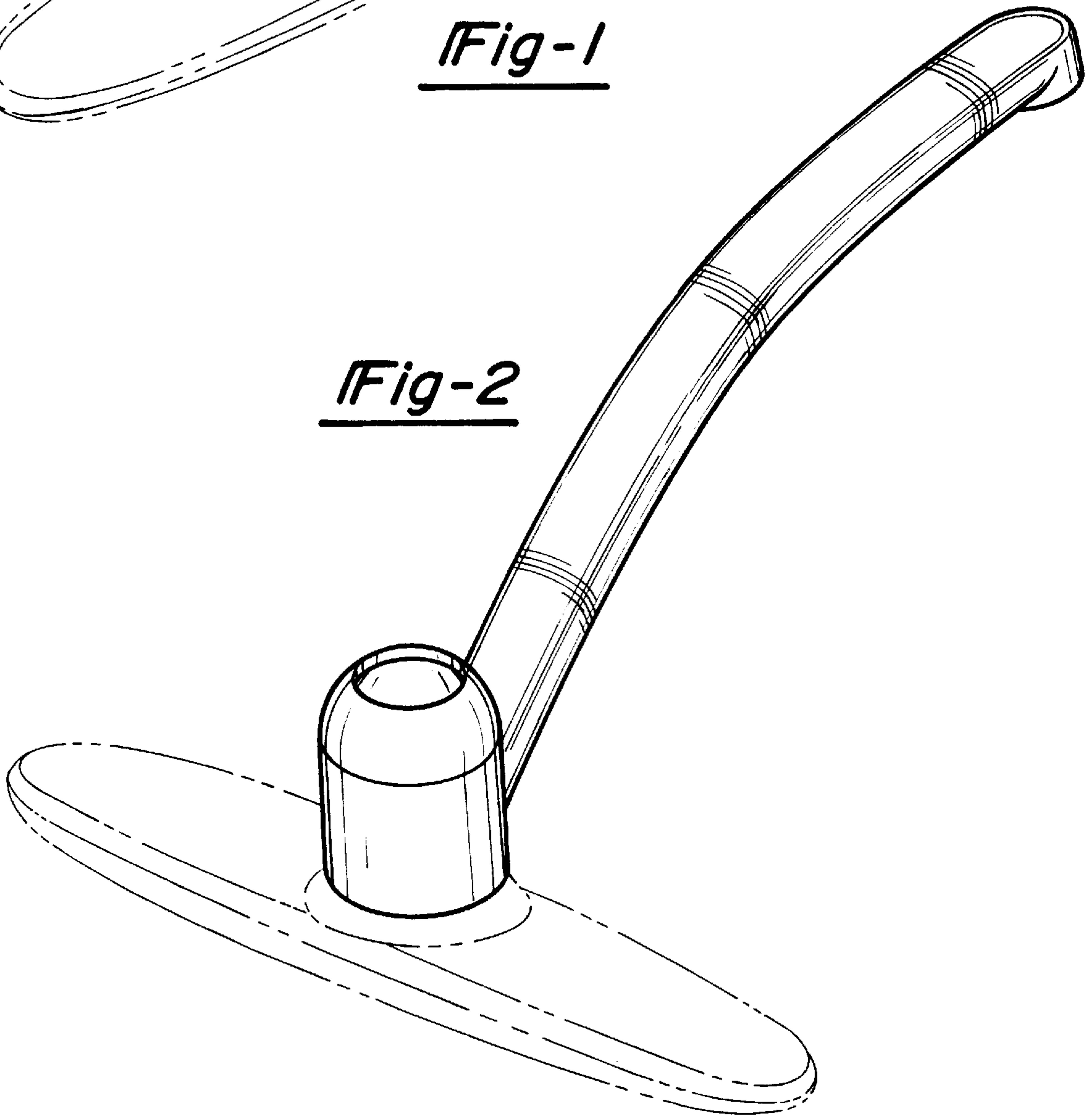
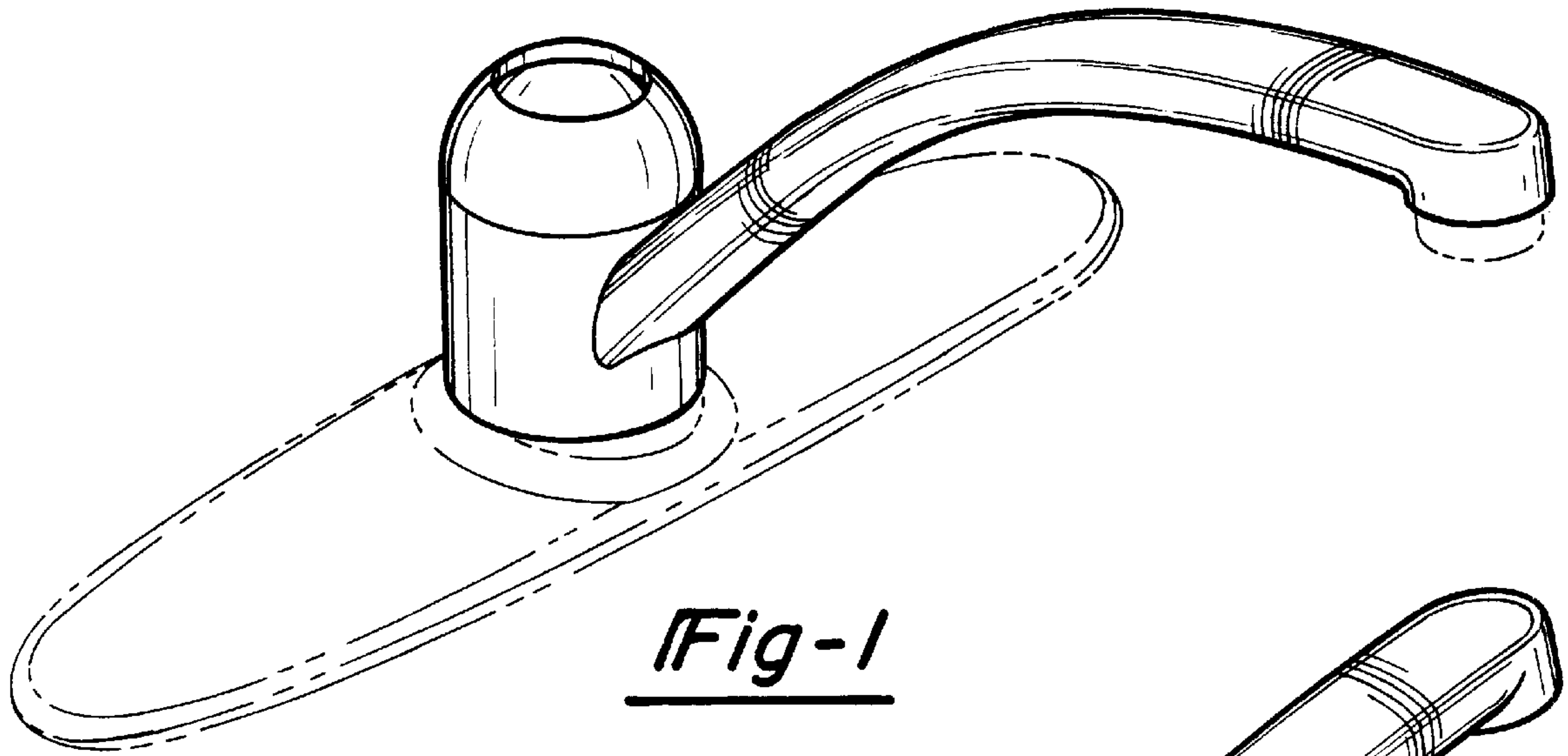
FIG. 6 is a rear elevational view thereof; and,

FIG. 7 is a bottom plan view thereof.

The broken line showings of the aerator in FIG. 1 and the escutcheon in FIGS. 1-6 are for purposes of illustration only and form no part of the claimed design.

1 Claim, 4 Drawing Sheets





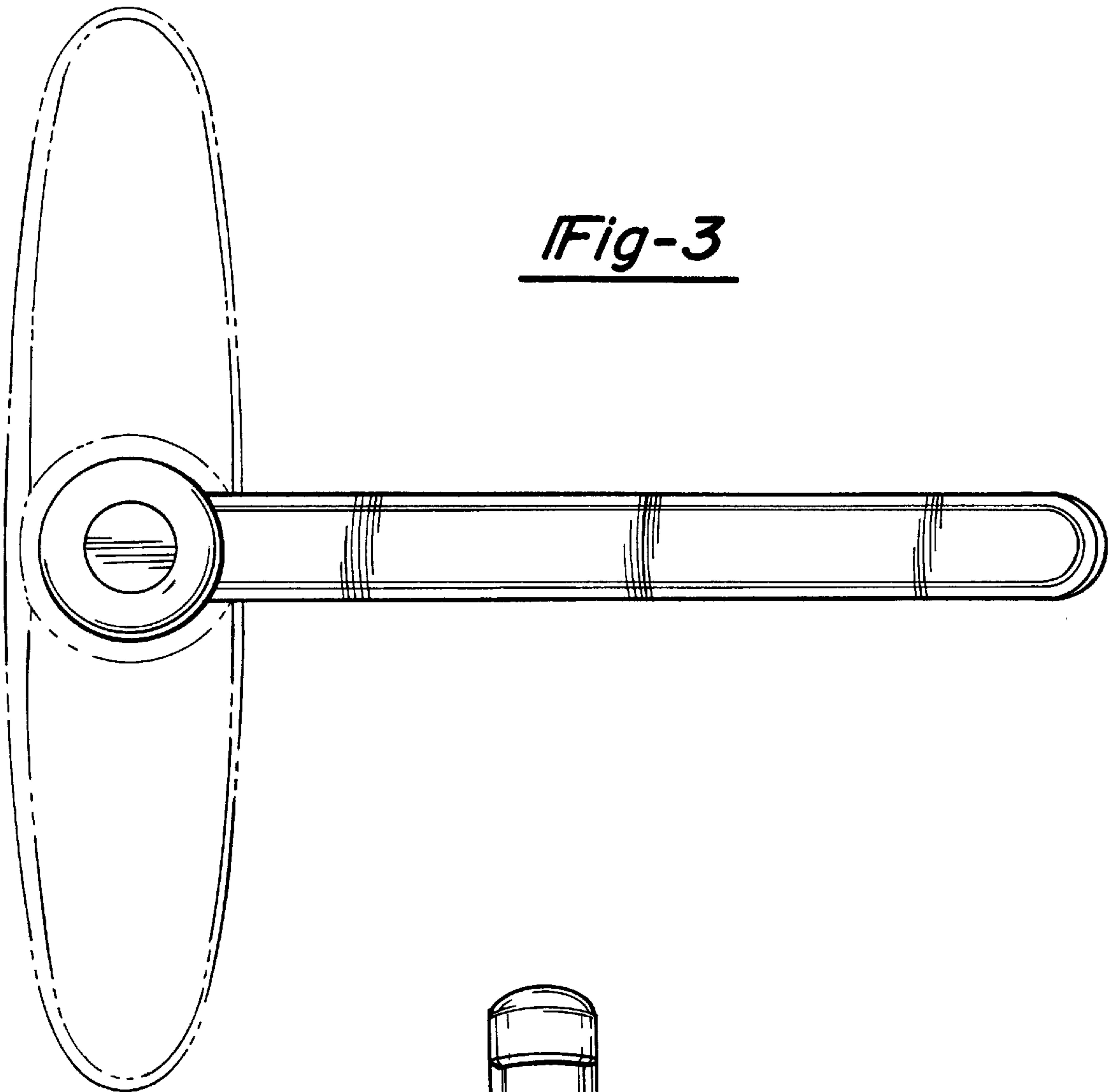


Fig-3

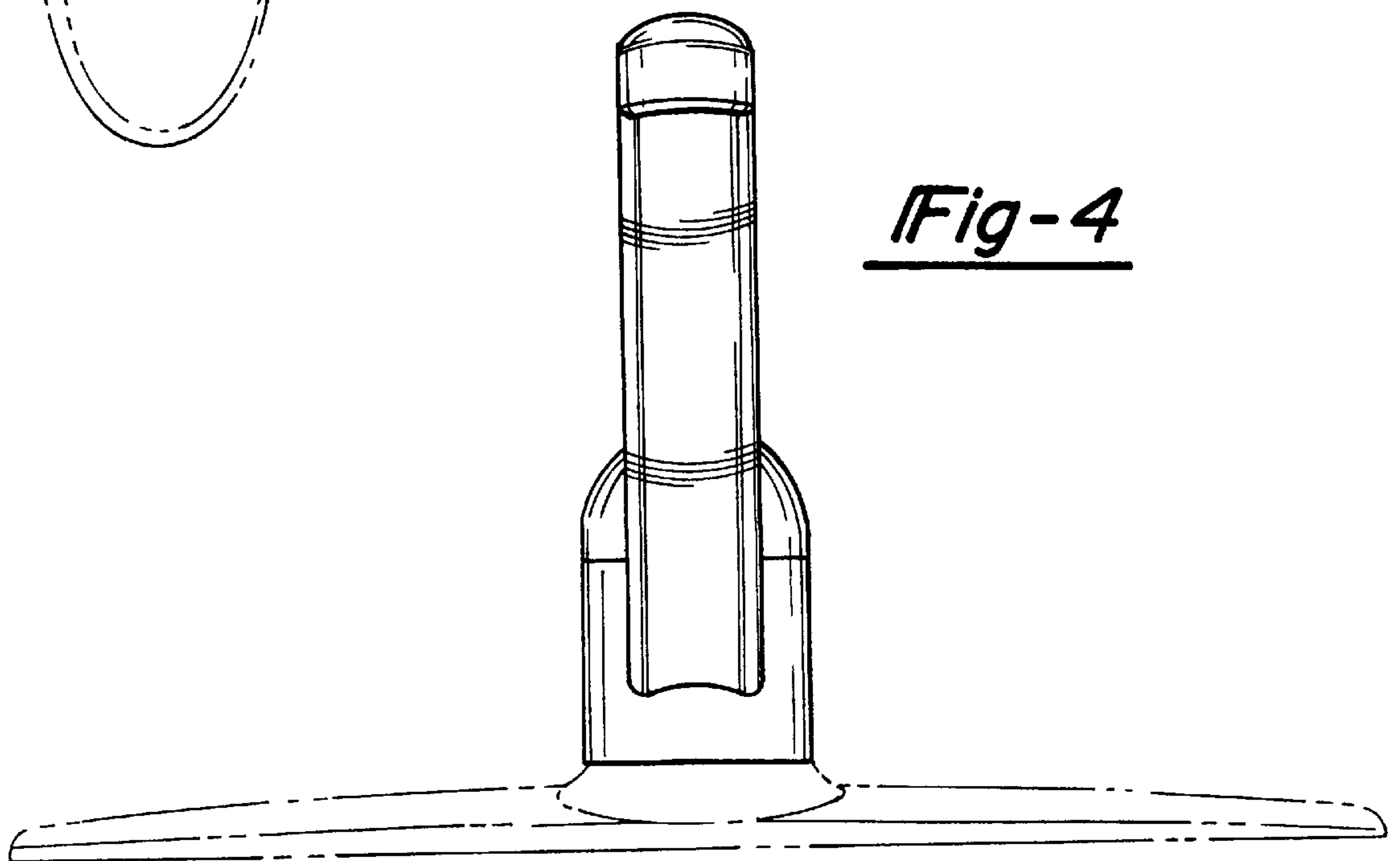


Fig-4

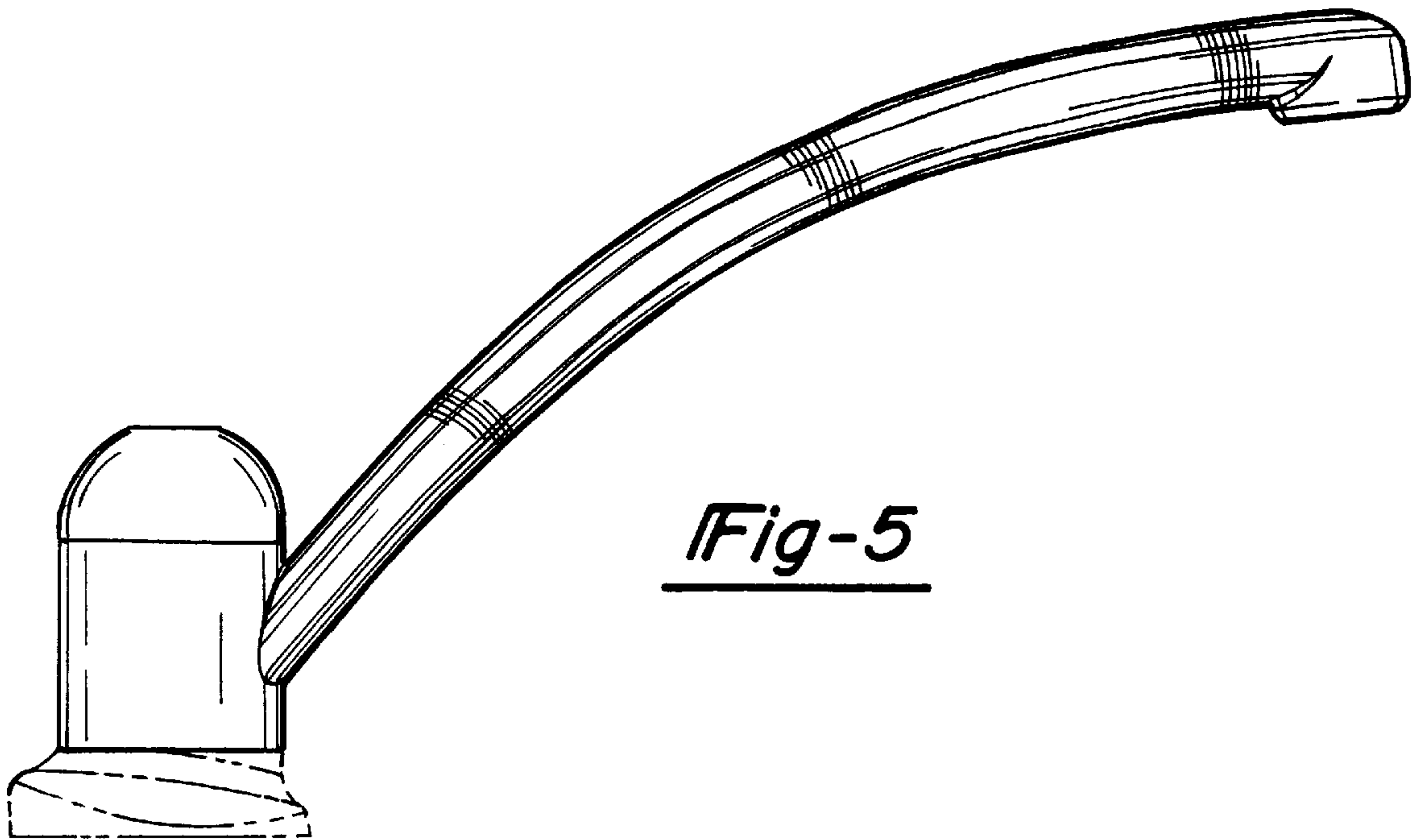


Fig-5

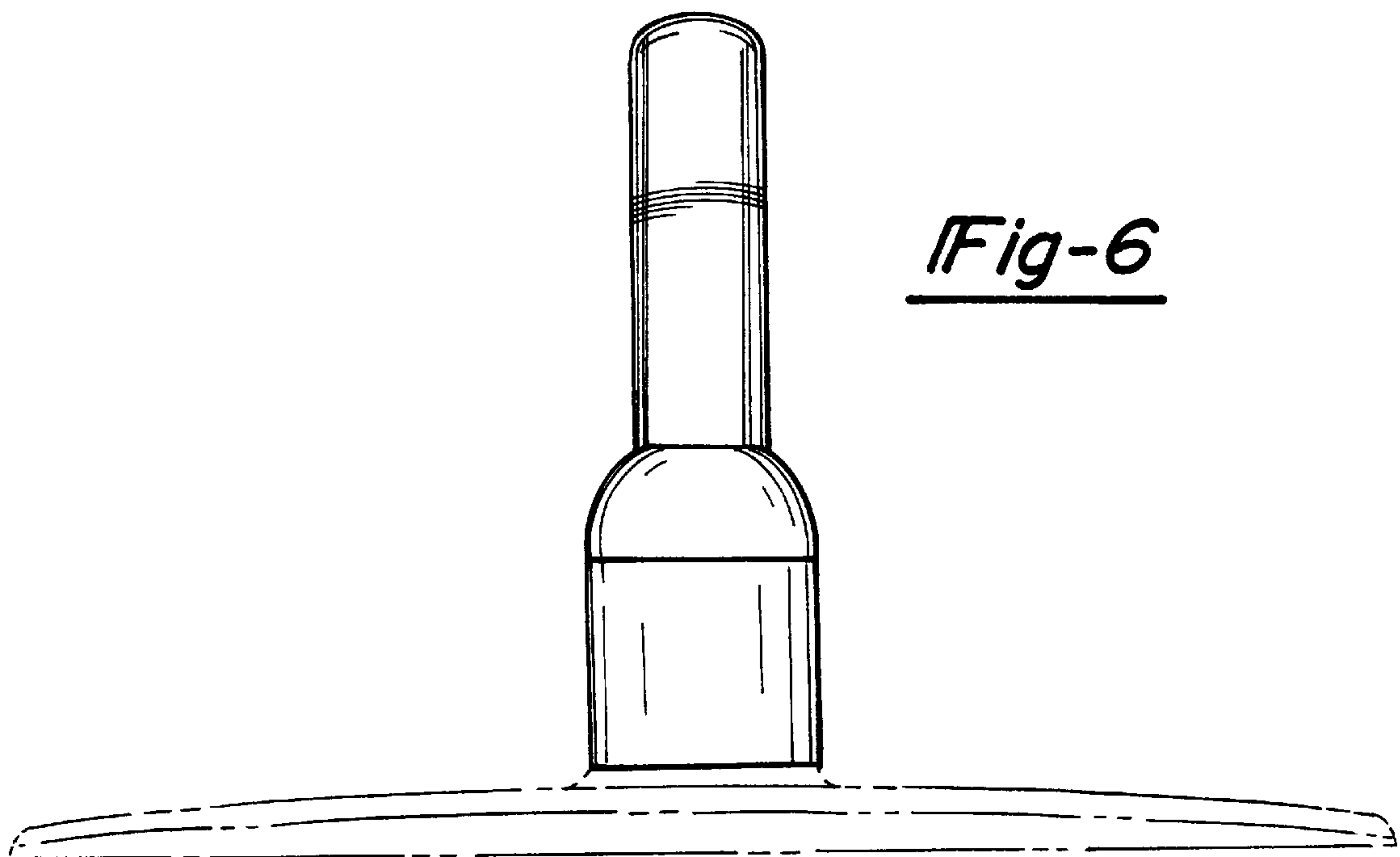


Fig-6

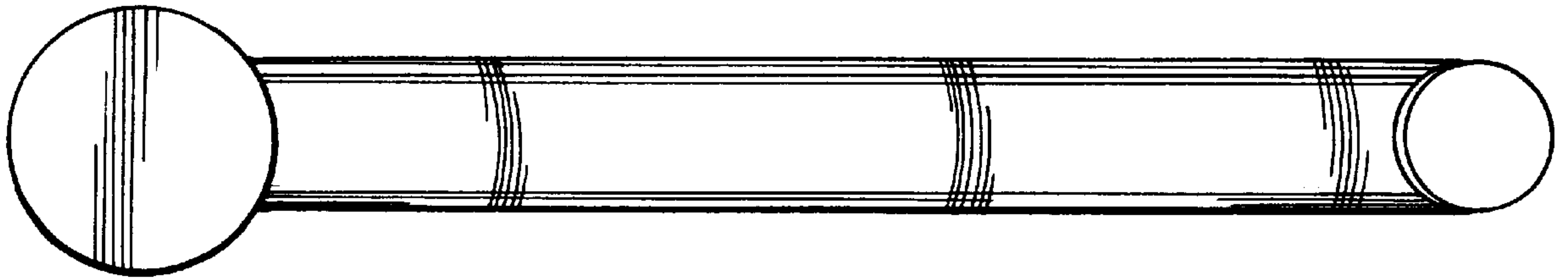


Fig-7