



US00D409290S

# United States Patent [19] Gottwald

[11] **Patent Number: Des. 409,290**

[45] **Date of Patent: \*\* May 4, 1999**

[54] **LEVER HEAD AND ESCUTCHEON FOR A WALL-MOUNT TUB OR SHOWER FAUCET**

D. 344,128	2/1994	Gottwald	.....	D23/254
D. 345,004	3/1994	Bengtson	.....	D23/254
D. 363,765	10/1995	Starack	.....	D23/254
D. 373,180	8/1996	Gottwald	.....	D23/254

[75] Inventor: **Adolf Gottwald**, Iserlohn, Germany

[73] Assignee: **Friedrich Grohe AG**, Hemer, Germany

[\*\*] Term: **14 Years**

*Primary Examiner*—Louis S. Zarfes  
*Assistant Examiner*—Eric Watterson  
*Attorney, Agent, or Firm*—Herbert Dubno

[21] Appl. No.: **29/091,540**

[57] **CLAIM**

[22] Filed: **Jul. 31, 1998**

The ornamental design for a lever head and escutcheon for a wall-mount tub or shower faucet, as shown and described.

[30] **Foreign Application Priority Data**

**DESCRIPTION**

Feb. 19, 1998 [DE] Germany ..... M 98 01 732

[51] **LOC (6) Cl.** ..... **23-01**

[52] **U.S. Cl.** ..... **D23/254**

[58] **Field of Search** ..... D23/238-243,  
D23/250-257; D8/300-308; 4/675-678;  
137/801

FIG. 1 is a top, front, left-side perspective view of a lever head and escutcheon for a wall-mount tub or shower faucet showing my new design;

FIG. 2 is a bottom view thereof;

FIG. 3 is a front view thereof;

FIG. 4 is a right side-elevation view thereof, the left side-elevation view being mirror symmetrical thereto;

FIG. 5 is a top view thereof; and,

FIG. 6 is a rear view thereof, not visible in use.

[56] **References Cited**

**U.S. PATENT DOCUMENTS**

D. 319,294 8/1991 Koaler, Jr. et al. .... D23/254

**1 Claim, 3 Drawing Sheets**

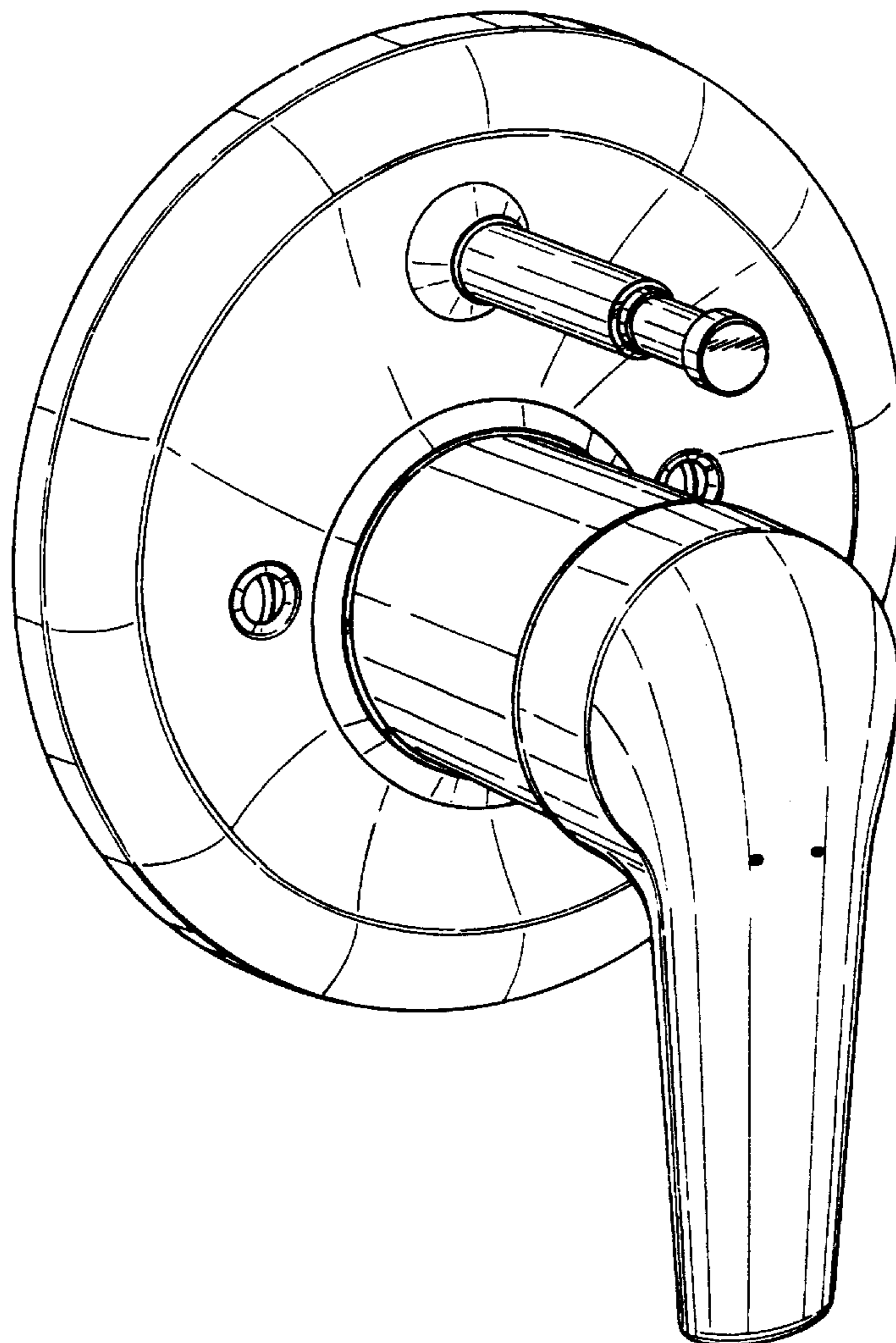


FIG. 1

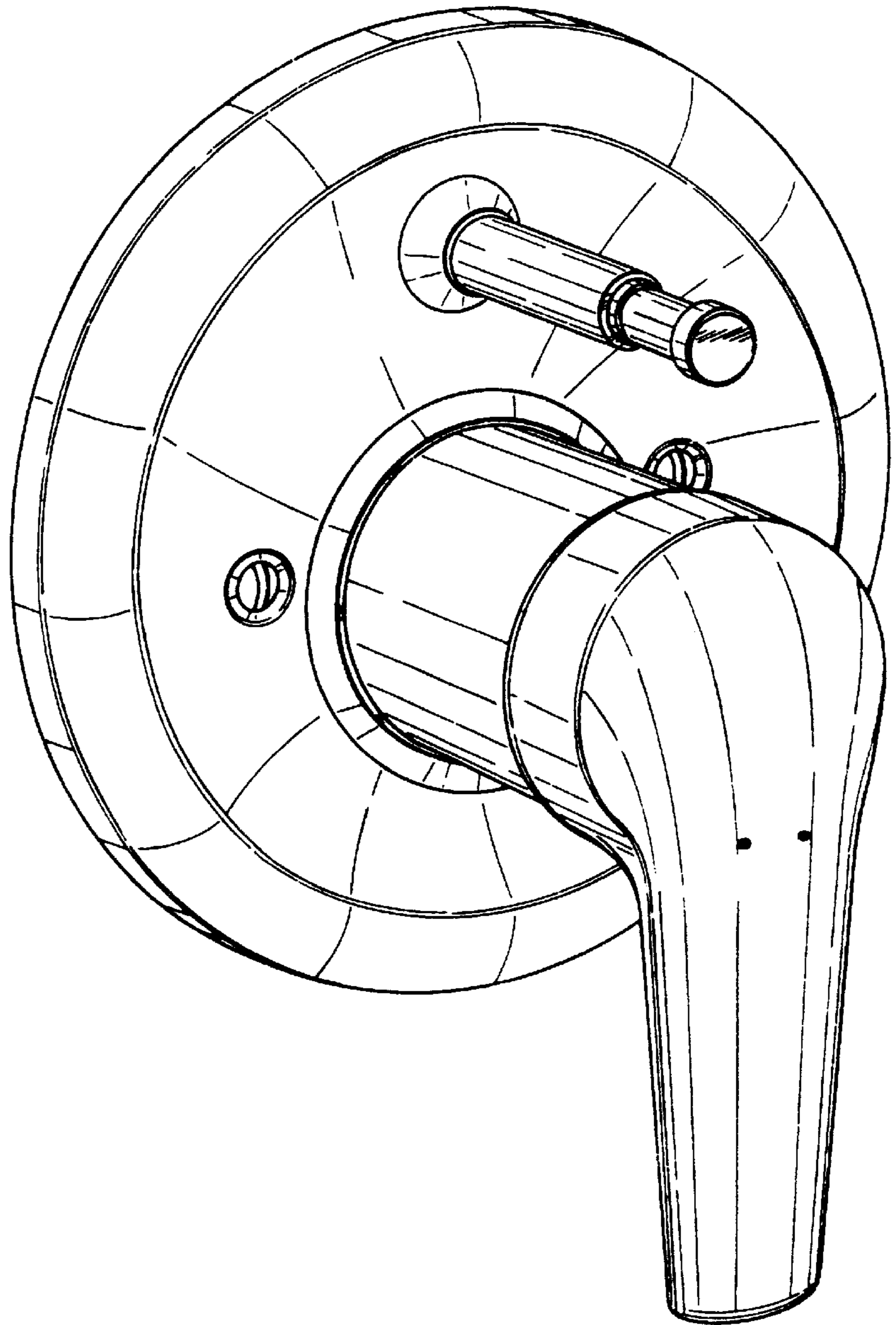


FIG. 2

