



US00D409287S

United States Patent [19]

[11] **Patent Number: Des. 409,287**

Hansen

[45] **Date of Patent: ** May 4, 1999**

[54] **VALVE**

[76] **Inventor: Albert Frederick Hansen, 156 Lower Dent Street, Whangerei, New Zealand**

[**] **Term: 14 Years**

[21] **Appl. No.: 29/054,071**

[22] **Filed: Nov. 13, 1996**

[30] Foreign Application Priority Data

May 13, 1996 [NZ] New Zealand 27591

[51] **LOC (6) Cl. 23-01**

[52] **U.S. Cl. D23/248**

[58] **Field of Search** D23/233, 235, D23/237, 238-243, 209, 247, 248, 250, 259; D8/300, 307, 310, 312, DIG. 2, DIG. 3; 210/498, 499; 405/40-42, 43-46; 137/140

[56] References Cited

U.S. PATENT DOCUMENTS

- D. 113,439 2/1939 Reinecke D23/213
- D. 167,285 7/1952 Schmid D23/261
- 173,208 2/1876 Byram 405/43
- D. 183,609 9/1958 Higgins D23/261 X
- D. 234,197 1/1975 Lieberman D23/209

- D. 240,300 6/1976 Gelman D23/209
- D. 347,465 5/1994 Luppino D23/233
- 834,431 10/1906 Williams 210/499 X
- 857,519 6/1907 Foster 137/140 X
- 1,905,919 4/1933 Levis 405/43 X
- 2,079,269 5/1937 Williams 138/32
- 4,890,640 1/1990 King, Sr. 405/44 X
- 5,102,537 4/1992 Jones 405/41 X

Primary Examiner—Ted Shooman
Assistant Examiner—C. Tuttle
Attorney, Agent, or Firm—Dorsey & Whitney LLP

[57] CLAIM

The ornamental design for a valve, as shown and described.

DESCRIPTION

FIG. 1 is a perspective view depicting the valve of the present invention;
FIG. 2 is an elevational view of one side thereof, all sides appearing the same;
FIG. 3 is a top plan view thereof; and,
FIG. 4 is a bottom plan view thereof.
The appearance of the spaces between the upper ribs and the interior portions not shown in the drawings form no part of the claimed design.

1 Claim, 2 Drawing Sheets

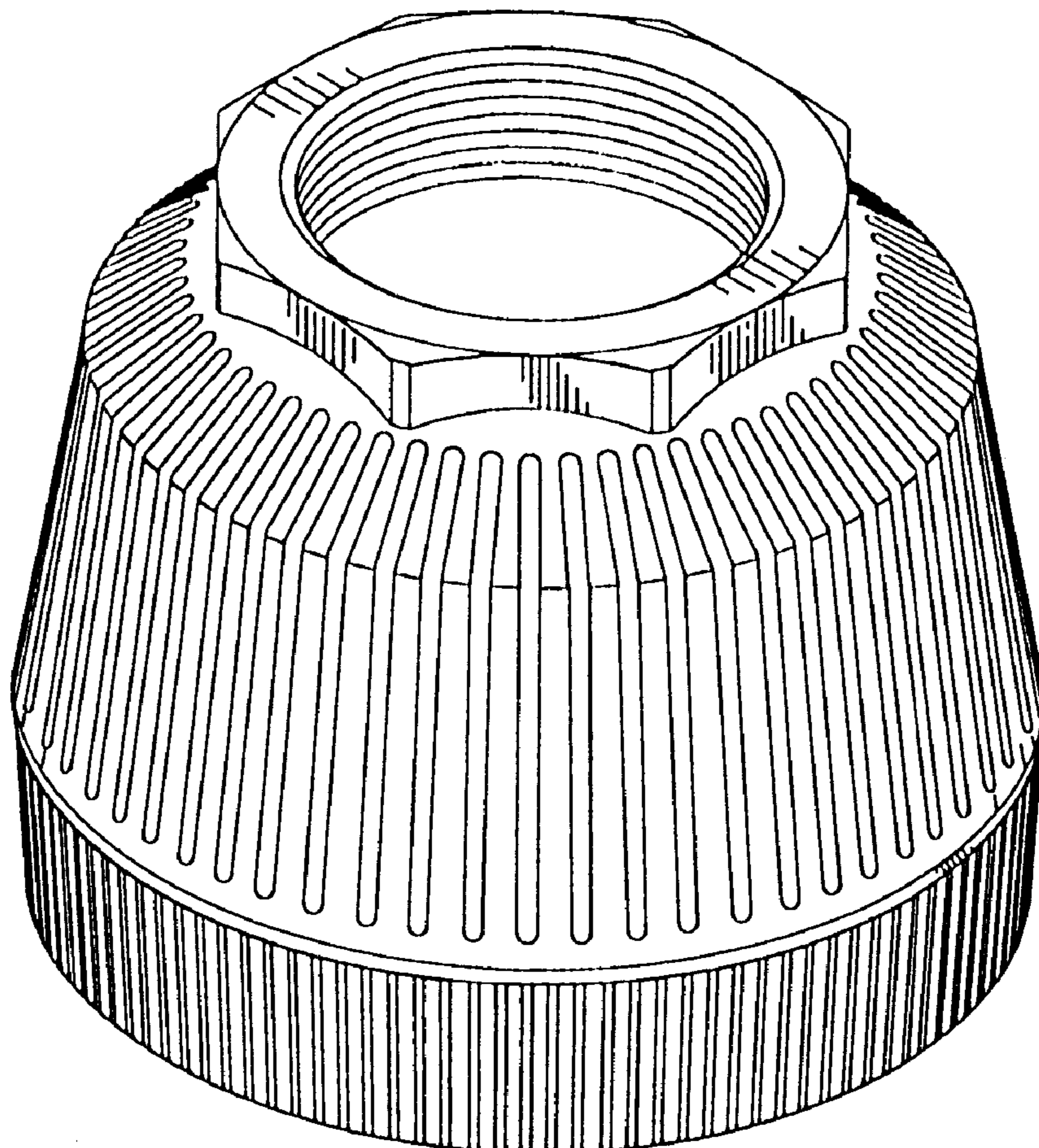


Fig. 1

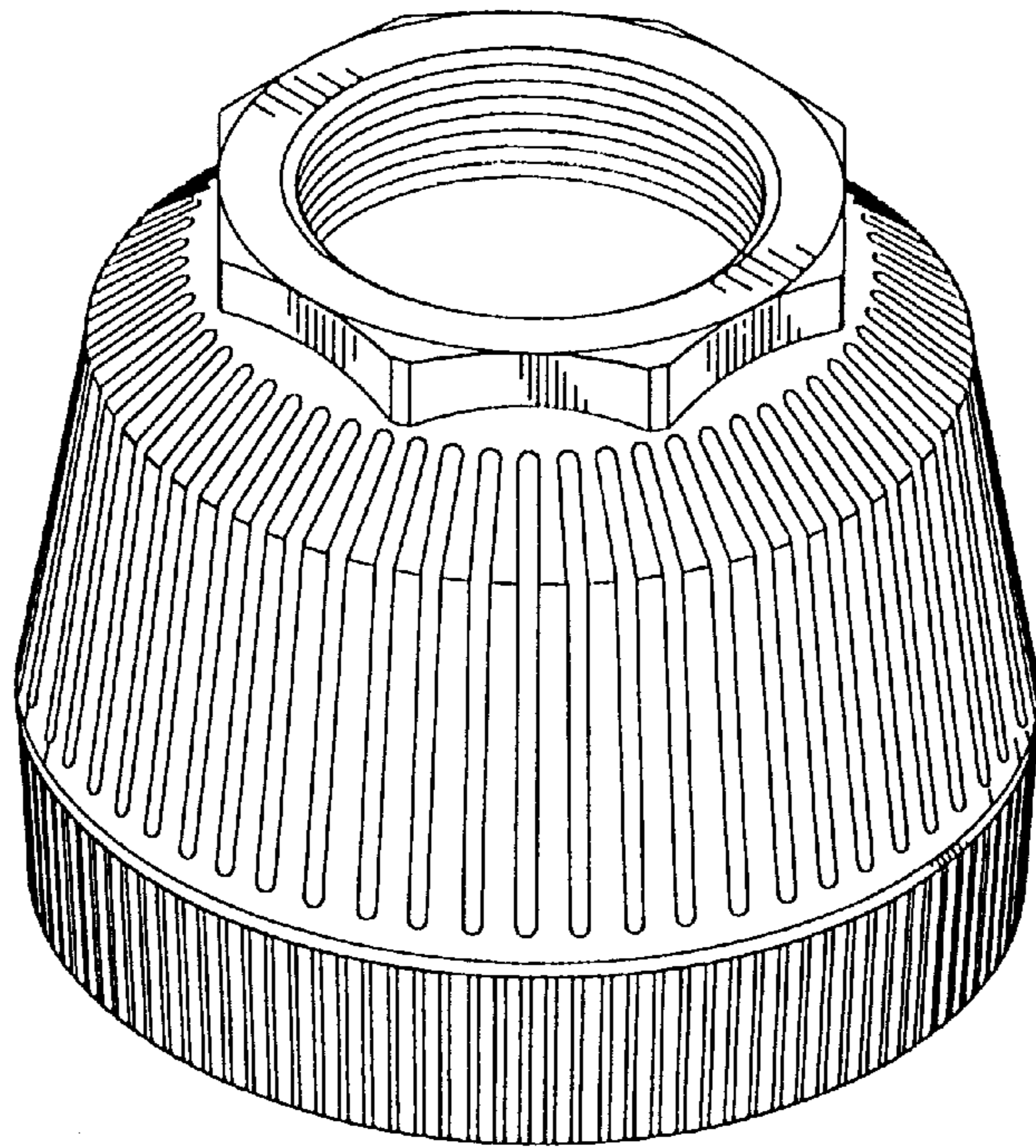


Fig. 2

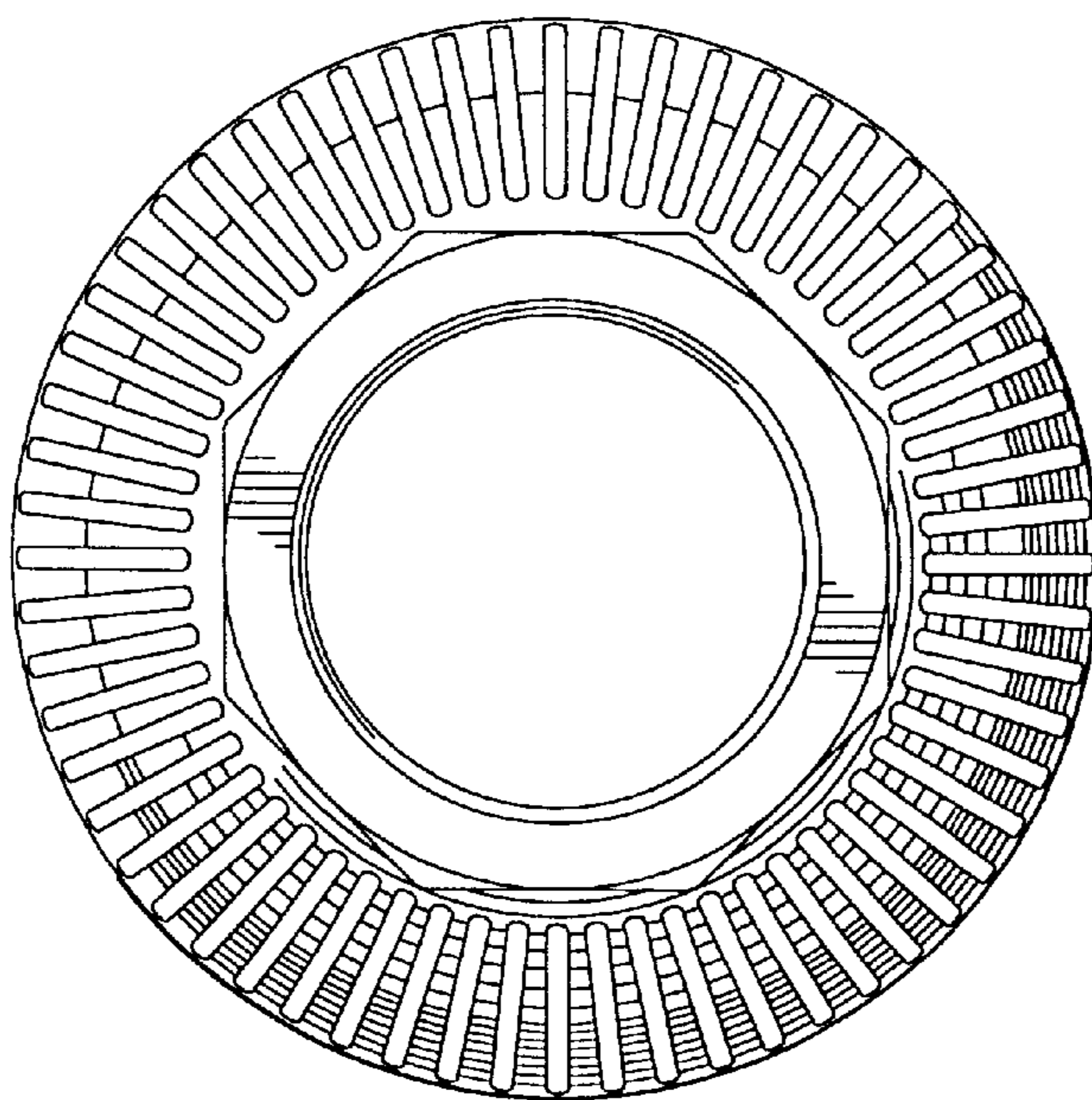


Fig. 3

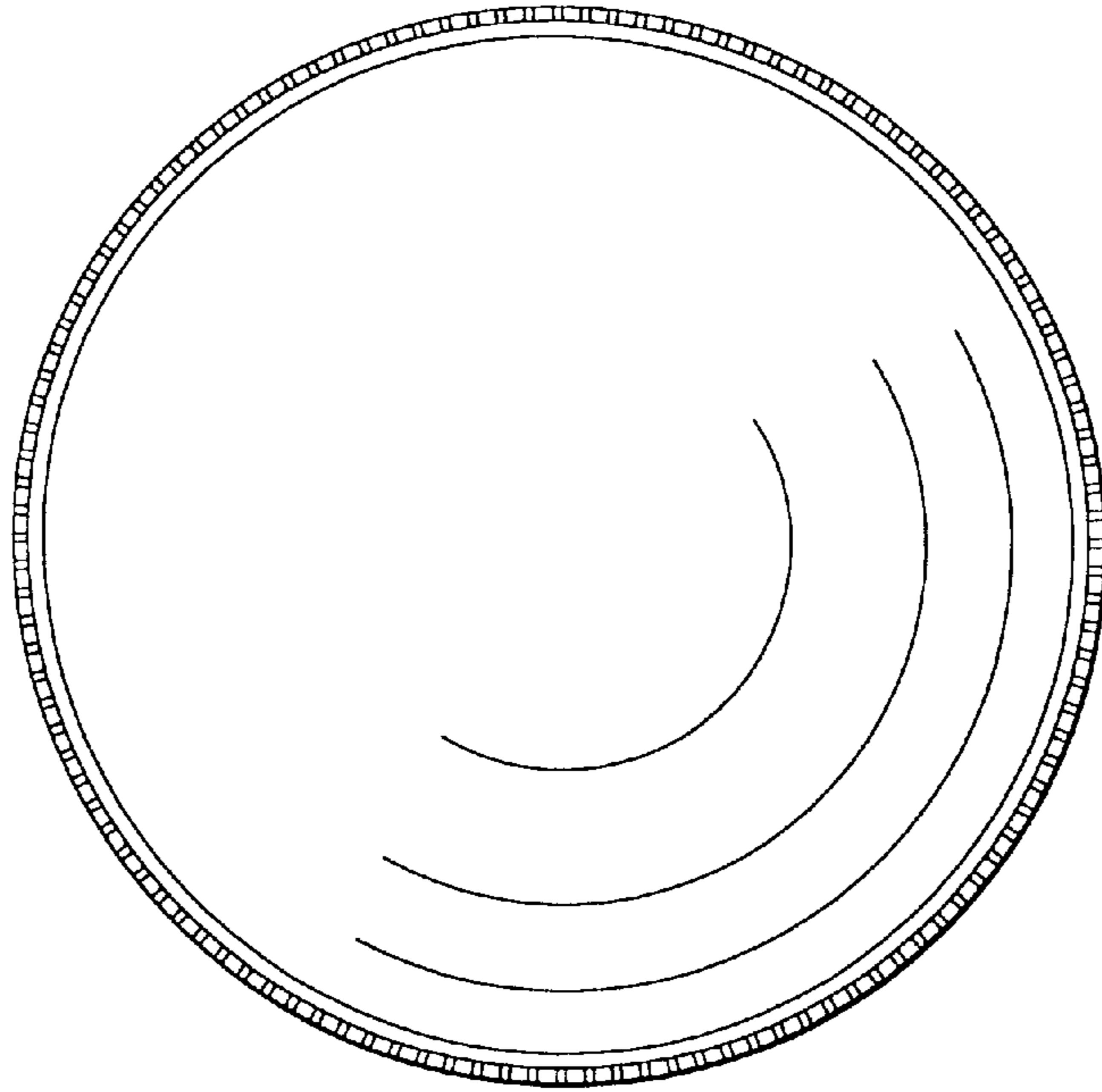


Fig. 4

