



US00D409283S

**United States Patent** [19]  
**Pitsch**

[11] **Patent Number: Des. 409,283**

[45] **Date of Patent: \*\* May 4, 1999**

[54] **FAUCET**

[75] **Inventor: Walter Pitsch, Franklin Park, N.J.**

[73] **Assignee: American Standard Inc., Piscataway, N.J.**

[\*\*] **Term: 14 Years**

[21] **Appl. No.: 29/086,508**

[22] **Filed: Apr. 14, 1998**

[51] **LOC (6) Cl. .... 23-01**

[52] **U.S. Cl. .... D23/238**

[58] **Field of Search .... D23/238-243,  
D23/250-257; 4/675-678; 137/801; D8/300-308**

[56] **References Cited**

**U.S. PATENT DOCUMENTS**

D. 323,877	2/1992	Haug et al. ....	D23/238
D. 325,423	4/1992	Kolada et al. ....	D23/238
D. 329,685	9/1992	Brattoli et al. ....	D23/238
D. 362,489	9/1995	Moon ....	D23/252
D. 369,208	4/1996	Doughty et al. ....	D23/28
D. 381,066	7/1997	Hill et al. ....	D23/238

3,533,436	10/1970	Parkinson .....	137/359
5,031,657	7/1991	Stairs .....	137/327
5,368,071	11/1994	Hsieh .....	137/625.41
5,660,208	8/1997	Tres Casas .....	137/625.17

**OTHER PUBLICATIONS**

D-23/238 Delta-Delex Faucets Catalog, 1976.

*Primary Examiner*—Louis S. Zarfes

*Assistant Examiner*—Eric Watterson

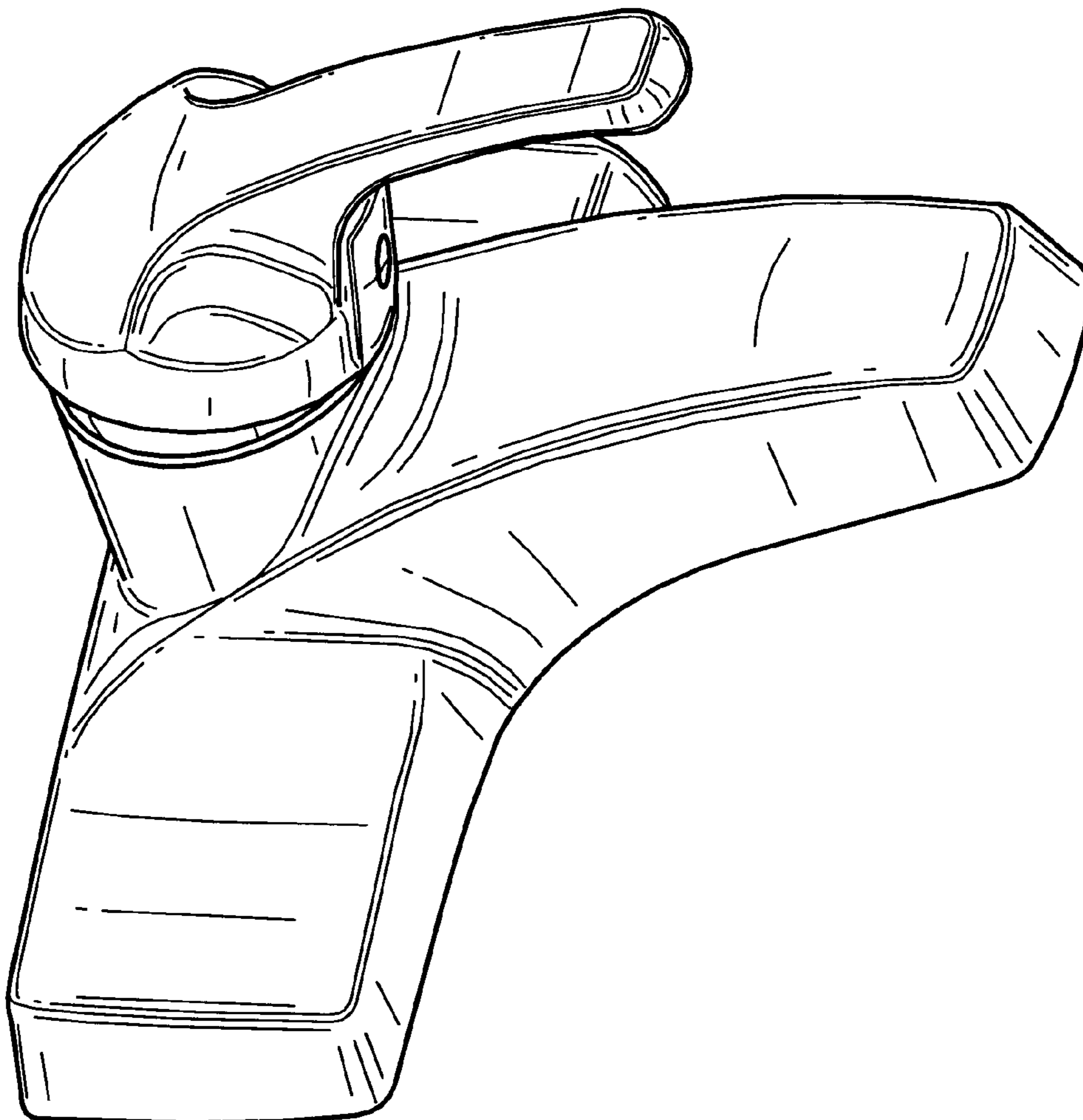
[57] **CLAIM**

The ornamental design for a faucet, as shown and described.

**DESCRIPTION**

FIG. 1 is a top, front, and left side perspective view of a faucet showing my new design;  
FIG. 2 is a front elevational view thereof;  
FIG. 3 is a rear elevational view thereof;  
FIG. 4 is a top plan view thereof;  
FIG. 5 is a bottom plan view thereof; and,  
FIG. 6 is a left side elevational view, the opposite side being a mirror image thereof.

**1 Claim, 6 Drawing Sheets**



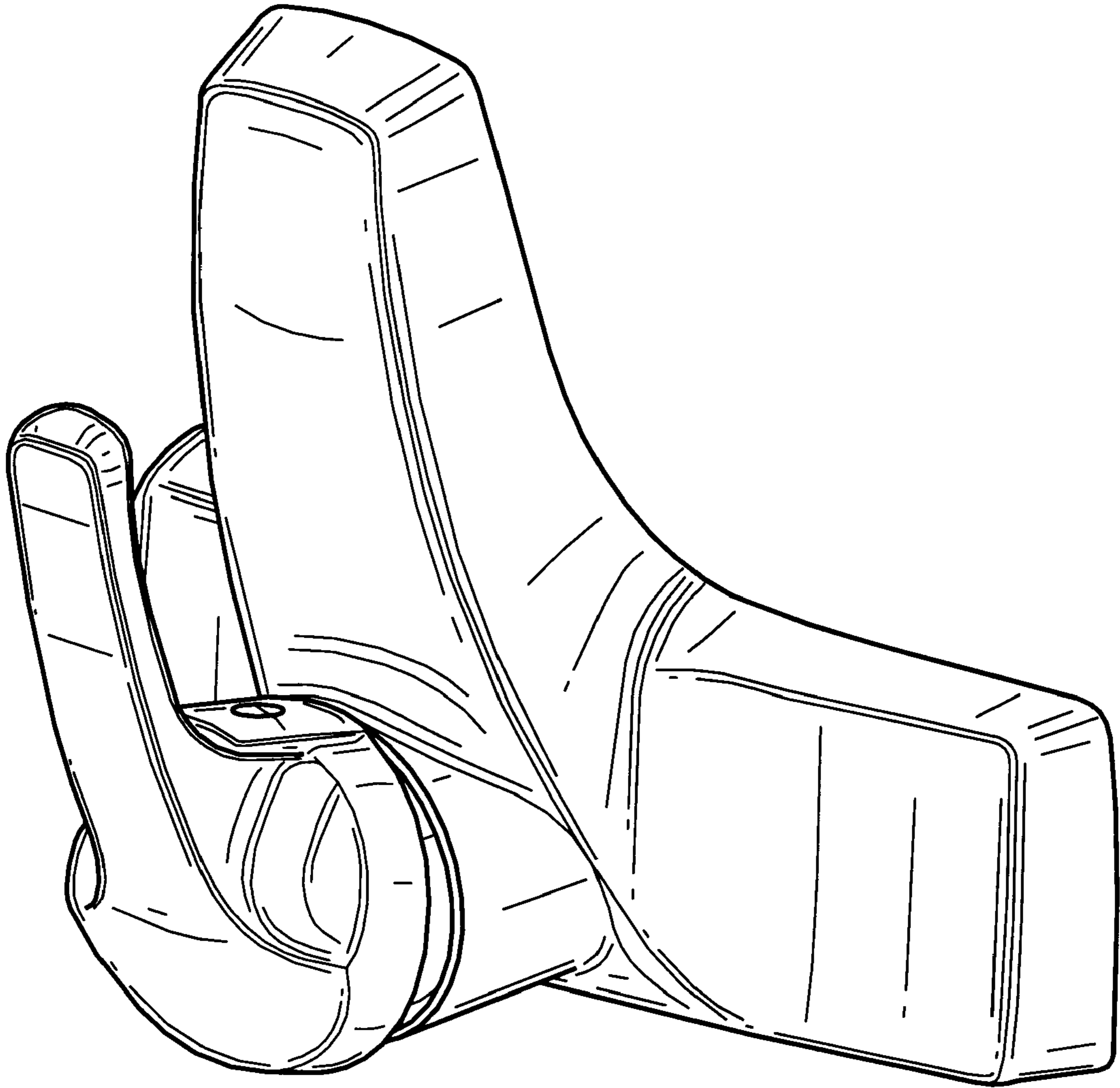


FIG. 1

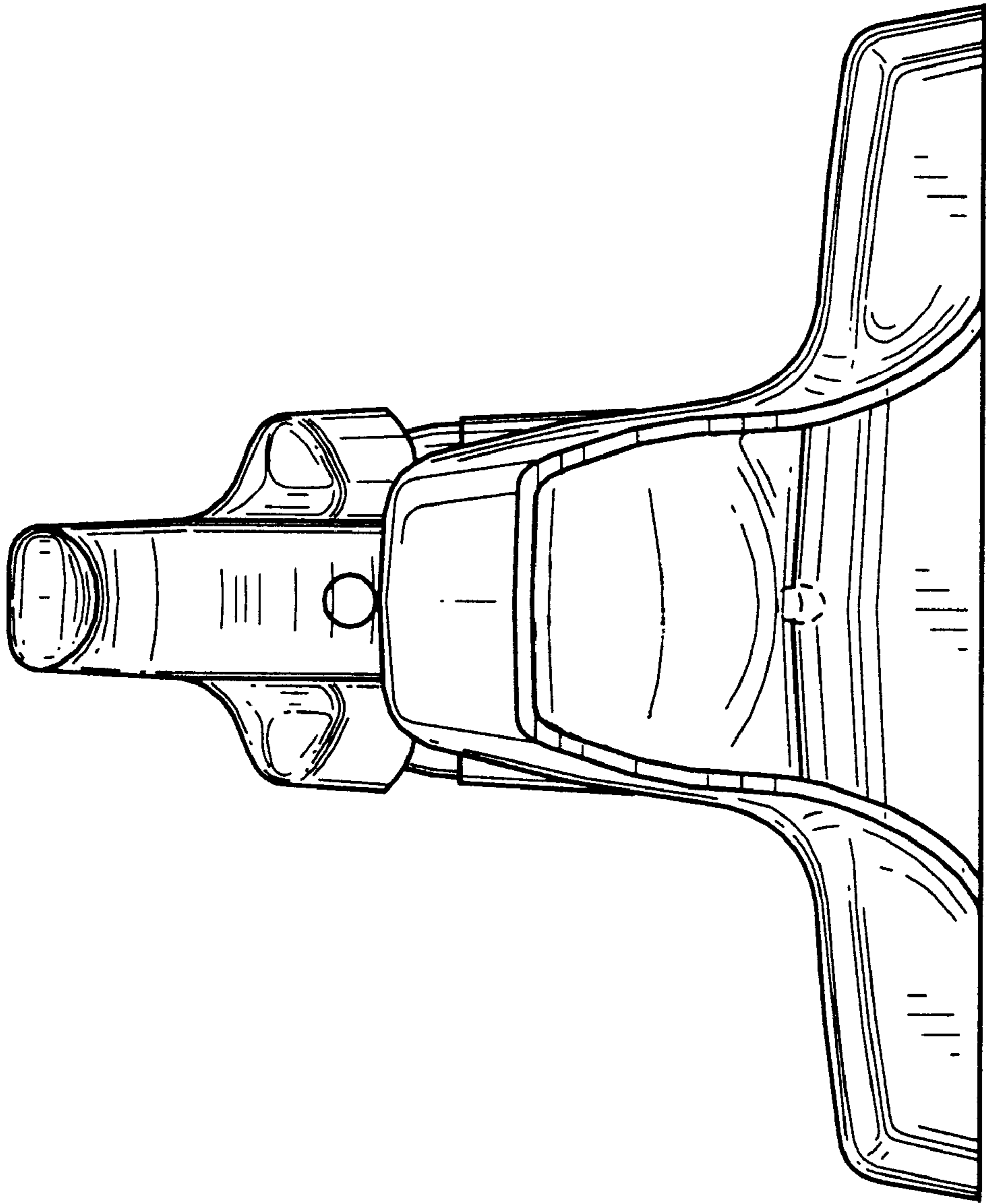


FIG. 2

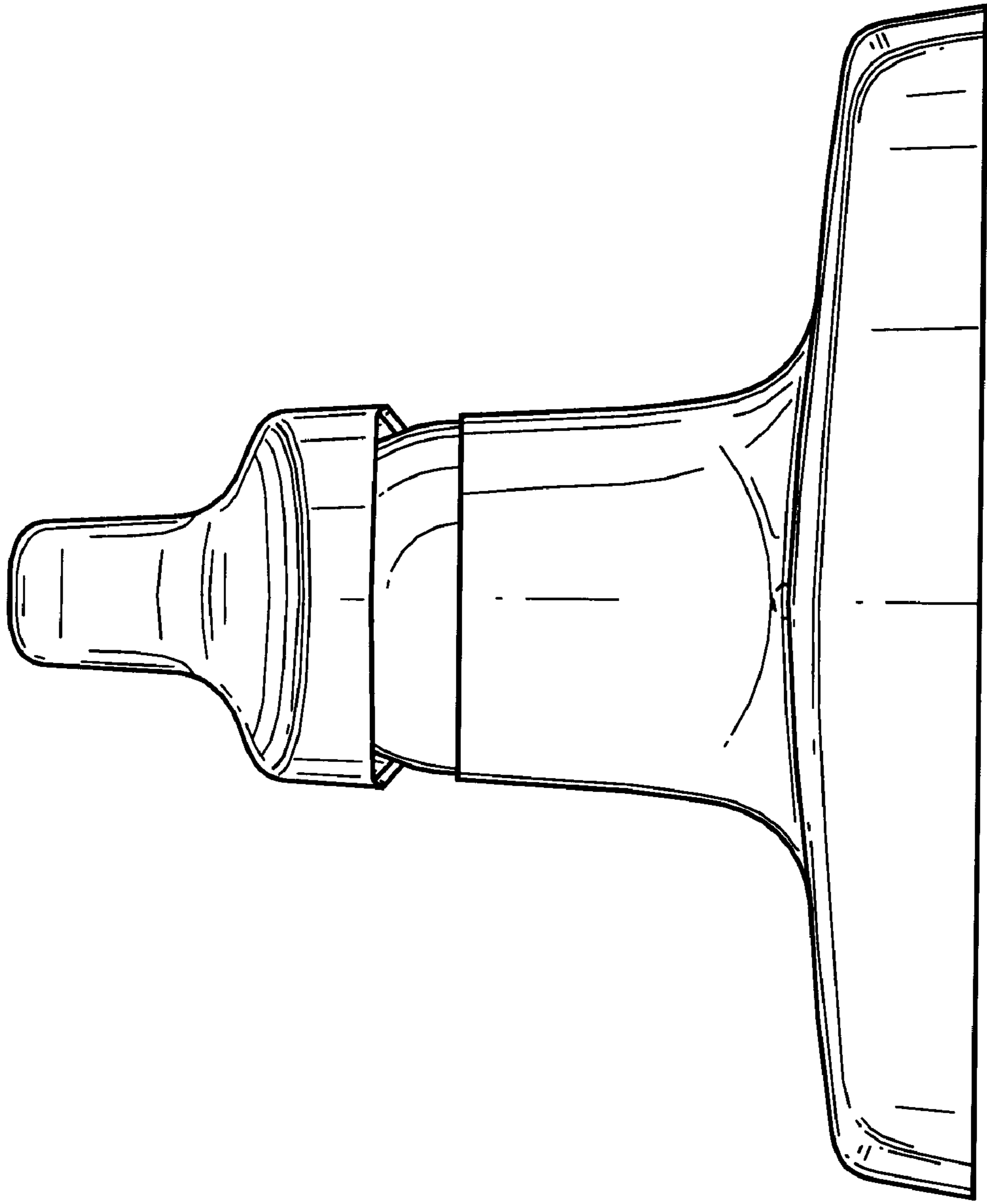


FIG. 3

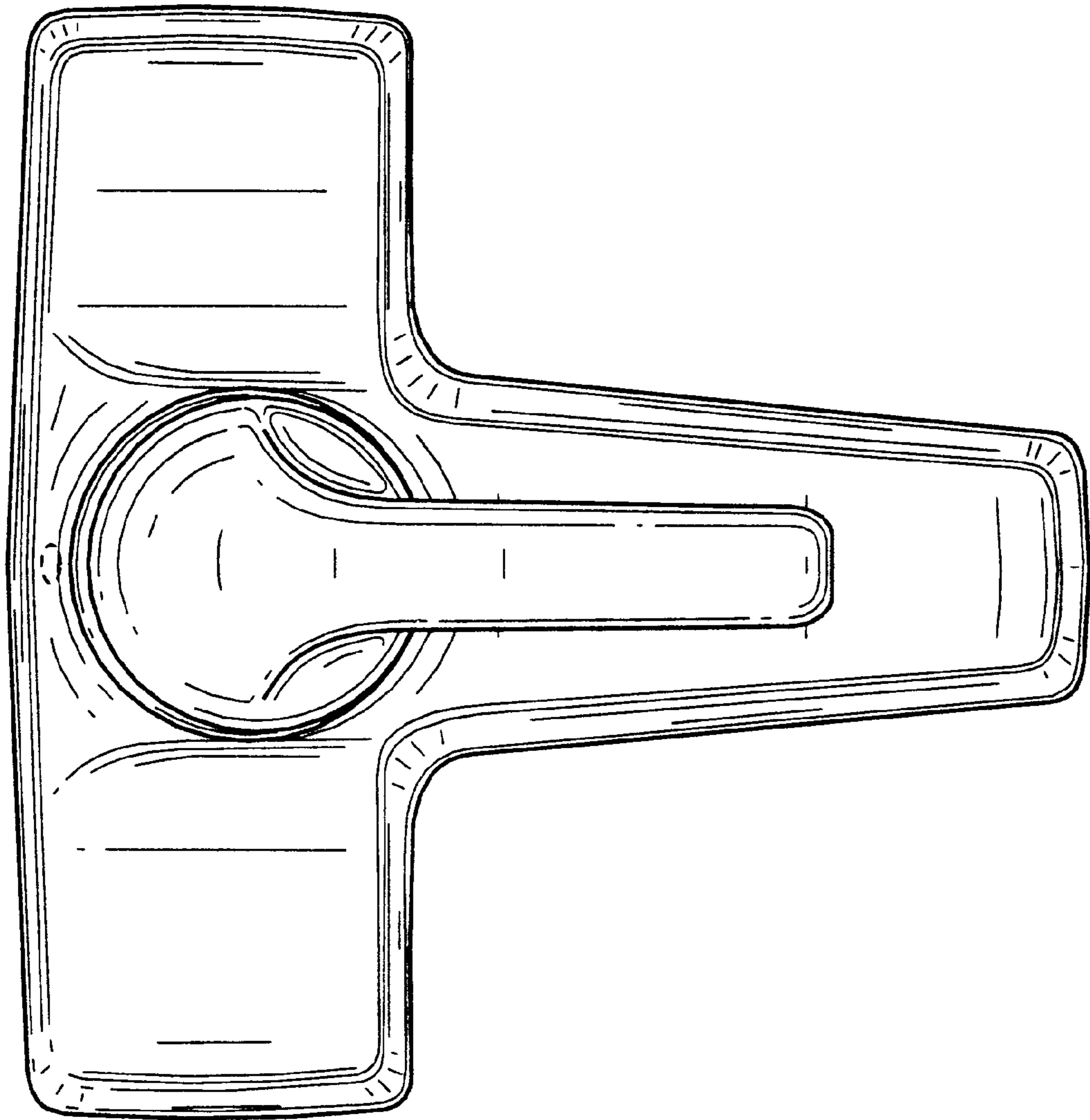


FIG. 4

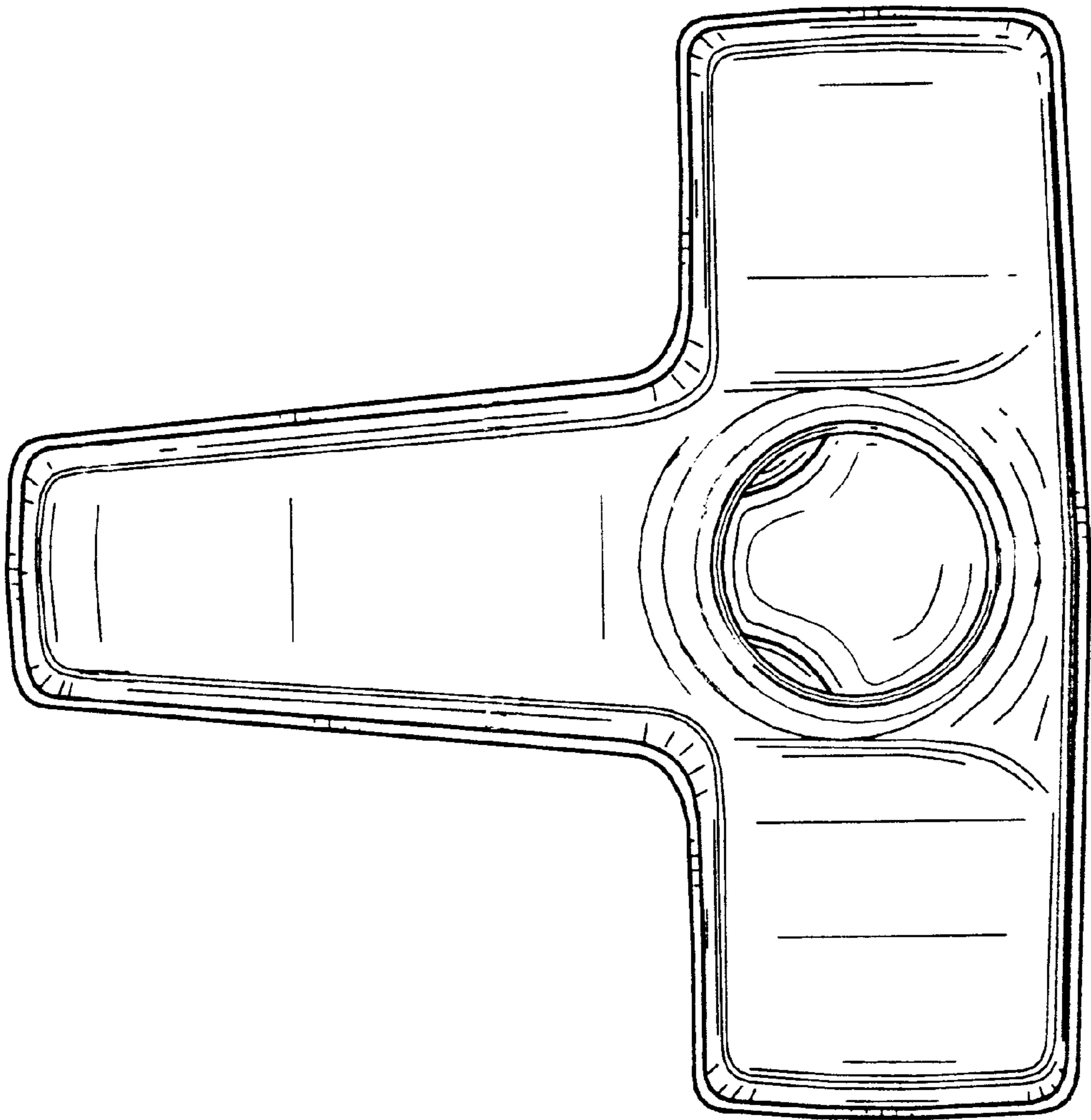


FIG. 5

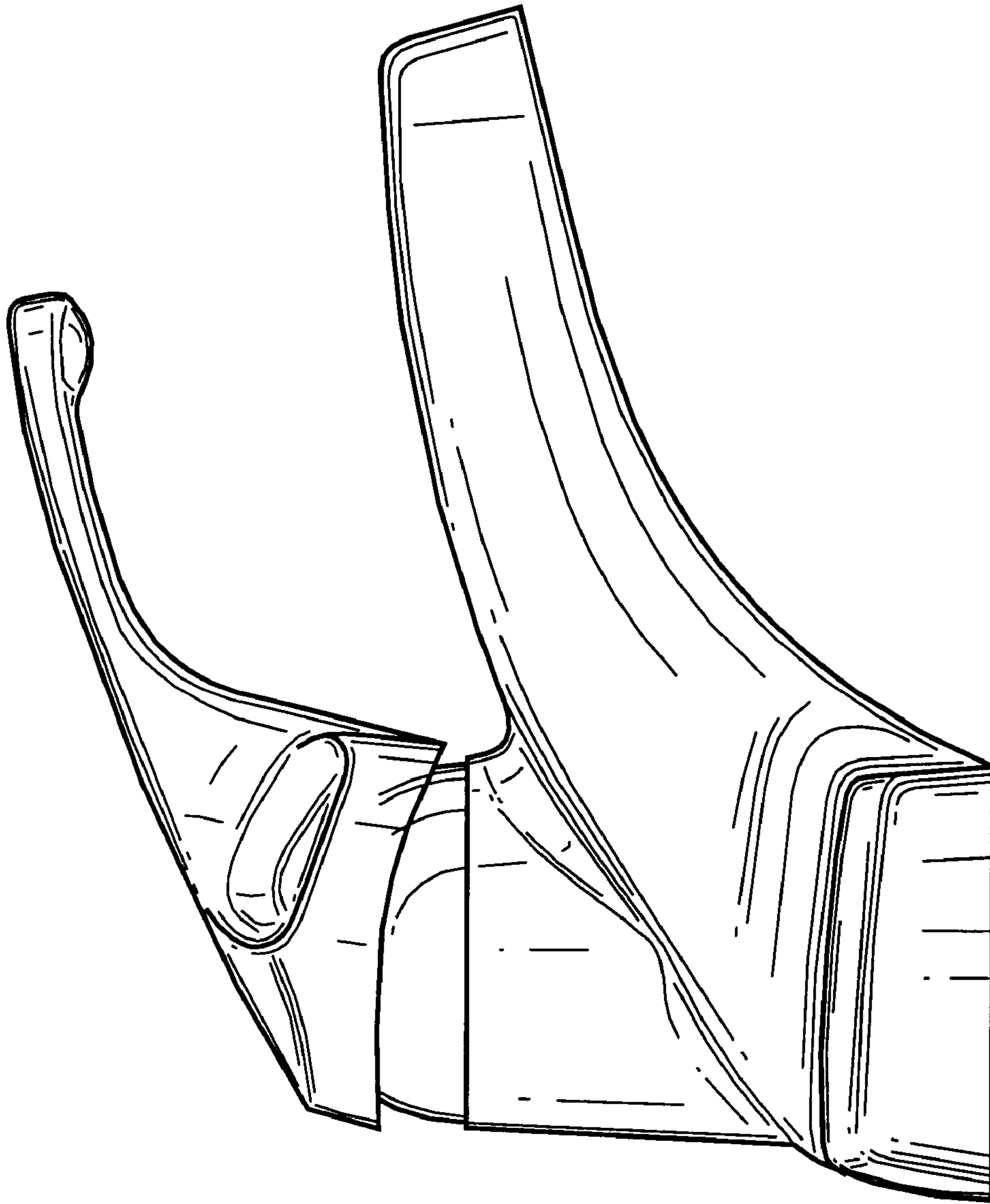


FIG. 6