



US00D409278S

United States Patent [19]

Hayashi et al.

[11] Patent Number: **Des. 409,278**

[45] Date of Patent: ***** May 4, 1999**

[54] **ELECTROMAGNETIC VALVE**

[75] Inventors: **Bunya Hayashi; Masaru Narita**, both of Yawara-mura, Japan

[73] Assignee: **SMC Corporation**, Tokyo, Japan

[*] Notice: This patent is subject to a terminal disclaimer.

[**] Term: **14 Years**

[21] Appl. No.: **29/057,787**

[22] Filed: **Jul. 31, 1996**

[30] Foreign Application Priority Data

Feb. 9, 1996 [JP] Japan 8-3239

[51] **LOC (6) Cl.** **23-01**

[52] **U.S. Cl.** **D23/233**

[58] **Field of Search** D23/233; D15/7; 137/269, 271, 884

[56] References Cited

U.S. PATENT DOCUMENTS

- D. 295,050 4/1988 Kanno D15/7
- D. 335,172 4/1993 Tamaki D23/248
- D. 338,258 8/1993 Tamaki D23/248
- 4,402,651 9/1983 Ise 137/271 X

- 5,333,647 8/1994 Fukano et al. 137/884
- 5,459,953 10/1995 Fukano et al. 137/884 X
- 5,462,087 10/1995 Fukano et al. 137/884
- 5,529,088 6/1996 Asou 132/217 X

OTHER PUBLICATIONS

CENS Taiwan Hardware Aug. 1995; p. 128—valves indicated by arrows.

Primary Examiner—Ted Shooman

Assistant Examiner—C Tuttle

Attorney, Agent, or Firm—Oblon, Spivak, McClelland, Maier & Neustadt, P.C.

[57] CLAIM

The ornamental design for electromagnetic valve, as shown.

DESCRIPTION

FIG. 1 is a top, front and left side perspective view of electromagnetic valve showing our new design;

FIG. 2 is a bottom, rear and left side perspective view thereof;

FIG. 3 is a front elevational view thereof;

FIG. 4 is a rear elevational view thereof;

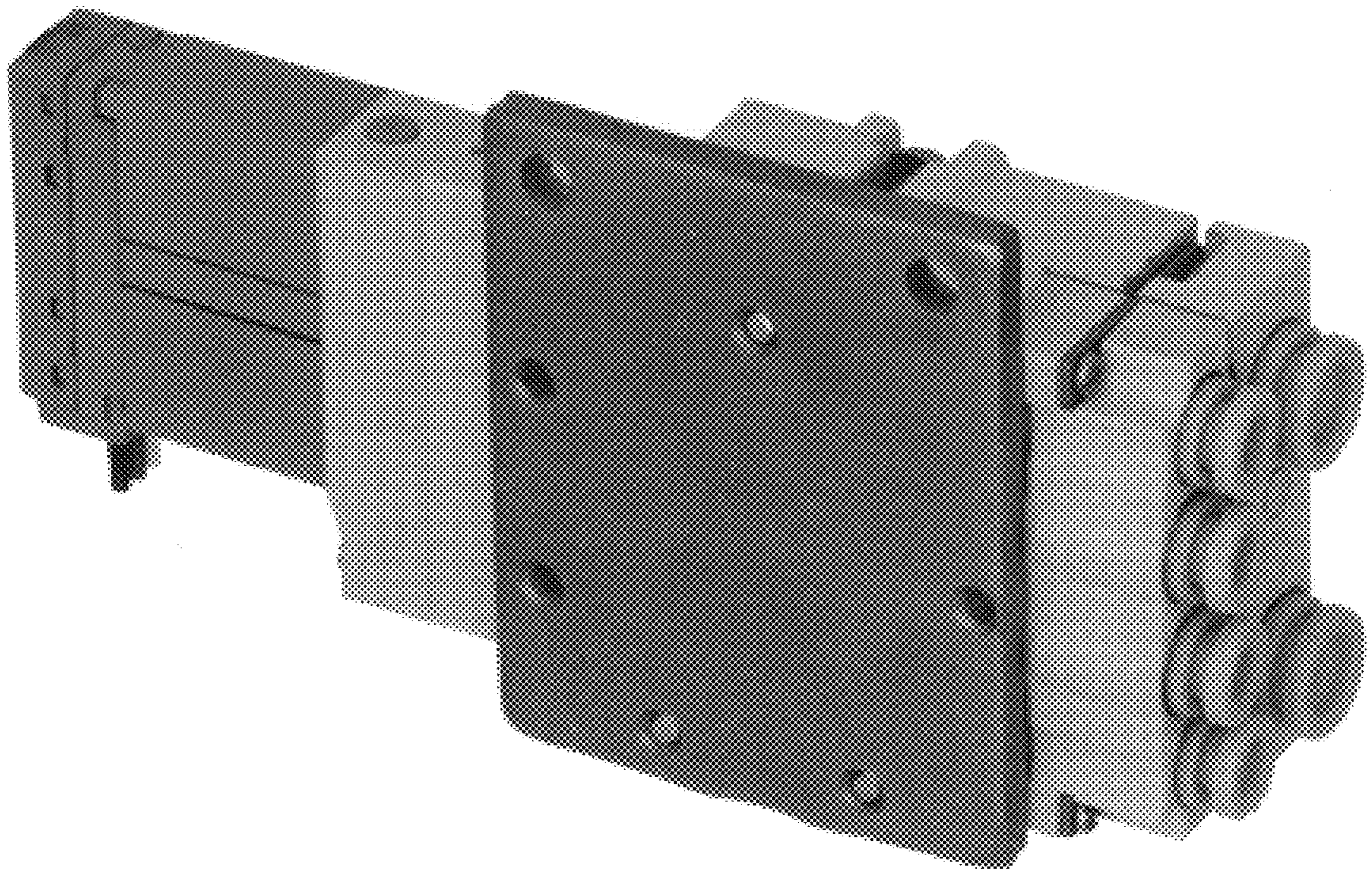
FIG. 5 is a left side view thereof;

FIG. 6 is a right side view thereof;

FIG. 7 is a top plan view thereof; and,

FIG. 8 is a bottom plan view thereof.

1 Claim, 4 Drawing Sheets



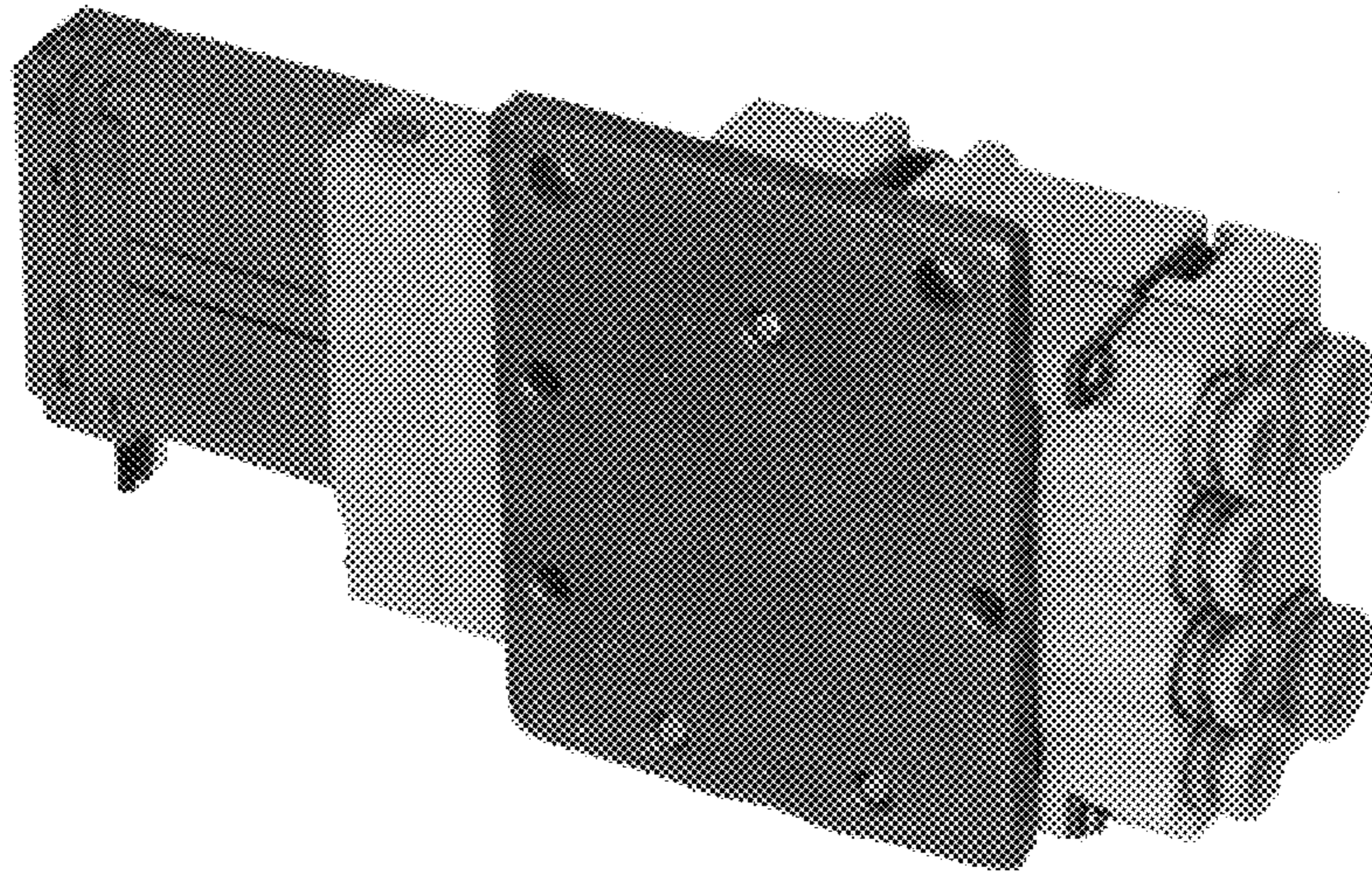


FIG. 1

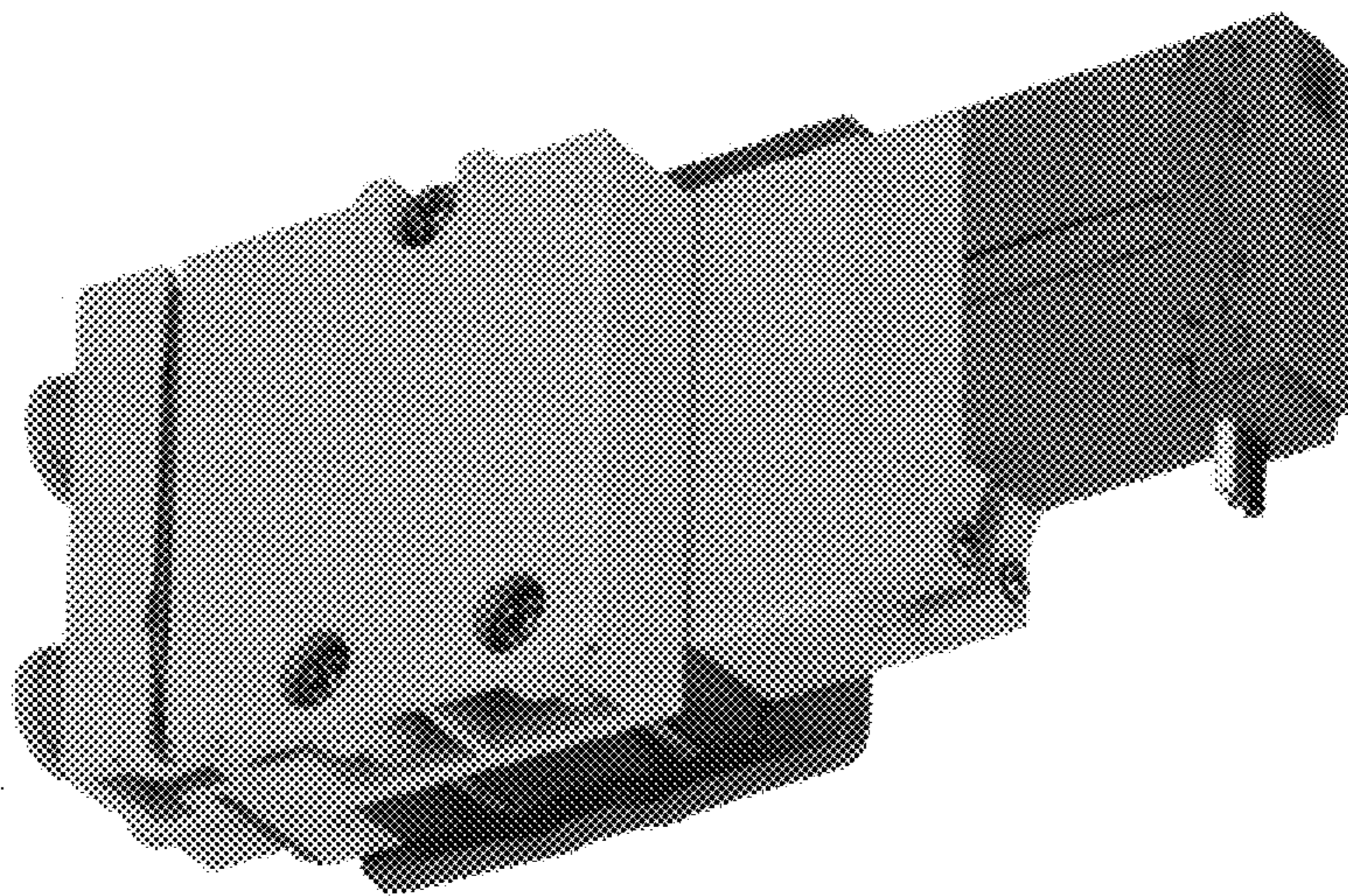


FIG. 2

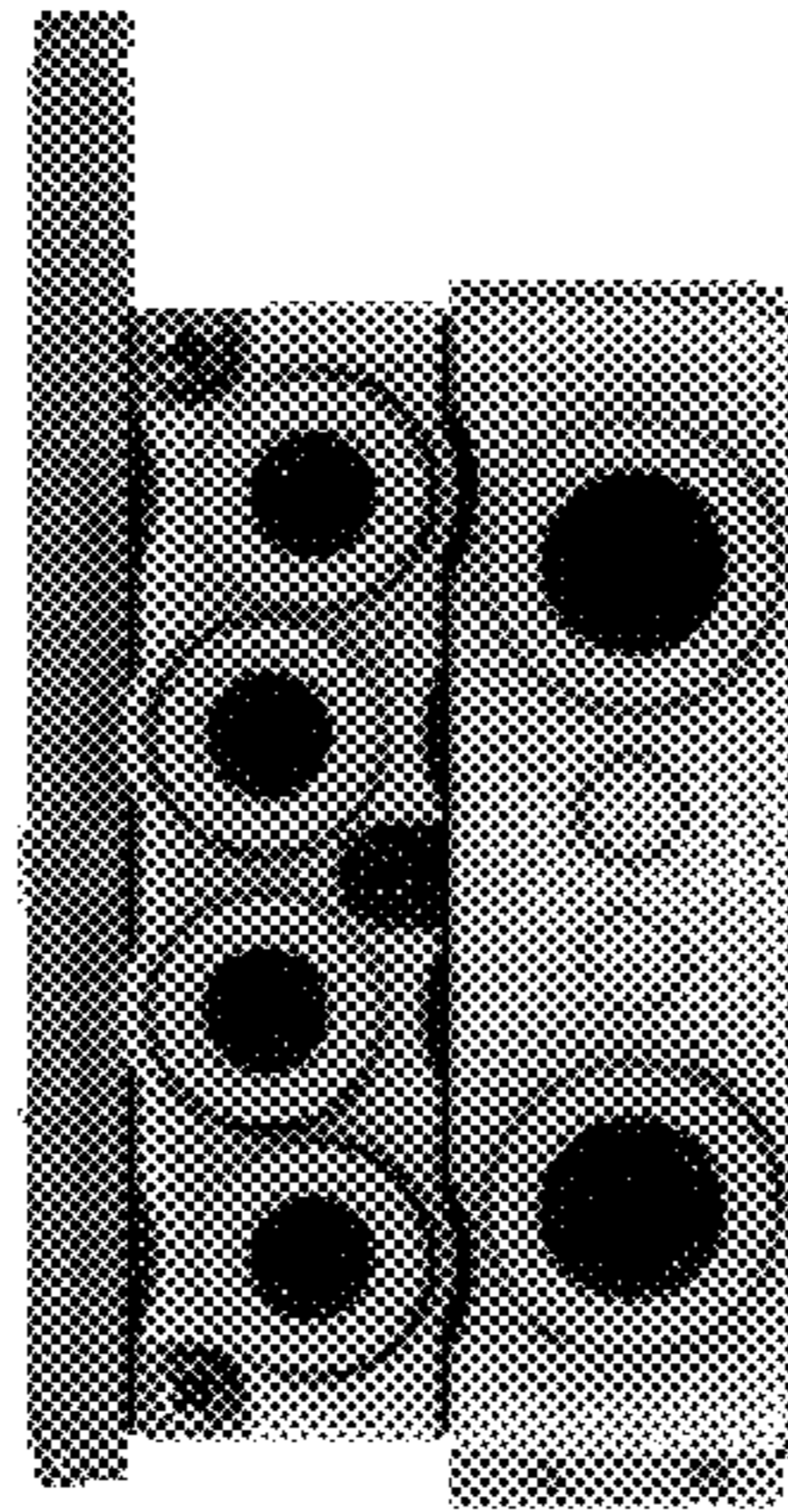


FIG. 3

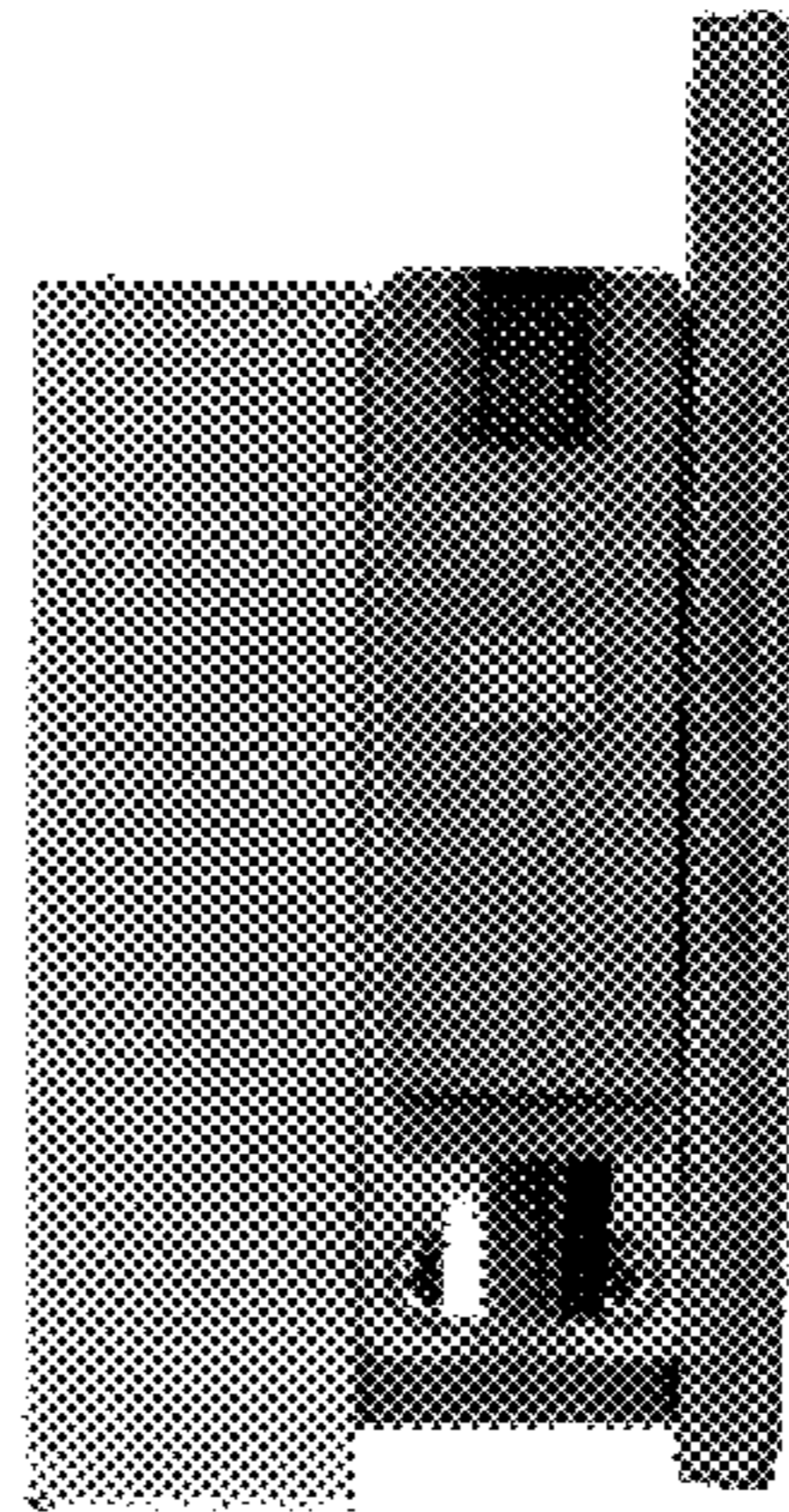


FIG. 4

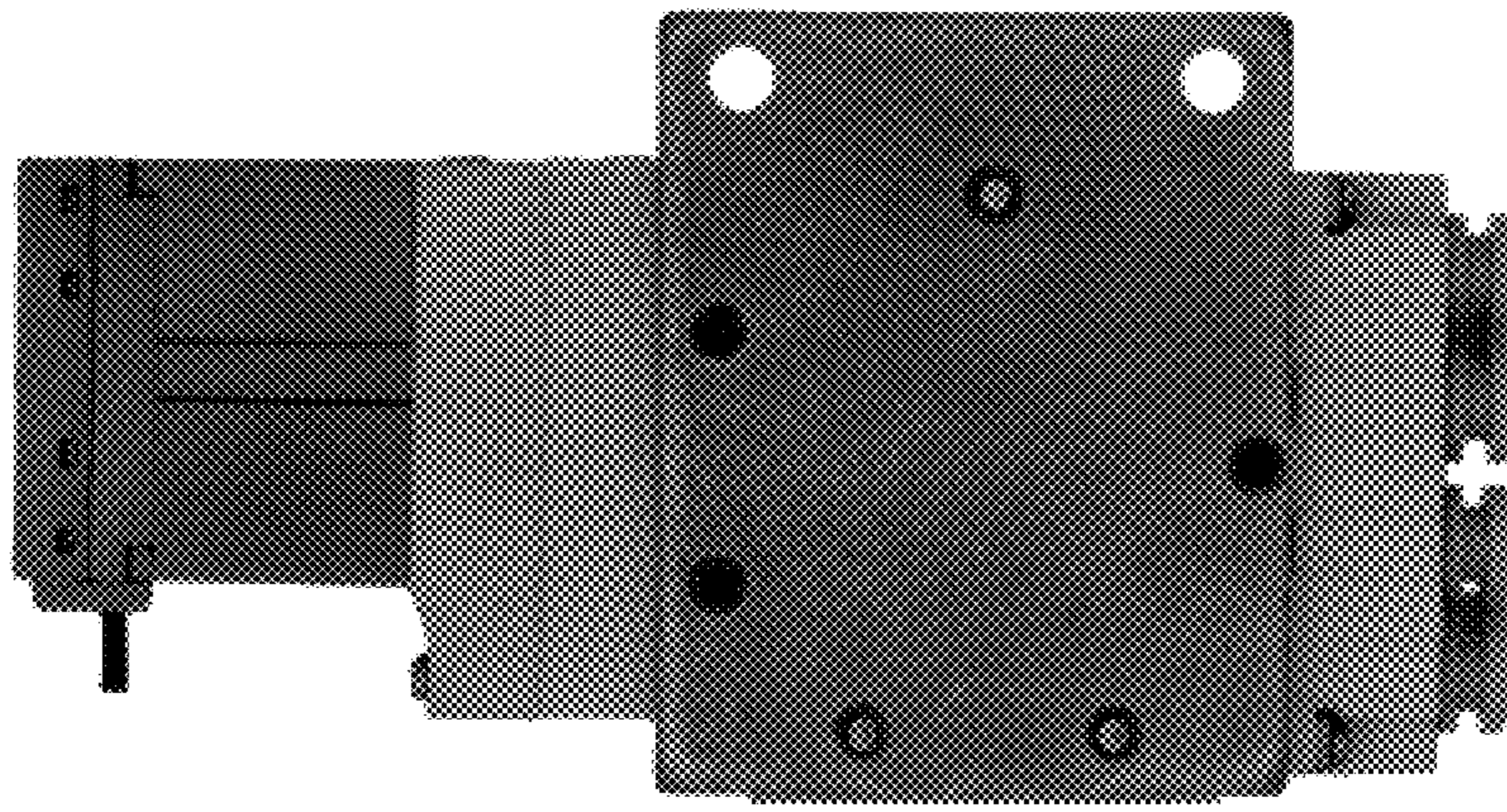


FIG. 5

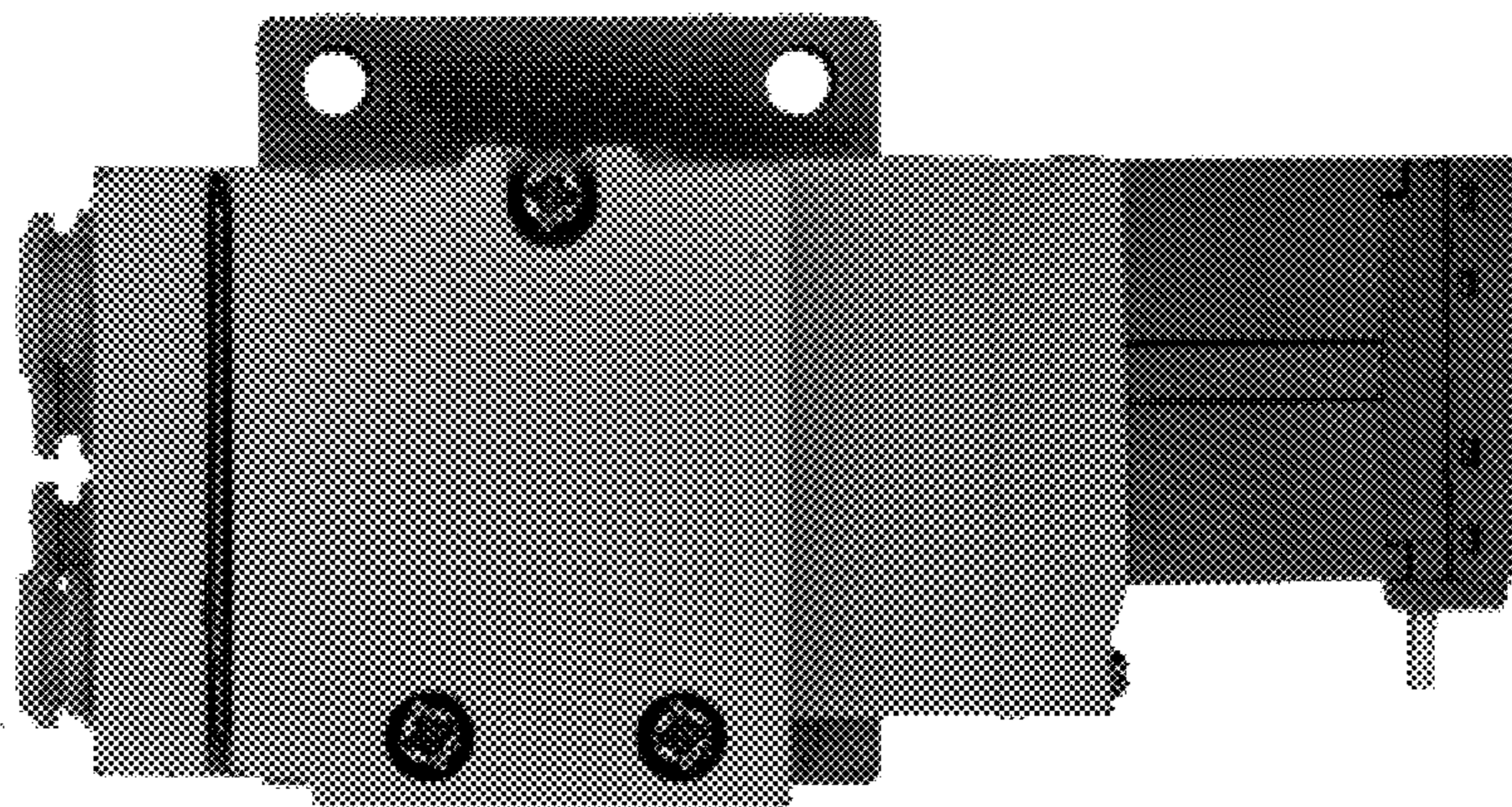


FIG. 6



FIG. 7

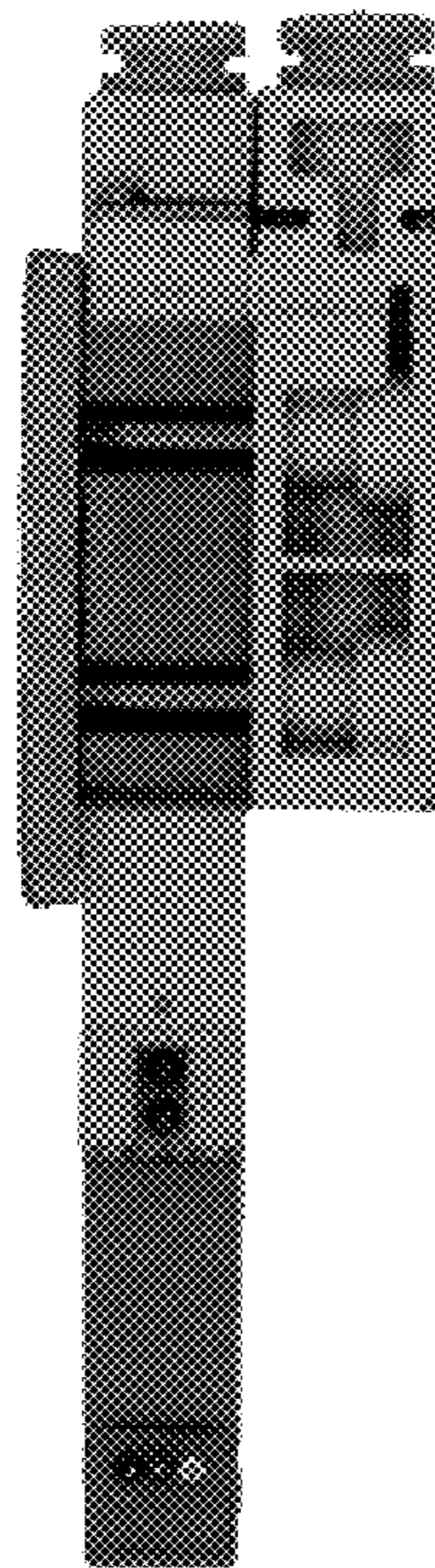


FIG. 8