



US00D409277S

United States Patent [19] Gottwald

[11] Patent Number: **Des. 409,277**

[45] Date of Patent: **** May 4, 1999**

[54] **WATER DISCHARGE NOZZLE**

D. 295,889	5/1988	Haug et al.	D23/229
D. 325,770	4/1992	Haug et al.	D23/213
4,346,844	8/1982	Harmony	239/460

[75] Inventor: **Adolf Gottwald**, Iserlohn, Germany

[73] Assignee: **Friedrich Grohe AG**, Hemer, Germany

[**] Term: **14 Years**

Primary Examiner—Alan P. Douglas
Assistant Examiner—Robin V. Taylor
Attorney, Agent, or Firm—Herbert Dubno

[21] Appl. No.: **29/089,850**

[57] **CLAIM**

[22] Filed: **Jun. 24, 1998**

The ornamental design for a water discharge nozzle, as shown and described.

[30] **Foreign Application Priority Data**

DESCRIPTION

Feb. 2, 1998 [DE] Germany 98 00 877

[51] **LOC (6) Cl.** **23-01**

FIG. 1 is a front, left-side perspective view of a water discharge nozzle showing my new design;
FIG. 2 is a front view thereof;
FIG. 3 is a bottom view thereof;
FIG. 4 is a right side elevational view thereof, the left side view being mirror symmetrical;
FIG. 5 is a top view thereof; and,
FIG. 6 is a rear view thereof.

[52] **U.S. Cl.** **D23/229**

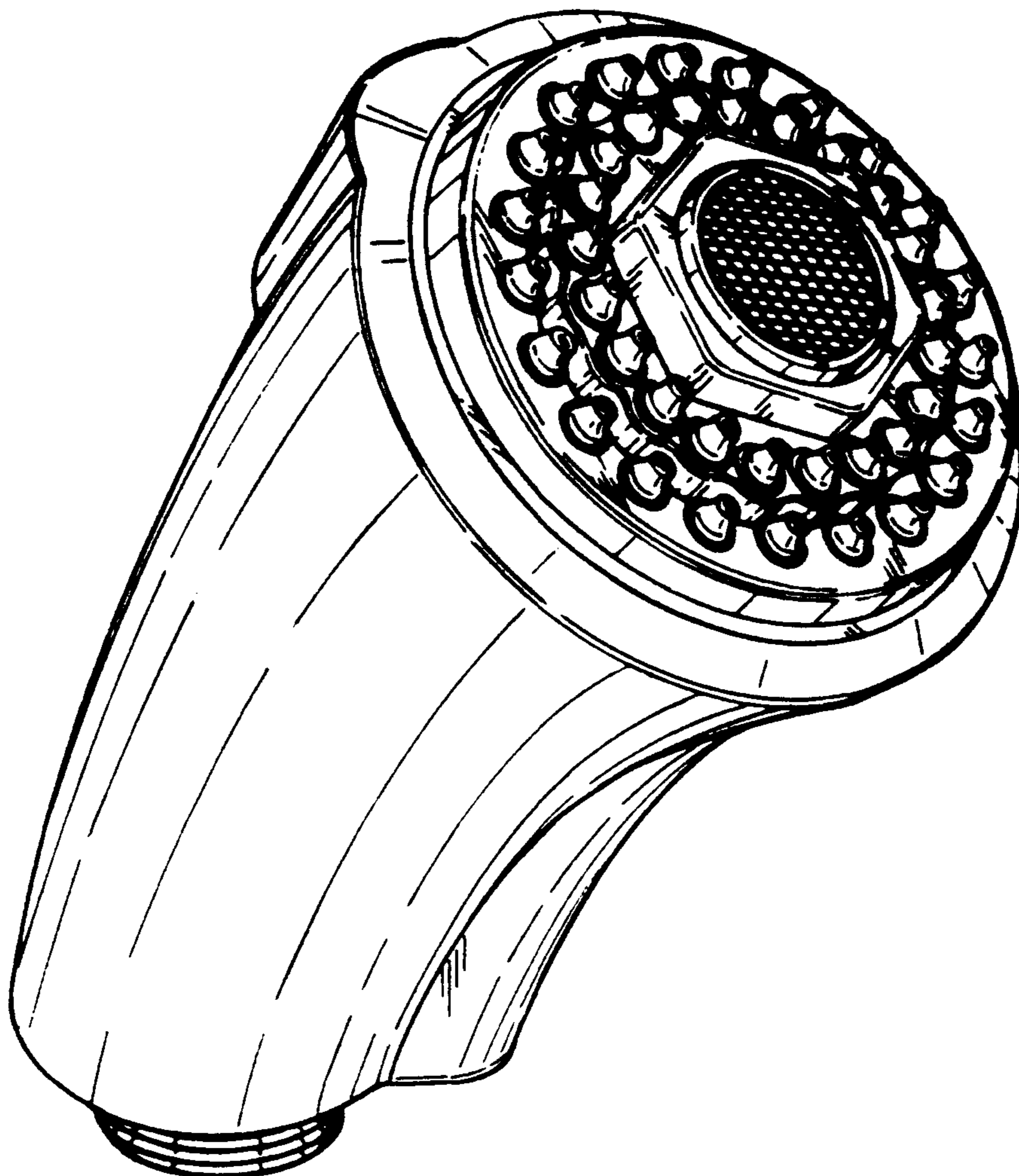
[58] **Field of Search** D23/213, 229,
D23/230; 239/414, 415, 460-462

[56] **References Cited**

U.S. PATENT DOCUMENTS

D. 282,198 1/1986 Shames et al. D23/229

1 Claim, 3 Drawing Sheets



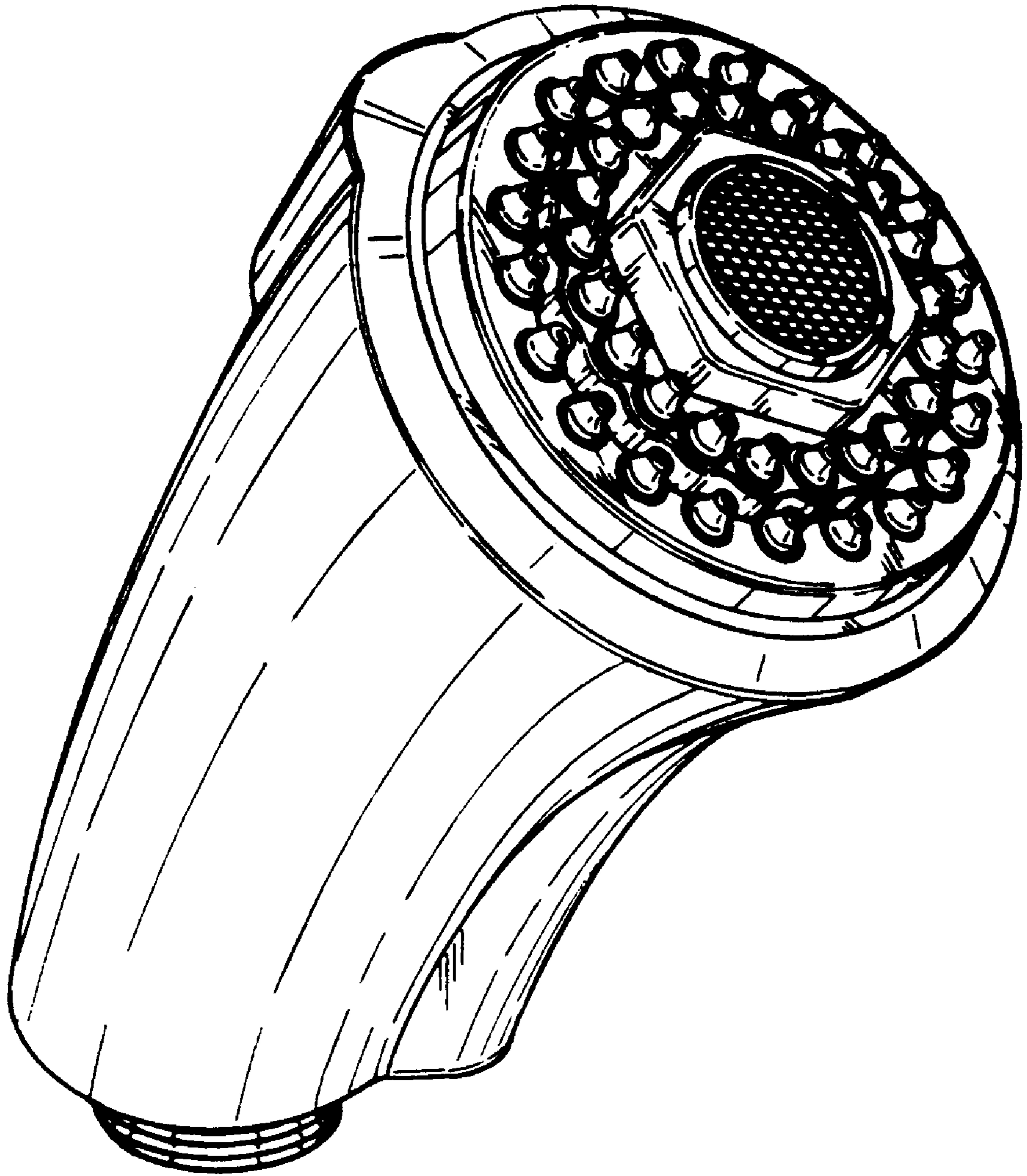


FIG. 1

FIG. 2

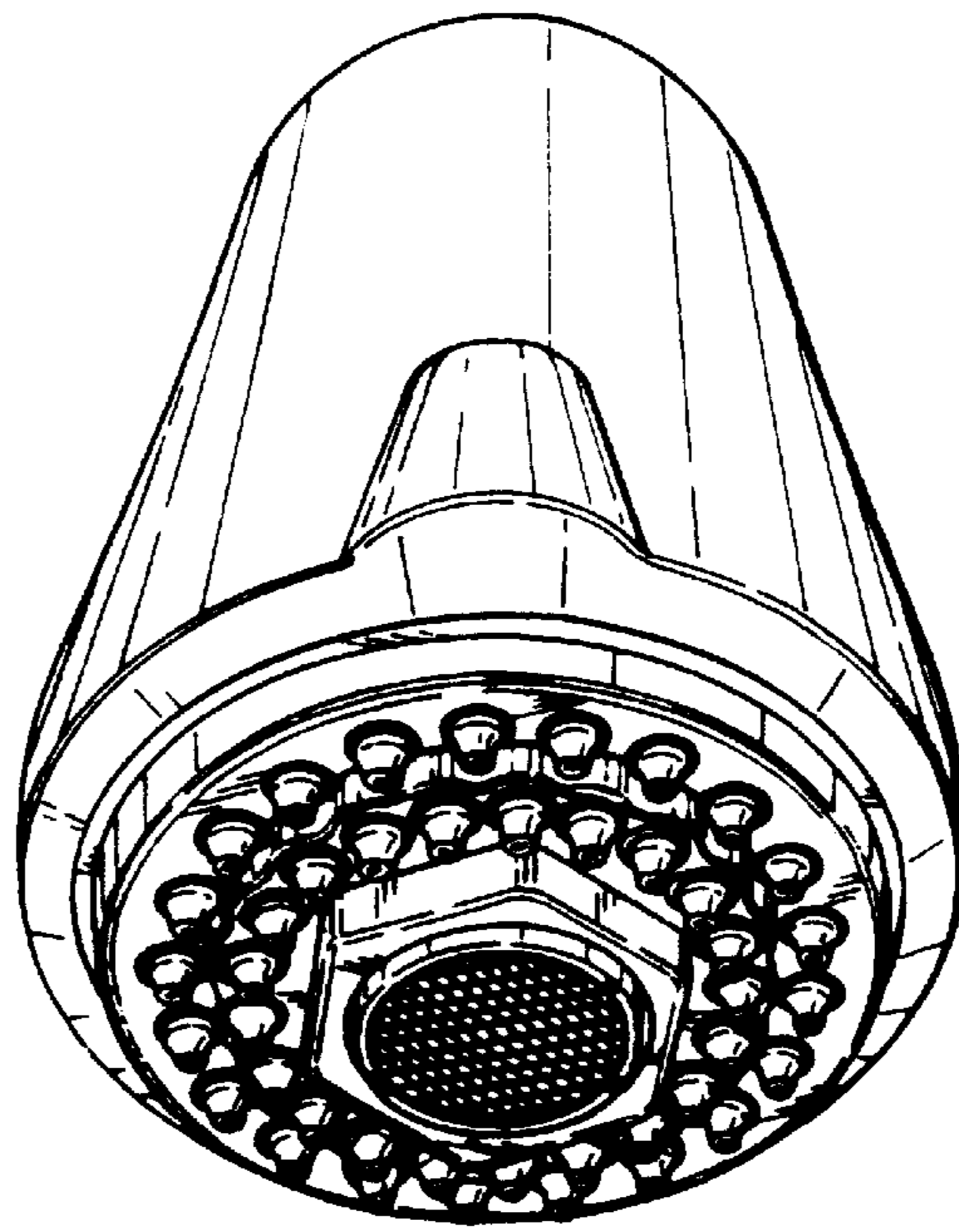
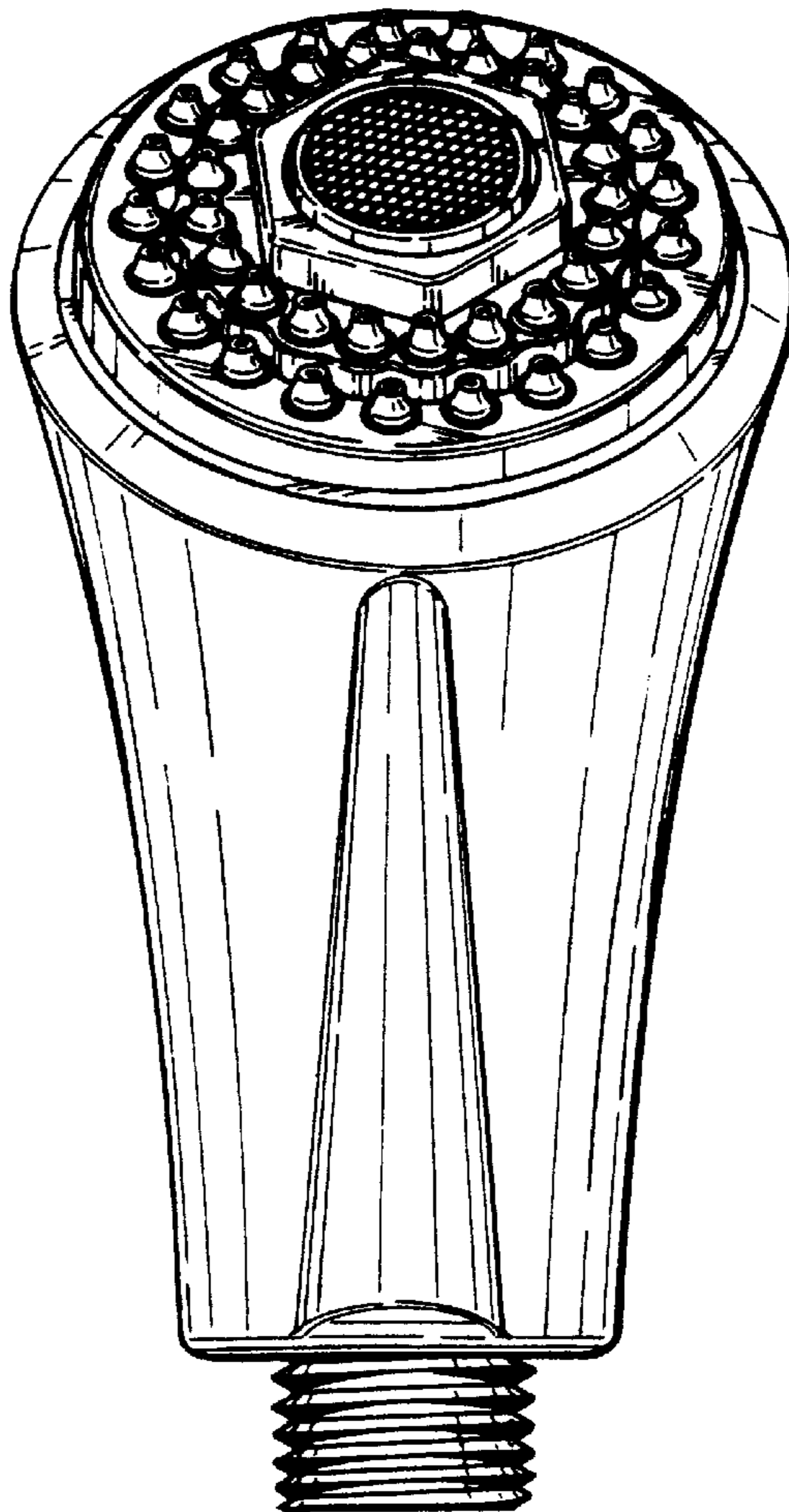


FIG. 3



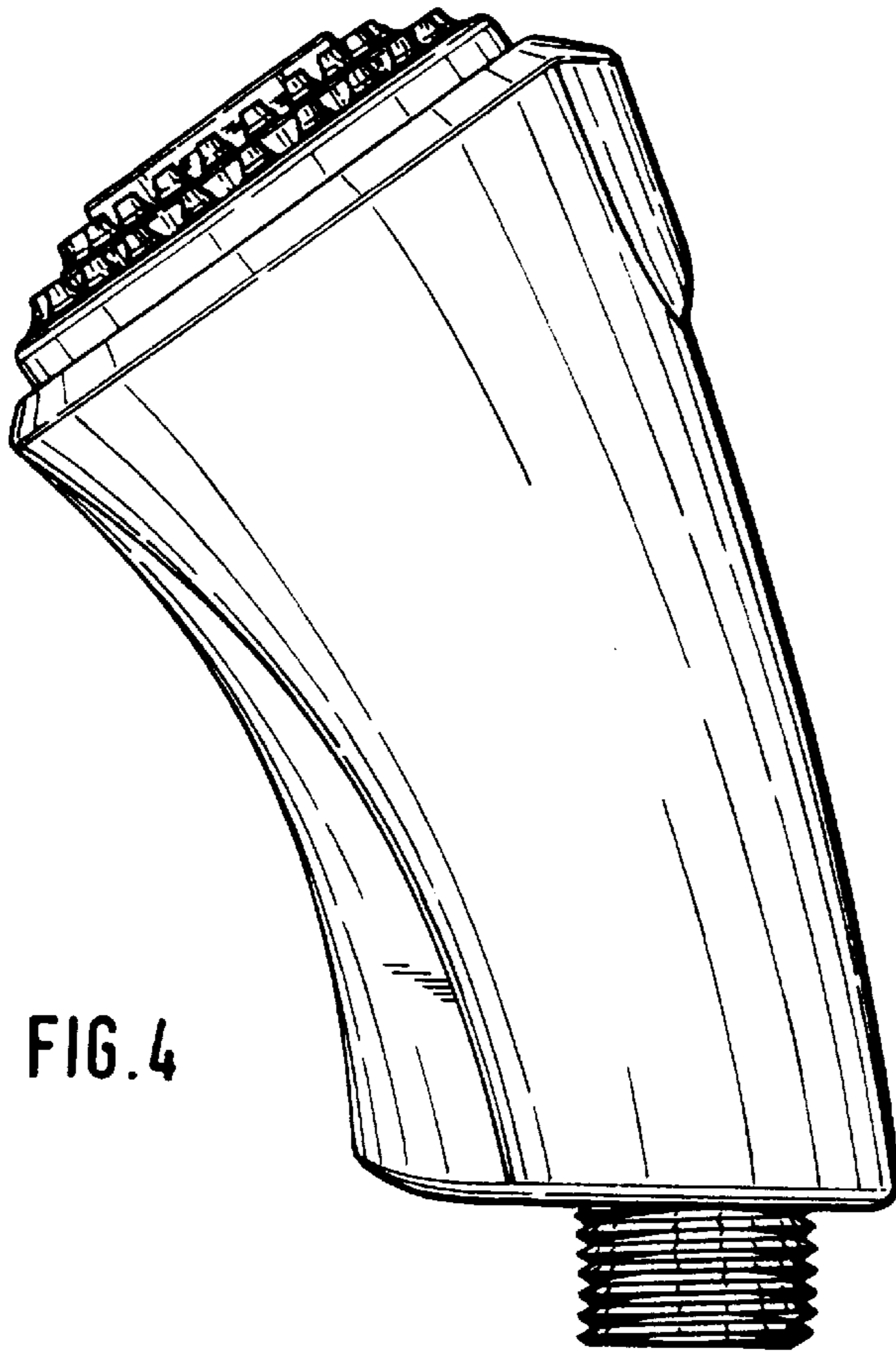


FIG. 4

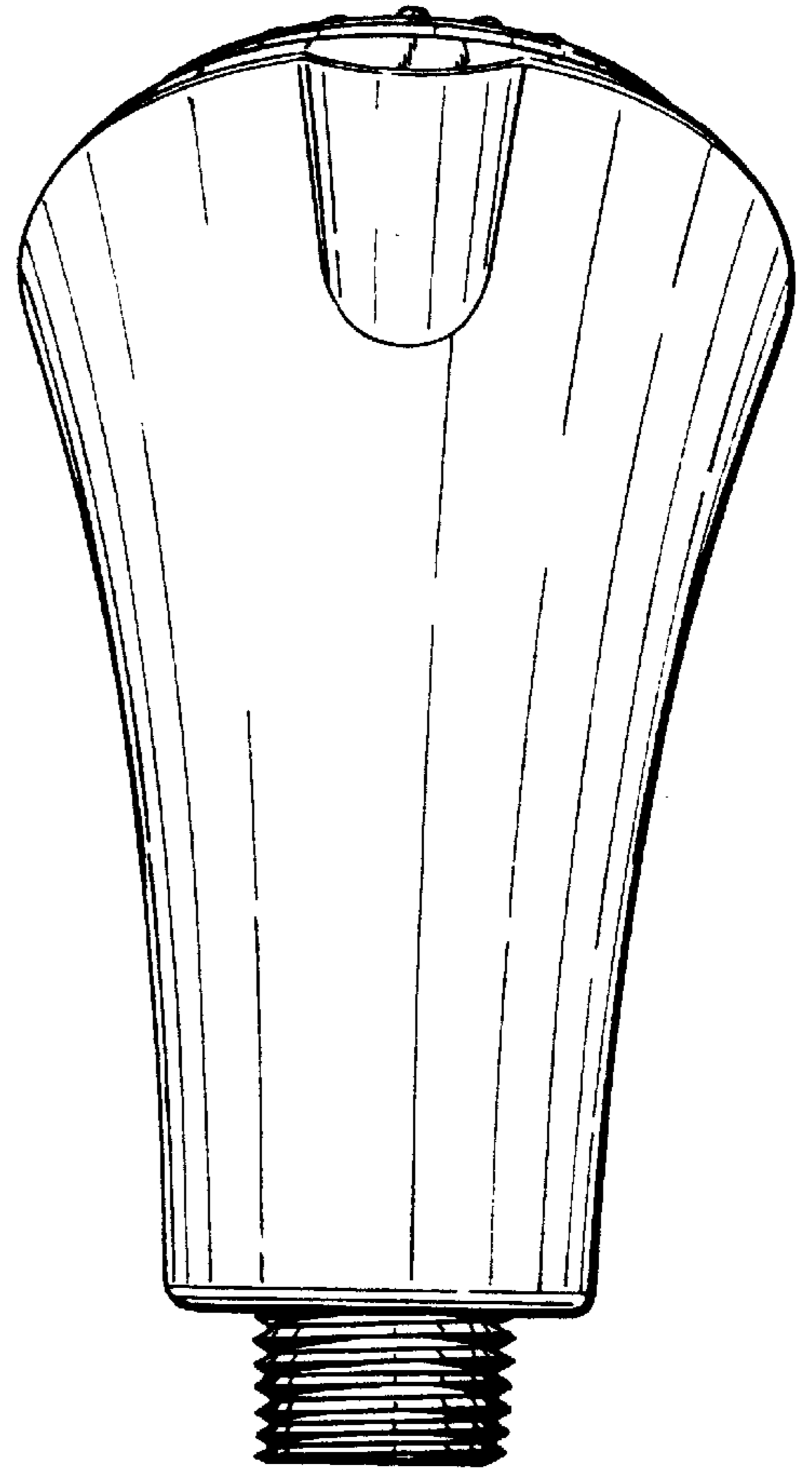


FIG. 5

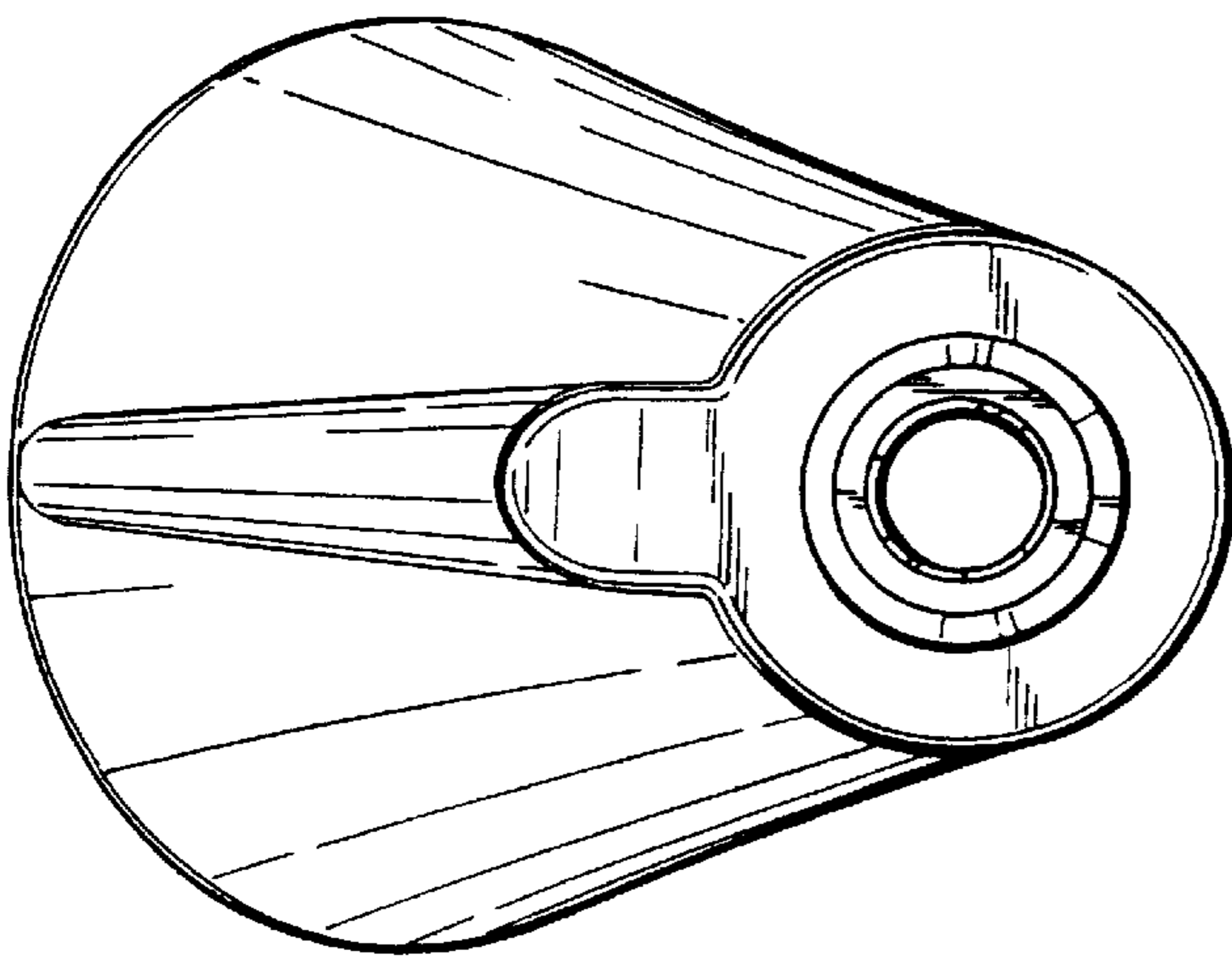


FIG. 6