



US00D409275S

United States Patent [19] Wang

[11] Patent Number: **Des. 409,275**

[45] Date of Patent: **** May 4, 1999**

[54] **WATER SPRAY GUN**

D. 369,854 5/1996 Wang D23/223
D. 382,935 8/1997 Wang D23/223

[75] Inventor: **King-Yuan Wang**, Changhua Hsien, Taiwan

Primary Examiner—Alan P. Douglas
Assistant Examiner—Robin V. Taylor
Attorney, Agent, or Firm—Bacon & Thomas, PLLC

[73] Assignee: **Yuan Mei Corp.**, Changhua Hsien, Taiwan

[57] **CLAIM**

[**] Term: **14 Years**

The ornamental design for water spray gun, as shown and described.

[21] Appl. No.: **29/088,575**

DESCRIPTION

[22] Filed: **May 27, 1998**

FIG. 1 is a perspective view of water spray gun showing my new design.

[51] **LOC (6) Cl.** **23-01**

FIG. 2 is a front view thereof;

[52] **U.S. Cl.** **D23/226**

FIG. 3 is a rear view thereof;

[58] **Field of Search** D23/213, 223,
D23/226; 239/525-528, 394

FIG. 4 is a left side view thereof;

FIG. 5 is a right side view thereof;

FIG. 6 is a top view thereof; and,

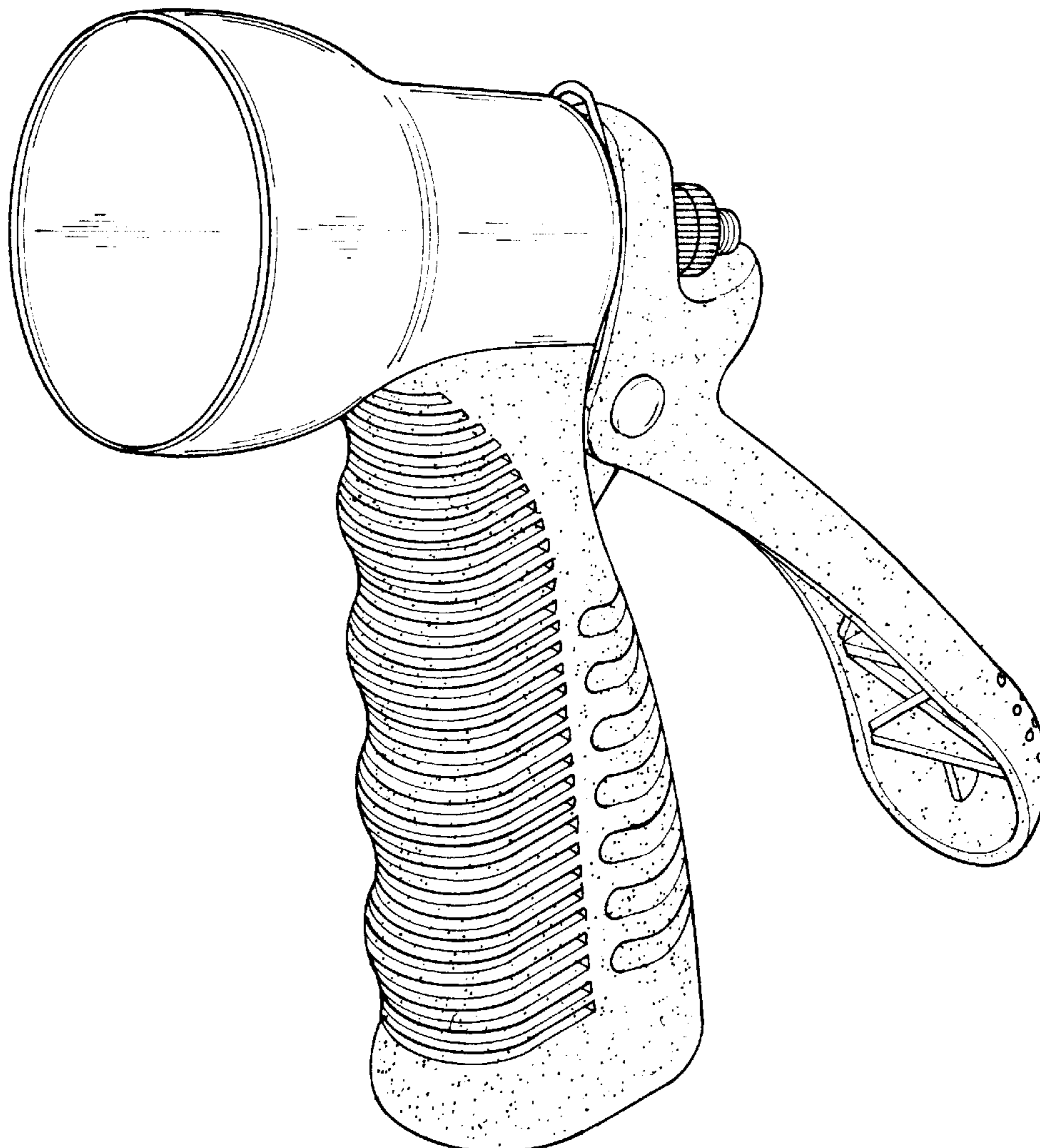
FIG. 7 is a bottom view thereof.

[56] **References Cited**

U.S. PATENT DOCUMENTS

D. 369,853 5/1996 Wang D23/223

1 Claim, 5 Drawing Sheets



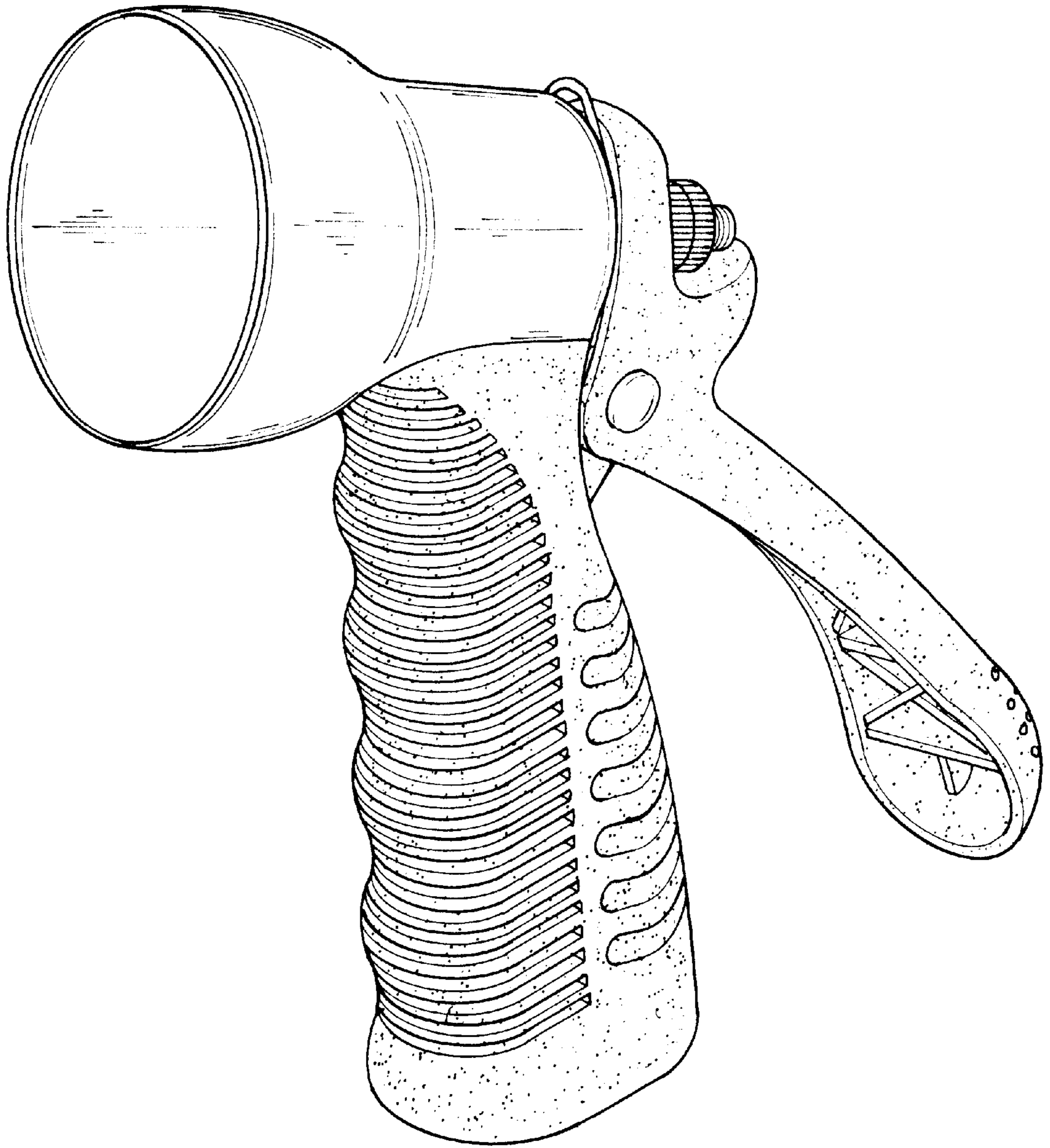


FIG. 1

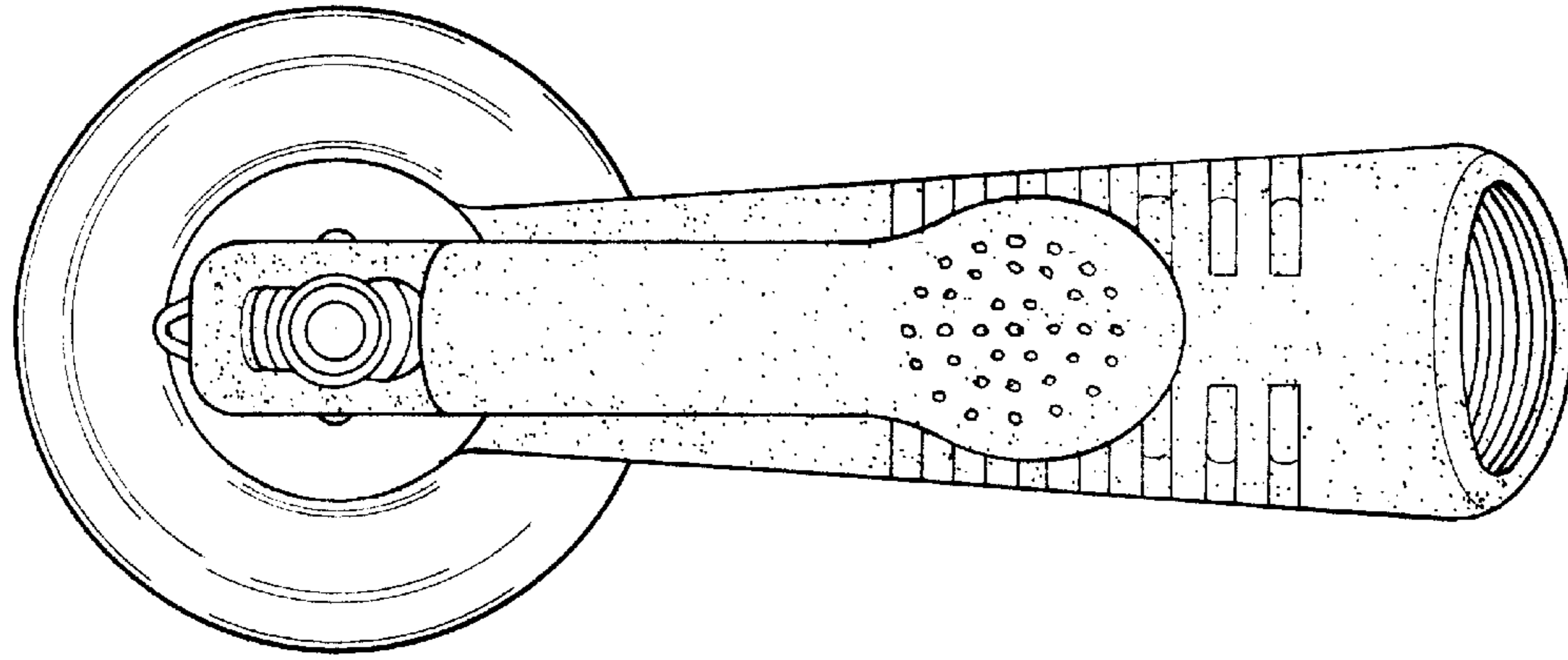


FIG. 3

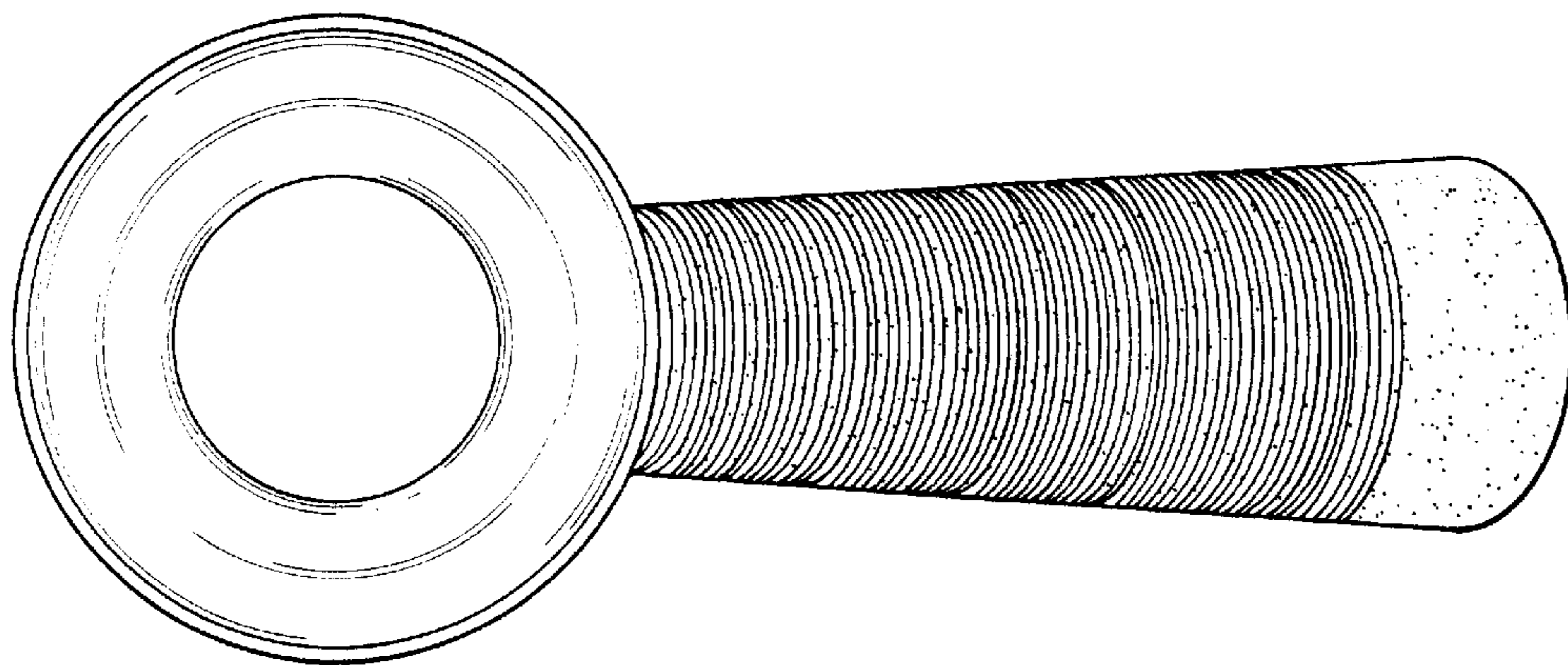


FIG. 2

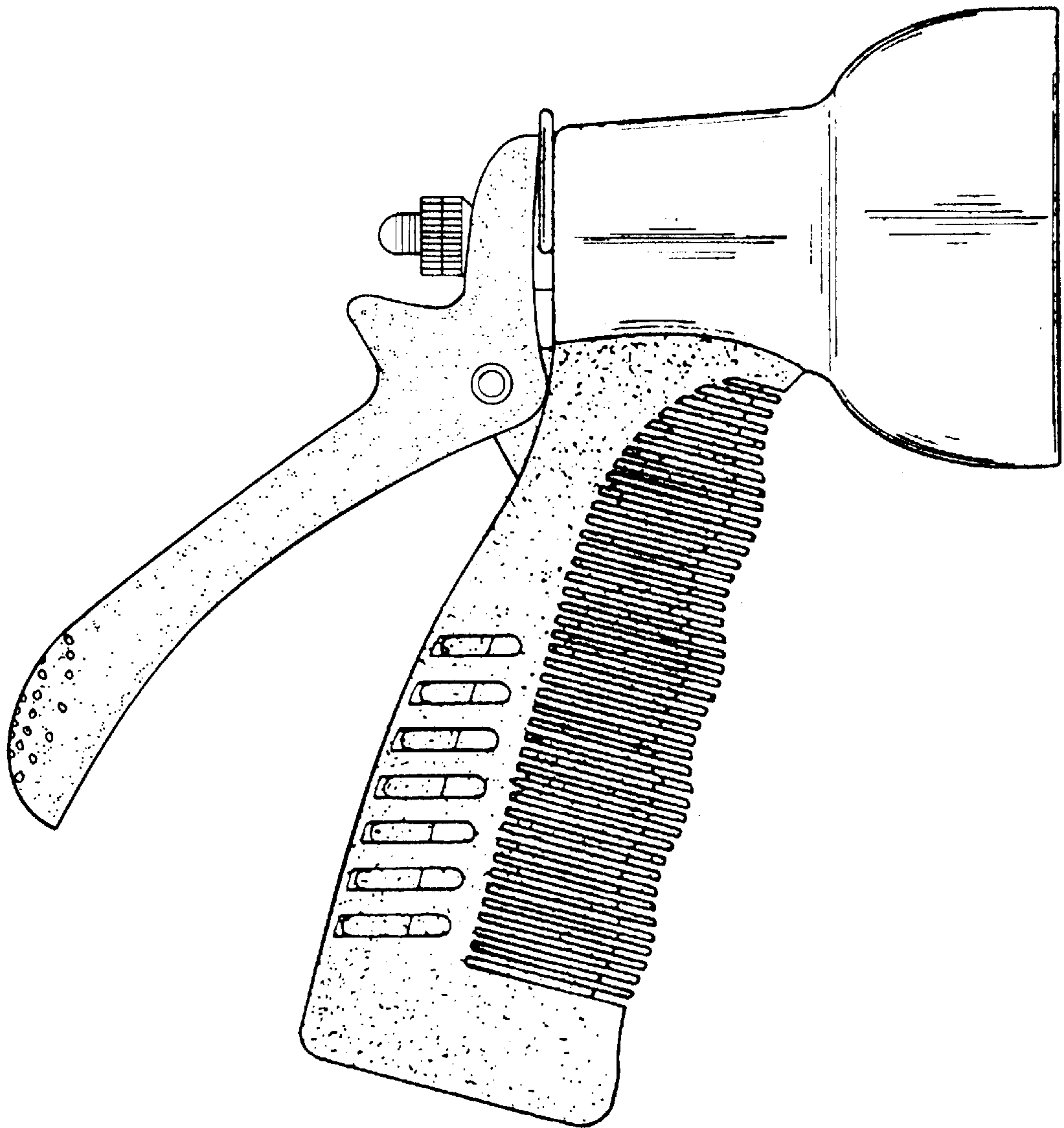


FIG. 4

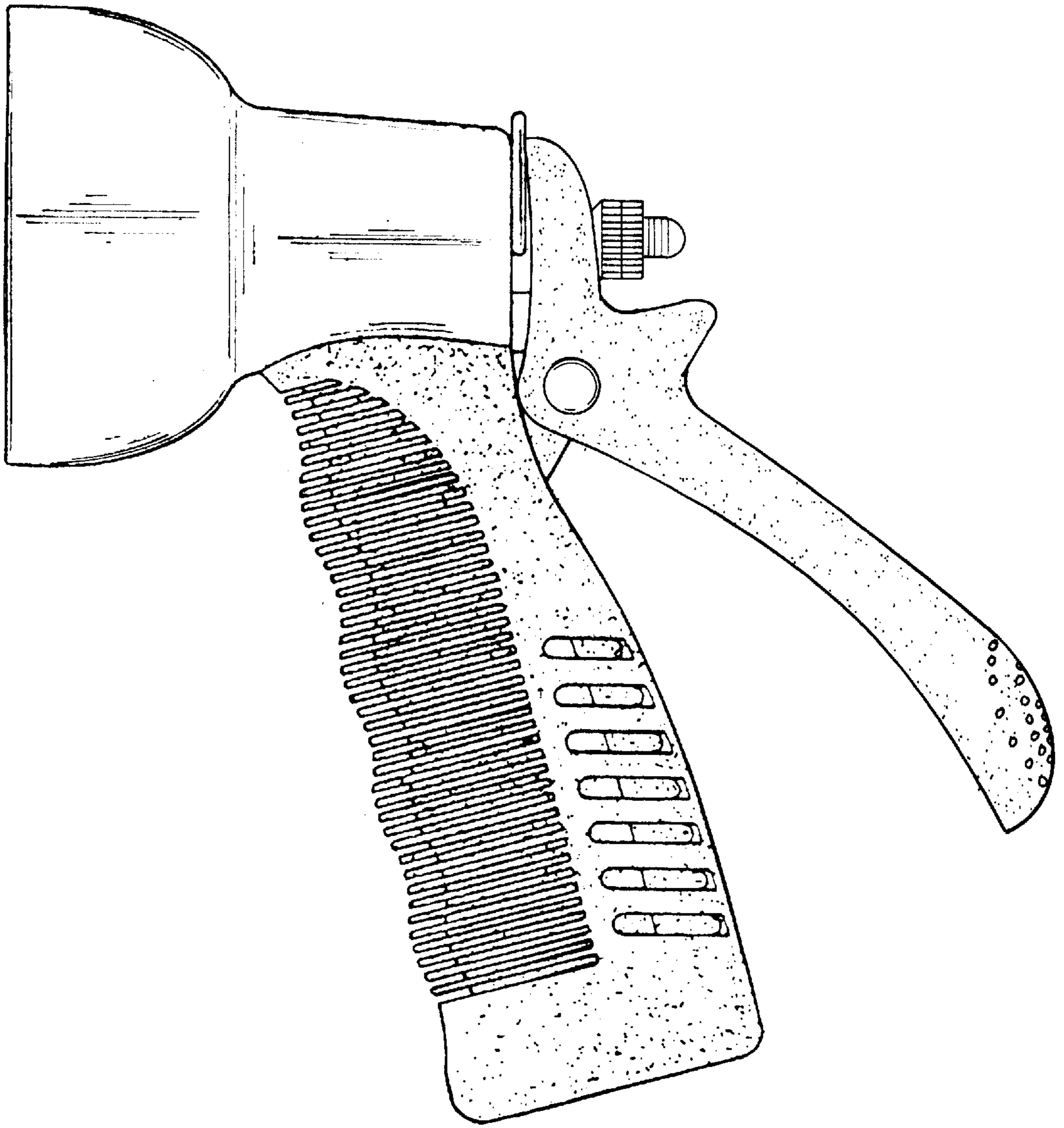


FIG. 5

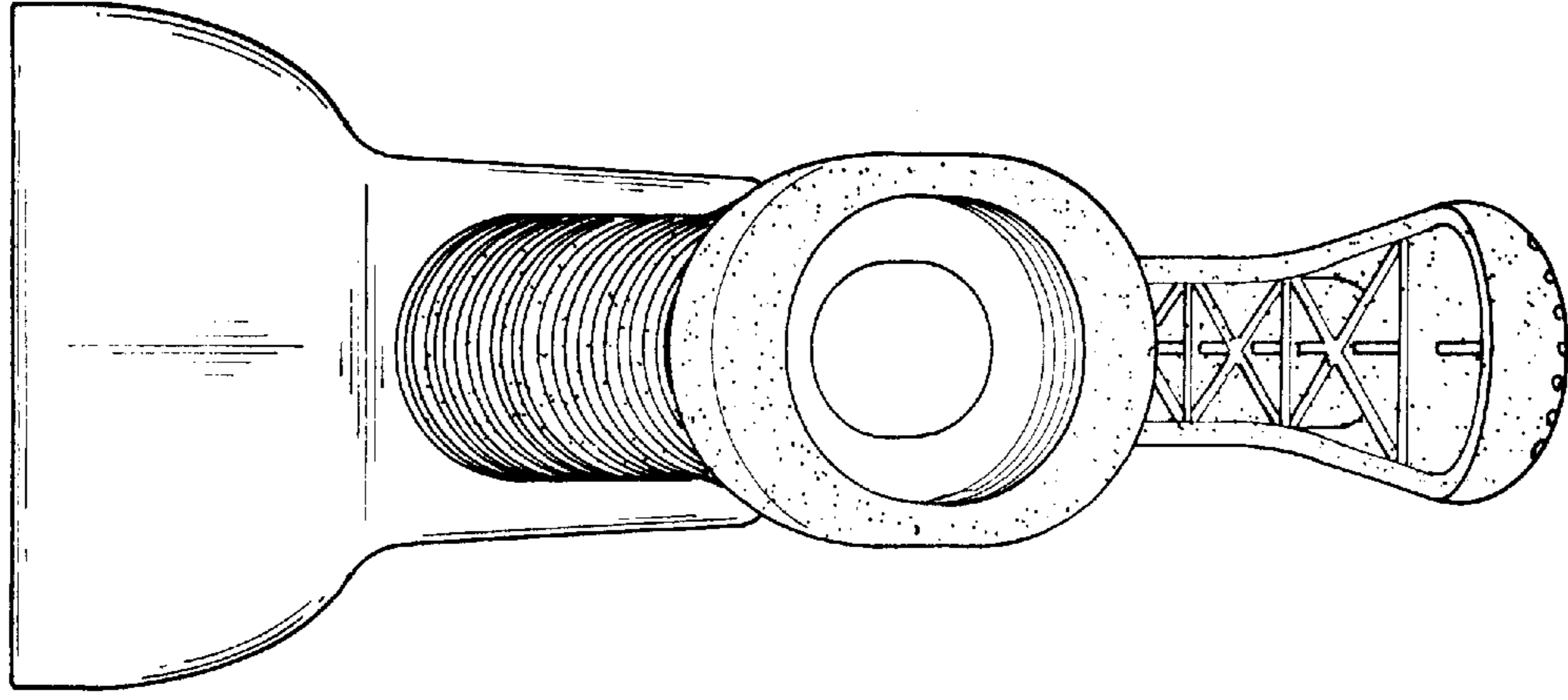


FIG. 7

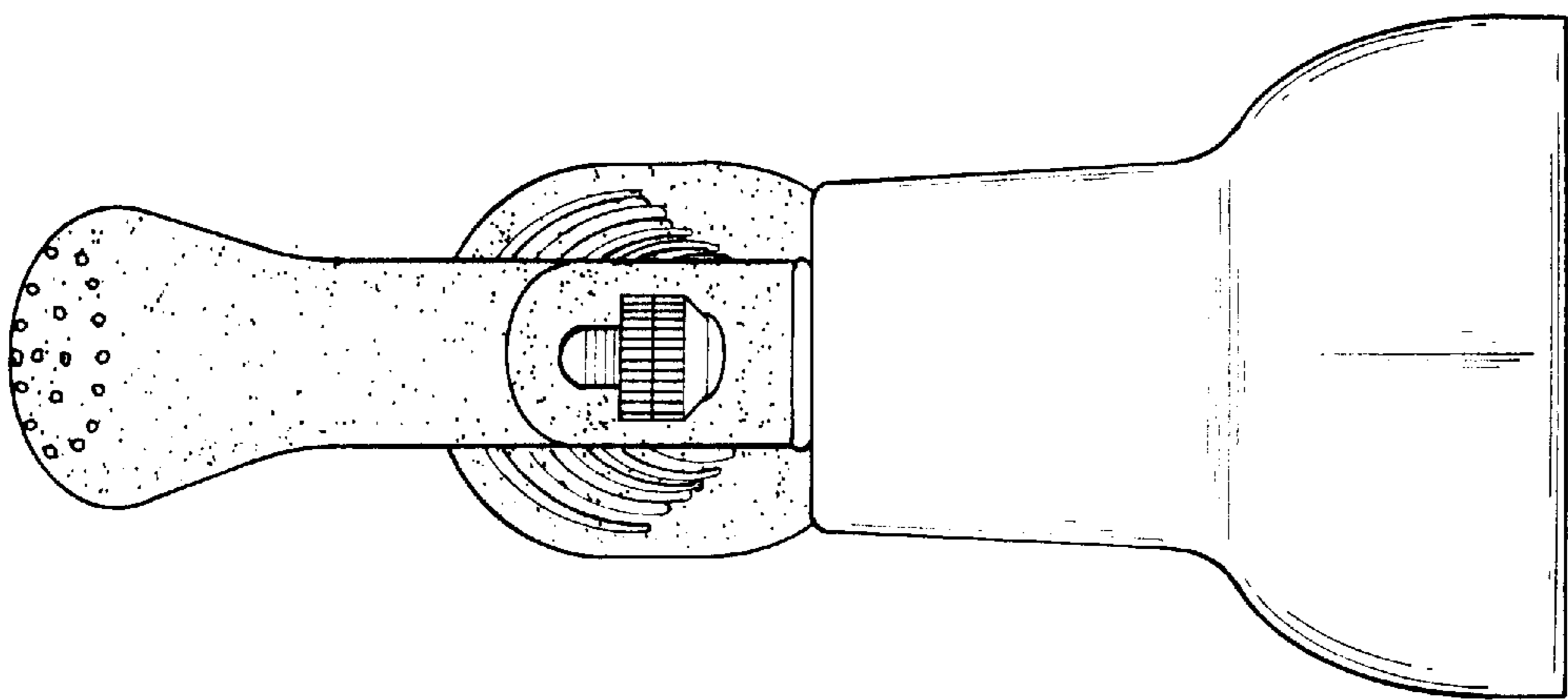


FIG. 6