

US00D409271S

United States Patent [19] Norton

[11] **Patent Number: Des. 409,271**

[45] **Date of Patent: ** May 4, 1999**

[54] **FISHING LURE**

[75] Inventor: **Don S. Norton**, Clinton, Miss.

[73] Assignee: **United Plastic Molders, Inc.**, Jaskson, Miss.

[**] Term: **14 Years**

[21] Appl. No.: **29/077,457**

[22] Filed: **Oct. 6, 1997**

[51] **LOC (6) Cl. 22-05**

[52] **U.S. Cl. D22/126; D22/144**

[58] **Field of Search D22/126-133, D22/144; 43/43.16, 44.83, 42.25, 42.28, 42.21, 42.11, 42.31, 42.06, 42.53, 44.81, 42.37, 42.48, 42.35, 42.39, 42.34**

[56] **References Cited**

U.S. PATENT DOCUMENTS

D. 278,926	5/1985	Bagley	D22/128
2,255,793	9/1941	Kridler	43/42.28
2,775,842	1/1957	McCode	43/44.81
2,910,800	11/1959	Cicala	43/42.37
3,177,605	4/1965	Segal	43/42.28
3,518,784	7/1970	Kling et al.	43/44.83

3,999,326	12/1976	Wolf	43/44.81
4,163,337	8/1979	Kress	43/42.5
4,554,756	11/1985	Thomas	43/42.06
4,796,378	1/1989	Krueger et al.	43/43.2
4,848,018	7/1989	Clarke	43/44.83
5,524,385	6/1996	Longo	43/43.16

Primary Examiner—Doris V. Coles
Attorney, Agent, or Firm—Nixon & Vanderhye P.C.

[57] **CLAIM**

The ornamental design for a “fishing lure”, as shown and described.

DESCRIPTION

FIG. 1 is a bottom perspective view of a fishing lure, showing my new design, the broken line showing of environment being for illustrative purposes only and forming no part of claimed design;
FIG. 2 is a top plan view thereof;
FIG. 3 is a bottom plan view thereof;
FIG. 4 is a front end elevation view thereof;
FIG. 5 is a rear end elevation view thereof; and,
FIG. 6 is a right side elevational view, the left side being a mirror image thereof.

1 Claim, 4 Drawing Sheets

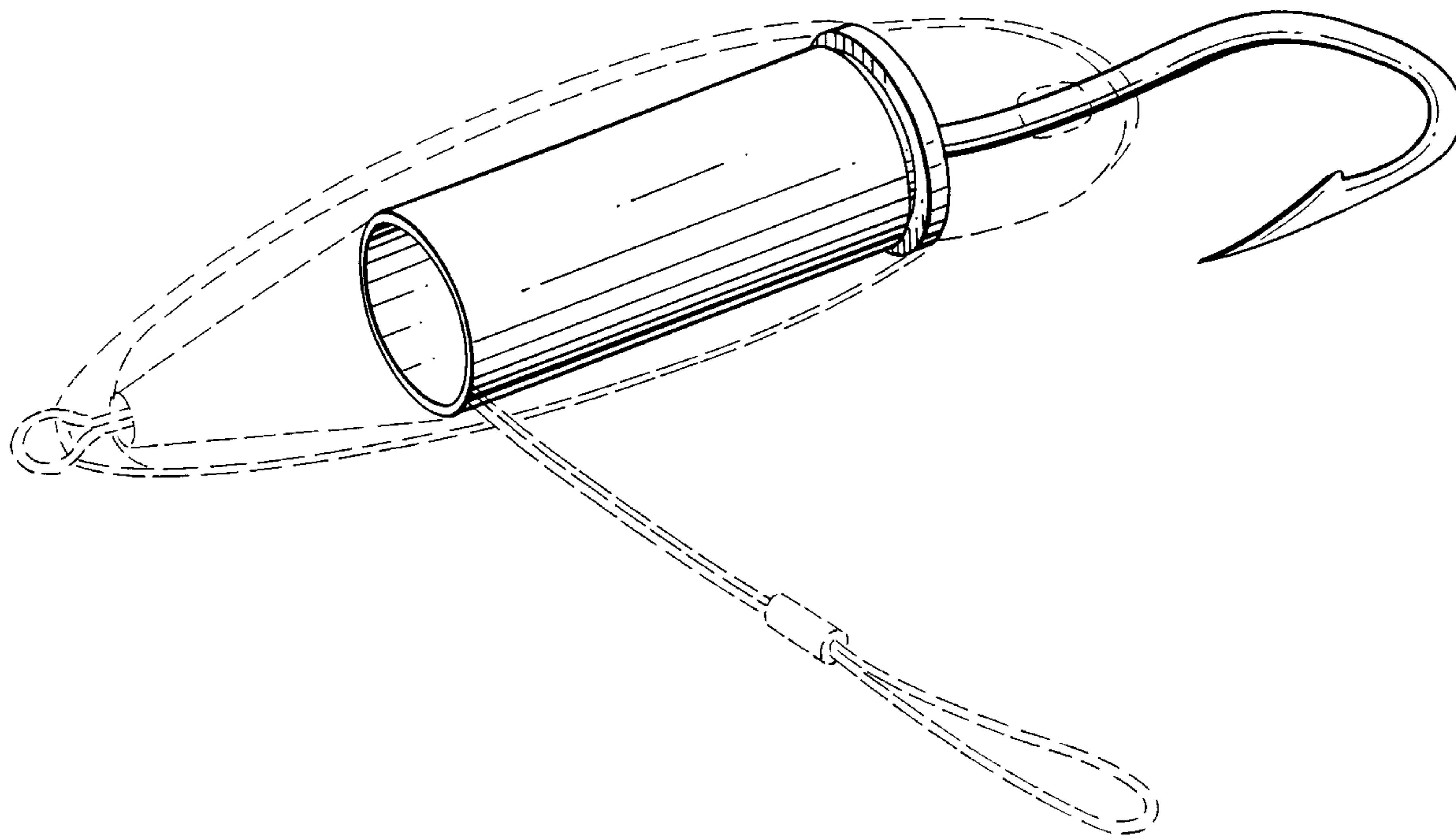


Fig. 1

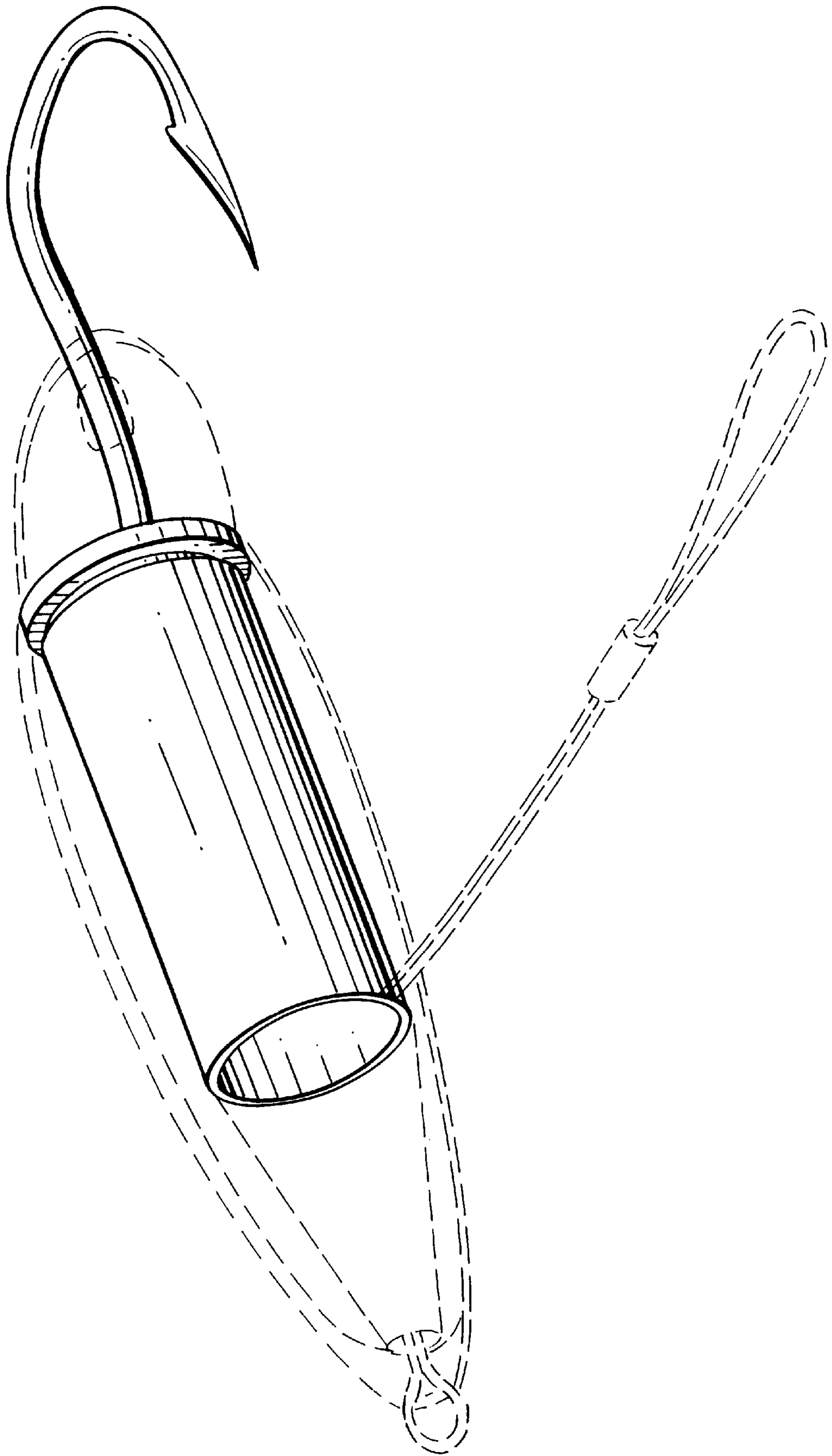


Fig. 2

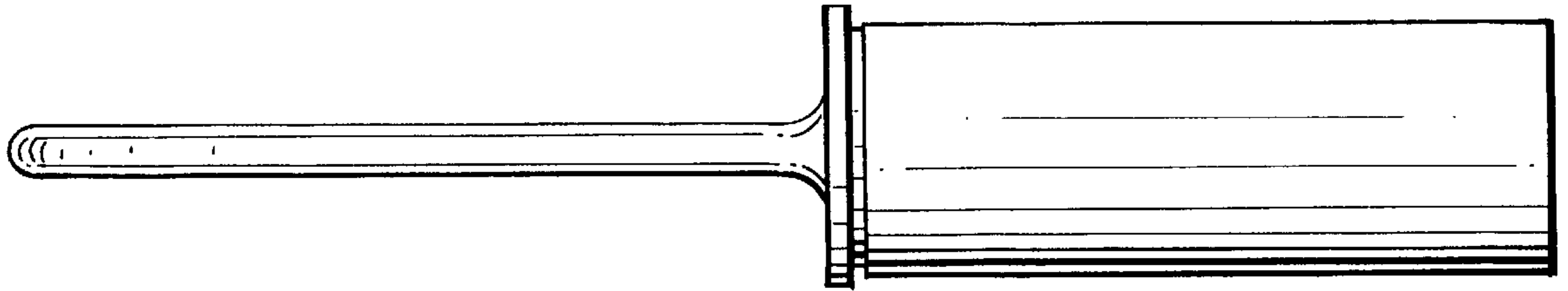


Fig. 3

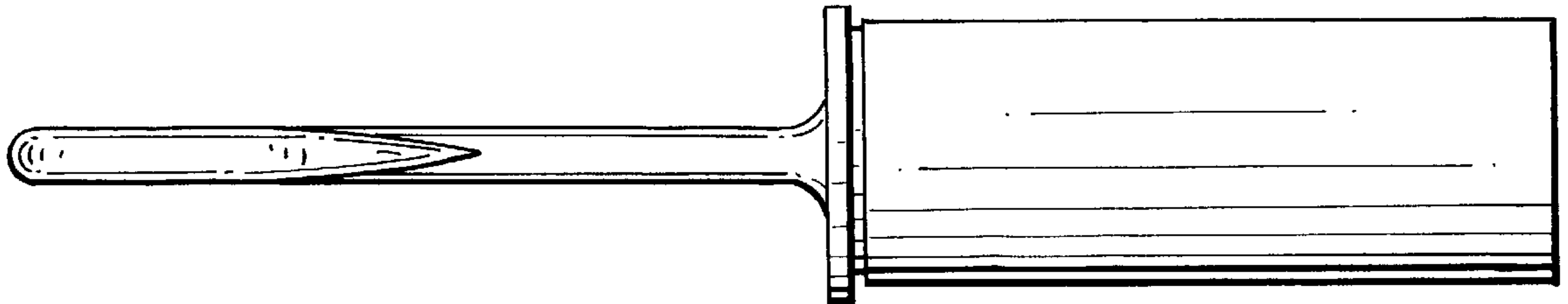


Fig. 4

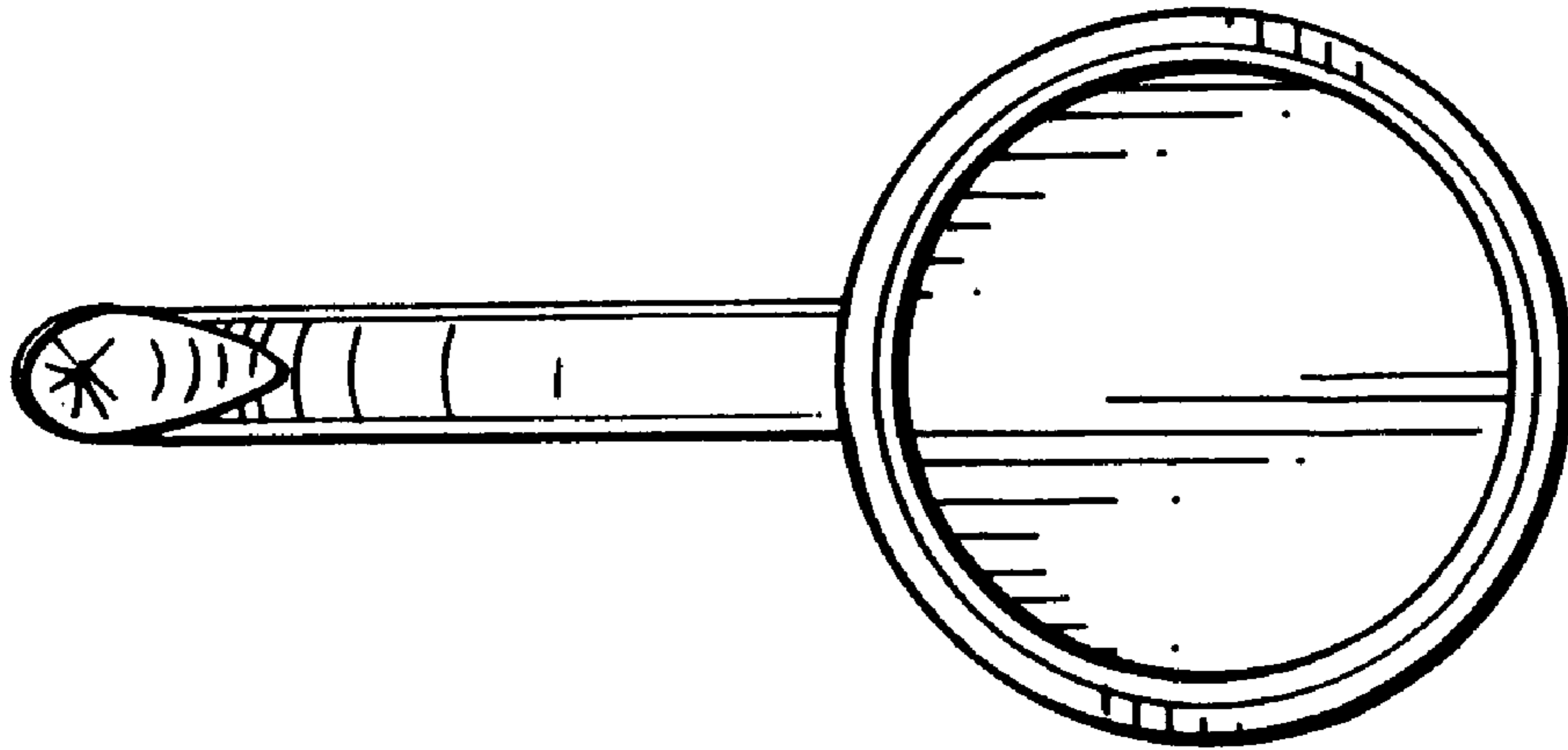


Fig. 5

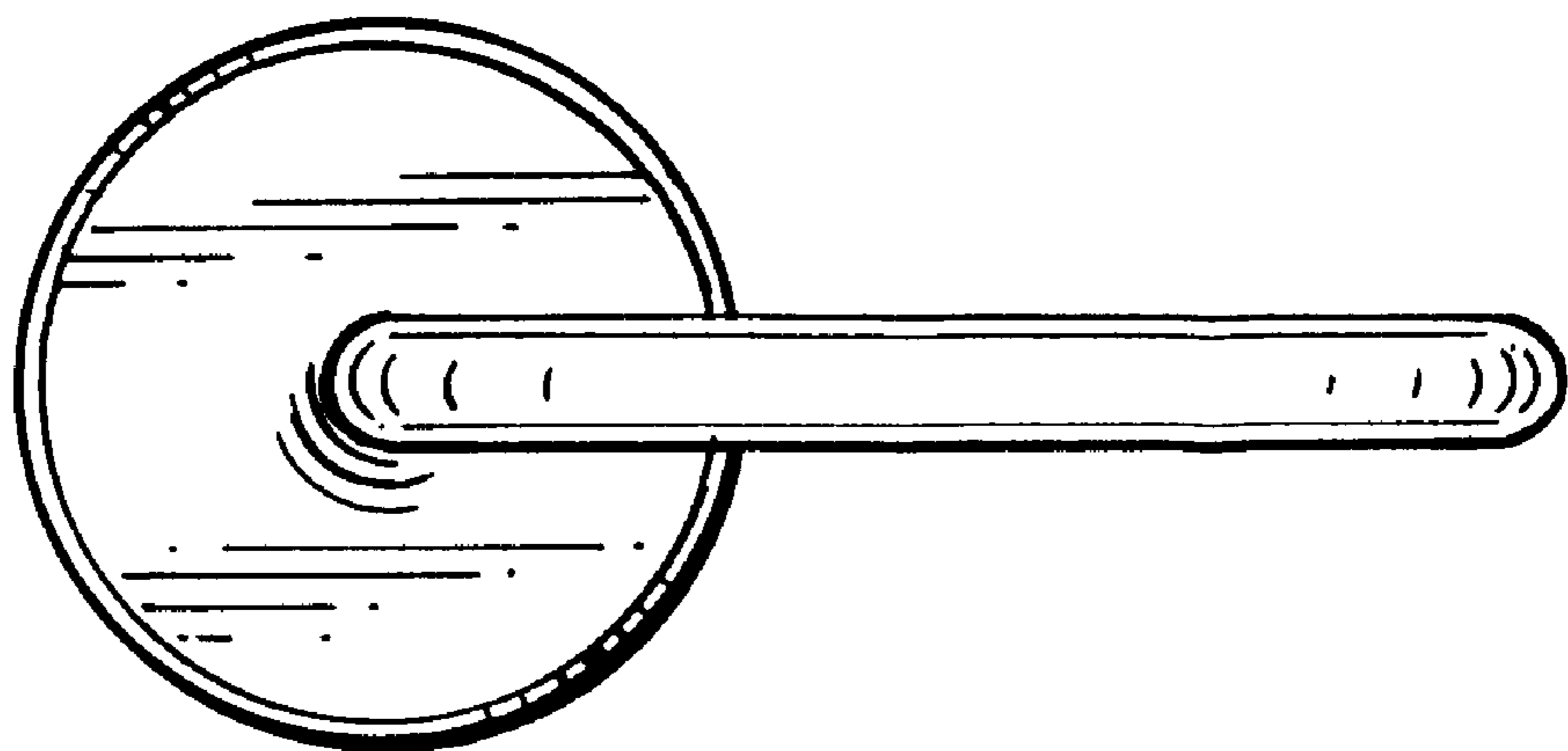


Fig. 6

